

EN ACCESSORIES
F ACCESSOIRES
NL TOEBEHOREN
D ZUBEHÖR
I ACCESSORI
E ACCESORIOS
P ACESSÓRIOS

- | | |
|--|---|
| <p> EN Holding tool 00063
 F Outil de maintien
 NL Blokkeerpen
 D Haltewerkzeug
 I Attrezzo di bloccaggio
 E Herramienta sujetadora
 P Acessório de suporte </p> | <p> EN Ignition Test Spark Plug JA-31316-4
 F Testeur d'allumage
 NL Bougie voor ontstekingscontrole
 D Testzündkerze für Zündprüfung
 I Candela di collaudo
 E Bujía para probar el encendido
 P Vela de ensaio da ignição </p> |
| <p> EN Grease, Multi-Purpose 18453
 F Graisse universelle
 NL Universeel vet
 D Mehrzweck-Schmiermittel
 I Grasso, multiuso
 E Grasa universal
 P Lubrificante, para fins múltiplos </p> | <p> EN Rubber Tubing (10 ft) (3,05 m) 94772-99
 F Tubes en caoutchouc (3,05 m)
 NL Rubber slang (3,05 m)
 D Gummirohr (3,05 m)
 I Dotto di gomma (3,05 m)
 E Tubo de caucho (3,05 m)
 P Tubo de borracha (3,05 m) </p> |
| <p> EN Carburetor Repair Tool 17789
 F Outil de réparation de carburateur
 NL Reparatiegereedschap voor carburateur
 D Vergaser-Reparaturwerkzeug
 I Attrezzo di riparazione del carburatore
 E Herramienta de reparación del carburador
 P Ferramenta de reparação do carburador </p> | <p> EN Starter Rope (250 ft Reel) (76 m) 98052-A
 F Cordon de lanceur (bobine de 76 m)
 NL Startkoord (spoel met 76 m)
 D Starterseil (76 m Spule)
 I Corda d'avviamento (bobina da 76 m)
 E Cuerda de arranque (carrete de 76 m)
 P Cabo do arrancador (rolo de 75 m) </p> |
| <p> EN Thread Locking Compound 23488-C
 F Produit de blocage de filetage
 NL Borgmiddel voor schroefdraden
 D Gewinde-Sicherungsmasse
 I Composto di bloccaggio della filettatura
 E Pasta selladora de roscas
 P Composto de retenção de roscas </p> | <p> EN Torx Drive Bit T25 24982-01
 F Foret torx
 NL Torx-drijfbit
 D Torx-Antriebsbit
 I Punta Torx Drive
 E Broca de empuje Torx
 P Broca accionadora Torx </p> |
| <p> EN Shim (.125") (3,17 mm) 24306
 F Cale (3,17 mm)
 NL Afstandsbus (3,17 mm)
 D Distanzscheibe (3,17 mm)
 I Spessore (3,17 mm)
 E Suplemento (3,17 mm)
 P Calço (3,17 mm) </p> | <p> EN Torx Bit (for clutch drum) T25 24982-03
 F Foret torx (pour tambour d'embrayage)
 NL Torx drijfbit (voor koppelingstrommel)
 D Torx-Antriebsbit (für Kupplungstrommel)
 I Punta Torx Drive (per il tamburo della frizione)
 E Broca de empuje Torx (tambor del embrague)
 P Broca Torx (para o tambor da embraiagem) </p> |
| <p> * EN Grass Anti Wrap Kit A-04191
 F Nécessaire anti-enroulement d'herbe
 NL Apparaatje om te voorkomen dat gras zich rond de aandrijfjas wikkelt
 D Gräserückhalter
 I Kit antiavvolgimento d'erba
 E Dispositivo contra la acumulación de pasto
 P Dispositivo contra a acumulação de relva </p> | |

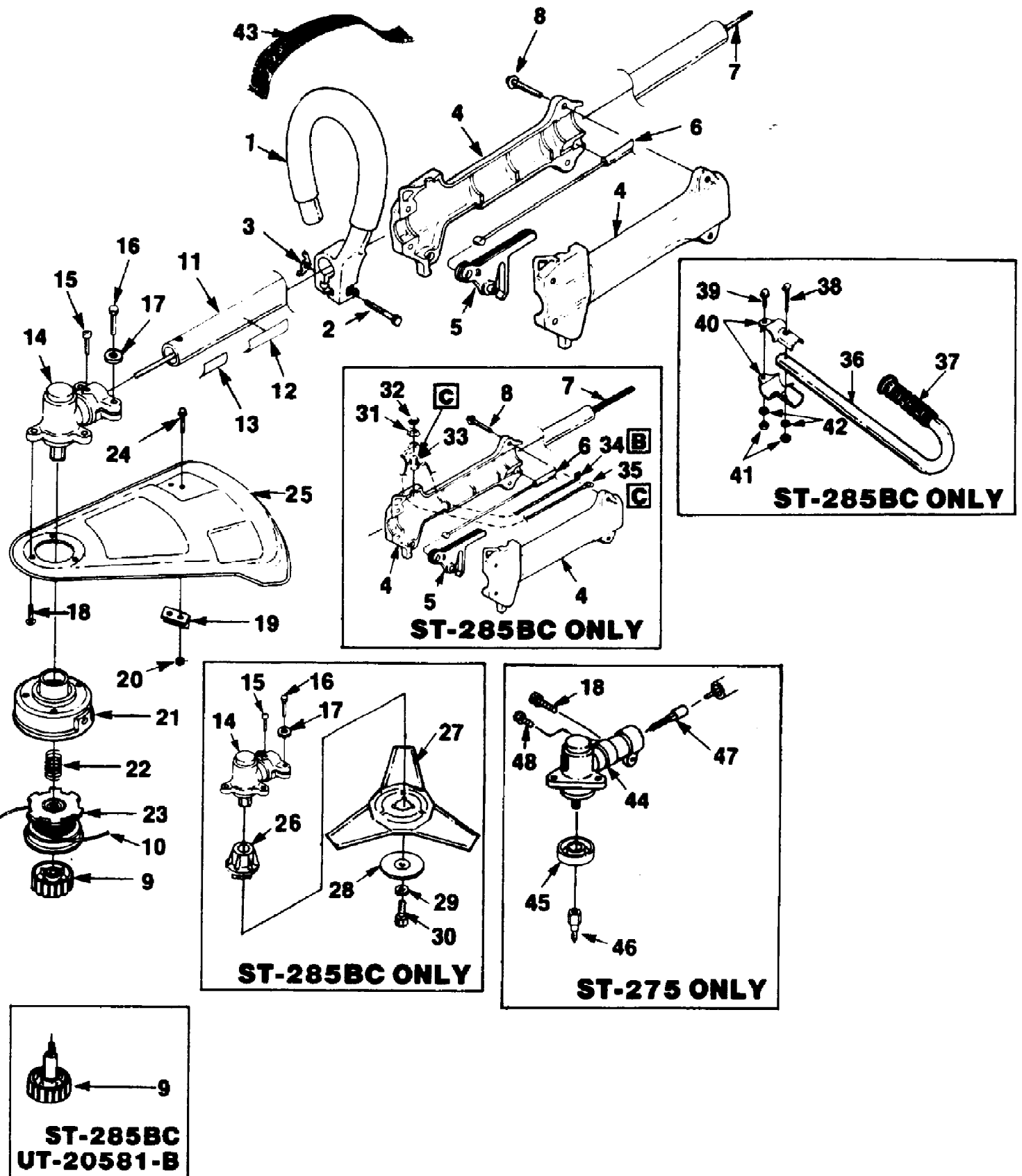
*ST-145, ST-155, ST-175, ST-175C, ST-175BC, HGT, GST.

ST285 String Trimmer UT-20567
Accessories

Page 2 of 13

Ref #	Part Number	Qty	S/P/F	Description
00063	00063	1	S/P	Holding tool
18453	18453	1	/P	Grease, Multi-Purpose
17789	17789	1	S	Carburetor Repair Tool
23488C	23488C	1		Thread Locking Compound
24306	24306	1	S	Shim (.125") (3.17 mm)
A-04191	A04191	1		Grass Anti Wrap Kit ST-145, ST-155, ST-175, ST-175C, ST-175BC, HGT, GST
JA313164	JA313164	1		Ignition Test Spark Plug
9477299	9477299	1	/P	Rubber Tubing (10 ft.) (3.05 m)
98052-A	98052A	1	/P	Starter Rope (250 ft. Reel) (76 m)
2498201	2498201	1		Torx Drive Bit T25
24982-03	2498203	1	S	Torx Bit (for clutch drum) T25

ST285 String Trimmer UT-20567
 Boom & Head I



ST285 String Trimmer UT-20567
Boom & Head I

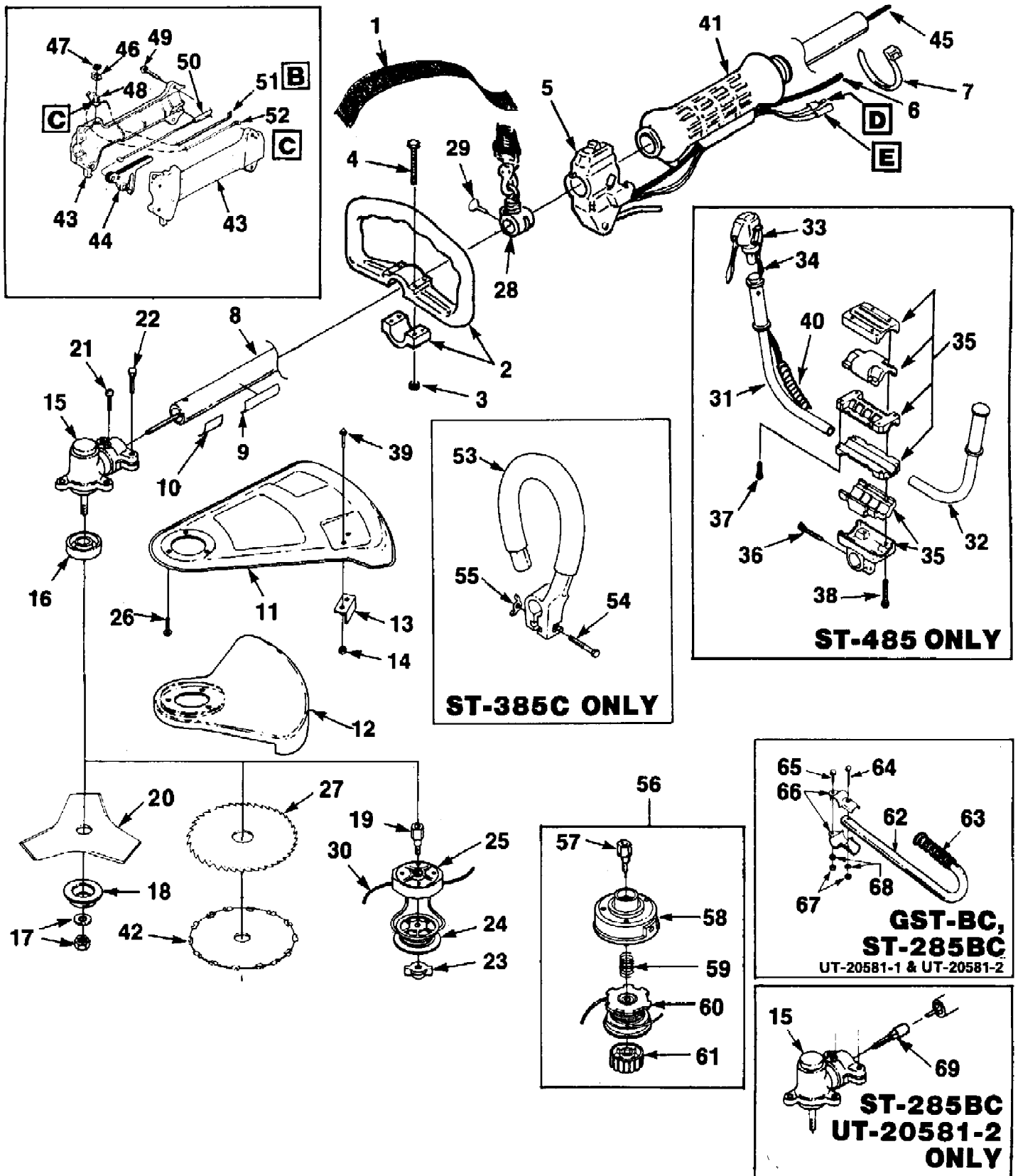
Page 4 of 13

Ref #	Part Number	Qty	S/P/F	Description
1	A98525	1		HANDLE- Front
2	80295	1	/P	SCREW (1/4-20 x 2")
3	93992	1	/P	NUT- Wing
4	A00879	1	/P	HANDLE GRIP ASSEMBLY
5	98772A	1	S	TRIGGER
6	A03006	1	/P	CABLE- Throttle
7	98818	1	/P	SHAFT- Flexible (ST-285 & ST-285BC)
	04167	1		SHAFT- Flexible (ST-275)
8	82368	5	S	SCREW- Plastite (#8 x 3/4")
9	A98866A	1	S/P	RETAINER- Spool (R.H.) (ST-285)
	A02781	1		RETAINER- Spool (ST-285 BC UT-20581-B)
	A97910	1		RETAINER- Spool (L.H.) (ST-275)
10	DA97952B	1	S	LINE- Replacement (.080 Dia.) (100 Ft.)
11	A00113B	1		HOUSING- Driveshaft
12	989231	1		DECAL- Starting Instructions
13	00308	1		DECAL- Warning
	A00090	1		HOUSING- Drive shaft (ST-275)
	04154	1		DECAL- Warning
	989231	1		DECAL- Starting Instructions
14	A98859	1		GEAR HEAD ASSEMBLY (ST-285)
	A988591A	1		GEAR HEAD ASSEMBLY (ST-285BC)
15	88048	1	S	SCREW- (10-24 x 3/8")
16	82521	2	S	SCREW- (10-24 x 1")
17	83046	2		LOCKWASHER
18	88048	3	S	SCREW- (10-24 x 3/8")
	88049	4	/P	SCREW- (10-24 x 1/2") (ST 275)
19	00074	1	S	BLADE- Cut-off (ST-285 & ST-285BC)
	00075	1	S	BLADE- Cut-off (ST-275)
20	81208	2	/P	NUT (10-24)
21	A98231A	1	S/P	HOUSING & EYELET (Dual Line)
22	98848	1	S	SPRING- Compression
23	DA98912C	1		SPOOL & STRING (Dual Line)
24	80869	2	/P	SCREW (10-24 x 3/8")
25	988461	1		DEFLECTOR- Grass
26	02617	1		ADAPTOR
27	02616	1		BLADE- Weed
28	00580	1		WASHER- Cupped
29	83030	1		WASHER
30	80085	1	/P	SCREW- (5/16-18 x 1")
31	95231	1	S	PLATE- Indicating
32	72084A1	1	S	NUT
33	93653	1	S	SWITCH- Toggle
34	A98918	1		LEAD- Electrical
35	A98919	1		LEAD- Ground
36	A02951	1		"J" HANDLE
37	94474B	1	/P	GRIP
38	88071	1		SCREW- (1/4-20 x 1 1/2")
39	88078	1	/P	SCREW- (1/4-20 x 1")
40	00422	2	S/P	CLAMP- Handle bar
41	81267	2	/P	NUT- (1/4-20)
42	83061	2	/P	WASHER (1/4")
43	DA92703B	1		HARNESS w/CONNECTOR
44	A03887	1		GEAR HEAD ASSY. (ST-275)

ST285 String Trimmer UT-20567
Boom & Head I

Page 5 of 13

Ref #	Part Number	Qty	S/P/F	Description
45	04168	1		WASHER- Flange
46	9855141	1	/P	ADAPTOR- Shaft
47	04256	1		ADAPTOR- Drive
48	82586	1	/P	SCREW- (1/4-20 x 7/8")



ST285 String Trimmer UT-20567
Boom & Head II

Page 7 of 13

Ref #	Part Number	Qty	S/P/F	Description
1	DA92703B	1		HARNESSESS w/CONNECTOR
2	A00736	1		HANDLE (ST-385)
3	00677	4	/P	NUT (ST-385)
4	00676	4	/P	SCREW (ST-385)
5	A00738	1	S	THROTTLE & SWITCH w/Lead (ST-385)
6	A03004	1	/P	THROTTLE CABLE (ST-385 & ST-385C)
7	46840	3	/P	CABLE- Tie
8	A00114	1		HOUSING- Drive Shaft (ST-385, ST-385C, ST-485)
9	989241	1		DECAL- Starting Instructions
10	02985	1	S	DECAL- Warning
	A034881	1	S	HOUSING- Drive Shaft (GST-BC & ST-285BC UT20581-1)
	989241	1		DECAL- Starting Instructions
	02985	1	S	DECAL- Warning
	A94442	1	/P	BRACKET- Hanger (See #28)
	82260	1	/P	SCREW- Thumb (See #29)
	98832	1	/P	SHAFT- Drive (See #45)
	A00187	1		HOUSING- Drive Shaft (ST-285BC, UT-20581-2)
	989241	1		DECAL- Starting Instructions
	02985	1	S	DECAL- Warning
	04167	1		SHAFT- Flexible (See #45)
11	988461	1		DEFLECTOR- Grass
12	988472	1	/P	GUARD- Blade
13	00075	1	S	BLADE- Cut-off
14	81208	2	/P	NUT (10-24)
15	A03887	1		GEAR HEAD ASSEMBLY
16	0043606	1		WASHER- Flange
17	04277	1	/P	NUT- Hex (L.H.)
18	04259	1	/P	WASHER- Flange
19	00490	1	/P	CONNECTOR- Drive
20	D98717A	1	S	TRI-ARC BLADE
21	88049	1	/P	SCREW (10-24 x 1/2")
22	88053	2	S	SCREW (10-24 x 1")
23	812721	1	/P	NUT- (L.H.)
24	DA02598A	1		SPOOL & STRING (Dual Line)
	DA98912B	1		SPOOL & STRING (Dual Line) (GST-BC & ST-275BC)
25	A00144	1	S	HOUSING & EYELET
26	88049	3	/P	SCREW (10-24 x 1/2")
27	D98935A	1		BLADE- Saw (optional)
28	A94442	1	/P	BRACKET- Hanger
29	82260	1	/P	SCREW (10-24 x 1/2")
30	0395903	1	S	LINE- Replacement (.095 Dia.) 1 lb. Box (250 Ft.)
	DA97952B	1	S	LINE- Replacement (.080 Dia.) (100 Ft.) (GST-BC & ST-285BC)
31	A00590	1	/P	HANDLE BAR (ST-485)
32	A00591	1	/P	HANDLE BAR (ST-485)

Ref #	Part Number	Qty	S/P/F	Description
33	A00593	1	/P	THROTTLE & SWITCH w/lead (ST-485)
34	A03005	1	S/P	THROTTLE CABLE (ST-485)
35	A00592	1		HANDLE BRACKET (ST-485)
36	00605	1	/P	SCREW
37	00606	4	S	SCREW
38	00607	4	S	SCREW
39	80869	2	/P	SCREW (10-24 x 3/8")
40	00684	1		SLEEVING- Plastic (ST-485)
41	03234	1		GRIP- Handle
42	DA00714A	1		BLADE- Saw 7" Machete (optional)
43	A00879	1	/P/F	HANDLE GRIP ASSEMBLY
44	98772A	1	S/F	TRIGGER
45	98832	1	/P	DRIVE SHAFT (Solid)
	04167	1		SHAFT- Flexible (ST-285BC, UT-20581-2)
46	95231	1	S/F	PLATE- Indicating
47	72084A1	1	S/F	NUT-
48	93653	1	S/F	SWITCH- Toggle
49	82368	4	S/F	SCREW- Plastite (#8 x 3/4")
50	A03006	1	/P/F	CABLE- Throttle
51	A98918	1	F	LEAD- Electrical
52	A98919	1	F	LEAD- Ground
53	A98525	1		HANDLE & PAD (ST-385C)
54	80295	1	/P	SCREW- Hex hd. (ST-385C)
55	93992	1	/P	NUT- Wing (ST-385)
56	A03174	1		CONVERSION KIT
57	9855141	1	/P	CONNECTOR- Drive (ST-385BC & ST-485)
58	A98231A	1	S/P	HOUSING & EYELET (ST-385C & ST-485)
59	98848	1	S	SPRING- Compression (ST-385C & ST-485)
60	DA02598A	1		SPOOL & STRING (ST-385C & ST-485)
61	A97910A	1	S/P	RETAINER (ST-385C & ST-485)
62	A03552	1	S	HANDLE-"J" (GST-BC & ST-285BC)
63	94474B	1	/P	GRIP (GST-BC & ST-285BC)
64	88071	1		SCREW(1/4-20 x 1 1/2") (GST-BC & ST-285BC)
65	88078	1	/P	SCREW (1/4-20 x 1") (GST-BC & ST-285BC)
66	00422	2	S/P	CLAMP- Handle bar (GST-BC & ST-285BC)
67	81267	2	/P	NUT (1/4-20) (GST-BC & ST-285BC)
68	83061	2	/P	WASHER (1/4") (GST-BC & ST-285BC)
69	04256	1		ADAPTOR (ST-285BC, UT-20581-2)

GB CARBURETOR
F CARBURATEUR
NL CARBURATEUR
D VERGASER
I CARBURATORE
E CARBURADOR
P CARBURADOR

GB ZAMA A-03003

GB Repair Kit A-03979

F Jeu de réparation

NL Reparatieset

D Reparatursatz

I Kit per riparazioni

E Juego de reparación

P Jogo de reparação

GB Gasket/Diaphragm Kit A-03980

F Jeu joint/diaphragme

NL Pakking/membraan set

D Dichtung/Membrane-Satz

I Kit diaframma/guarnizione

E Conjunto junta/diafragma

P Jogo de juntas vedantes/diafragmas

GB Primer Bulb A-01195-A

F Bouton d'amorçage

NL Voorinspuitpomp

D Vorpumpe

I Cicchetto

E Bulbo cebador

P Bolha da unidade de escorvagem

GB Primer Base* (Aluminium) A-01194

Primer Base* (Plastic) A-03062

F Base d'amorçage* (aluminium)

Base d'amorçage* (plastique)

NL Voorinspuit-sokkel* (aluminium)

Voorinspuit-sokkel* (plastic)

D Vorpumpen-Sockel* (Aluminium)

Vorpumpen-Sockel* (Plastik)

I Base del cicchetto* (alluminio)

Base del cicchetto* (plastica)

E Base de cebador* (aluminio)

Base de cebador* (plástico)

P Base da unidade de escorvagem* (Alumínio)

Base da unidade de escorvagem* (Plástico)

GB *Primer Base kits are not interchangeable.

F *Les jeux de base d'amorçage ne sont pas interchangeables.

NL *Sokkel-sets voor voorinspuiten zijn niet verwisselbaar.

D *Sockelsätze für die Vorpumpe sind nicht austauschbar.

I *I kit della base del cicchetto non sono intercambiabili.

E *Los juegos de base de cebador no son intercambiables.

P *Os jogos de base da unidade de escorvagem não são intercambiáveis.

GB Swivel Kit A-00289

F Jeu de pivots

NL Zwenkset

D Drehzapfen-Satz

I Serie di ingranaggi girevoli

E Juego de enganche giratorio

P Jogo da rótula

GB WALBRO A-03002

GB Repair Kit A-02665

F Jeu de réparation

NL Reparatieset

D Reparatur-Satz

I Kit di riparazione

E Juego de reparación

P Jogo de reparação

GB Gasket/Diaphragm Kit A-00285-A

F Jeu joint/diaphragme

NL Pakking/membraan set

D Dichtung/Membrane-Satz

I Kit diaframma/guarnizione

E Conjunto junta/diafragma

P Jogo de juntas vedantes/diafragmas

GB Swivel Kit A-00289

F Jeu de pivots

NL Zwenkset

D Drehzapfen-Satz

I Serie di ingranaggi girevoli

E Juego de enganche giratorio

P Jogo da rótula

GB Primer Bulb 01201

F Bouton d'amorçage

NL Voorinspuitpomp

D Vorpumpe

I Cicchetto

E Bulbo cebador

P Bolha da unidade de escorvagem

GB Primer Base* A-01200-A

F Base d'amorçage*

NL Voorinspuit-sokkel*

D Vorpumpen-Sockel*

I Base del cicchetto*

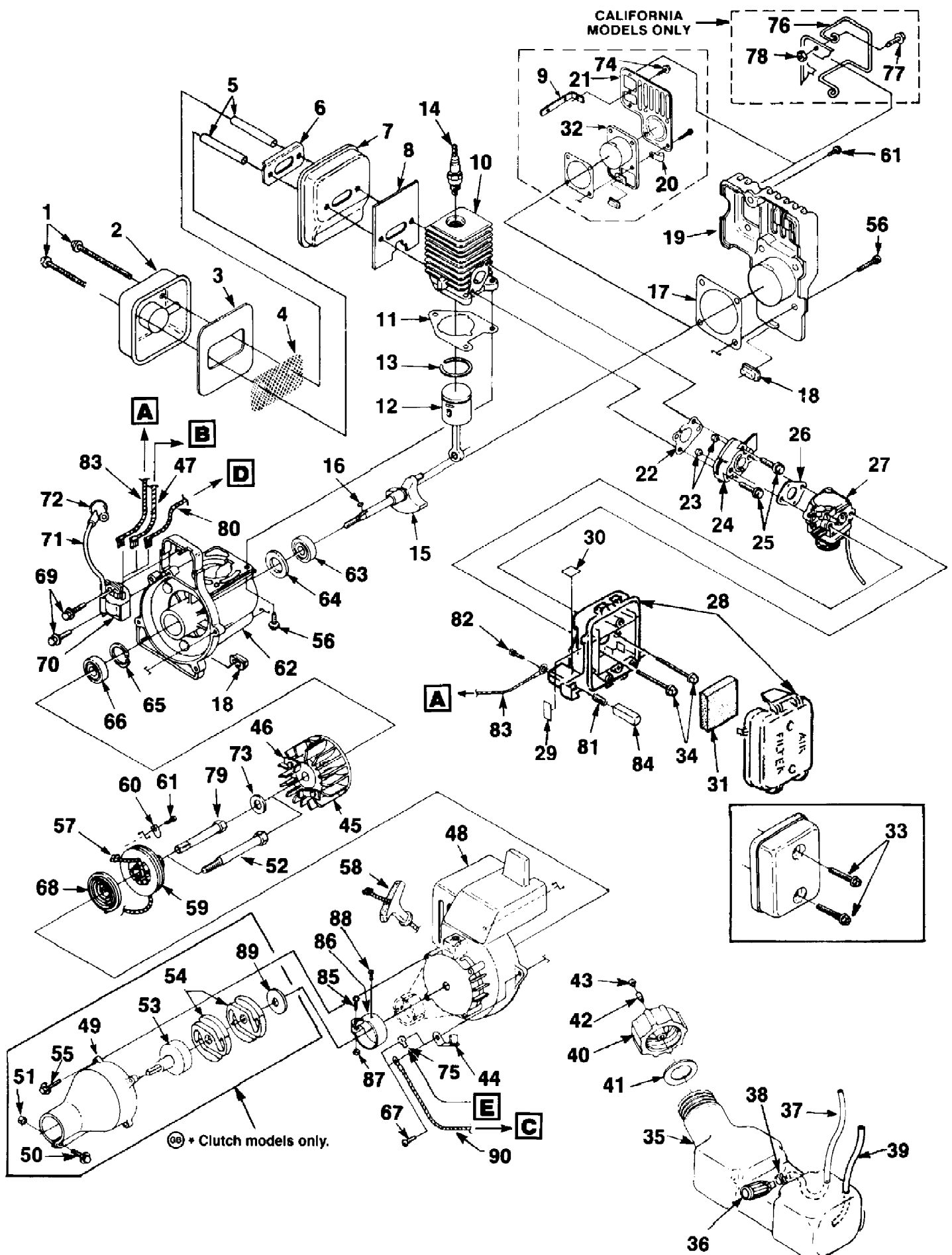
E Base de cebador*

P Base da unidade de escorvagem*

ST285 String Trimmer UT-20567
Carburetor

Page 10 of 13

Ref #	Part Number	Qty	S/P/F	Description
A-03003	A03003	1		ZAMA
A-03979	A03979	1		Repair Kit
A-03980	A03980	1		Gasket/Diaphragm Kit
A-01195-A	A01195A	1	S	Primer Bulb
A-01194	A01194	1		Primer Base (Aluminum) Primer Base kits are not interchangeable.
A-03062	A03062	1		Primer Base (Plastic) Primer Base kits are not interchangeable.
A-00289	A00289	1		Swivel Kit
A-03002	A03002	1		WALBRO
A-02665	A02665	1		Repair Kit
A00285A	A00285A	1		Gasket/Diaphragm Kit
A-00289	A00289	1		Swivel Kit
01201	01201	1	S	Primer Bulb
A-01200-A	A01200A	1		Primer Base



Ref #	Part Number	Qty	S/P/F	Description
1	88060	2	S/P	SCREW- (10-24 x 2 1/2")
2	A98780	1	S	COVER- Muffler
3	98782	1	S	BAFFLE- Muffler
4	98784A	1		SCREEN- Spark
5	98860A	2	S	SPACER- Muffler
6	98783	1	/P	PLATE- Reinforcing
7	A01323	1	S	BODY- Muffler
8	98786B	1		GASKET- Muffler
9	00179	1	F	BRACKET-
10	A00108	1		CYLINDER
11	03703A	1	S	CYLINDER- Gasket
12	A01036A	1	/P	PISTON & ROD ASSEMBLY
13	96935	1	S	RING- Piston
14	96169S	1	S	SPARK PLUG (DJ7Y)
	79252	1	S	SPARK PLUG (RDJ7Y) (Int'l)
15	987582	1		CRANKSHAFT (Model 145 & 155)
	987583	1		CRANKSHAFT (Models 175,175C,175BC,185,185C,285,275,285BC,385)
16	69250	1	/P	KEY- Woodruff
17	98767A	1	/P	GASKET- Crankcase cover
18	98792	3	/P	BUMPER- Rubber
19	01023B	1	S	COVER- Crankcase
20	98752	1	F	CLAMP
21	98934	1	F	SHIELD
22	98765B	1	/P	GASKET- Heat dam
23	81208	2	/P	NUT (10-24)
24	98768	1	S	HEAT DAM
25	825491	2	S	SCREW- Taptite (10-24 x 1")
26	98766A	1	S/P	GASKET- Carburetor
27	A03003	1		CARBURETOR- (Zama)
	A03002	1		CARBURETOR- (Walbro)
28	A01440A	1	S	AIR FILTER BOX
29	00772	1		DECAL- Choke, Run
30	98943	1		DECAL- Push-Hold
31	D98760A	1		FILTER- Air
32	98754B	1	/P/F	COVER- Crankcase
33	82368	2	S/F	SCREW- Plastite (8 x 3/4")
34	82542	2	/P	SCREW (10-24 x 2 1/4")
35	A01441	1		TANK- Fuel
36	49422	1	S	FILTER- Fuel
37	9477232	1	S	TUBING- Rubber (8")
38	98268	1	S/P	WIRE CLAMP
39	0143932	1	S/P	TUBING- Rubber (8")
40	A00982A	1		FUEL CAP ASSEMBLY
41	98805A	1	/P	GASKET- Fuel cap
42	03134	1	S/P	VALVE- Duckbill
43	98913	1	S	FILTER-Cap
44	A98808	1		BRACKET-Cable
45	A95007	1	S	ROTOR
46	A70285E	1	/P	KIT- Starter pawl
47	A98918	1		LEAD- Electrical (Models 175BC,185,185C,285BC,385-UT-15040&UT10)

Ref #	Part Number	Qty	S/P/F	Description
48	A02576B	1		HOUSING- Engine (Clutch Models Only)
	A02575	1		HOUSING- Engine (Non-Clutch Models)
49	A02396A	1	/P	TUBE ADAPTOR
50	88054	1	S	SCREW (10-24 x 1 1/4")
51	81208	1	/P	NUT(10-24)
52	01547	1		ADAPTOR- Clutch (Clutch Models Only)
53	A02727	1	S	CONNECTOR & DRUM
54	00242	2	/P	CLUTCH
55	88052	4	/P	SCREW (10-24 x 7/8")
56	82538	3	/P	SCREW (10-24 x 3/4")
57	9789902	1	S/P	ROPE- Starter (42")
58	02264	1	S	GRIP- Starter
59	98770	1		PULLEY- Starter
60	98791	1	/P	BRACKET- Retaining
61	82541	2	/P	SCREW- Plastite (10 x 1/2")
62	A00107A	1		CRANKCASE ASSEMBLY
63	98797	1	/P	BEARING- Ball
64	98800	1	/P	SEAL
65	98799	1	/P	RING- Retaining
66	98798	1	S	BALL- Bearing
67	82538	5	/P	SCREW- Taptite (10-24 x 3/4")
68	A98773	1		SPRING & CONTAINER
69	82540	2	/P	SCREW- Taptite (8-32 x 1")
70	94711CS	1	/P	MODULE- Ignition
71	69326	1		LEAD- High-Tension
72	A33055	1	/P	TERMINAL- High-Tension
73	84065	1	S	WASHER- Flat (5/16") (Non-Clutch Models)
74	88077	1	S/F	SCREW- Hex sems (10-24 x 3/8")
75	02851	1	/P	TERMINAL (Models 385--UT15040B, UT15040C, & UT15040D) (Model 485)
76	A00254	1	S	WIRE GUARD KIT (California Models Only)
77	88049	2	/P	SCREW- Hex sems (10-24 x 1/2")
78	81208	2	/P	NUT- (10-24)
79	98795A	1	/P	CONNECTOR- Drive (Non Clutch Models)
80	A00681	1		LEAD- Electrical (Model 385--UT15040B, UT15040C, UT15040D & Model 485)
81	95020	1	S	SPRING- Compression
82	82513	1	/P	SCREW- Thread Forming
83	A98809	1	S	LEAD- Electrical (Models 145, 155, 175, 175C, 285, HGT & GST)
84	98769	1	/P	BUTTON- Switch
85	82268	1		SCREW- Hex sems (10-24 x 3/8")
86	98802A	1	S	CLAMP
87	97574	1		NUT- Square
88	82455	1		SCREW
89	98929A	1	S/P	WASHER- Clutch
90	A98919	1		LEAD- Ground (Models 185 & 385--UT15040 & UT15040A)