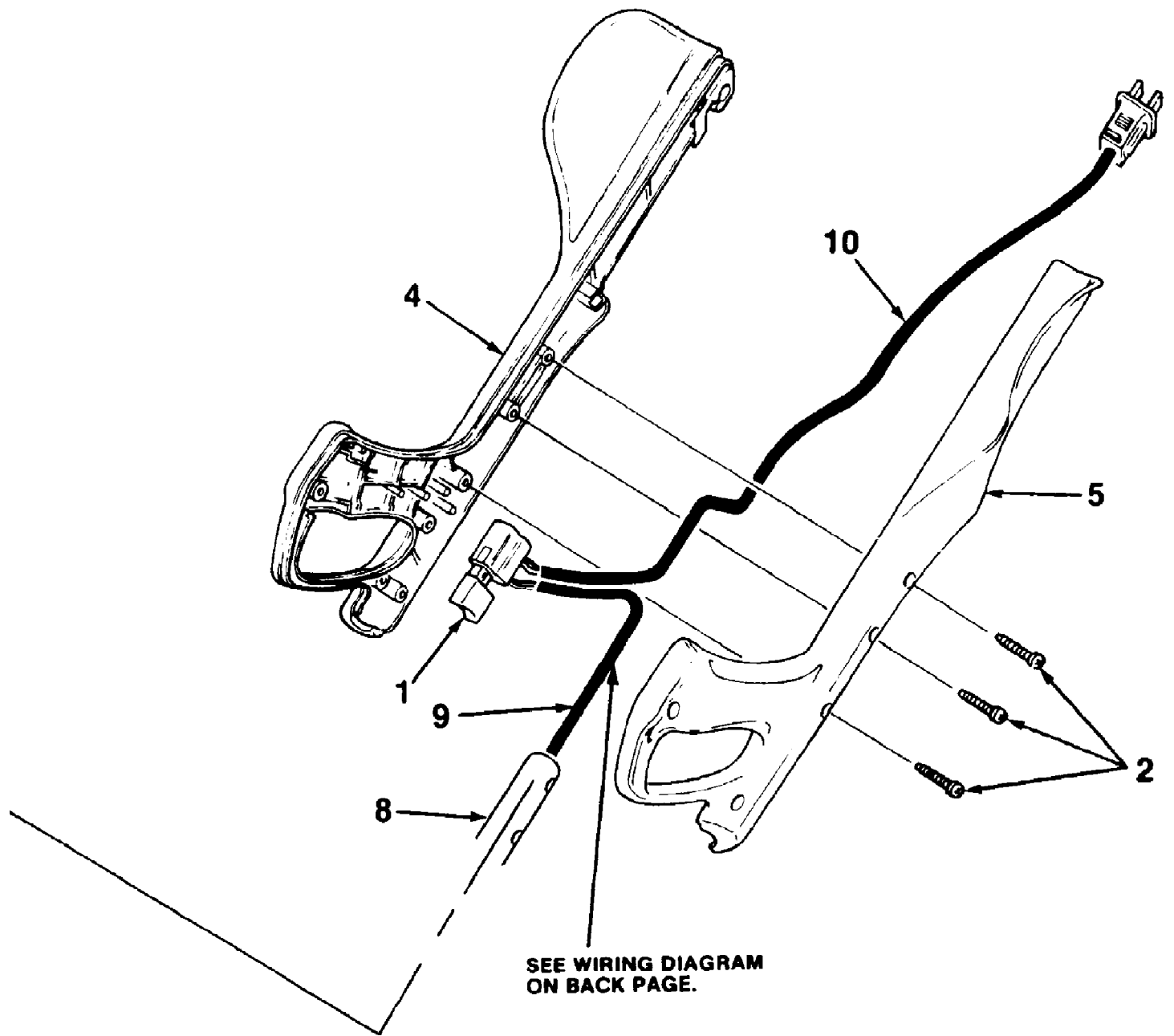


ST20 Electric String Trimmer UT-21517-A
Handle

Page 1 of 6

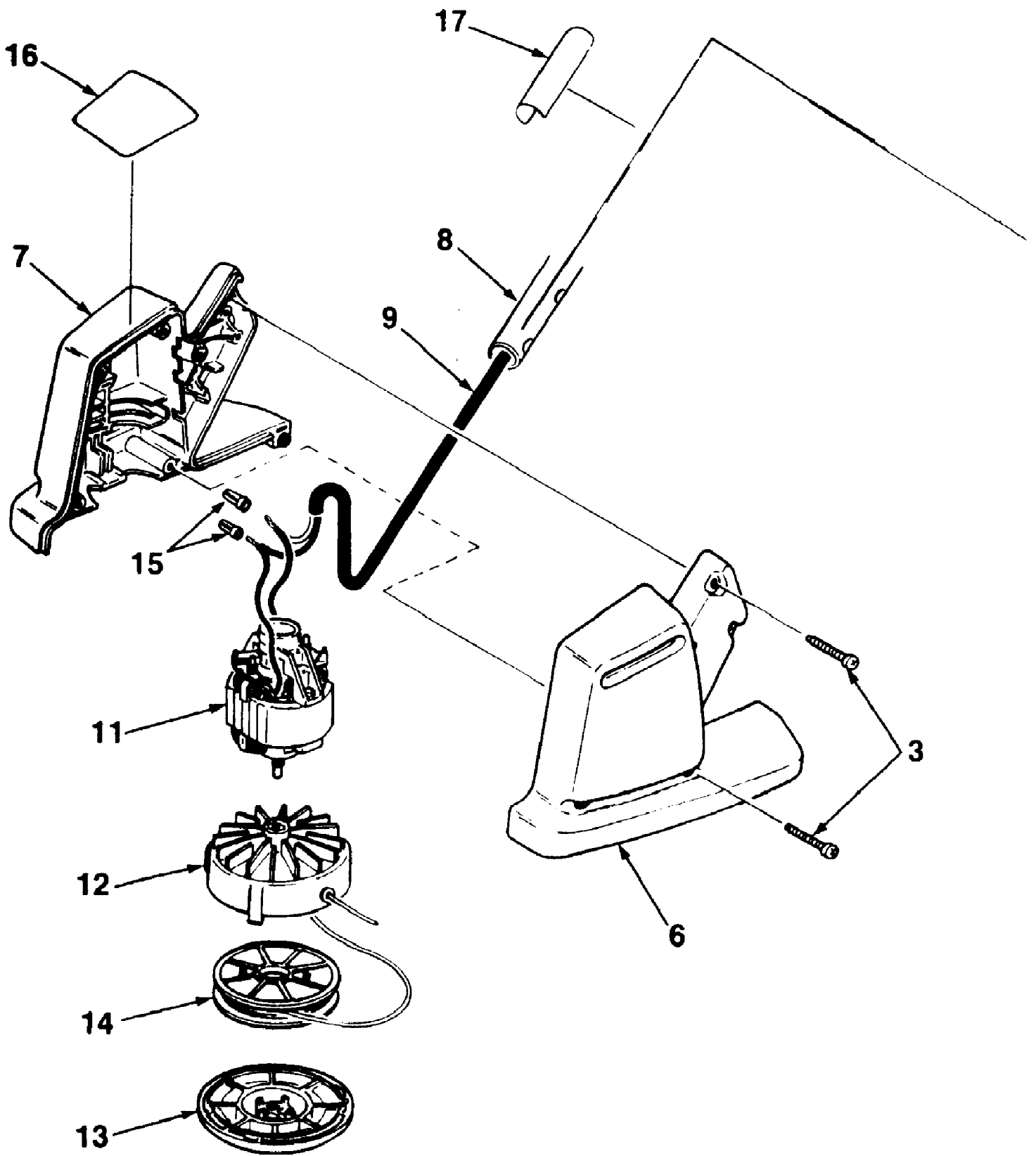


ST20 Electric String Trimmer UT-21517-A
Handle

Page 2 of 6

Ref #	Part Number	Qty	S/P/F	Description
1	93013	1		SWITCH
2	93243	7		SCREW- Thread forming 10-16 x 9/16
	94065	8		SCREW- Thread forming 10-16 x 3/4
4	95100	1		HANDLE- Right side
5	95101	1		HANDLE- Left side
	A95104A	1		HOUSING- Motor (left)
	95105A	1		HOUSING- Motor (right)
8	95108	1		TUBING
9	95112	1	S	CABLE- Electrical
10	95119A	1		CORD SET
	95120A	1		MOTOR- Electric 120V
	A95128B	1		HEAD- String
	95138A	1		RETAINER- Spool
	DA95159B	1		SPOOL & STRING
	A96587	1		KIT- Slide & Spring (not shown)
	95161	2		CONNECTOR- Wire
	95135	1		DECAL
	951321	1		DECAL- Warning
	94305	1		Power Cord (50')
	17634	1		TOOL- Head removal

ST20 Electric String Trimmer UT-21517-A
Motor & String Head

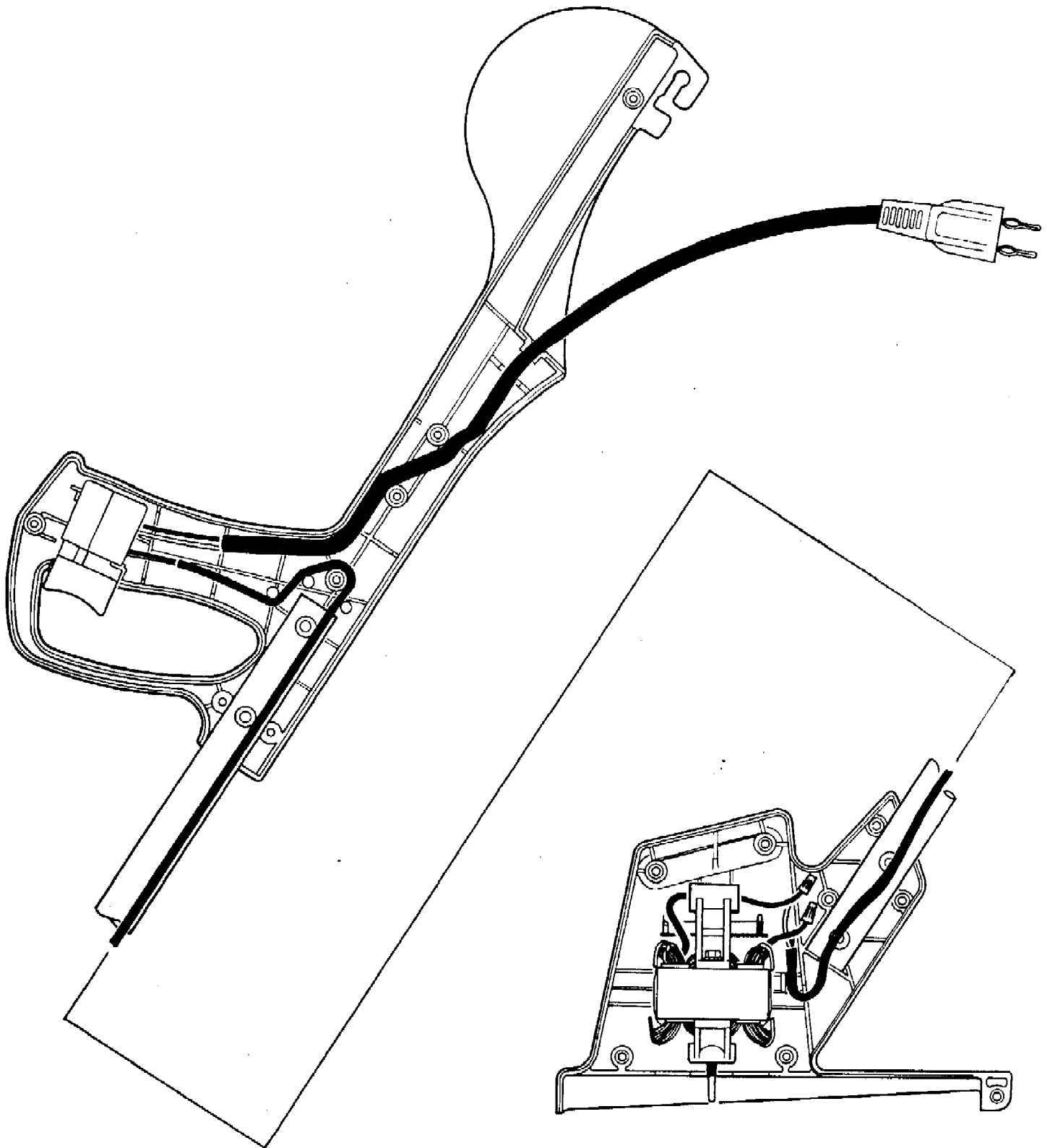


ST20 Electric String Trimmer UT-21517-A
Motor & String Head

Page 4 of 6

Ref #	Part Number	Qty	S/P/F	Description
	93013	1		SWITCH
	93243	7		SCREW- Thread forming 10-16 x 9/16
3	94065	8		SCREW- Thread forming 10-16 x 3/4
	95100	1		HANDLE- Right side
	95101	1		HANDLE- Left side
6	A95104A	1		HOUSING- Motor (left)
7	95105A	1		HOUSING- Motor (right)
8	95108	1		TUBING
9	95112	1	S	CABLE- Electrical
	95119A	1		CORD SET
11	95120A	1		MOTOR- Electric 120V
12	A95128B	1		HEAD- String
13	95138A	1		RETAINER- Spool
14	DA95159B	1		SPOOL & STRING
	A96587	1		KIT- Slide & Spring (not shown)
15	95161	2		CONNECTOR- Wire
16	95135	1		DECAL
17	951321	1		DECAL- Warning
	94305	1		Power Cord (50')
	17634	1		TOOL- Head removal

ST20 Electric String Trimmer UT-21517-A
Wiring Diagram



ST20 Electric String Trimmer UT-21517-A
Wiring Diagram

Page 6 of 6

Ref #	Part Number	Qty	S/P/F	Description
		1		Superseded by UP07217