

EN ACCESSORIES
F ACCESSOIRES
NL TOEBEHOREN
D ZUBEHÖR
I ACCESSORI
E ACCESORIOS
P ACESSÓRIOS

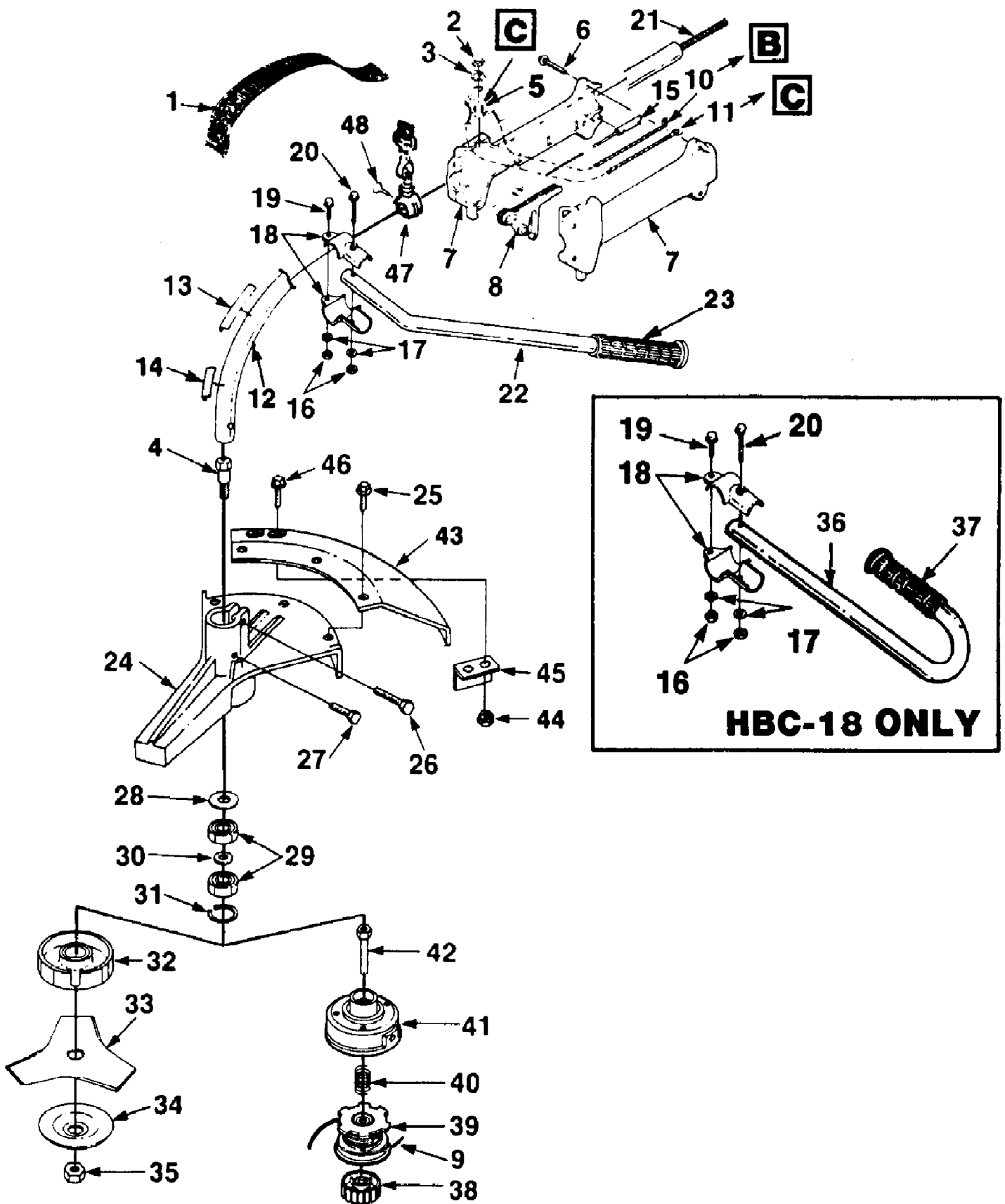
- | | |
|---|--|
| EN Saw Blade D-98935-A | EN Ignition Test Spark Plug JA-31316-4 |
| F Lame de scie | F Testeur d'allumage |
| NL Zaagblad | NL Bougie voor ontstekingscontrole |
| D Sägeblatt | D Testzündkerze für Zündprüfung |
| I Lama di sega | I Candela di collaudo |
| E Cuchilla de la sierra | E Bujía para probar el encendido |
| P Lâmina de serra | P Vela de ensaio da ignição |
| EN Grease, Multi-Purpose 18453 | EN Rubber Tubing (10 ft) (3,05 m) 94772-99 |
| F Graisse universelle | F Tubes en caoutchouc (3,05 m) |
| NL Universeel vet | NL Rubber slang (3,05 m) |
| D Mehrzweck-Schmiermittel | D Gummirohr (3,05 m) |
| I Grasso, multiuso | I Dotto di gomma (3,05 m) |
| E Grasa universal | E Tubo de caucho (3,05 m) |
| P Lubrificante, para fins múltiplos | P Tubo de borracha (3,05 m) |
| EN Machete Blade DA-00714-A | EN Starter Rope (250 ft Reel) (76 m) 98052-A |
| F Lame Machete | F Cordon de lanceur (bobine de 76 m) |
| NL Macheteblad | NL Startkoord (spoel met 76 m) |
| D Machete-Blatt | D Starterseil (76 m Spule) |
| I Lama Machete | I Corda d'avviamento (bobina da 76 m) |
| E Cuchilla Machete | E Cuerda de arranque (carrete de 76 m) |
| P Lâmina Machete | P Cabo do arrancador (rolo de 75 m) |
| EN Thread Locking Compound 23488-C | EN Replacement String (3 lb. box) (0,095 dia.) 03959-04 |
| F Produit de blocage de filetage | F Corde de rechange (boîte de 1,3 kg) (0,095 diam.) |
| NL Borgmiddel voor schroefdraden | NL Nieuwe draad (1,3 kg in een doos) (0,095 doorsnede) |
| D Gewinde-Sicherungsmasse | D Ersatz-Schneidfaden (Schachtel zu 1,3 kg) (0,095) |
| I Composto di bloccaggio della filettatura | I Corda di ricambio (scatola di 1,3 kg) (0,095 di diam.) |
| E Pasta selladora de roscas | E Cuerda de repuesto (caja de 1,3 kg) (dia. 0,095) |
| P Composto de retenção de roscas | P Fio de substituição (caixa de 1,3 kg) (0,095 de diâmetro) |
| EN Module Air Gap Shim 24306 | EN Torx Bit (for clutch drum) T25 24982-03 |
| F Cale d'écartement modulaire | F Foret torx (pour tambour d'embrayage) |
| NL Modulair vulstuk voor de luchtopening | NL Torx drijfbit (voor koppelingstrommel) |
| D Modul-Luftspalt-Beilagscheibe | D Torx-Antriebsbit (für Kupplungstrommel) |
| I Spessore di distanza modulare | I Punta Torx Drive (per il tamburo della frizione) |
| E Placa de relleno de la separación del módulo | E Broca de empuje Torx (tambor del embrague) |
| P Chapa de separação do módulo | P Broca Torx (para o tambor da embraiagem) |
| EN Grass Anti Wrap Kit A-04191 | EN Torx Drive Bit T-27 18566-01 |
| F Nécessaire anti-enroulement d'herbe | F Foret torx |
| NL Apparaatje om te voorkomen dat gras zich rond de aandrijfas wikkelt | NL Torx-drijfbit |
| D Gräserückhalter | D Torx-Antriebsbit |
| I Kit antiavvolgimento d'erba | I Punta Torx Drive |
| E Dispositivo contra la acumulación de pasto | E Broca de empuje Torx |
| P Dispositivo contra a acumulação de relva | P Broca accionadora Torx |

* ST-145, ST-155, ST-175, ST-175G, ST-175C, ST-175BC, HGT, GST, HLT-16, HLT-17C

ST185BC String Trimmer UT-15039-C
Accessories

Page 2 of 10

| Ref # | Part Number | Qty | S/P/F | Description |
|------------|-------------|-----|-------|---|
| D-98935-A | D98935A | 1 | | Saw Blade |
| 18453 | 18453 | 1 | /P | Grease, Multi-Purpose |
| DA-00714-A | DA00714A | 1 | | Machete Blade |
| 23488C | 23488C | 1 | | Thread Locking Compound |
| 24306 | 24306 | 1 | S | Module Air Gap Shim |
| A-04191 | A04191 | 1 | | Grass Anti Wrap Kit ST-145, ST-155, ST-175, ST-175G, ST-175C, ST-175BC, HGT, GST, HLT-16, HLT-17C |
| JA313164 | JA313164 | 1 | | Ignition Test Spark Plug |
| 9477299 | 9477299 | 1 | /P | Rubber Tubing (10 ft.) (3.05 m) |
| 98052-A | 98052A | 1 | /P | Starter Rope (250 ft. Reel) (76 m) |
| 03959-04 | 0395904 | 1 | | Replacement String (3 lb. box) (0.095 dia.) |
| 24982-03 | 2498203 | 1 | S | Torx Bit (for clutch drum) T25 |
| 18566-01 | 1856601 | 1 | /P | Torx Drive Bit T-27 |



ST185BC String Trimmer UT-15039-C
Boom & Head

Page 4 of 10

| Ref # | Part Number | Qty | S/P/F | Description |
|-------|-------------|-----|-------|--|
| 1 | DA92703B | 1 | | HARNESSESS w/CONNECTOR |
| 2 | 72084A1 | 1 | S | NUT |
| 3 | 95231 | 1 | S | PLATE- Indicating |
| 4 | 98834A | 1 | S | SHAFT- Spindle |
| 5 | 93653 | 1 | S | SWITCH- Toggle |
| 6 | 82368 | 4 | S | SCREW- Plastite (#8 x 3/4") |
| 7 | A00879 | 1 | /P | HANDLE GRIP ASSEMBLY |
| 8 | 98772A | 1 | S | TRIGGER |
| 9 | DA97952B | 1 | S | LINE- Replacement (.080 Dia.) (100 Ft.) |
| | 0395903 | 1 | S | LINE- Replacement (.095" Dia.) (1 lb. box) |
| 10 | A98918 | 1 | | LEAD- Electrical |
| 11 | A98919A | 1 | S | LEAD- Ground |
| 12 | A00112C | 1 | | HOUSING- Driveshaft (ST-185BC) |
| 13 | 989241 | 1 | | DECAL- Starting Instructions |
| 14 | 02985 | 1 | S | DECAL- Warning |
| | A03287B | 1 | | HOUSING- Drive shaft (HBC-18) |
| | 989241 | 1 | | DECAL- Starting Instructions |
| | 02985 | 1 | S | DECAL- Warning |
| 15 | A03006 | 1 | /P | CABLE- Throttle |
| 16 | 81267 | 2 | /P | NUT (1/4-20) |
| 17 | 83061 | 2 | /P | WASHER (1/4") |
| 18 | 00422 | 2 | S/P | CLAMP- Handle bar |
| 19 | 88078 | 1 | /P | SCREW (1/4-20 x 1") |
| 20 | 88071 | 1 | | SCREW (1/4-20 x 1 1/2") |
| 21 | 98818 | 1 | /P | SHAFT- Flexible |
| 22 | A97709A | 1 | | HANDLE BAR |
| 23 | 94474B | 1 | /P | GRIP |
| 24 | 987321B | 1 | S | HOUSING- Lower bearing |
| 25 | 806813 | 3 | /P | SCREW (1/4-20 x 1/2") |
| 26 | 88078 | 1 | /P | SCREW (1/4-20 x 1") |
| 27 | 80869 | 1 | /P | SCREW (10-24 x 3/8") |
| 28 | 98838 | 1 | | WASHER- Thrust |
| 29 | 98798 | 2 | S | BEARING- Ball |
| 30 | 98839 | 1 | /P | SPACER- Bearing |
| 31 | 98799 | 1 | /P | RING- Retaining |
| 32 | 988351A | 1 | S | WASHER- Flange |
| 33 | D98717A | 1 | S | BLADE- Tri-Arc (8") |
| 34 | 98836 | 1 | | WASHER- Cupped |
| 35 | 81282 | 1 | S | NUT- Hex locking (R.H.) |
| 36 | A02951 | 1 | | HANDLE BAR ("J") (HBC-18) |
| 37 | 94474B | 1 | /P | GRIP |
| 38 | DA98866A | 1 | S | RETAINER- Spool (R.H Thread) |
| 39 | DA98912B | 1 | | SPOOL & STRING (Dual Line)(ST-185BC) |
| | DA02598A | 1 | | SPOOL & STRING (HBC-18) |
| 40 | 98848 | 1 | S | SPRING- Compression |
| 41 | A98231A | 1 | S/P | HOUSING & EYELET (Dual Line) |
| 42 | 98849 | 1 | /P | CONNECTOR- Drive |
| 43 | 988451 | 1 | | DEFLECTOR- Grass |
| 44 | 81208 | 2 | /P | NUT (10-32) |
| 45 | 98858 | 1 | S | BLADE- Cut-off |
| 46 | 80869 | 2 | /P | SCREW (10-32 x 3/8") |
| 47 | A94442 | 1 | /P | BRACKET- Hanger |
| 48 | 82260 | 1 | /P | SCREW- Thumb (10-24 x 1/2") |

CA CARBURETOR
FR CARBURATEUR
ML CARBURATEUR
D VERGASER
I CARBURATORE
E CARBURADOR
P CARBURADOR

- CA ZAMA A-03003**
- FR Repair Kit A-03979**
- P Jeu de réparation**
- ML Reparatieset**
- D Reparatursatz**
- I Kit per riparazioni**
- E Juego de reparación**
- P Jogo de reparação**

- CA Gasket/Diaphragm Kit A-03980**
- P Jeu joint/diaphragme**
- ML Pakking/membraan set**
- D Dichtung/Membrane-Satz**
- I Kit diaframma/guarnizione**
- E Conjunto junta/diafragma**
- P Jogo de juntas vedantes/diafragmas**

- CA Primer Bulb A-01195-A**
- P Bouton d'amorçage**
- ML Voorinspuitpomp**
- D Vorpumpe**
- I Cicchetto**
- E Bulbo cebador**
- P Bolha da unidade de escorvagem**

- CA Primer Base* (Aluminum) A-01194**
- Primer Base* (Plastic) A-03062**
- P Base d'amorçage* (aluminium)**
- Base d'amorçage* (plastique)**
- ML Voorinspuit-sokkel* (aluminium)**
- Voorinspuit-sokkel* (plastic)**
- D Vorpumpen-Sockel* (Aluminium)**
- Vorpumpen-Sockel* (Plastik)**
- I Base del cicchetto* (alluminio)**
- Base del cicchetto* (plastica)**
- E Base de cebador* (aluminio)**
- Base de cebador* (plástico)**
- P Base da unidade de escorvagem* (Alumínio)**
- Base da unidade de escorvagem* (Plástico)**

- CA *Primer Base kits are not interchangeable.**
- P *Les jeux de base d'amorçage ne sont pas interchangeables.**
- ML *Sokkel-sets voor voorinspuiten zijn niet verwisselbaar.**
- D *Sockelsätze für die Vorpumpe sind nicht austauschbar.**
- I *I kit della base del cicchetto non sono intercambiabili.**
- E *Los juegos de base de cebador no son intercambiables.**
- P *Os jogos de base da unidade de escorvagem não são intercambiáveis.**

- CA Swivel Kit A-00289**
- P Jeu de pivots**
- ML Zwenkset**
- D Drehzapfen-Satz**
- I Serie di ingranaggi girevoli**
- E Juego de enganche giratorio**
- P Jogo da rótula**

- CA WALBRO A-03002**
- FR Repair Kit A-02665**
- P Jeu de réparation**
- ML Reparatieset**
- D Reparatur-Satz**
- I Kit di riparazione**
- E Juego de reparación**
- P Jogo de reparação**

- CA Gasket/Diaphragm Kit A-00285-A**
- P Jeu joint/diaphragme**
- ML Pakking/membraan set**
- D Dichtung/Membrane-Satz**
- I Kit diaframma/guarnizione**
- E Conjunto junta/diafragma**
- P Jogo de juntas vedantes/diafragmas**

- CA Swivel Kit A-00289**
- P Jeu de pivots**
- ML Zwenkset**
- D Drehzapfen-Satz**
- I Serie di ingranaggi girevoli**
- E Juego de enganche giratorio**
- P Jogo da rótula**

- CA Primer Bulb 01201**
- P Bouton d'amorçage**
- ML Voorinspuitpomp**
- D Vorpumpe**
- I Cicchetto**
- E Bulbo cebador**
- P Bolha da unidade de escorvagem**

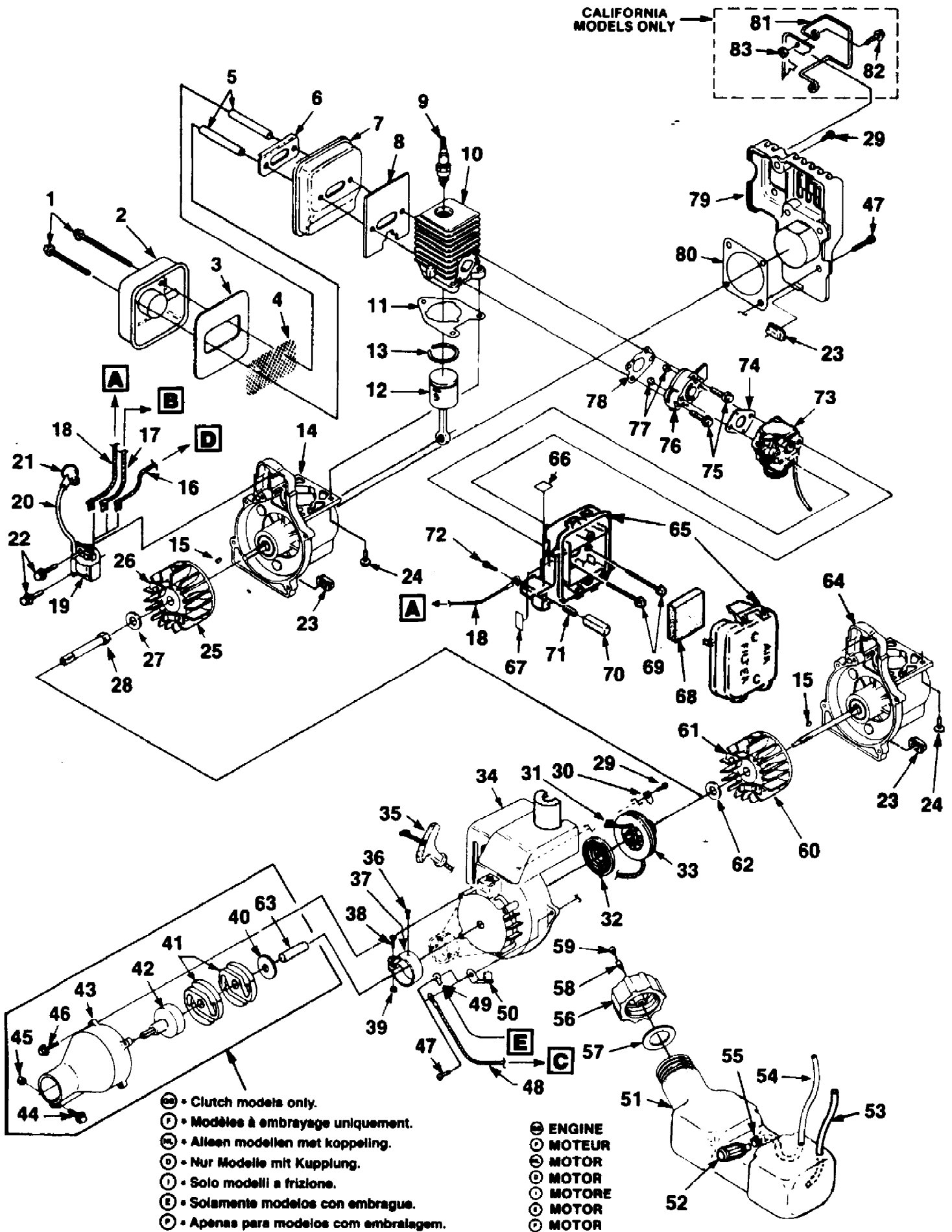
- CA Primer Base* A-01200-A**
- P Base d'amorçage***
- ML Voorinspuit-sokkel***
- D Vorpumpen-Sockel***
- I Base del cicchetto***
- E Base de cebador***
- P Base da unidade de escorvagem***

ST185BC String Trimmer UT-15039-C
Carburetor

Page 6 of 10

| Ref # | Part Number | Qty | S/P/F | Description |
|-----------|-------------|-----|-------|--|
| A-03003 | A03003 | 1 | | ZAMA |
| A-03979 | A03979 | 1 | | Repair Kit |
| A-03980 | A03980 | 1 | | Gasket/Diaphragm Kit |
| A-01195-A | A01195A | 1 | S | Primer Bulb |
| A-01194 | A01194 | 1 | | Primer Base (Aluminum) Primer Base kits are not interchangeable. |
| A-03062 | A03062 | 1 | | Primer Base (Plastic) Primer Base kits are not interchangeable. |
| A-00289 | A00289 | 1 | | Swivel Kit |
| A-03002 | A03002 | 1 | | WALBRO |
| A-02665 | A02665 | 1 | | Repair Kit |
| A00285A | A00285A | 1 | | Gasket/Diaphragm Kit |
| A-00289 | A00289 | 1 | | Swivel Kit |
| 01201 | 01201 | 1 | S | Primer Bulb |
| A-01200-A | A01200A | 1 | | Primer Base Primer Base kits are not interchangeable. |

ST185BC String Trimmer UT-15039-C
 Engine & Peripherals



| Ref # | Part Number | Qty | S/P/F | Description |
|-------|-------------|-----|-------|---|
| 1 | 88060 | 2 | S/P | SCREW- (10-24 x 2 1/2") |
| 2 | A98780 | 1 | S | COVER- Muffler |
| 3 | 98782 | 1 | S | BAFFLE- Muffler |
| 4 | 98784A | 1 | | SCREEN- Spark |
| 5 | 98860A | 2 | S | SPACER- Muffler |
| 6 | 98783 | 1 | /P | PLATE- Reinforcing |
| 7 | A01323 | 1 | S | BODY- Muffler |
| 8 | 98786B | 1 | | GASKET- Muffler |
| 9 | 96169S | 1 | S | SPARK PLUG (DJ7Y) |
| | 79252 | 1 | S | SPARK PLUG (RDJ7Y) (Int'l) |
| 10 | A00108 | 1 | | CYLINDER & GASKET (ST-145,ST-155,ST-175BCST-175C,ST-175G, |
| 11 | 03703A | 1 | S | GASKET- Cylinder |
| | A03785A | 1 | S | CYLINDER & GASKET (HLT-16,HLT-17C,HLT-28,HBC-18,HBC-30,HE |
| | 03703A | 1 | S | GASKET- Cylinder |
| 12 | A04258 | 1 | S | PISTON & ROD ASSEMBLY (ST-145,ST-155,ST-175BC,ST-175C,ST-175G |
| 13 | 96935 | 1 | S | RING- Piston |
| | A03705 | 1 | | PISTON & ROD ASSEMBLY (HLT-16,HLT-17C,HLT-28,HBC-18,HBC-30,HE |
| | 03179 | 2 | /P | RING- Piston |
| 14 | A00517 | 1 | | CRANKCASE (ST-145, ST-155, ST-175G, ST-275, GST, HGT) |
| | A00574 | 1 | | CRANKCASE (HLT-16, HLT-28) |
| 15 | 69250 | 1 | /P | KEY- Woodruff |
| 16 | A00681 | 1 | | LEAD- Electrical (ST-385BC, HBC-30, HBC-30B) |
| 17 | A98918 | 1 | | LEAD- Electrical (ST-175BC,ST-175C,ST-185BC,ST-285BC,HL |
| 18 | A98809 | 1 | S | LEAD- Electrical (ST-145,ST-155,ST-175G,ST-275,GST,HGT,H |
| 19 | 94711CS | 1 | /P | MODULE- Ignition |
| 20 | 69326 | 1 | | LEAD- High-Tension |
| 21 | A33055 | 1 | /P | TERMINAL- High-Tension |
| 22 | 82540 | 2 | /P | SCREW- Taptite (8-32 x 1") |
| 23 | 98792 | 3 | /P | BUMPER- Rubber |
| 24 | 82569 | 3 | S | SCREW- (10-24 x 3/4") (T-27) |
| 25 | A04158 | 1 | S | ROTOR (ST-145, ST-155, ST-175G, ST-275, HGT, GST, HLT-16, HLT-28) |
| 26 | A70285E | 1 | /P | KIT- Starter pawl |
| 27 | 84065 | 1 | S | WASHER- Flat (5/16") (ST-145,ST-155,ST-175GST-275,GST,HGT,HI |
| 28 | 98795A | 1 | /P | CONNECTOR- Drive (ST-145, ST-155, ST-175G, ST-275, HLT-16, HLT-28) |
| 29 | 82541 | 4 | /P | SCREW- Plastite (10 x 1/2") |
| 30 | 98791 | 1 | /P | BRACKET- Retaining |
| 31 | 9789902 | 1 | S/P | ROPE- Starter (42") |

| Ref # | Part Number | Qty | S/P/F | Description |
|-------|-------------|-----|-------|--|
| 32 | A98773 | 1 | | SPRING & CONTAINER |
| 33 | 98770 | 1 | | PULLEY- Starter |
| 34 | A02576B | 1 | | HOUSING Engine (ST-175BC,ST-175C,ST-185BC,ST-285BC,ST |
| | A02575B | 1 | S | HOUSING- Engine (ST-145, ST-155, ST-175G, ST-275, HLT-16, HLT-28) |
| 35 | 02264 | 1 | S | GRIP- Starter |
| 36 | 82522 | 1 | | SCREW- Pan hd. (#10 x 3/8") |
| 37 | 98802A | 1 | S | CLAMP |
| 38 | 82268 | 1 | | SCREW- Hex sems (10-24 x 3/8") |
| 39 | 97574 | 1 | | NUT- Square |
| 40 | 98929A | 1 | S/P | WASHER- Clutch (ST-175BC,ST-175C,ST-185BC,ST-285BC,GS |
| 41 | 00242 | 1 | /P | CLUTCH (ST-175BC, ST-175C,ST-185BC,ST-285BC,ST-385BC,GS |
| 42 | A02727 | 1 | S | CONNECTOR & DRUM (ST-175BC,ST-175C,ST-185BC,ST-285BC,ST |
| | A03485A | 1 | S | CONNECTOR & DRUM (HLT-17C-UT2059-A, HBC-18, HBC-30, HBC-30B) |
| 43 | A02396A | 1 | /P | TUBE ADAPTOR (ST-175BC,ST-175C,ST-185BC,ST-285BC,ST |
| 44 | 88054 | 1 | S | SCREW (10-24 x 1 1/4") |
| 45 | 81208 | 1 | /P | NUT (10-24) |
| 46 | 88052 | 1 | /P | SCREW (10-24 x 7/8") |
| 47 | 82538 | 1 | /P | SCREW- Taptite (10-24 x 3/4") |
| 48 | A98919A | 1 | S | LEAD- Ground |
| 49 | 02851 | 1 | /P | TERMINAL |
| 50 | A98808 | 1 | | BRACKET- Cable |
| 51 | A01441 | 1 | | TANK- Fuel |
| 52 | 49422 | 1 | S | FILTER- Fuel |
| 53 | 0143932 | 1 | S/P | TUBING- Rubber (8") |
| 54 | 9477232 | 1 | S | TUBING- Rubber (8") |
| 55 | 98268 | 1 | S/P | CLAMP- Wire |
| 56 | A00982A | 1 | | FUEL CAP ASSEMBLY |
| 57 | 98805A | 1 | /P | GASKET- Fuel cap |
| 58 | 03134 | 1 | S/P | VALVE- Duck bill |
| 59 | 98913 | 1 | S | FILTER- Cap |
| 60 | A00856 | 1 | S | ROTOR (ST-175BC,ST-175C,ST-185BC,ST-285BC,ST |
| 61 | A70285E | 1 | /P | STARTER PAWL |
| 62 | 95479A | 1 | /P | WASHER |
| 63 | 035662 | 1 | S | SPACER |
| | A00857 | 1 | S | ROTOR (HLT-17C-UT-20596-A, HLT-16, HLT-28, HBC-18, HBC-30, HBC-30B) |
| | A70285E | 1 | /P | STARTER PAWL |
| | 95479A | 1 | /P | WASHER |
| | 035661 | 1 | S | SPACER |

| Ref # | Part Number | Qty | S/P/F | Description |
|-------|-------------|-----|-------|--|
| 64 | A00575 | 1 | | CRANKCASE (ST-175BC, ST-175C, ST-185BC, ST-285BC, ST-385BC, GST-BC) |
| | A00551 | 1 | | CRANKCASE (HLT-17C, HBC-18, HBC-30, HBC-30B) |
| 65 | A01440A | 1 | S | AIR FILTER BOX |
| 66 | 98943 | 1 | | DECAL- Push-Hold |
| 67 | 00772 | 1 | | DECAL- Choke-Run |
| 68 | D98760A | 1 | | FILTER- Air |
| 69 | 82542 | 1 | /P | SCREW- (10-24 x 2 1/4") |
| 70 | 98769 | 1 | /P | BUTTON- Switch |
| 71 | 95020 | 1 | S | SPRING- Compression |
| 72 | 93923 | 1 | S | SCREW- Plastite (#6) |
| 73 | A03003 | 1 | | CARBURETOR (Walbro) |
| | A03002 | 1 | | CARBURETOR (Zama) |
| 74 | 98766A | 1 | S/P | GASKET- Carburetor |
| 75 | 825491 | 1 | S | SCREW- Taptite (10-24 x 1") |
| 76 | 98768 | 1 | S | HEAT DAM |
| 77 | 81208 | 1 | /P | NUT (10-24) |
| 78 | 98765B | 1 | /P | GASKET- Heat dam |
| 79 | A00858 | 1 | /P | CRANKCASE COVER |
| 80 | 98767A | 1 | /P | GASKET- Crankcase cover |
| 81 | A00254 | 1 | S | WIRE GUARD KIT |
| 82 | 88049 | 1 | /P | SCREW- Hex sems (10-24 x 1/2") |
| 83 | 81208 | 1 | /P | NUT (10-24) |