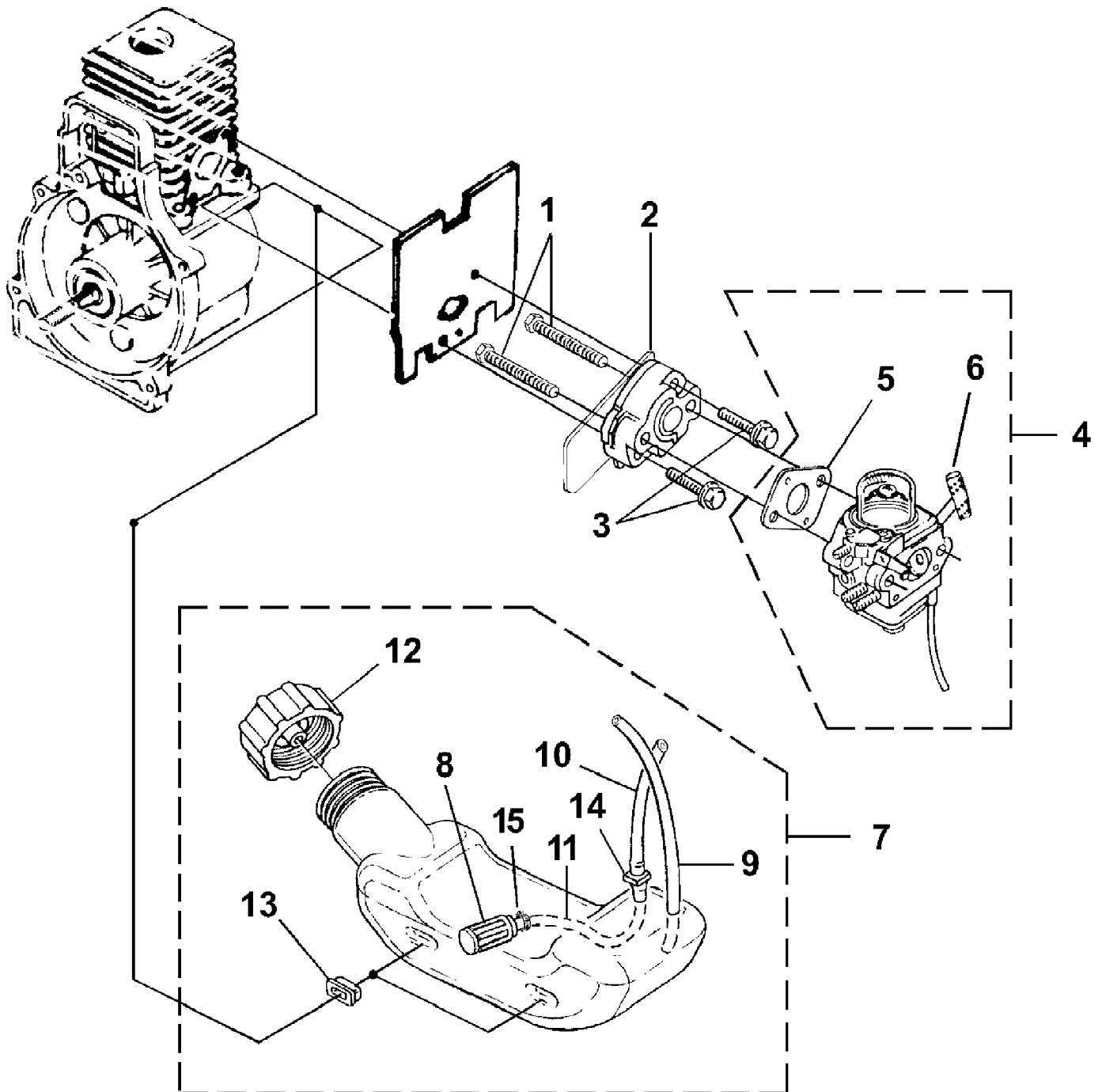


No  
Diagram  
Available  
  
Parts List  
Only

ST155v String Trimmer UT-20741  
Accessories

Page 2 of 12

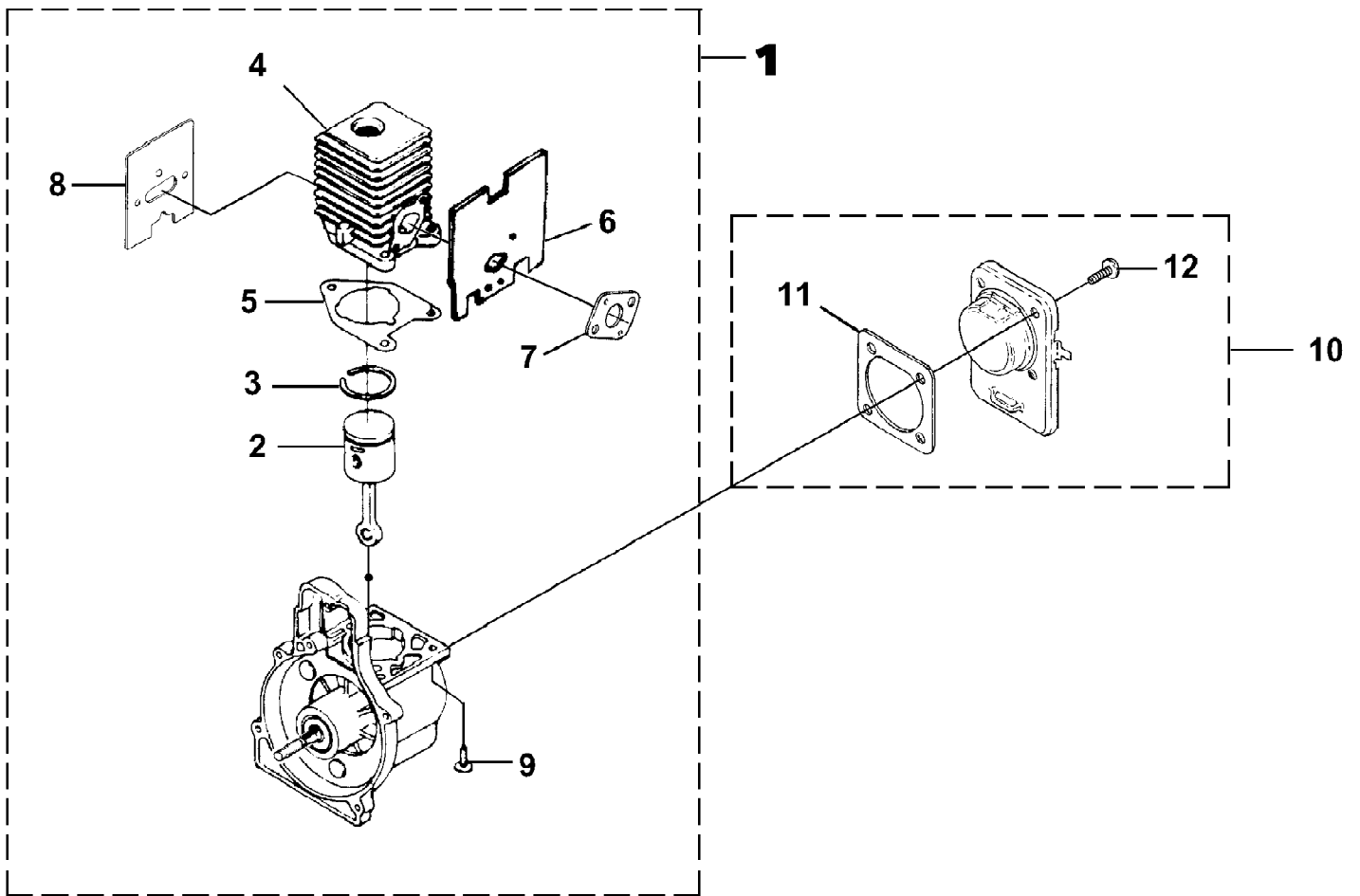
Ref #	Part Number	Qty	S/P/F	Description
	18453	1	/P	GREASE, MULTI-PURPOSE
	23488C	1		THREAD LOCKING COMPOUND
	PS24306	1	/P	MODULE AIR GAP SHIM
	A04191	1		GRASS ANTI-WRAP KIT
	98052A	1	/P	STARTER ROPE (250 Ft. Reel)
	1856601	1	/P	TORX BIT (T27)
	JA313164	1		IGNITION TEST SPARK PLUG
	9477299	1	/P	RUBBER TUBING (10 Ft.)
	0143999	1		RUBBER TUBING (10 Ft.)
	A06933	1		SAFETY GOGGLES
	07686	1		EAR PLUGS
	A07687	1		NON-SLIP GLOVES
	18416	1		DIGITAL TACHOMETER
	DA03001A	1	S/P	STRINGHEAD-Complete (.080 Line) (Right Hand Thread) (Black Retainer)
	9801106	1		REPLACEMENT STRING (3 lb. Box) (.080" Dia.)



ST155v String Trimmer UT-20741  
Carburetor - Fuel Tank

Page 4 of 12

Ref #	Part Number	Qty	S/P/F	Description
1	04474	2	/P	SCREW-Machine (10-24 X 2 1/4")
2	98768A	1	/P	HEAT DAM
3	093221	2	S/P	SCREW-Sems (10-24 X 1") Torque Specs 35-45 In/Lbs, 4.0-5.1 Nm. Required Loctite Red 262; Also included in Short Block Assembly
4	UP00608	1	S	CARBURETOR KIT Includes items 5-6
5	98766A	1	S/P	GASKET-Carburetor
6	PS00236	1	S	LEVER-Choke (Zama)
7	UP00020	1	S	FUEL TANK ASSY. Includes items 8-15
8	49422	1	S	FILTER-Fuel
9	0143918	1	/P	TUBING-Rubber
10	0143910	1	/P	TUBING-Rubber
11	9477213	1	/P	TUBING-Rubber
12	UP00106	1	/P	FUEL CAP
13	98792	3	/P	BUMPER-Rubber
14	02067	1	/P	FITTING-Inline
15	98268	1	S/P	CLAMP

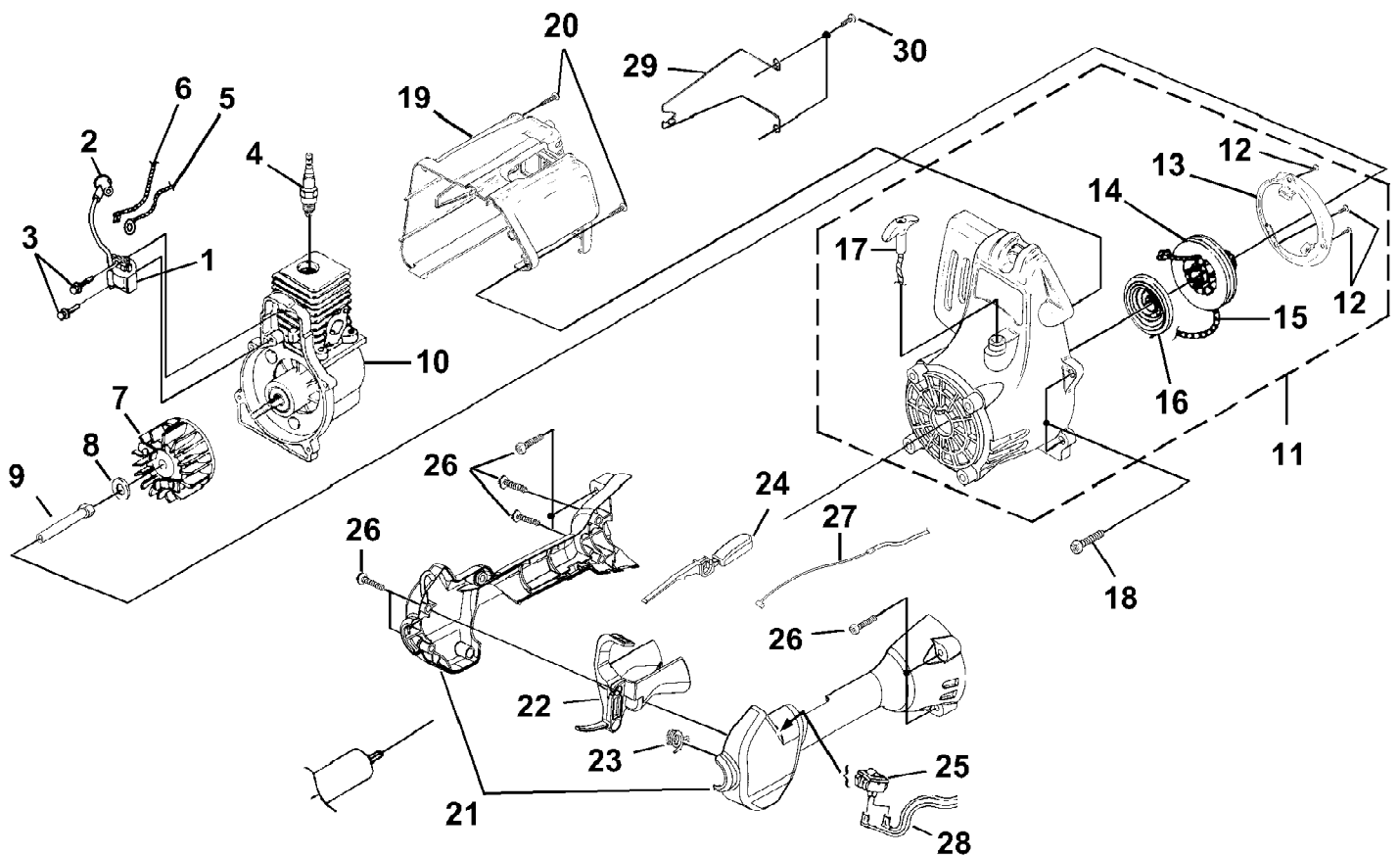


ST155v String Trimmer UT-20741  
Engine Internal

Page 6 of 12

Ref #	Part Number	Qty	S/P/F	Description
1	UP03116	1	S	SHORT BLOCK Includes items 2-9
2	UP00768	1	S/P	PISTON & ROD ASSEMBLY Includes item 3
3	PS01359	1	S/P	RING-Piston
4	UP07145	1	S/P	CYLINDER ASSY. Includes item 4-8
5	04388B	1	S/P	GASKET-Cylinder
6	06900A	1	/P	GASKET-Heat Dam
7	98766A	1	S/P	GASKET-Carburetor
8	09343	1	/P	GASKET-Muffler
9	880841	3	S	SCREW-Sems (12-24 X 3/4") Torque Specs 55-65 In/Lbs, 6.2-7.3 Nm. Required Loctite Red 262
10	UP00019	1	S	CRANKCASE COVER ASSEMBLY Includes items 11-12
11	08661	1	/P	GASKET-Crankcase Cover) Also included in Short Block Assembly
12	PS01565	4	/P	SCREW-Sems (10-24 X 1/2") Torque Specs 35-45 In/Lbs, 4.0-5.1 Nm. Required Loctite Red 262; Also included in Short Block Assembly

ST155v String Trimmer UT-20741  
Ignition - Rotor - Starter

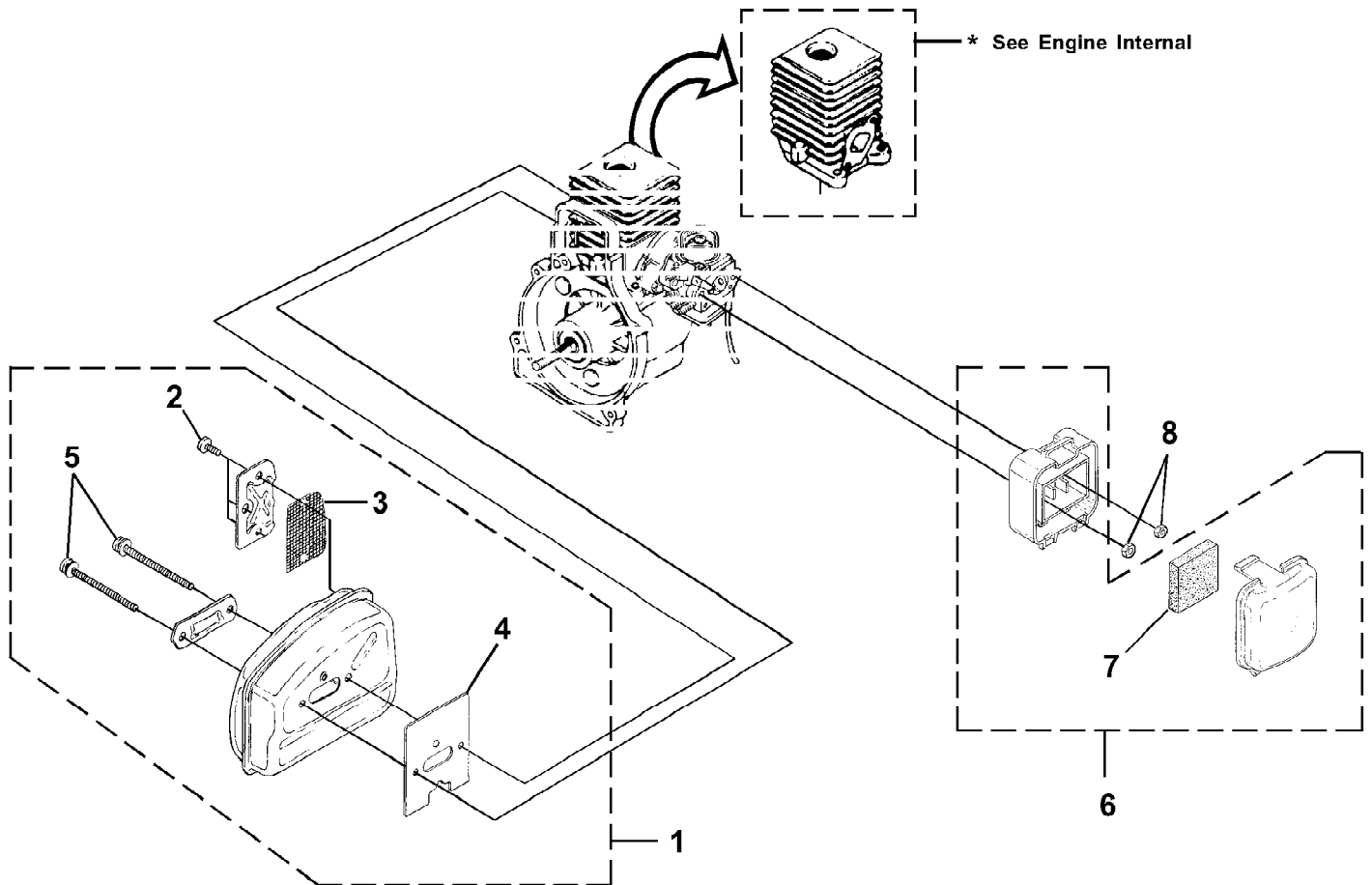


ST155v String Trimmer UT-20741  
Ignition - Rotor - Starter

Page 8 of 12

Ref #	Part Number	Qty	S/P/F	Description
1	94711CS	1	/P	MODULE-Ignition Includes item 2
2	33055	1		TERMINAL & COVER
3	82540	2	/P	SCREW-Taptite (8-32 X 1") Torque Specs 30-40 In/Lbs, 3.4-4.5 Nm. Required Loctite Blue 242
4	79252	1	S	SPARK PLUG - Resistor Torque Specs 120-180 In/Lbs, 13.6-20.3 Nm.
5	06964	1		LEAD-Ground
6	06963	1		LEAD-Electrical
7	UP03009	1		ROTOR KIT Includes item 8
8	95479A	1	/P	WASHER-Flat
9	98795A	1	/P	CONNECTOR-Drive Torque Specs 100-150 In/Lbs, 11.3-16.9 Nm.
10	UP03116	1	S	SHORT BLOCK (See "Engine Internal" illustration and parts list)
11	UP00014	1		COMPLETE STARTER ASSEMBLY Includes item 12-17
12	82546	3	S/P	SCREW-Taptite (8-16 X 1/2") Torque Specs 10-20 In/Lbs, 1.1-2.3 Nm.
13	UP03013	1	S	BAFFLE-Air
14	98770A	1	/P	PULLEY-Starter
15	9789902	1	S/P	ROPE-Starter (42")
16	A98773A	1	S/P	SPRING & CONTAINER
17	PS00179	1	/P	GRIP-Starter
18	82538	4	/P	SCREW-Taptite (10-24 X 3/4") Torque Specs 30-40 In/Lbs, 3.4-4.5 Nm.
19	UP00023	1	S	HOUSING-Rear Kit Includes item 20
20	82537	2	/P	SCREW-Taptite (10-14 X 7/8")
21	UP03114	1	S/P	CONTROL HANDLE ASSY. Includes item 22-28
22	UP03207	1	S/P	TRIGGER-Throttle Includes item 23
23	UP03210	1	S	SPRING
24	UP03173	1	S	THROTTLE INTERLOCK
25	07385	1	S	SWITCH
26	82589	9	/P	SCREW-Taptite (10-14 X 1") Torque Specs 30-50 In/Lbs, 3.4-5.6 Nm.
27	UP03172	1	S	CABLE-Throttle
28	UP03174	1	S	LEAD-Electrical
29	PS00218	1	/P	GUARD-Muffler
30	82541	2	/P	SCREW-Thread Forming (10-14 X 1/2") Torque Specs 5-20 In/Lbs, .6-2.3 Nm.



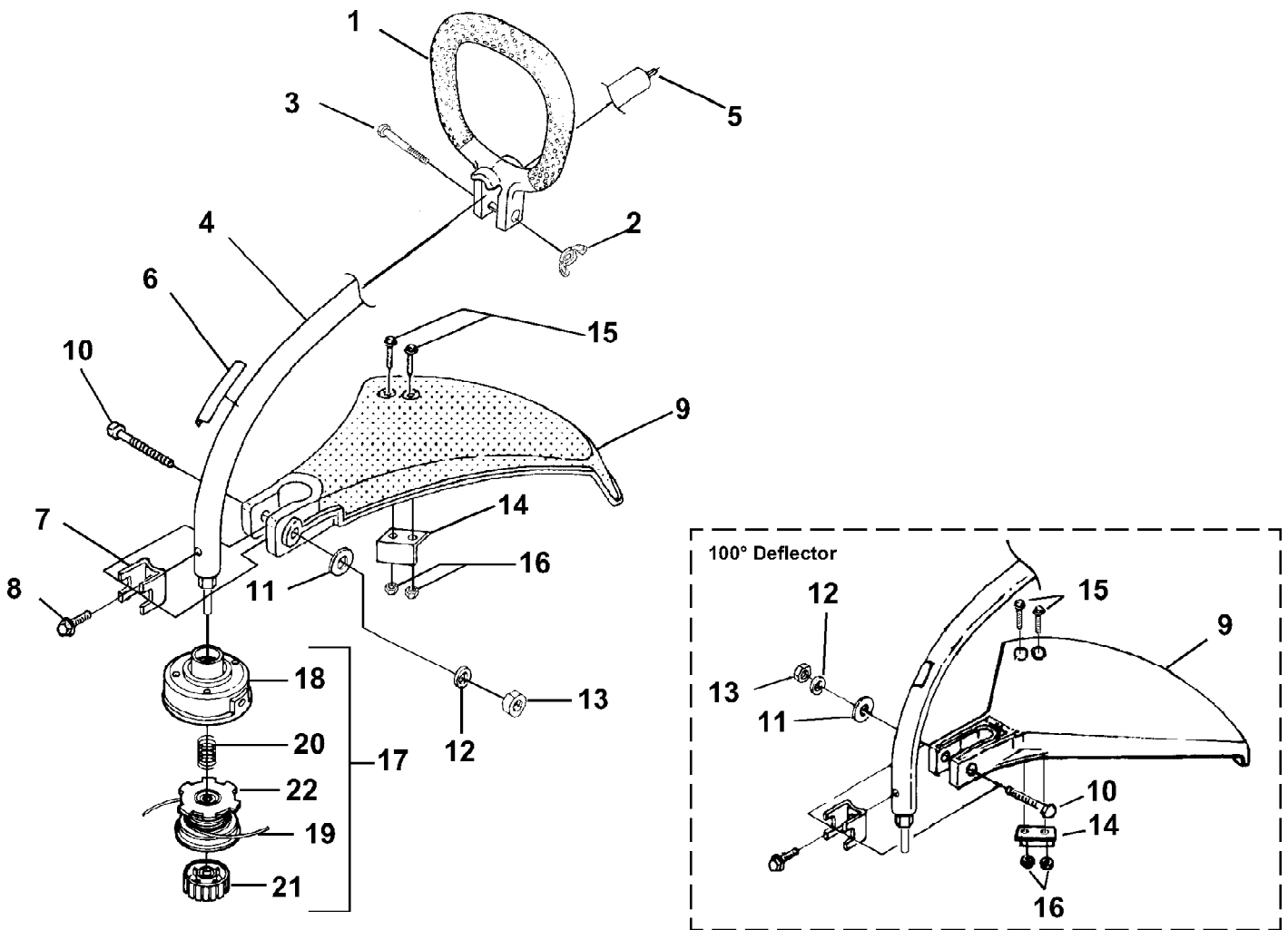


ST155v String Trimmer UT-20741  
Muffler - Air Cleaner

Page 10 of 12

Ref #	Part Number	Qty	S/P/F	Description
1	A07142A	1	S	MUFFLER ASSY. Includes items 2-5
2	82600	3	/P	SCREW, Taptite- (8-32 X 3/8") Torque Specs 25-35 In/Lbs, 2.8-4.0 Nm.
3	06502	1	/P	SCREEN-Spark
4	09343	1	/P	GASKET-Muffler
5	88083	2	S/P	SCREW, Truss Hd. - (10-24 X 2.188) Torque Specs 50-60 In/Lbs, 5.6-6.8 Nm.
6	UP00022	1	S	AIR FILTER KIT Includes items 7-8
7	98760	1	/P	FILTER-AIR
8	81208	2	/P	NUT-Hex (10-24) Torque Specs 30-40 In/Lbs, 3.4-4.5 Nm.

ST155v String Trimmer UT-20741  
Shaft - Spool & String - Grass Deflector



ST155v String Trimmer UT-20741  
Shaft - Spool & String - Grass Deflector

Page 12 of 12

Ref #	Part Number	Qty	S/P/F	Description
1	UP03010	1	S	HANDLE ASSY.-Front Includes items 2-3
2	93992	1	/P	NUT-Wing, Washer Faced (1/4-20) Torque Specs 5-25 In/Lbs, .6-2.8 Nm.
3	80295	1	/P	SCREW-Cap Hex Hd.
4	UP00224	1		DRIVESHAFT HOUSING ASSY. Includes items 5-8
5	UP03031	1	S	SHAFT-Flexible
6	02985	1	S	DECAL-Warning
7	07928	1	S/P	CLAMP
8	88077	1	S	SCREW-Sems Hex Hd. (#10-24 X 3/8") Torque Specs 15-25 In/Lbs, 1.7-2.8 Nm.
9	A04705	1	S	DEFLECTOR & BLADE KIT (55 Deg.) Includes items 10-16
	A04704	1	S	DEFLECTOR & BLADE KIT (100 Deg.) Includes items 10-16
10	80295	1	/P	SCREW-Cap Hex Hd. (10-24 X 2")
11	84006	1	/P	WASHER-Flat (1/4")
12	83009	1	/P	WASHER-Lock (1/4")
13	81242	1	/P	NUT-Hex
14	A03832	1	S	BLADE-Cut-Off Includes items 15-16
15	82531	2	/P	SCREW-Mech. Hex Hd. (10-24 X 7/8") Torque Specs 5-25 In/Lbs, .6-2.8 Nm.
16	81208	2	/P	NUT-Hex (10-24) Torque Specs 30-40 In/Lbs, 3.4-4.5 Nm.
17	DA03001A	1	S/P	STRINGHEAD-Complete Includes items 18-22
18	A98231A	1	S/P	HOUSING & EYELET (Dual Line)
19	UP00145	1	S/P	SPOOL & STRING (.080" Line) Includes item 20
20	06713	1	/P	SPRING-Compression
21	DA98866A	1	S	RETAINER-Spool (R.H. Thread, Black)
22	D06510	1	/P	STRING - (.080) (195 ft.)