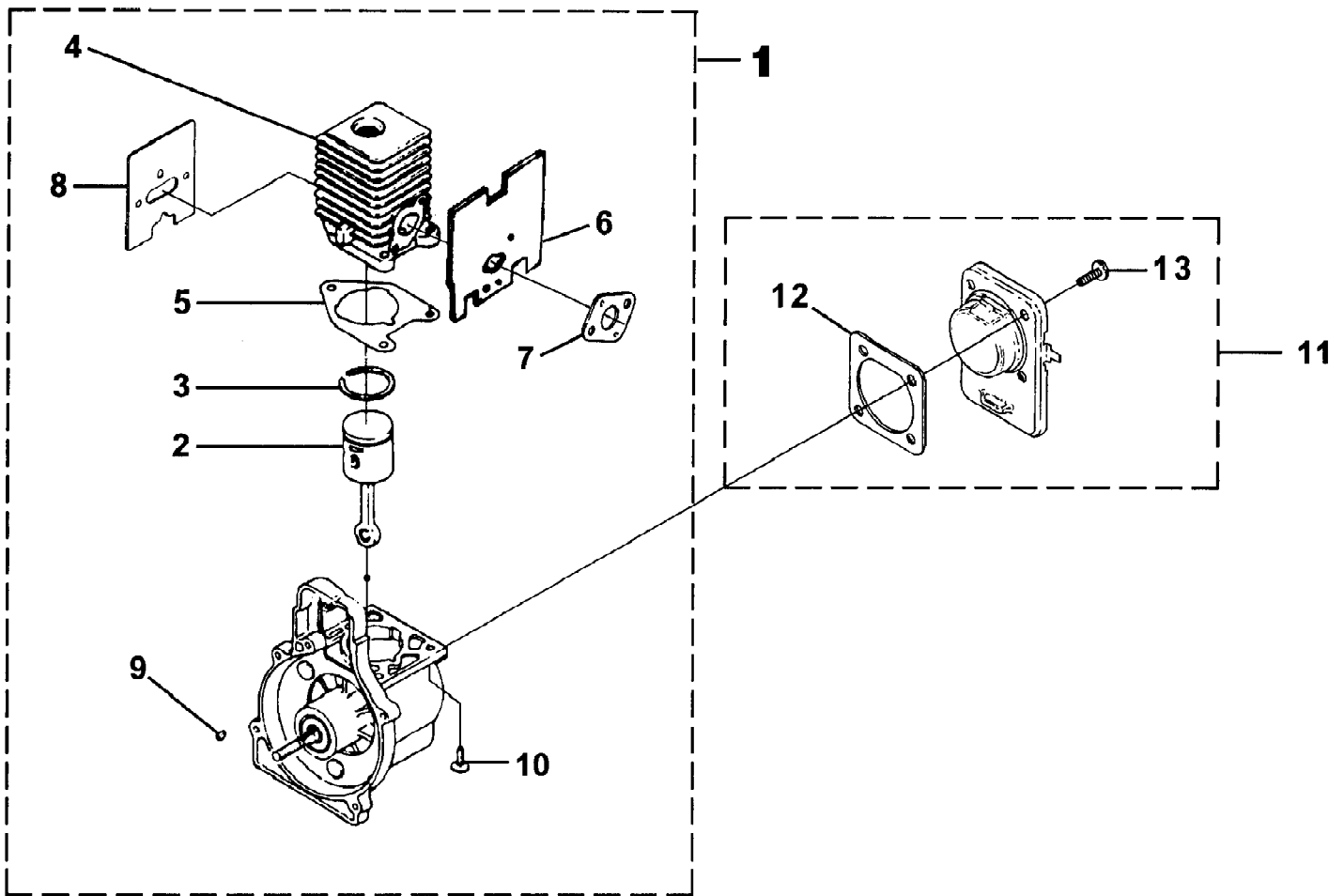


ST155V String Trimmer UT-20717
Carburetor - Fuel Tank

Page 2 of 10

Ref #	Part Number	Qty	S/P/F	Description
1	04474	2	/P	SCREW-Machine (10-24 X 2 1/4")
2	08661	1	/P	HEAT DAM
3	093221	2	S/P	SCREW-Sems (10-24 X 1") Torque Specs 35-45 In/Lbs 4.0-5.1 Nm; Required Loctite Red 262; Also included in Short block assembly
4	UP00608	1	S	CARBURETOR KIT
5	98766A	1	S/P	GASKET-Carburetor
6	PS00236	1	S	LEVER-Choke (Zama)
7	UP00020	1	S	FUEL TANK ASSY.
8	49422	1	S	FILTER-Fuel
9	0143918	1	/P	TUBING-Rubber
10	0143910	1	/P	TUBING-Rubber
11	9477213	1	/P	TUBING-Rubber
12	UP00106	1	/P	FUEL CAP
13	98792	3	/P	BUMPER-Rubber
14	02067	1	/P	FITTING-Inline
15	98268	1	S/P	CLAMP

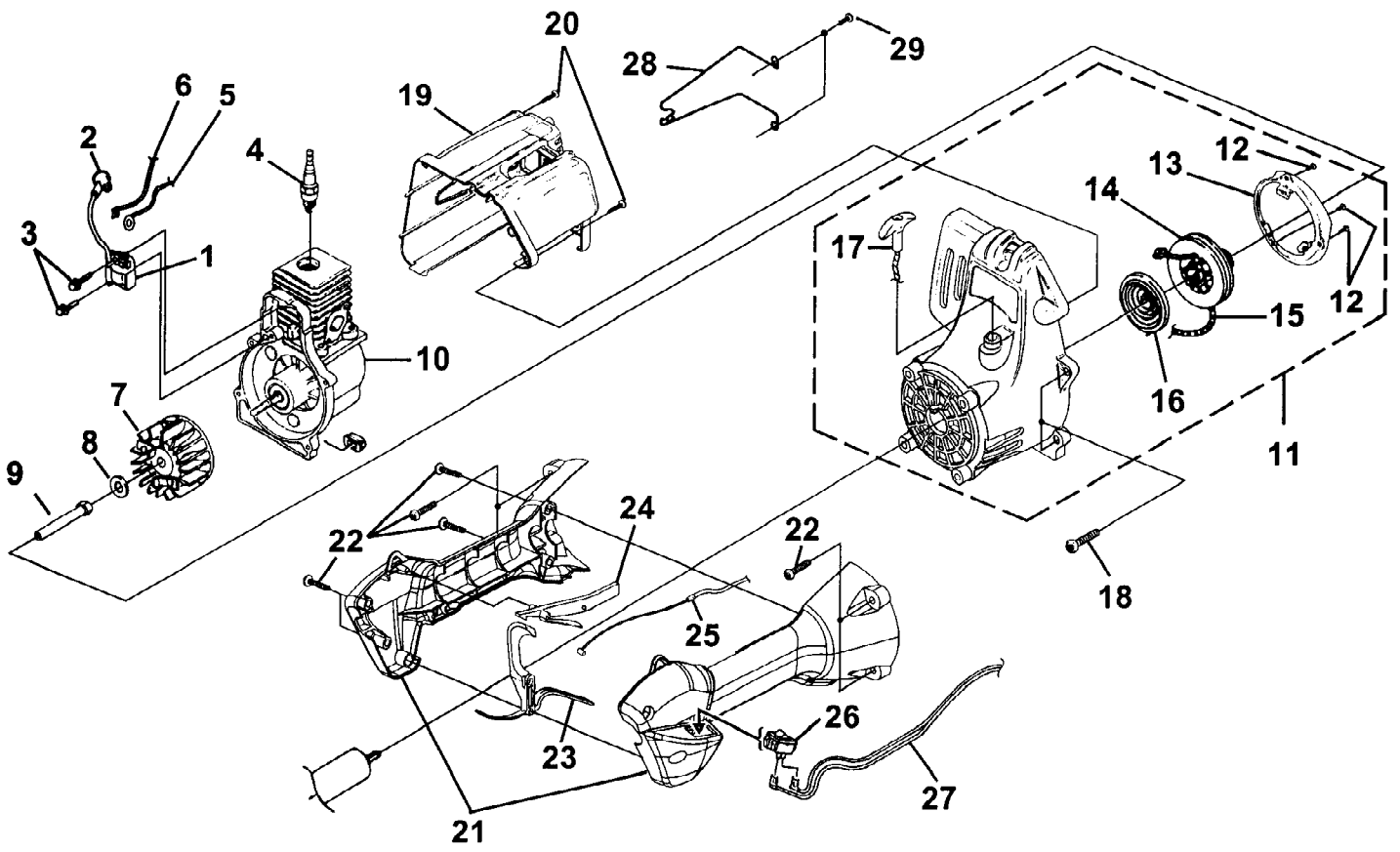


ST155V String Trimmer UT-20717
Engine Internal

Page 4 of 10

Ref #	Part Number	Qty	S/P/F	Description
1	A09055A	1	S	SHORT BLOCK
2	UP00016	1	S	PISTON & ROD ASSEMBLY
3	09272	2		RING-Piston
4	UP07145	1	S/P	CYLINDER ASSY.
5	04388B	1	S/P	GASKET-Cylinder
6	06900A	1	/P	GASKET-Heat Dam
7	98766A	1	S/P	GASKET-Carburetor
8	09343	1	/P	GASKET-Muffler
9	69250	1	/P	KEY-Woodruff
10	880841	3	S	SCREW-Sems (12-24 X 3/4") Torque Specs 55-65 In/Lbs 6.2-7.3 Nm; Required Loctite Red 262
11	UP00019	1	S	CRANKCASE COVER ASSEMBLY
12	08661	1	/P	GASKET-Crankcase Cover Also included in Short block assembly
13	880851	4	S	SCREW-Sems (10-24 X 1/2") Torque Specs 35-45 In/Lbs 4.0-5.1 Nm; Required Loctite Red 262

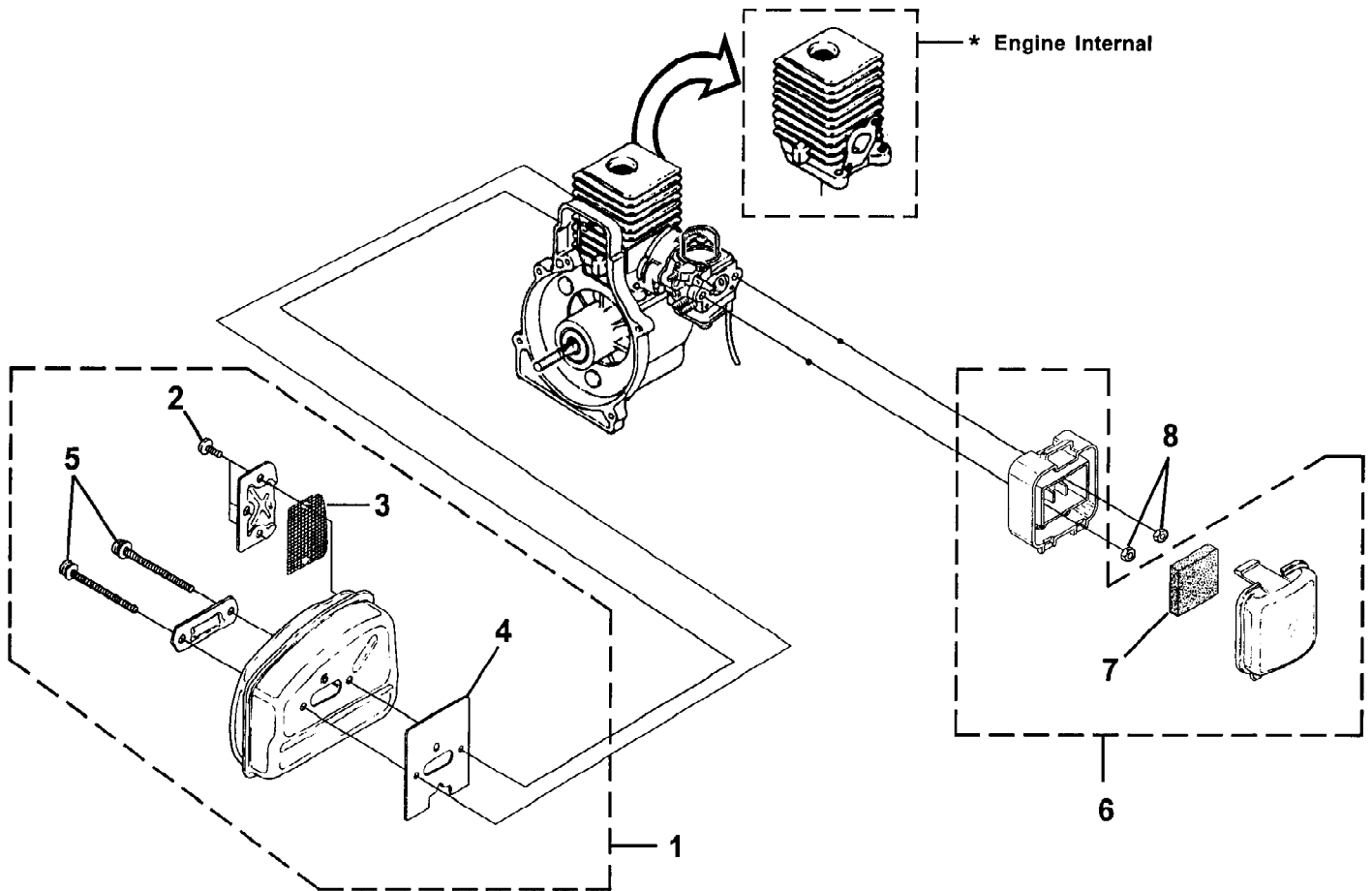
ST155V String Trimmer UT-20717
Ignition - Rotor - Starter



ST155V String Trimmer UT-20717
Ignition - Rotor - Starter

Page 6 of 10

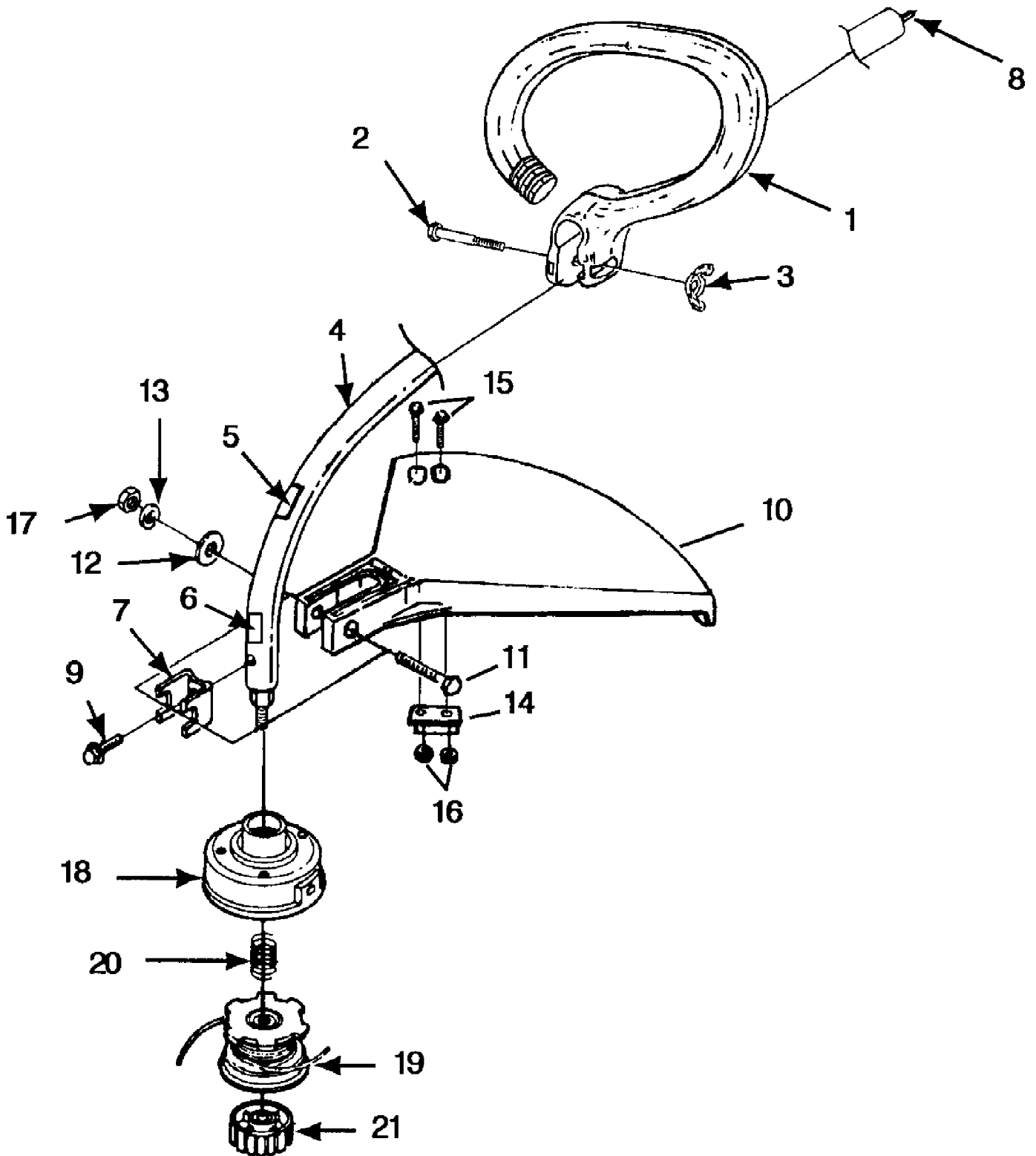
Ref #	Part Number	Qty	S/P/F	Description
1	94711CS	1	/P	MODULE-Ignition
2	A33055	1	/P	TERMINAL & COVER
3	82540	2	/P	SCREW-Taptite (8-32 X 1") Torque Specs 30-40 In/Lbs 3.4-4.5 Nm; Required Loctite Blue 242
4	79252	1	S	SPARK PLUG - Resistor Torque Specs 120-180 In/Lbs 13.6-20.3 Nm.
5	A06964	1	/P	LEAD-Ground
6	A06963	1	/P	LEAD-Electrical
7	A04158S	1	S	ROTOR KIT
8	95479A	1	/P	WASHER-Flat
9	98795A	1	/P	CONNECTOR-Drive Torque Specs 100-150 In/Lbs 11.3-16.9 Nm.
10	UP00017	1	S	SHORT BLOCK (See "Engine Internal" illustration and parts list)
11	UP00014	1		COMPLETE STARTER ASSEMBLY
12	82546	3	S/P	SCREW-Taptite (8-16 X 1/2") Torque Specs 10-20 In/Lbs 1.1-2.3 Nm.
13	09221	1	S	BAFFLE-Air
14	98770A	1	/P	PULLEY-Starter
15	9789902	1	S/P	ROPE-Starter (42")
16	A98773A	1	S/P	SPRING & CONTAINER
17	PS00179	1	/P	GRIP-Starter
18	82538	4	/P	SCREW-Taptite (10-24 X 3/4") Torque Specs 30-40 In/Lbs 3.4-4.5 Nm.
19	UP00023	1	S	HOUSING-Rear Kit
20	82537	2	/P	SCREW-Taptite (10-14 X 7/8")
21	UP00024	1		CONTROL HANDLE ASSY.
22	82537	8	/P	SCREW-Taptite (10-14 X 7/8") Torque Specs 30-50 In/Lbs 3.4-5.6 Nm.
23	09219	1	/P	TRIGGER-Throttle
24	09220	1	/P	INTERLOCK-Throttle
25	09285	1	/P	CABLE-Throttle
26	09375	1	S/P	SWITCH
27	A09367	1	S	LEAD-Electrical
28	PS00218	1	/P	GUARD-Muffler
29	82541	2	/P	SCREW-Thread Forming (10-14 X 1/2") Torque Specs 5-20 In/Lbs .6-2.3 Nm.



ST155V String Trimmer UT-20717
Muffler - Air Cleaner

Page 8 of 10

Ref #	Part Number	Qty	S/P/F	Description
1	A07142A	1	S	MUFFLER ASSY.
2	82600	3	/P	SCREW, Taptite - (8-32 X 3/8") Torque Specs 25-35 In/Lbs 2.8-4.0 Nm.
3	06502	1	/P	SCREEN-Spark
4	09343	1	/P	GASKET-Muffler
5	88083	2	S/P	SCREW, Truss Hd. - (10-24 X 2.188) Torque Specs 50-60 In/Lbs 5.6-6.8 Nm.
6	UP00022	1	S	AIR FILTER KIT
7	98760	1	/P	FILTER-AIR
8	81208	2	/P	NUT-Hex (10-24) Torque Specs 30-40 In/Lbs 3.4-4.5 Nm.



ST155V String Trimmer UT-20717
Shaft - Spool & String - Grass Deflector

Page 10 of 10

Ref #	Part Number	Qty	S/P/F	Description
1	A07136	1	S	FRONT HANDLE
2	80295	1	/P	SCREW-Cap Hex Hd. (10-24 X 2")
3	93992	1	/P	NUT-Wing (1/4-20) Torque Specs 5-25 In/Lbs .6-2.8 Nm.
4	A08736	1	S	HOUSING-Drive Shaft
5	08224A	1	S	DECAL-Starting Inst.
6	02985	1	S	DECAL-Warning
7	07928	1	S/P	CLAMP
8	UP03031	1	S	SHAFT-Flexible
9	88077	1	S	SCREW-Sems Hex Hd. (10-24 x .375)
10	A04704	1	S	DEFLECTOR & BLADE (100 Degree)
11	80295	1	/P	SCREW-Cap Hex Hd. (1/4-20 X 2")
12	84006	1	/P	WASHER-Flat (1/4")
13	83009	1	/P	WASHER-Lock (1/4")
14	A03832	1	S	BLADE-Cut-Off Kit
15	82531	2	/P	SCREW-Mech. Hex Hd. (10-24 X 7/8") Torque Specs 30-50 In/Lbs 3.4-5.6 Nm; Required Loctite Rec 262
16	81261	2	/P	NUT-Hex (10-24)
17	81242	1	/P	NUT-Hex (1/4-20)
18	A98231A	1	S/P	HOUSING & EYELET
19	A989122	1	S	SPOOL & STRING (.080" Line)
20	06713	1	/P	SPRING-Compression
21	A98866A	1	S/P	RETAINER-Spool (R.H. Thread, Black)