

EN ACCESSORIES
F ACCESSOIRES
NL TOEBEHOREN
D ZUBEHÖR
I ACCESSORI
E ACCESORIOS
P ACESSÓRIOS

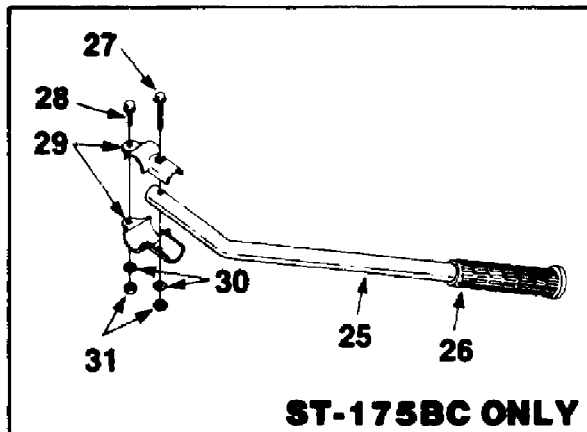
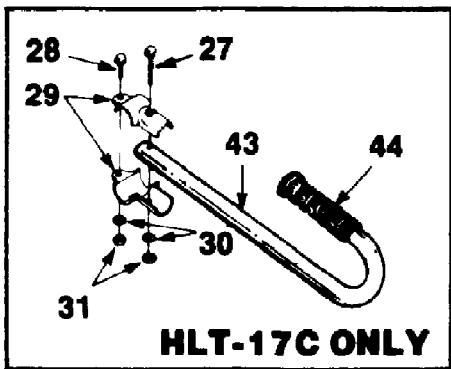
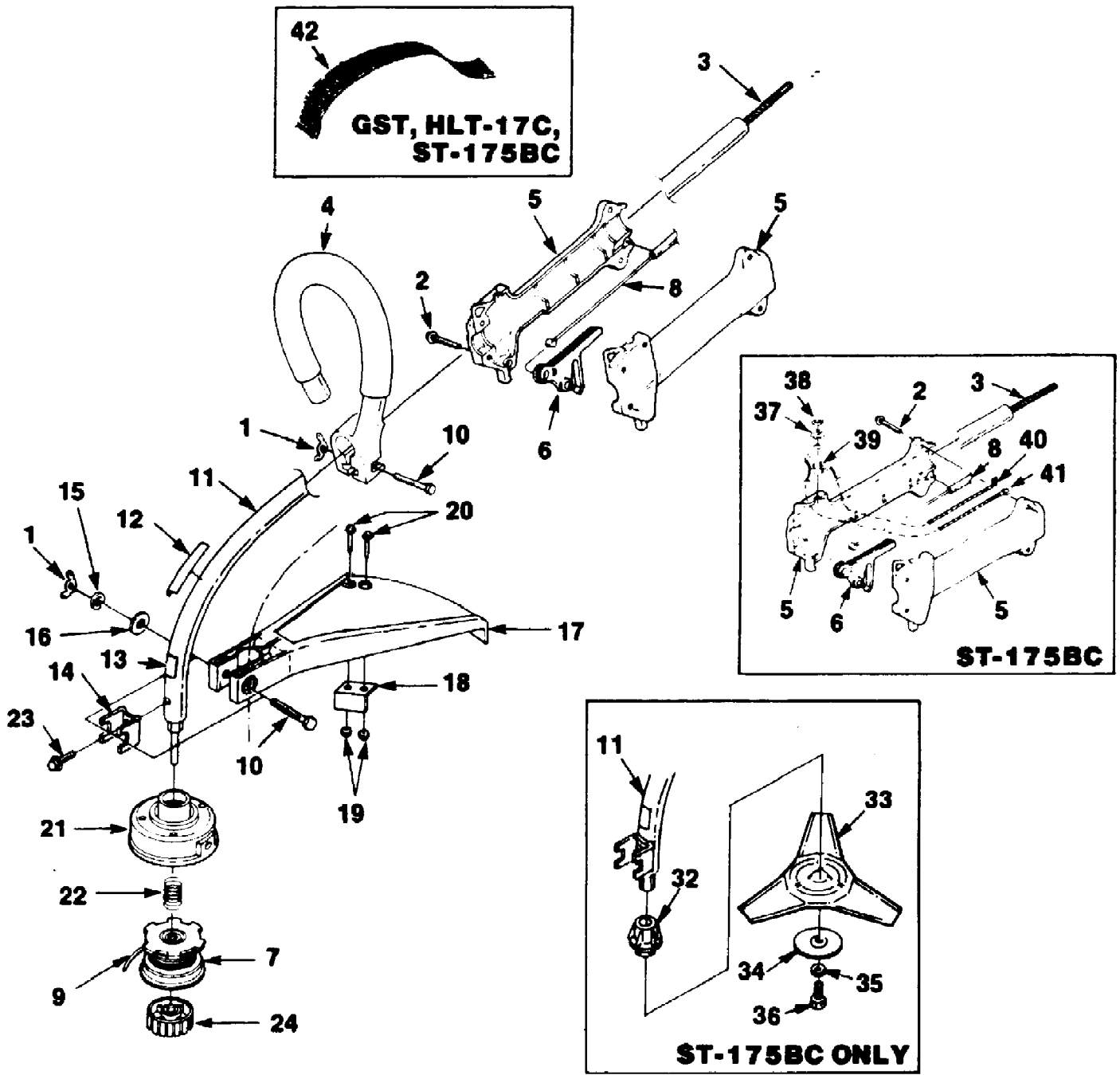
- | | |
|---|--|
| EN Saw Blade D-98935-A | EN Ignition Test Spark Plug JA-31316-4 |
| F Lame de scie | F Testeur d'allumage |
| NL Zaagblad | NL Bougie voor ontstekingscontrole |
| D Sägeblatt | D Testzündkerze für Zündprüfung |
| I Lama di sega | I Candela di collaudo |
| E Cuchilla de la sierra | E Bujía para probar el encendido |
| P Lâmina de serra | P Vela de ensaio da ignição |
| EN Grease, Multi-Purpose 18453 | EN Rubber Tubing (10 ft) (3,05 m) 94772-99 |
| F Graisse universelle | F Tubes en caoutchouc (3,05 m) |
| NL Universeel vet | NL Rubber slang (3,05 m) |
| D Mehrzweck-Schmiermittel | D Gummirohr (3,05 m) |
| I Grasso, multiuso | I Dotto di gomma (3,05 m) |
| E Grasa universal | E Tubo de caucho (3,05 m) |
| P Lubrificante, para fins múltiplos | P Tubo de borracha (3,05 m) |
| EN Machete Blade DA-00714-A | EN Starter Rope (250 ft Reel) (76 m) 98052-A |
| F Lame Machete | F Cordon de lanceur (bobine de 76 m) |
| NL Macheteblad | NL Startkoord (spoel met 76 m) |
| D Machete-Blatt | D Starterseil (76 m Spule) |
| I Lama Machete | I Corda d'avviamento (bobina da 76 m) |
| E Cuchilla Machete | E Cuerda de arranque (carrete de 76 m) |
| P Lâmina Machete | P Cabo do arrancador (rolo de 75 m) |
| EN Thread Locking Compound 23488-C | EN Replacement String (3 lb. box) (0,095 dia.) 03959-04 |
| F Produit de blocage de filetage | F Corde de rechange (boîte de 1,3 kg) (0,095 diam.) |
| NL Borgmiddel voor schroefdraden | NL Nieuwe draad (1,3 kg in een doos) (0,095 doorsnede) |
| D Gewinde-Sicherungsmasse | D Ersatz-Schneidfaden (Schachtel zu 1,3 kg) (0,095) |
| I Composto di bloccaggio della filettatura | I Corda di ricambio (scatola di 1,3 kg) (0,095 di diam.) |
| E Pasta selladora de roscas | E Cuerda de repuesto (caja de 1,3 kg) (dia. 0,095) |
| P Composto de retenção de roscas | P Fio de substituição (caixa de 1,3 kg) (0,095 de diâmetro) |
| EN Module Air Gap Shim 24306 | EN Torx Bit (for clutch drum) T25 24982-03 |
| F Cale d'écartement modulaire | F Foret torx (pour tambour d'embrayage) |
| NL Modulair vulstuk voor de luchtopening | NL Torx drijfbit (voor koppelingstrommel) |
| D Modul-Luftspalt-Beilagscheibe | D Torx-Antriebsbit (für Kupplungstrommel) |
| I Spessore di distanza modulare | I Punta Torx Drive (per il tamburo della frizione) |
| E Placa de relleno de la separación del módulo | E Broca de empuje Torx (tambor del embrague) |
| P Chapa de separação do módulo | P Broca Torx (para o tambor da embraiagem) |
| EN Grass Anti Wrap Kit A-04191 | EN Torx Drive Bit T-27 18566-01 |
| F Nécessaire anti-enroulement d'herbe | F Foret torx |
| NL Apparaatje om te voorkomen dat gras zich rond de aandrijfas wikkelt | NL Torx-drijfbit |
| D Gräserückhalter | D Torx-Antriebsbit |
| I Kit antiavvolgimento d'erba | I Punta Torx Drive |
| E Dispositivo contra la acumulación de pasto | E Broca de empuje Torx |
| P Dispositivo contra a acumulação de relva | P Broca accionadora Torx |

* ST-145, ST-155, ST-175, ST-175G, ST-175C, ST-175BC, HGT, GST, HLT-16, HLT-17C

ST155 String Trimmer UT-20539-C
Accessories

Page 2 of 11

Ref #	Part Number	Qty	S/P/F	Description
D-98935-A	D98935A	1		Saw Blade
18453	18453	1	/P	Grease, Multi-Purpose
DA-00714-A	DA00714A	1		Machete Blade
23488C	23488C	1		Thread Locking Compound
24306	24306	1	S	Module Air Gap Shim
A-04191	A04191	1		Grass Anti Wrap Kit ST-145, ST-155, ST-175, ST-175G, ST-175C, ST-175BC, HGT, GST, HLT-16, HLT-17C
JA313164	JA313164	1		Ignition Test Spark Plug
9477299	9477299	1	/P	Rubber Tubing (10 ft.) (3.05 m)
98052-A	98052A	1	/P	Starter Rope (250 ft. Reel) (76 m)
03959-04	0395904	1		Replacement String (3 lb. box) (0.095 dia.)
24982-03	2498203	1	S	Torx Bit (for clutch drum) T25
18566-01	1856601	1	/P	Torx Drive Bit T-27



ST155 String Trimmer UT-20539-C
Boom & Head

Page 4 of 11

Ref #	Part Number	Qty	S/P/F	Description
1	93992	2	/P	NUT- Wing
2	82368	5	S	SCREW- Plastite (#8 x 3/4")
3	98816	1	S	SHAFT- Flexible
4	98822	1		HANDLE- Front (ST-145, ST-155, HGT)
	A98525	1		HANDLE- Front (ST-175, ST-175C, ST-175BC, GST)
5	A00879	1	/P	HANDLE GRIP ASSEMBLY
6	98772A	1	S	TRIGGER
7	DA98911B	1	S/F	SPOOL & STRING(ST-155)
	02985	1	S	SPOOL & STRING (HLT-16, HLT-17C)
	DA98912B	1	F	SPOOL & STRING (Dual Line)
8	A03006	1	/P	CABLE- Throttle
9	DA97952B	1	S	LINE- Replacement (.080 Dia.) (100 Ft.)
	0395903	1	S	LINE- Replacement (.095 Dia.) (1 lb. box) (HLT-16, HLT-17C)
10	80295	2	/P	SCREW (10-24 x 2")
11	A00104A	1		HOUSING- Drive Shaft
12	989231	1		DECAL- Starting Instructions
13	02985	1	S	DECAL- Warning
14	98853	1		CLAMP
	A00771	1		HOUSING- Drive Shaft (HLT-16)
	989231	1		DECAL- Starting Instructions
	02985	1	S	DECAL- Warning
	A00774	1		HOUSING- Drive shaft (HLT-17C)
	989241	1		DECAL-Starting Instructions (HLT-17C)
	02985	1	S	DECAL- Warning (HLT-17C)
	00588	1		DECAL- Warning (Not Shown) (HLT-17C)
	A02720	1	S	HOUSING- Drive shaft (ST-1 75BC)
	989241	1		DECAL-Starting Instructions (ST-1 75BC)
	02985	1	S	DECAL- Warning (ST-175BC)
	98853	1		CLAMP (ST-175BC)
	00588	1		DECAL- Warning (Not Shown) (ST-175BC)
15	83009	1	/P	LOCKWASHER (1/4")
16	84006	1	/P	WASHER- Flat (1/4")
17	98821	1		DEFLECTOR- Grass
	02610	1	S/P	DEFLECTOR- Grass (ST-175G, ST-175BC, GST, HLT-17C)
18	A03834	1		BLADE- Cut off (ST-145. ST-155)
19	81261	2	/P	NUT- (10-24)
20	82531	2	/P	SCREW- (10-24 x 7/8")
	A03832	1	S	BLADE- Cut-off (ST-175C, ST-175G, ST-175BC, HGT, HLT-16, HLT-17C)
	81261	2	/P	NUT- (10-24)
	82531	2	/P	SCREW- (10-24 x 7/8")
	A03833	1		BLADE- Cut-off (GST)
	81261	2	/P	NUT (10-24)
	82531	2	/P	SCREW (10-24 x 7/8")
21	A98231A	1	S/P	HOUSING & EYELET- Dual line
22	98848	1	S	SPRING- Compression
23	82541	1	/P	SCREW (#10 x 1/2")
24	DA98866A	1	S	RETAINER- Spool (R.H. Thread)

ST155 String Trimmer UT-20539-C
Boom & Head

Page 5 of 11

Ref #	Part Number	Qty	S/P/F	Description
	A02781	1		RETAINER- Spool (ST-1 75BC, HLT-1 7C)
25	A97709A	1		HANDLE BAR (ST-175BC)
26	94474B	1	/P	GRIP (ST-175BC)
27	88071	1		SCREW (ST-175BC, HLT-17C)
28	88078	1	/P	SCREW (ST-175BC, HLT-17C)
29	00422	2	S/P	CLAMP (ST-175BC, HLT-17C)
30	83061	2	/P	WASHER (ST-175BC, HLT-17C)
31	81267	2	/P	NUT (ST-175BC, HLT-17C)
32	02617	1		ADAPTOR (ST-175BC, HLT-17C)
33	DA02616A	1		BLADE- Weed (ST-175BC, HLT-17C)
34	00580	1		WASHER- Cupped (ST-175BC, HLT-17C)
35	83030	1		WASHER (ST-175BC, HLT-17C)
36	80085	1	/P	SCREW (ST-175BC, HLT-17C)
37	95231	1	S	PLATE- Indicating (ST-1 75C, ST-1 75BC, HLT-17C)
38	72084A1	1	S	NUT (ST-175C, ST-175BC, HLT-17C)
39	93653	1	S	SWITCH- Toggle (ST-175C, ST-175BC, HLT-17C)
40	A98918	1		LEAD- Electrical (ST-175C, ST-175BC, HLT-17C)
41	A98919	1		A LEAD- Ground (ST-175C, ST-175BC, HLT-17C)
42	DA92703B	1		HARNESS w/connector (GST, ST-175BC, HLT-17C)
43	A02951	1		HANDLE BAR ("J") (HLT-17C)
44	94474B	1	/P	GRIP (HLT-17C)

CA CARBURETOR
FR CARBURATEUR
ML CARBURATEUR
D VERGASER
I CARBURATORE
E CARBURADOR
P CARBURADOR

- CA ZAMA A-03003**
- FR Repair Kit A-03979**
- P Jeu de réparation**
- ML Reparatieset**
- D Reparatursatz**
- I Kit per riparazioni**
- E Juego de reparación**
- P Jogo de reparação**

- CA Gasket/Diaphragm Kit A-03980**
- P Jeu joint/diaphragme**
- ML Pakking/membraan set**
- D Dichtung/Membrane-Satz**
- I Kit diaframma/guarnizione**
- E Conjunto junta/diafragma**
- P Jogo de juntas vedantes/diafragmas**

- CA Primer Bulb A-01195-A**
- P Bouton d'amorçage**
- ML Voorinspuitpomp**
- D Vorpumpe**
- I Cicchetto**
- E Bulbo cebador**
- P Bolha da unidade de escorvagem**

- CA Primer Base* (Aluminum) A-01194**
- Primer Base* (Plastic) A-03062**
- P Base d'amorçage* (aluminium)**
- Base d'amorçage* (plastique)**
- ML Voorinspuit-sokkel* (aluminium)**
- Voorinspuit-sokkel* (plastic)**
- D Vorpumpen-Sockel* (Aluminium)**
- Vorpumpen-Sockel* (Plastik)**
- I Base del cicchetto* (alluminio)**
- Base del cicchetto* (plastica)**
- E Base de cebador* (aluminio)**
- Base de cebador* (plástico)**
- P Base da unidade de escorvagem* (Alumínio)**
- Base da unidade de escorvagem* (Plástico)**

- CA *Primer Base kits are not interchangeable.**
- P *Les jeux de base d'amorçage ne sont pas interchangeables.**
- ML *Sokkel-sets voor voorinspuiten zijn niet verwisselbaar.**
- D *Sockelsätze für die Vorpumpe sind nicht austauschbar.**
- I *I kit della base del cicchetto non sono intercambiabili.**
- E *Los juegos de base de cebador no son intercambiables.**
- P *Os jogos de base da unidade de escorvagem não são intercambiáveis.**

- CA Swivel Kit A-00289**
- P Jeu de pivots**
- ML Zwenkset**
- D Drehzapfen-Satz**
- I Serie di ingranaggi girevoli**
- E Juego de enganche giratorio**
- P Jogo da rótula**

- CA WALBRO A-03002**
- FR Repair Kit A-02665**
- P Jeu de réparation**
- ML Reparatieset**
- D Reparatur-Satz**
- I Kit di riparazione**
- E Juego de reparación**
- P Jogo de reparação**

- CA Gasket/Diaphragm Kit A-00285-A**
- P Jeu joint/diaphragme**
- ML Pakking/membraan set**
- D Dichtung/Membrane-Satz**
- I Kit diaframma/guarnizione**
- E Conjunto junta/diafragma**
- P Jogo de juntas vedantes/diafragmas**

- CA Swivel Kit A-00289**
- P Jeu de pivots**
- ML Zwenkset**
- D Drehzapfen-Satz**
- I Serie di ingranaggi girevoli**
- E Juego de enganche giratorio**
- P Jogo da rótula**

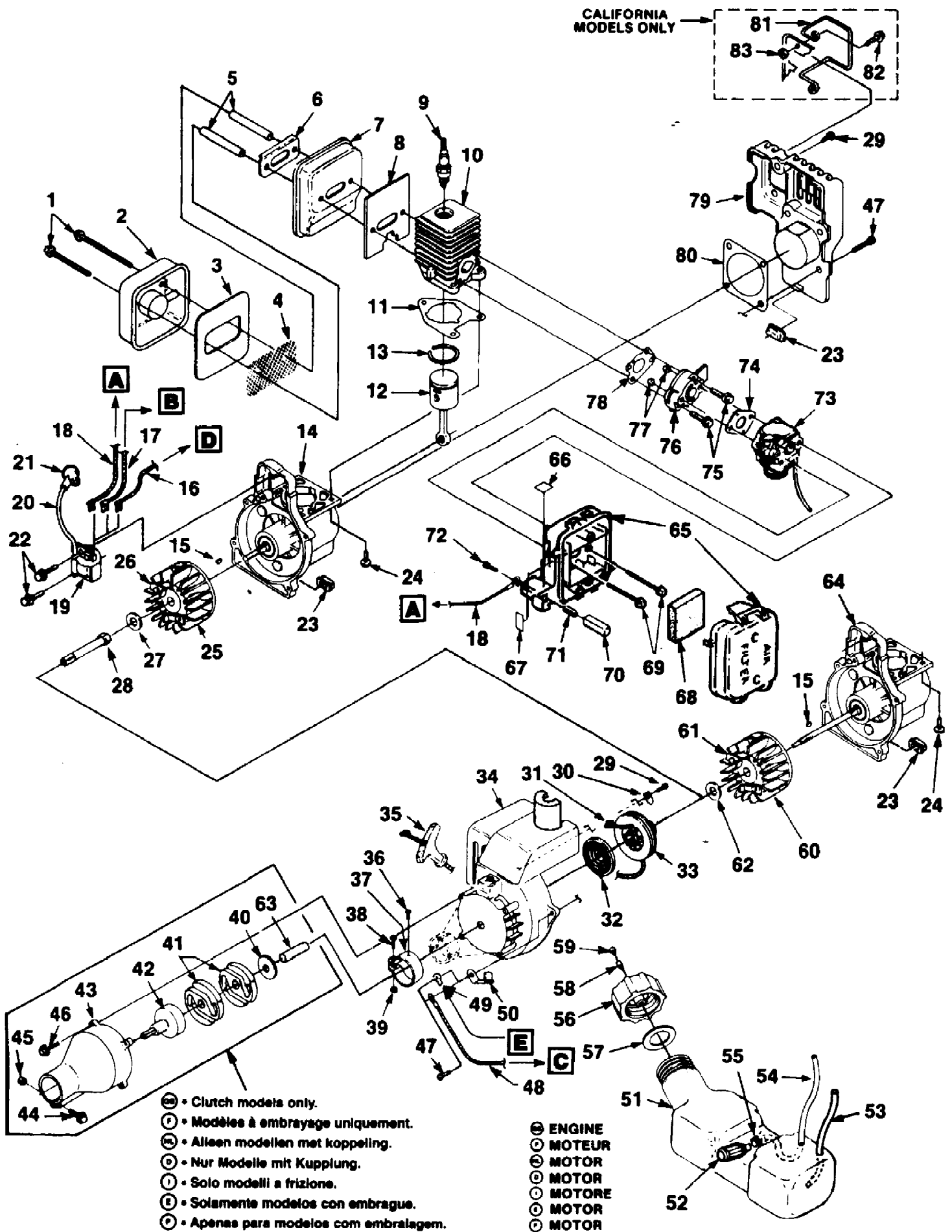
- CA Primer Bulb 01201**
- P Bouton d'amorçage**
- ML Voorinspuitpomp**
- D Vorpumpe**
- I Cicchetto**
- E Bulbo cebador**
- P Bolha da unidade de escorvagem**

- CA Primer Base* A-01200-A**
- P Base d'amorçage***
- ML Voorinspuit-sokkel***
- D Vorpumpen-Sockel***
- I Base del cicchetto***
- E Base de cebador***
- P Base da unidade de escorvagem***

ST155 String Trimmer UT-20539-C
Carburetor

Page 7 of 11

Ref #	Part Number	Qty	S/P/F	Description
A-03003	A03003	1		ZAMA
A-03979	A03979	1		Repair Kit
A-03980	A03980	1		Gasket/Diaphragm Kit
A-01195-A	A01195A	1	S	Primer Bulb
A-01194	A01194	1		Primer Base (Aluminum) Primer Base kits are not interchangeable.
A-03062	A03062	1		Primer Base (Plastic) Primer Base kits are not interchangeable.
A-00289	A00289	1		Swivel Kit
A-03002	A03002	1		WALBRO
A-02665	A02665	1		Repair Kit
A00285A	A00285A	1		Gasket/Diaphragm Kit
A-00289	A00289	1		Swivel Kit
01201	01201	1	S	Primer Bulb
A-01200-A	A01200A	1		Primer Base Primer Base kits are not interchangeable.



Ref #	Part Number	Qty	S/P/F	Description
1	88060	2	S/P	SCREW- (10-24 x 2 1/2")
2	A98780	1	S	COVER- Muffler
3	98782	1	S	BAFFLE- Muffler
4	98784A	1		SCREEN- Spark
5	98860A	2	S	SPACER- Muffler
6	98783	1	/P	PLATE- Reinforcing
7	A01323	1	S	BODY- Muffler
8	98786B	1		GASKET- Muffler
9	96169S	1	S	SPARK PLUG (DJ7Y)
	79252	1	S	SPARK PLUG (RDJ7Y) (Int'l)
10	A00108	1		CYLINDER & GASKET (ST-145,ST-155,ST-175BCST-175C,ST-175G,
11	03703A	1	S	GASKET- Cylinder
	A03785A	1	S	CYLINDER & GASKET (HLT-16,HLT-17C,HLT-28,HBC-18,HBC-30,HE
	03703A	1	S	GASKET- Cylinder
12	A04258	1	S	PISTON & ROD ASSEMBLY (ST-145,ST-155,ST-175BC,ST-175C,ST-175G
13	96935	1	S	RING- Piston
	A03705	1		PISTON & ROD ASSEMBLY (HLT-16,HLT-17C,HLT-28,HBC-18,HBC-30,HE
	03179	2	/P	RING- Piston
14	A00517	1		CRANKCASE (ST-145, ST-155, ST-175G, ST-275, GST, HGT)
	A00574	1		CRANKCASE (HLT-16, HLT-28)
15	69250	1	/P	KEY- Woodruff
16	A00681	1		LEAD- Electrical (ST-385BC, HBC-30, HBC-30B)
17	A98918	1		LEAD- Electrical (ST-175BC,ST-175C,ST-185BC,ST-285BC,HL
18	A98809	1	S	LEAD- Electrical (ST-145,ST-155,ST-175G,ST-275,GST,HGT,H
19	94711CS	1	/P	MODULE- Ignition
20	69326	1		LEAD- High-Tension
21	A33055	1	/P	TERMINAL- High-Tension
22	82540	2	/P	SCREW- Taptite (8-32 x 1")
23	98792	3	/P	BUMPER- Rubber
24	82569	3	S	SCREW- (10-24 x 3/4") (T-27)
25	A04158	1	S	ROTOR (ST-145, ST-155, ST-175G, ST-275, HGT, GST, HLT-16, HLT-28)
26	A70285E	1	/P	KIT- Starter pawl
27	84065	1	S	WASHER- Flat (5/16") (ST-145,ST-155,ST-175GST-275,GST,HGT,HI
28	98795A	1	/P	CONNECTOR- Drive (ST-145, ST-155, ST-175G, ST-275, HLT-16, HLT-28)
29	82541	4	/P	SCREW- Plastite (10 x 1/2")
30	98791	1	/P	BRACKET- Retaining
31	9789902	1	S/P	ROPE- Starter (42")

Ref #	Part Number	Qty	S/P/F	Description
32	A98773	1		SPRING & CONTAINER
33	98770	1		PULLEY- Starter
34	A02576B	1		HOUSING Engine (ST-175BC,ST-175C,ST-185BC,ST-285BC,ST
	A02575B	1	S	HOUSING- Engine (ST-145, ST-155, ST-175G, ST-275, HLT-16, HLT-28)
35	02264	1	S	GRIP- Starter
36	82522	1		SCREW- Pan hd. (#10 x 3/8")
37	98802A	1	S	CLAMP
38	82268	1		SCREW- Hex sems (10-24 x 3/8")
39	97574	1		NUT- Square
40	98929A	1	S/P	WASHER- Clutch (ST-175BC,ST-175C,ST-185BC,ST-285BC,GS
41	00242	1	/P	CLUTCH (ST-175BC, ST-175C,ST-185BC,ST-285BC,ST-385BC,GS
42	A02727	1	S	CONNECTOR & DRUM (ST-175BC,ST-175C,ST-185BC,ST-285BC,ST
	A03485A	1	S	CONNECTOR & DRUM (HLT-17C-UT2059-A, HBC-18, HBC-30, HBC-30B)
43	A02396A	1	/P	TUBE ADAPTOR (ST-175BC,ST-175C,ST-185BC,ST-285BC,ST
44	88054	1	S	SCREW (10-24 x 1 1/4")
45	81208	1	/P	NUT (10-24)
46	88052	1	/P	SCREW (10-24 x 7/8")
47	82538	1	/P	SCREW- Taptite (10-24 x 3/4")
48	A98919A	1	S	LEAD- Ground
49	02851	1	/P	TERMINAL
50	A98808	1		BRACKET- Cable
51	A01441	1		TANK- Fuel
52	49422	1	S	FILTER- Fuel
53	0143932	1	S/P	TUBING- Rubber (8")
54	9477232	1	S	TUBING- Rubber (8")
55	98268	1	S/P	CLAMP- Wire
56	A00982A	1		FUEL CAP ASSEMBLY
57	98805A	1	/P	GASKET- Fuel cap
58	03134	1	S/P	VALVE- Duck bill
59	98913	1	S	FILTER- Cap
60	A00856	1	S	ROTOR (ST-175BC,ST-175C,ST-185BC,ST-285BC,ST
61	A70285E	1	/P	STARTER PAWL
62	95479A	1	/P	WASHER
63	035662	1	S	SPACER
	A00857	1	S	ROTOR (HLT-17C-UT-20596-A, HLT-16, HLT-28, HBC-18, HBC-30, HBC-30B)
	A70285E	1	/P	STARTER PAWL
	95479A	1	/P	WASHER
	035661	1	S	SPACER

Ref #	Part Number	Qty	S/P/F	Description
64	A00575	1		CRANKCASE (ST-175BC, ST-175C, ST-185BC, ST-285BC, ST-385BC, GST-BC)
	A00551	1		CRANKCASE (HLT-17C, HBC-18, HBC-30, HBC-30B)
65	A01440A	1	S	AIR FILTER BOX
66	98943	1		DECAL- Push-Hold
67	00772	1		DECAL- Choke-Run
68	D98760A	1		FILTER- Air
69	82542	1	/P	SCREW- (10-24 x 2 1/4")
70	98769	1	/P	BUTTON- Switch
71	95020	1	S	SPRING- Compression
72	93923	1	S	SCREW- Plastite (#6)
73	A03003	1		CARBURETOR (Walbro)
	A03002	1		CARBURETOR (Zama)
74	98766A	1	S/P	GASKET- Carburetor
75	825491	1	S	SCREW- Taptite (10-24 x 1")
76	98768	1	S	HEAT DAM
77	81208	1	/P	NUT (10-24)
78	98765B	1	/P	GASKET- Heat dam
79	A00858	1	/P	CRANKCASE COVER
80	98767A	1	/P	GASKET- Crankcase cover
81	A00254	1	S	WIRE GUARD KIT
82	88049	1	/P	SCREW- Hex sems (10-24 x 1/2")
83	81208	1	/P	NUT (10-24)