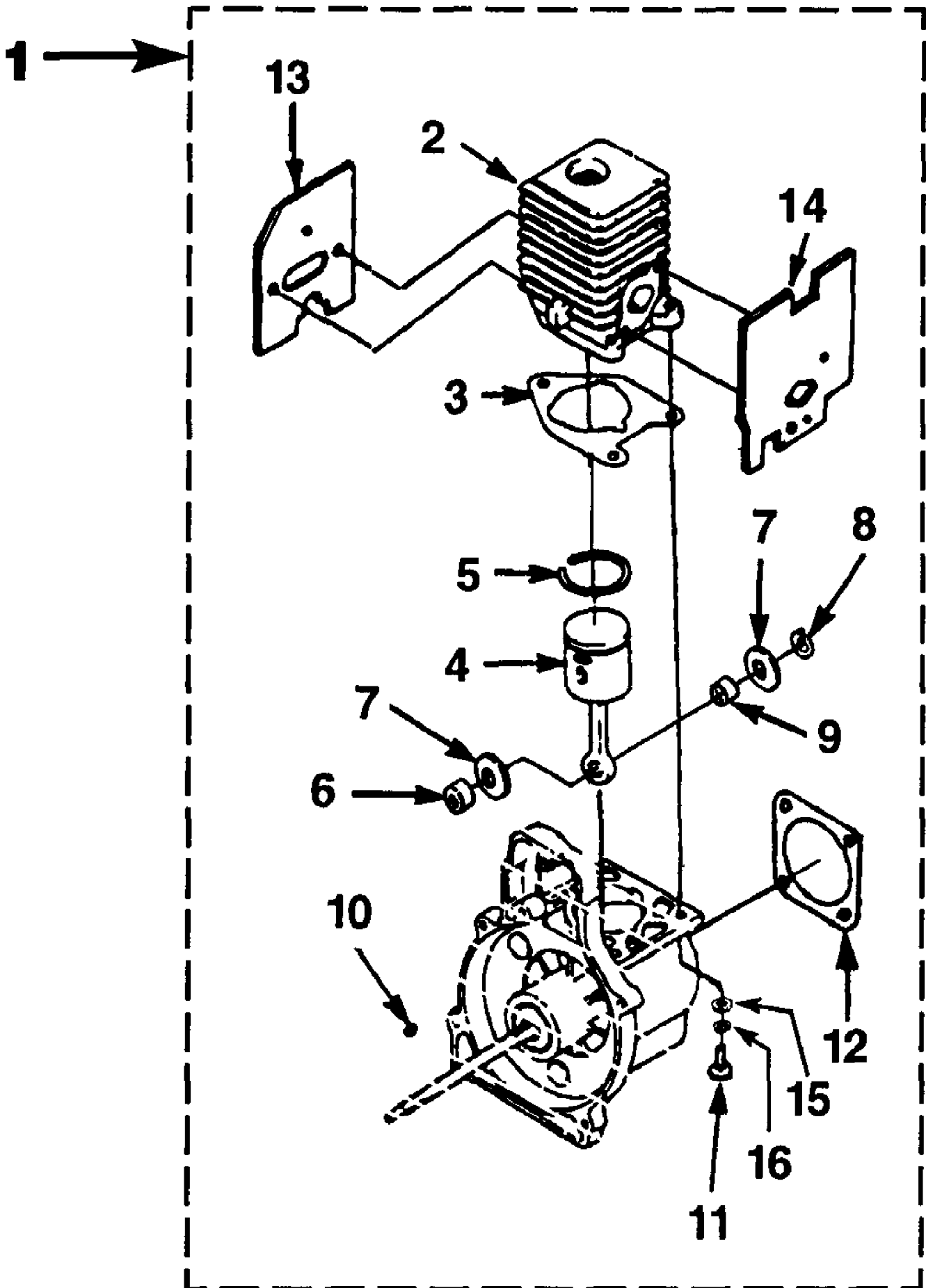


PLT3400 String Trimmer UT-15090-C
Carburetor - Fuel Tank

Page 2 of 12

Ref #	Part Number	Qty	S/P/F	Description
F	A04658	1	S	FUEL TANK
1	0143917	1	S/P	TUBING-Rubber (4 1/4")
2	9477230	1	S	TUBING-Rubber (7 1/2")
3	98268	1	S/P	CLAMP-Wire
4	49422	1	S	FILTER-Fuel
5	98792	3	/P	BUMPER-Rubber
6	A00982B	1	S	CAP-Fuel Tank
7	88060	2	S/P	SCREW-Sems Hex Hd. (10-24 X 2 1/2")
8	08840	1	/P	GASKET-Heat Dam See "Engine Internal" illustration and parts list. Also included in Short Block and Cylinder Kit
9	880821	2		SCREW-Sems, Torx (10-24 X 1.12") Torque Specs: 40-50 In/Lbs; 4.5-5.6 Nm
10	00864B	1	S	HEAT DAM
11	81208	2	/P	NUT-Hex (10-24) Torque Specs: 40-50 In/Lbs; 4.5-5.6 Nm
12	98766A	1	S/P	GASKET-Carburetor Also included in Short Block and Cylinder Kit
B	07244	1	S	CARBURETOR (Zama)
	A02607	1		CARBURETOR (Walbro)
?D	A04707A	1	/P	AIR FILTER See "Muffler - Air Cleaner" illustration and parts list
C		1		UNKNOWN



PLT3400 String Trimmer UT-15090-C
Engine Internal

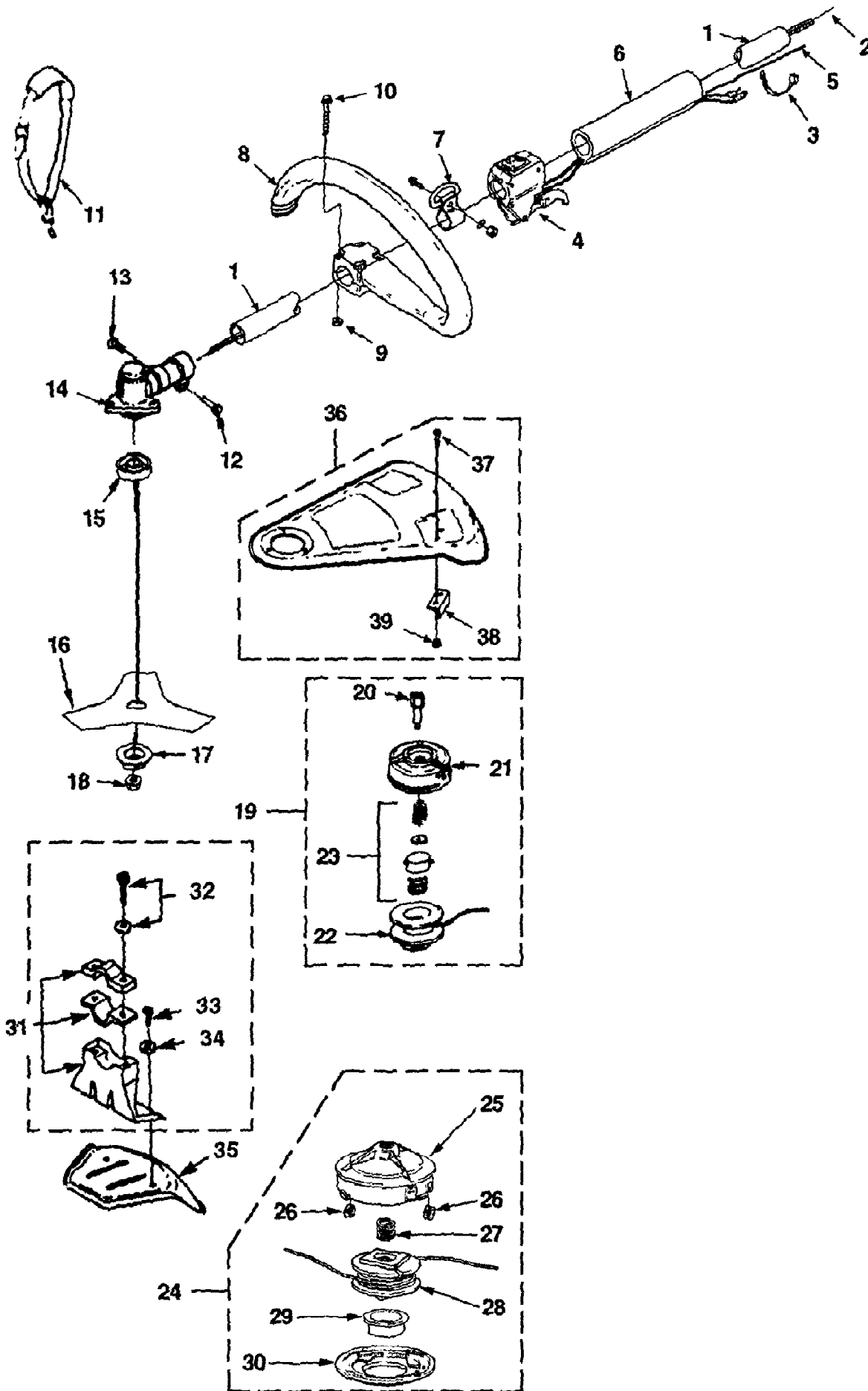
Page 4 of 12

Ref #	Part Number	Qty	S/P/F	Description
1	UP00879	1	/P	SHORT BLOCK
2	UP07146	1	S/P	CYLINDER & GASKET See "Muffler - Air Cleaner" illustration and parts list.
3	04388B	1	S/P	GASKET-Cylinder
4	A06291B	1	S	PISTON & ROD
5	04933	1	/P	RING-Piston
6	04860	1		SPACER-Bearing
7	00118	2		WASHER-Thrust
8	03796	1		RING-Retaining
9	02461	1		BEARING-Needle
10	69250	1	/P	KEY-Woodruff
11	825801	3	/P	SCREW-Torx Pan Hd. (12-24 X 3/4") Torque Specs: 55-60 In/Lbs; 6.2-6.8 Nm
12	98767A	1	/P	GASKET-Crankcase Also included in Cylinder Kit
13	08846	1	/P	GASKET-Muffler Also included in Cylinder Kit
14	08840	1	/P	GASKET-Heat Dam Also included in Cylinder Kit
15	84115	3	S/P	WASHER, Flat
16	83056	3		WASHER, Lock

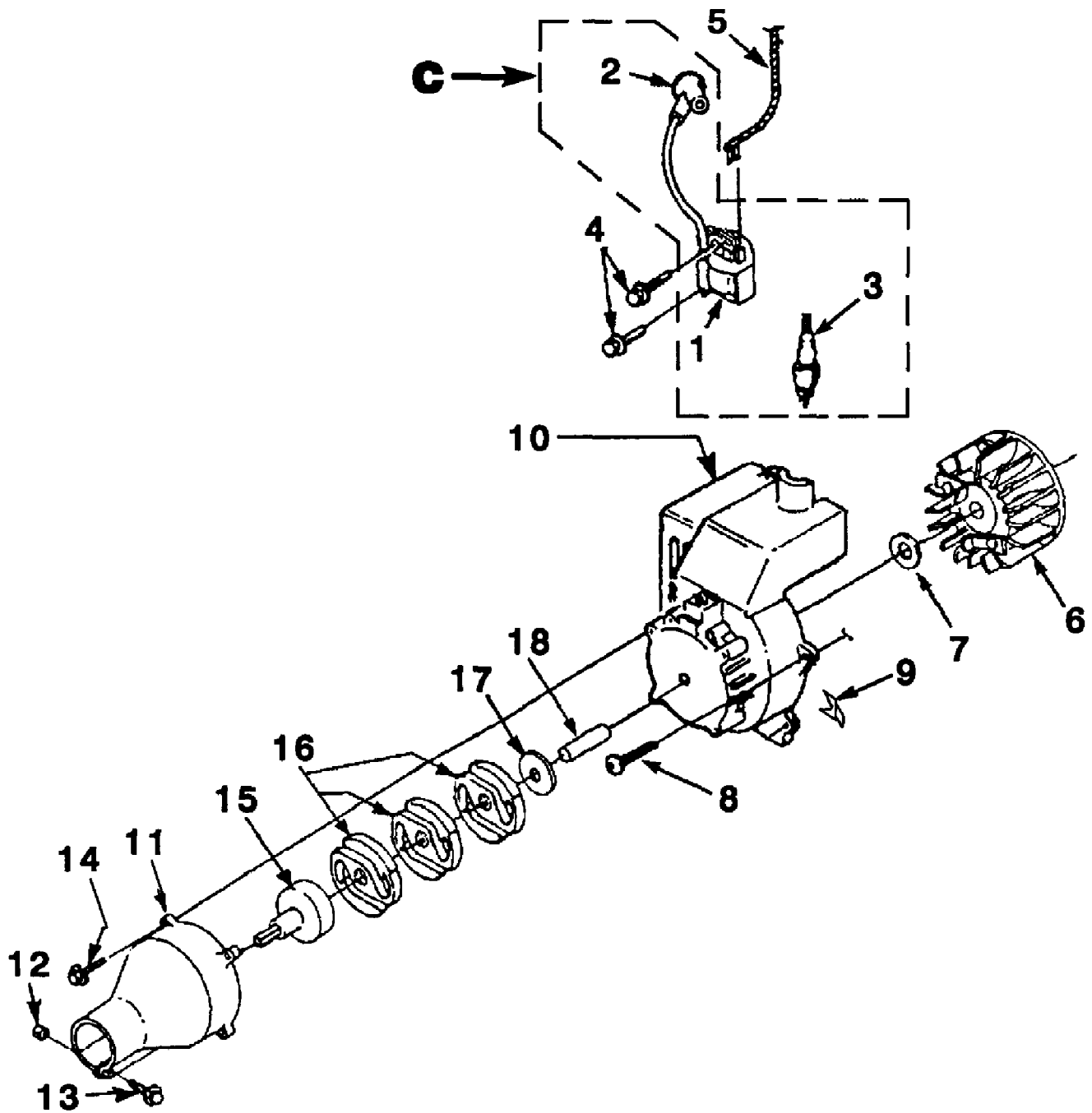
PLT3400 String Trimmer UT-15090-C

Page 5 of 12

Handle-Throttle-Driveshaft-Gearhd-Strnght-Dflector-Blade-Harness (Part 1)



Ref #	Part Number	Qty	S/P/F	Description
1	A03800A	1	S	HOUSING-Driveshaft For model (PBC3600)
1	A08210	1	S	HOUSING-with Driveshaft For model (PLT3400)
2	04641	1		DRIVESHAFT For model (PBC3600)
2	98838	1		DRIVESHAFT For model (PLT3400)
3	PS46840	3		TIE-Cable
4	06275	1	/P	THROTTLE & SWITCH For model (PBC3600)
4	A08423B	1	S	THROTTLE & SWITCH For model (PLT3400)
5	0254206	1	S	THROTTLE CABLE
6	03234A	1	/P	HIP PAD
7	07255	1	/P	HANGER
8	A07137A	1	/P	HANDLE-Front
9	81208	4	/P	NUT (10-24)
10	82605	4		SCREW Torque Specs: 30-40 In/Lbs; 3.4-4.5 Nm
11	DA92703C	1	S	STRAP
12	82586	1	/P	SCREW-Cap Socket Hd (1/4-20 X 7/8") Torque Specs: 55-65 In/Lbs; 6.2-7.3 Nm
13	88049	1	/P	SCREW-Sems Hex Hd (10-24 X 1/2") Torque Specs: 35-45 In/Lbs; 4.0-5.1 Nm
14	A04151	1	S	GEAR HEAD
15	041681A	1	S	WASHER-Flanged
16	08297	1		BLADE-Tri-Arc
17	04409	1	/P	WASHER-Flange (Lower)
18	04277	1	/P	NUT-Lock
19	DA023331	1	/P	STRING HEAD For model (PBC3600 UT15089F)
20	03709	1	/P	BOLT, Shaft
21	02341	1	/P	HOUSING w/Eyelets
22	02355	1	/P	SPOOL & STRING
23	A02342	1		REPAIR KIT
24	A07247	1		STRING HEAD
25	07248	1		HOUSING, String
26	04141	1	/P	EYELET
27	02351	1		SPRING
28	07251	1		SPOOL W/String
29	07252	1	S	BUTTON
30	07253	1		COVER
31	A03404	1	/P	DEFLECTOR BRACKET KIT
32	03998	2		SCREW & WASHER
33	04003	2		SCREW-Machine (6M)
34	04004	2		WASHER-Flat
35	03155	1		BLADE GUARD
36	A04683A	1	/P	DEFLECTOR-Grass
37	80869	2	/P	SCREW-Mach Hex Hd. (10-24 x 3/8")
38	07128	1	/P	BLADE-Cut-Off
39	81208	2	/P	NUT-(10-24)

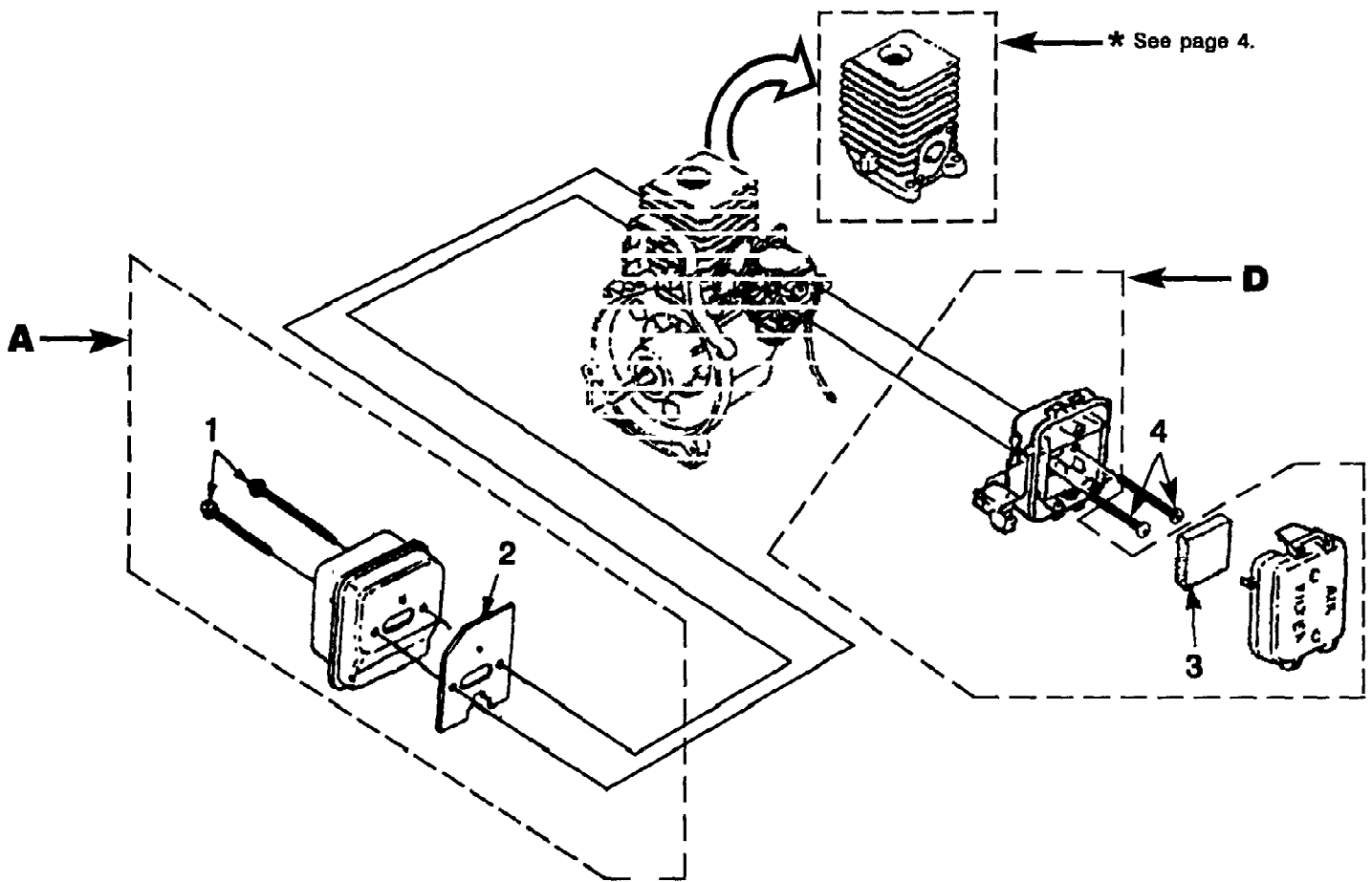


PLT3400 String Trimmer UT-15090-C

Page 8 of 12

Ignition - Rotor - Clutch For Models (PLT3400, PBC3600)

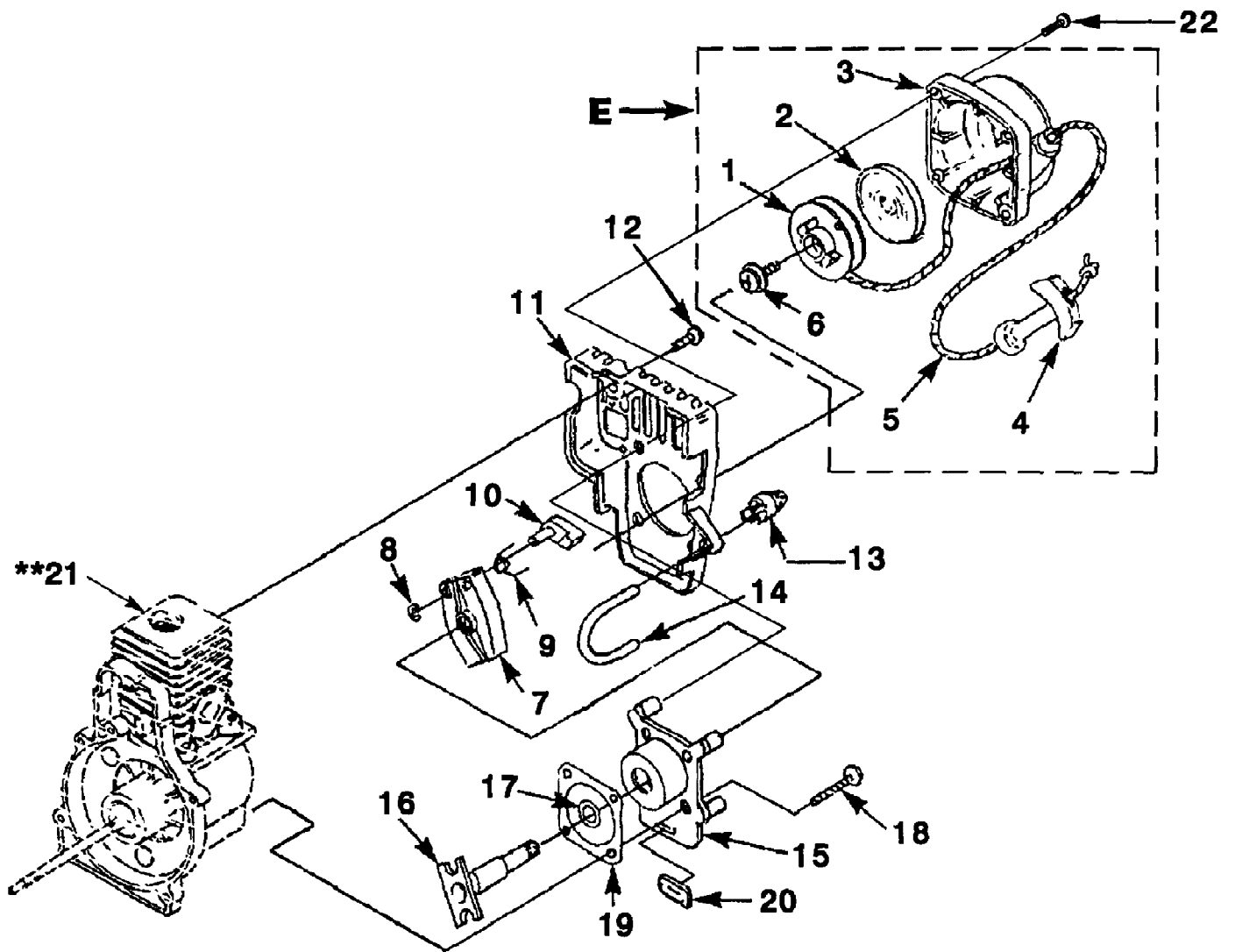
Ref #	Part Number	Qty	S/P/F	Description
C	A04446	1	S	IGNITION KIT For models (PLT3400, PBC3600)
1	94711CS	1	/P	MODULE-Ignition
2	A33055	1	/P	TERMINAL & COVER
3	D96169C	1	S/P	SPARK PLUG (DJ-7Y) Torque Specs: 120-180 In/Lbs; 13.6-20.3 Nm
4	82540	2	/P	SCREW-Thread Form. (8-32 X 1") Torque Specs: 30-40 In/Lbs; 3.4-4.5 Nm
5	A00681	1		LEAD-Electrical
6	A04158S	1	S	ROTOR & STARTER PAWL
7	95479A	1	/P	WASHER-Flat
8	82538	4	/P	SCREW-Thread Form. (10-24 X 3/4") Torque Specs: 40-50 In/Lbs; 4.5-5.6 Nm
9	02851	1	/P	TAB-Male
10	A08295	1	/P	HOUSING-Engine w/Decals
11	A02396A	1	/P	TUBE ADAPTOR KIT
12	81208	1	/P	NUT-Hex (10-24)
13	96624	1	/P	SCREW-Sems Hex Hd. (10-24 X 1 1/4")
14	88052	4	/P	SCREW-Sems Hex Hd. (10-24 X 7/8") Torque Specs: 40-50 In/Lbs; 4.5-5.6 Nm
15	A04655	1		DRUM & CONNECTOR Torque Specs: 40-50 In/Lbs; 4.5-5.6 Nm
16	00242	3	/P	CLUTCH Torque Specs: 90-110 In/Lbs; 10.1-12.4 Nm
17	98929A	1	S/P	WASHER-Clutch
18	035661	1	S	SPACER



PLT3400 String Trimmer UT-15090-C
Muffler - Air Cleaner

Page 10 of 12

Ref #	Part Number	Qty	S/P/F	Description
A	A08857	1	S	MUFFLER COMPLETE (PLT3400 & PBC3600)
	A08858	1		MUFFLER COMPLETE (PBC3600B)
1	88060	2	S/P	SCREW-Sems Hex (10-24 X 2 1/2") Torque Specs: 40-50 In/Lbs; 4.5-5.6 Nm
2	08846	1	/P	GASKET-Muffler Also included in Short Block and Cylinder Kit
D	A04707A	1	/P	AIR FILTER KIT
3	D96760B	1		FILTER-AIR
4	88060	2	S/P	SCREW-Sems Hsx Hd. (10-24 X 2 1/2") Torque Specs: 40-50 In/Lbs; 4.5-5.6 Nm



Ref #	Part Number	Qty	S/P/F	Description
E	A04069	1		STARTER-Complete
1	0406905	1	S	PULLEY-Starter
2	0406906	1	S	SPRING-Recoil
3	0406901	1		HOUSING-Starter
4	0406902	1	/P	GRIP-Starter
5	0406903	1	/P	ROPE-Starter
6	0406904	1	/P	SCREW-Set
7	A04018	1	S	CUP-Starter
8	0401804	1	S	RETAINING RING
9	0401803	1	S	SPRING-Starter
10	0401802	1	S	PAWL-Starter
11	04023	1	S	COWLING-Engine
12	82541	1	/P	SCREW-Thread Forming (#10 X 1/2") Torque Specs: 30-40 In/Lbs; 3.4-4.5 Nm
13	01183	1	/P	BULB-Air Purge
14	0143932	1	S/P	RUBBER TUBING (8")
15	A040172	1	S	CRANKCASE COVER
16	04016B	1	/P	SHAFT-Starter
17	04589	1	/P	SPACER
18	825551	4	S	SCREW-Thread Form. (10-24 X 3/4") Torque Specs: 40-50 In/Lbs; 4.5-5.6 Nm
19	98767A	1	/P	GASKET-Crankcase
20	98792	1	/P	BUMPER-Rubber
21		1		SHORT BLOCK See "Engine Internal" illustration and parts list.
22	82538	4	/P	SCREW-Taptite, T-25 Torx (10-24 X 3/4") Torque Specs: 40-50 In/Lbs; 4.5-5.6 Nm