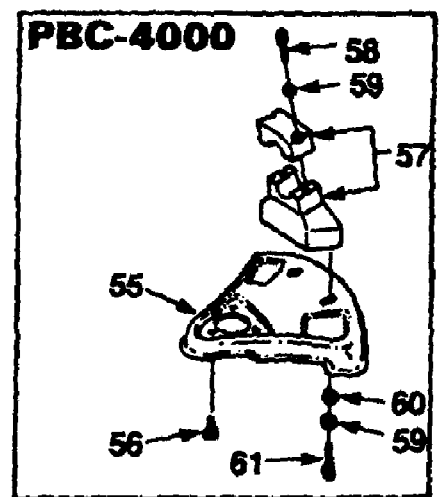
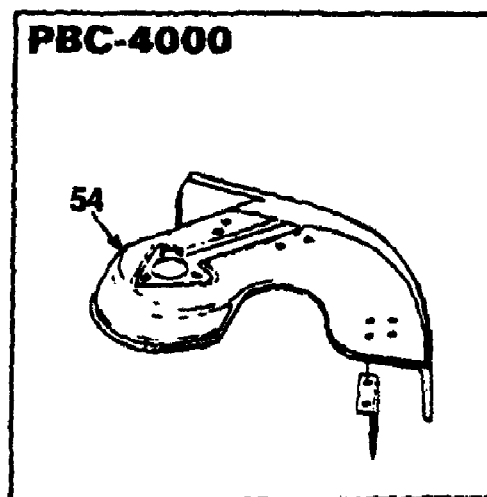
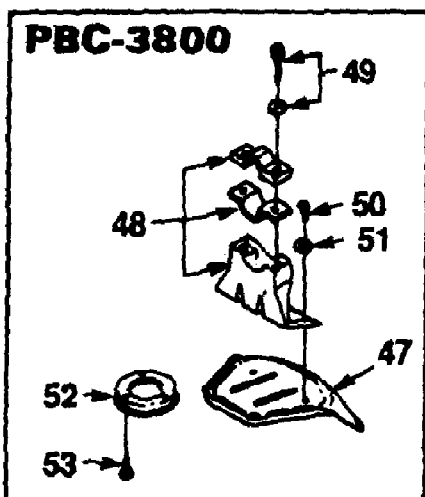
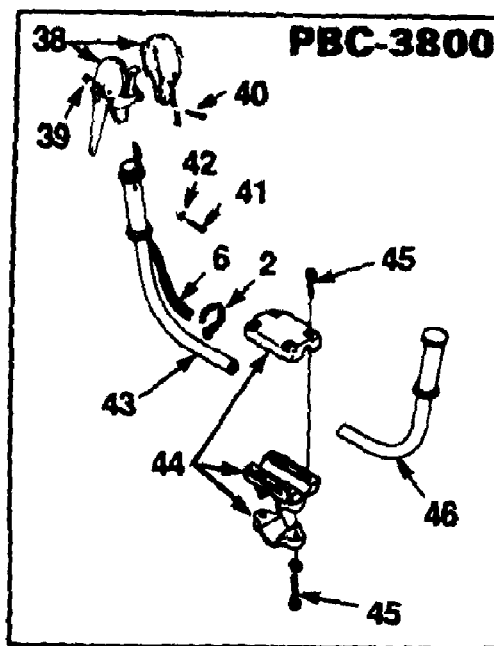
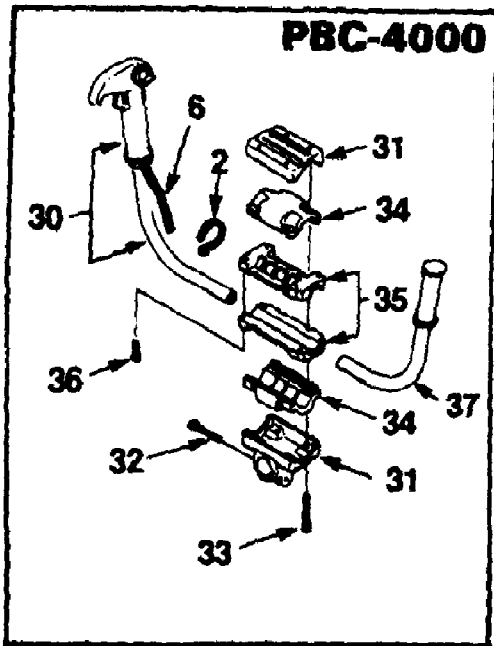
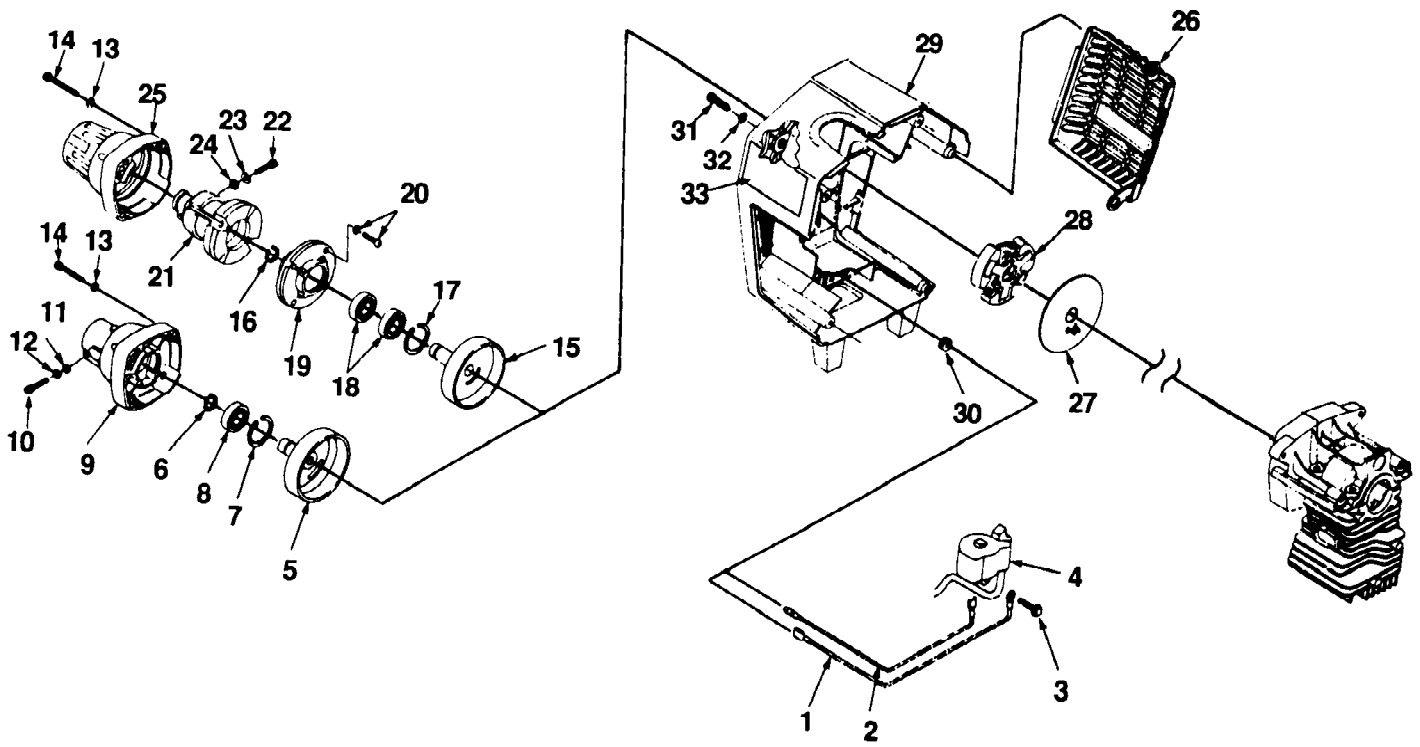


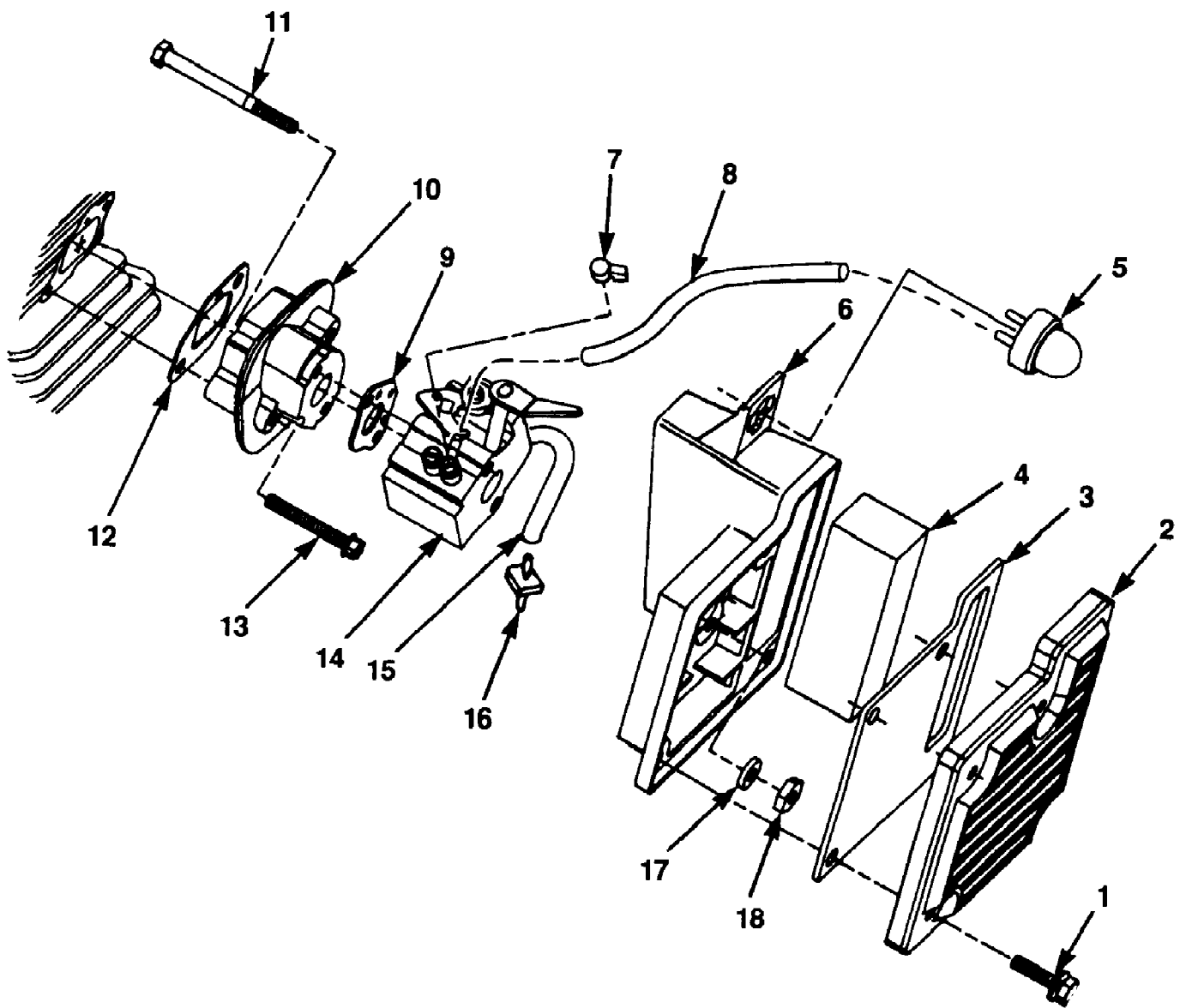
Ref #	Part Number	Qty	S/P/F	Description
1	04499	1		DRIVESHAFT
2	JA991366	2		TIE-Cable
3	02077	1		CABLE-Throttle
4	00597A	1		GRIP/HIP PAD
5	00737	1	/P	SPRING-Tension
6	A-03926	1		SLEEVING
7	04502	1		BAND-Hanger
8	00677	1	/P	NUT-Hex
9	04025	1		BOLT & WASHER
10	02836	1	S	HARNESS-Shoulder
11	A-04500	1	S	HOUSING-Driveshaft Includes Item 12.
12	02985	1	S	DECAL-Warning
13	A-04496	1	S	GEAR HEAD Includes Items 14-20.
14	03993	1		SCREW CAP
15	03994	1		SCREW & WASHER-Mach (M6)
16	04111	1		SCREW-Grease
17	04579	1		WASHER-Blade
18	03996	1		WASHER-Blade
19	02258	1		NUT-Guard
20	03997	1	S	NUT-Gear Head
21	A-04019	1	S	STRINGHEAD-Complete Includes Items 21-26.
22	04139	1		CONNECTOR-Drive
23	04021	1		EYELET
24	04123	1		KNOB (L.H.)
25	04125	1		SPOOL w/line
26	04121	1	/P	SPRING
27	031641	1	S	BLADE-Tri-Arc (10")
28	A-03928	1		MACHETE BLADE KIT Not Used on Model 3800
29	24548	1		SPACER Not Used on Model 3800



Ref #	Part Number	Qty	S/P/F	Description
2		1		UNKNOWN
6		1		UNKNOWN
30	A-03168	1		HANDLE BAR & THROTTLE (R.H.) Not used on 3800.
31	A-03947	1		HOUSING ASSEMBLY Not used on 3800. Includes Items 32 and 33.
32	03943	1	/P	SCREW-Socket (M5 X 30) Not used on 3800.
33	03944	4	/P	SCREW-Machine (M5 X 40) Not used on 3800.
34	A-03945	1	S	JOINT-Rubber Not used on 3800.
35	A-03946	1		CAST JOINT ASSEMBLY Not used on 3800. Includes Item 36.
36	03942	4	/P	SCREW-Socket (M5 X 25) Not used on 3800.
37	A-03268	1		HANDLE BAR-Left Not used on 3800.
38	A-00593	1	S	THROTTLE & SWITCH
39	81417	1		NUT-Hex
40	88183	1		SCREW-Pan Hd. (M4 X 25)
41	82528	1	/P	SCREW-Thread Form. (6 X 3/8")
42	83086	1		WASHER-Lock
43	A-00590	1	S	HANDLE BAR-Right
44	A-04049	1	S	BRACKET-Handle Bar Includes Item 45.
45	04011	6	/P	SCREW & WASHER
46	A-00591	1	S	HANDLE BAR-Left
47	03155	1		GRASS SHIELD
48	A03152A	1	S	DEFLECTOR-Bracket Kit Includes Items 49 - 51.
49	03998	2		SCREW & WASHER (Socket Hd.)
50	04003	2		SCREW-Machine (6MM)
51	04004	2		WASHER-Flat
52	03393	1		RING-Grass Shield
53	88182	3		SCREW-Machine Hex (M5 X 10)
54	A-04519	1		GRASS DEFLECTOR KIT Not used on 3800.
55	043821	1		GUARD-Blade (10") Not used on 3800.
56	88182	3		SCREW-Machine Hex Sems (M5 X 10) Not used on 3800.
57	A-04050	1		GUARD-Stand Not used on 3800. Includes Items 58 - 61.
58	88180	2	/P	SCREW-Socket Hd. (M5 X 25) Not used on 3800.
59	88313	4		WASHER-Lock (M6) Not used on 3800.
60	88405	2		WASHER-Flat (M6) Not used on 3800.
61	88181	2		SCREW-Socket Hd. (m6 X 12) Not used on 3800.

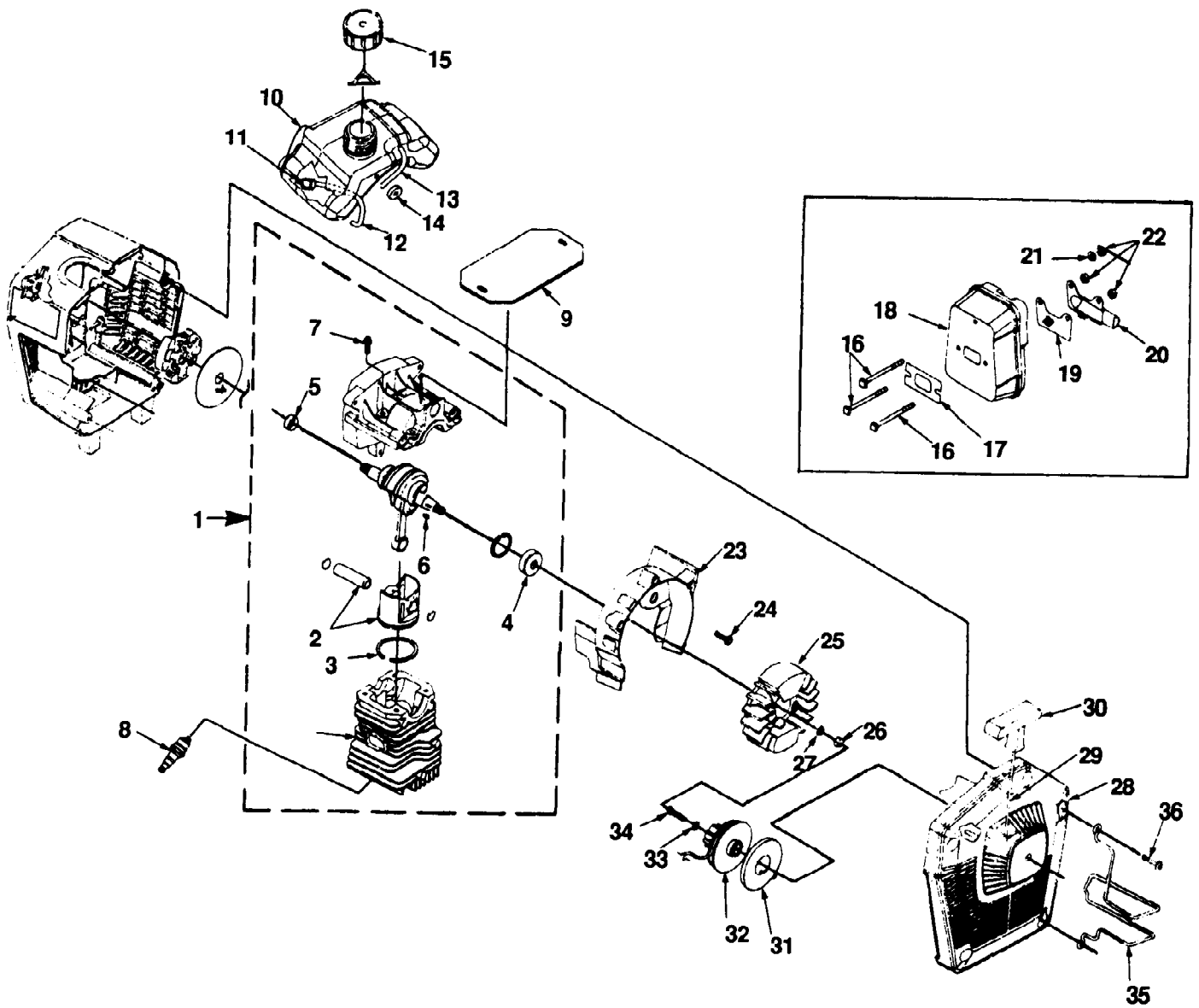


Ref #	Part Number	Qty	S/P/F	Description
1	A-02708	1	S	WIRE-Ignition
2	A-02707	1	S	WIRE-Ignition Ground
3	88052	2	/P	SCREW-Sems Hex Hd. (10-24 X 7/8")
4	02095S	1	S	MODULE-ignition (Phelon)
5	A-04495	1	S	DRUM-Clutch (PBC-3800) Includes item 6.
6		1		RING-Snap
7	03948	1	/P	RING-Snap (PBC-3800)
8	04030	1		BEARING-Ball (PBC-3800)
9	A-04048	1	S	CASE-Clutch (PBC-3800) Includes items 10-12.
10		1		SCREW-Socket Hd. (M5 X 25)
11		1		WASHER-Plain
12		1		WASHER-Lock (M6)
13	84008	4	S/P	WASHER-Flat (#12)
14	82573	4		SCREW-Socket Hd. (12-24 X 1 1/2")
15	A-04046	1	S	DRUM-Clutch (PBC-4000) Includes item 16.
16		1		RING-Snap
17	03948	1	/P	RING-Snap (PBC-4000)
18	03949	1		BEARING-Ball (PBC-4000)
19	A-03952	1		COVER-Clutch (PBC-4000) Includes item 20.
20		1		SCREW-Machine Hd. (M5 X 22)
21	A-03953	1		INSERT RING ASSEMBLY (PBC-4000) Includes items 22-24.
22		1		SCREW-Socket Hd. (M5 X 25)
23		1		WASHER-Lock (M6)
24		1		WASHER-Flat (M6)
25	03954	1		CLUTCH CASE (PBC-4000)
26	020521	1		SHIELD-Muffler (Flocked)
27	03419	1		PLUG-Crankcase
28	A-02070	1		CLUTCH
29	A-04045	1		SHROUD Includes item 30.
30	64862	1	/P	GROMMET
31	82572	3	/P	SCREW-Socket Hd. (12-24 X 3/4")
32	84008	3	S/P	WASHER-Flat (#12)
33	02657	1		DECAL-Conformity (Int'l Only)

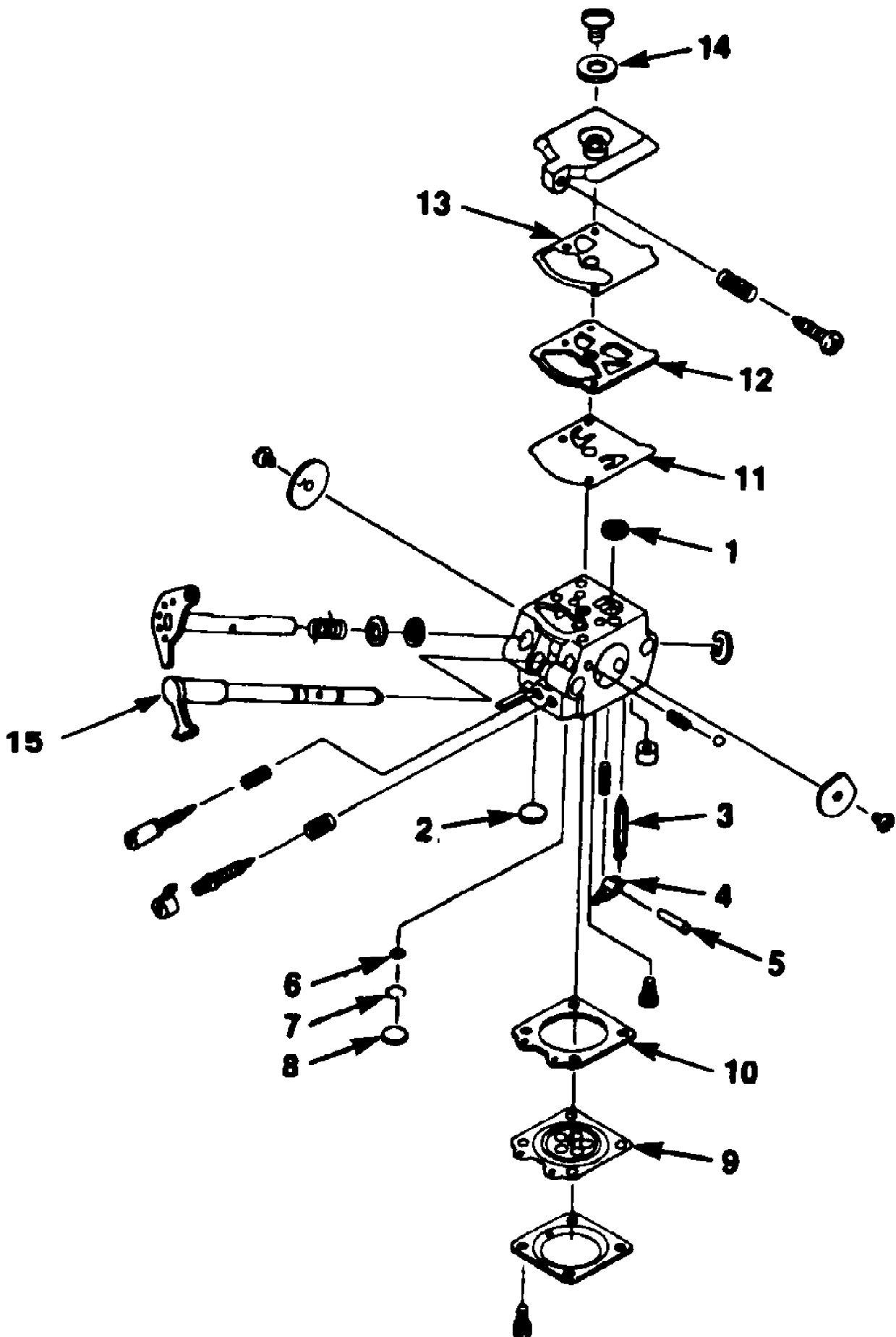


Ref #	Part Number	Qty	S/P/F	Description
1	88079	4		SCREW-Sems Hex Hd. (1/4-20 X 7/8")
2	02065	1		COVER-Air Filter
3	02940	1		FILTER-Felt Air
4	02939	1		FILTER-Foam Air
5	01183	1	/P	BULB-Primer
6	A-03313	1	S	AIR FILTER BOX
7	03492	1		CAP-Limit (PBC-4000)
	03493	1		CAP-Limit (PBC-3800)
8	0143920	1	/P	TUBING-Rubber
9	65016	1	/P	GASKET-Carburetor
10	02074	1		SPACER-Carburetor
11	02075	1		SCREW-Carburetor Spacer (8-32 X 2")
12	01029	1	S	GASKET-Carburetor Spacer
13	88045	2		SCREW-Sems Hex Hd. (8-32 X 1 1/4")
14	A-03894	1		CARBURETOR-Walbro (PBC-3800)
	A-03893	1		CARBURETOR-Zama (PBC-4000)
15	9477220	1	S	TUBING-Rubber (5")
16	02067	1	/P	FITTING-Fuel Inline
17	841031	2		WASHER-Flat
18	81009	2	/P	NUT-Hex Machine

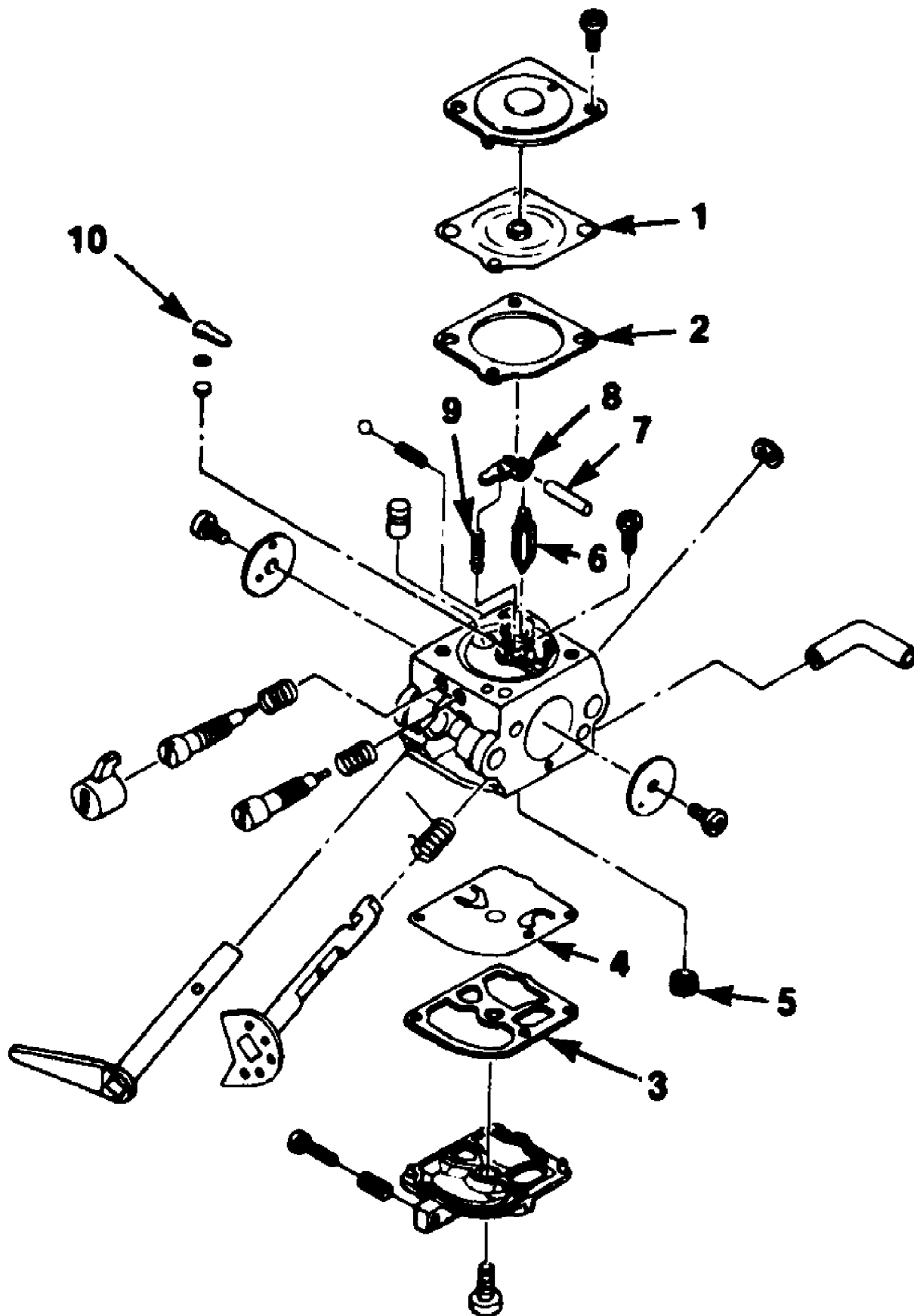




Ref #	Part Number	Qty	S/P/F	Description
1	A027001	1		SHORT BLOCK Includes Items 2 - 7.
2	A02579C	1	/P	PISTON & PIN Includes Item 3
3	01545A	1	S	RING-Piston
4	98197	1	S	SEAL-Shaft
5	93858	1	S	SEAL-Crankshaft
6	75078	1		KEY-Woodruff
7	80891	4	/P	SCREW- Hex Hd. (12-24 X 7/8")
8	93561S	1	S	SPARK PLUG (CJ6Y)
	98217S	1	/P	SPARK PLUG (RCJ-6Y) (Int'l Only)
9	03977	1		SPACER-Fuel Tank
10	A-03559	1	S	TANK-Fuel Includes Items 11 - 13.
11	49422	1	S	FILTER-Fuel
12	9477240	1	S	TUBING-Rubber (10")
13	0143937	1		TUBING-Rubber (9 1/4")
14	02080	1		SPACER-Fuel Tank
15	A00982A	1		FUEL CAP ASSEMBLY
16	02176	3		SCREW-Square Hex (10-23 X 2 1/2")
17	01543B	1		GASKET-Muffler
18	A-02083	1	S	MUFFLER
19	01532	1		SCREEN-Spark Arrestor
20	015711	1		COVER-Exhaust
21	84003	1	/P	WASHER-Flat (#10)
22	81206	3	S/P	NUT-Locking Hex (10-32)
23	02064	1		SCROLL-Fan
24	82538	2	/P	SCREW-Thread Form. (10-24 X 3/4")
25	A-02098	1	S	ROTOR ASSEMBLY
26	81257	1	/P	NUT-Hex Jam (3/8-24)
27	83102	1	/P	WASHER-Lock (3/8")
28	A-03782	1		STARTER-Complete Includes Items 29 - 34.
29	9789902	1	S/P	ROPE-Starter
30	02264	1	S	GRIP-Starter
31	A-02104	1	S	SPRING & CONTAINER (L.H.)
32	02103	1		PULLEY-Starter
33	94062	1	/P	WASHER (#10)
34	82409	1	/P	SCREW-Thread Form. (#10)
35	03654	1		GUARD-Wire
36	82537	5	/P	SCREW-Thread Form. (10-24 X 7/8")



Ref #	Part Number	Qty	S/P/F	Description
1	A-04042	1	S	Repair Kit Includes Ref. #1 - 14.
2	A-04042	1	S	Repair Kit Includes Ref. #1 - 14.
3	A-04042	1	S	Repair Kit Includes Ref. #1 - 14.
4	A-04042	1	S	Repair Kit Includes Ref. #1 - 14.
5	A-04042	1	S	Repair Kit Includes Ref. #1 - 14.
6	A-04042	1	S	Repair Kit Includes Ref. #1 - 14.
7	A-04042	1	S	Repair Kit Includes Ref. #1 - 14.
8	A-04042	1	S	Repair Kit Includes Ref. #1 - 14.
9	A-04042	1	S	Repair Kit Includes Ref. #1 - 14.
9	A-04041	1		Gasket/Diaphragm Kit Includes Ref. #9 - 14.
10	A-04042	1	S	Repair Kit Includes Ref. #1 - 14.
10	A-04041	1		Gasket/Diaphragm Kit Includes Ref. #9 - 14.
11	A-04042	1	S	Repair Kit Includes Ref. #1 - 14.
11	A-04041	1		Gasket/Diaphragm Kit Includes Ref. #9 - 14.
12	A-04042	1	S	Repair Kit Includes Ref. #1 - 14.
12	A-04041	1		Gasket/Diaphragm Kit Includes Ref. #9 - 14.
13	A-04042	1	S	Repair Kit Includes Ref. #1 - 14.
13	A-04041	1		Gasket/Diaphragm Kit Includes Ref. #9 - 14.
14	A-04042	1	S	Repair Kit Includes Ref. #1 - 14.
14	A-04041	1		Gasket/Diaphragm Kit Includes Ref. #9 - 14.
15	03188	1		CHOKE LEVER AND ROD



Ref #	Part Number	Qty	S/P/F	Description
1	03172	1		Repair Kit Includes Ref. #1 - 10.
1	A-03904	1	S	Gasket/Diaphragm Kit Includes Ref. #1 - 4.
2	03172	1		Repair Kit Includes Ref. #1 - 10.
2	A-03904	1	S	Gasket/Diaphragm Kit Includes Ref. #1 - 4.
3	03172	1		Repair Kit Includes Ref. #1 - 10.
3	A-03904	1	S	Gasket/Diaphragm Kit Includes Ref. #1 - 4.
4	03172	1		Repair Kit Includes Ref. #1 - 10.
4	A-03904	1	S	Gasket/Diaphragm Kit Includes Ref. #1 - 4.
5	03172	1		Repair Kit Includes Ref. #1 - 10.
6	03172	1		Repair Kit Includes Ref. #1 - 10.
7	03172	1		Repair Kit Includes Ref. #1 - 10.
8	03172	1		Repair Kit Includes Ref. #1 - 10.
9	03172	1		Repair Kit Includes Ref. #1 - 10.
10	03172	1		Repair Kit Includes Ref. #1 - 10.