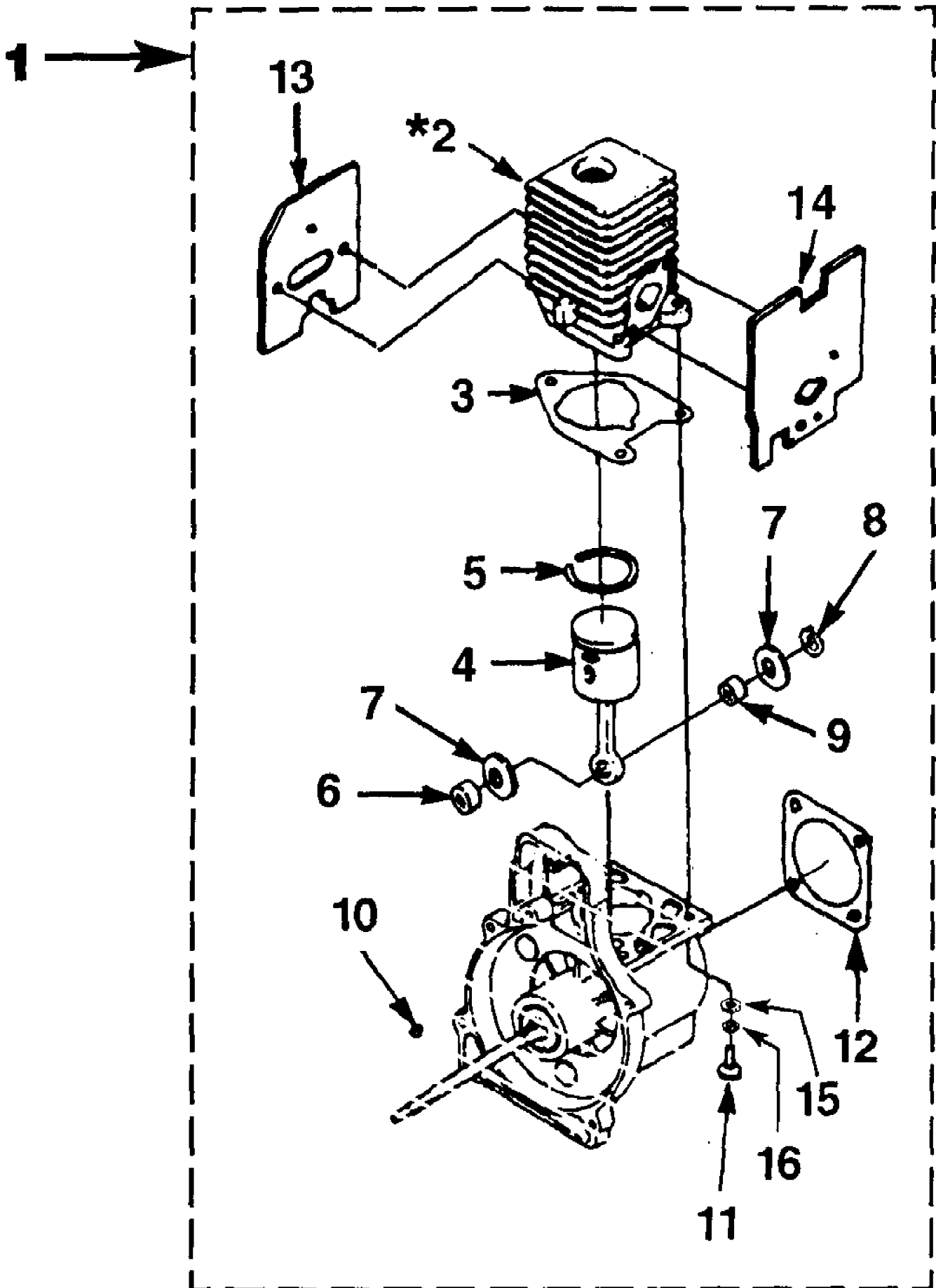
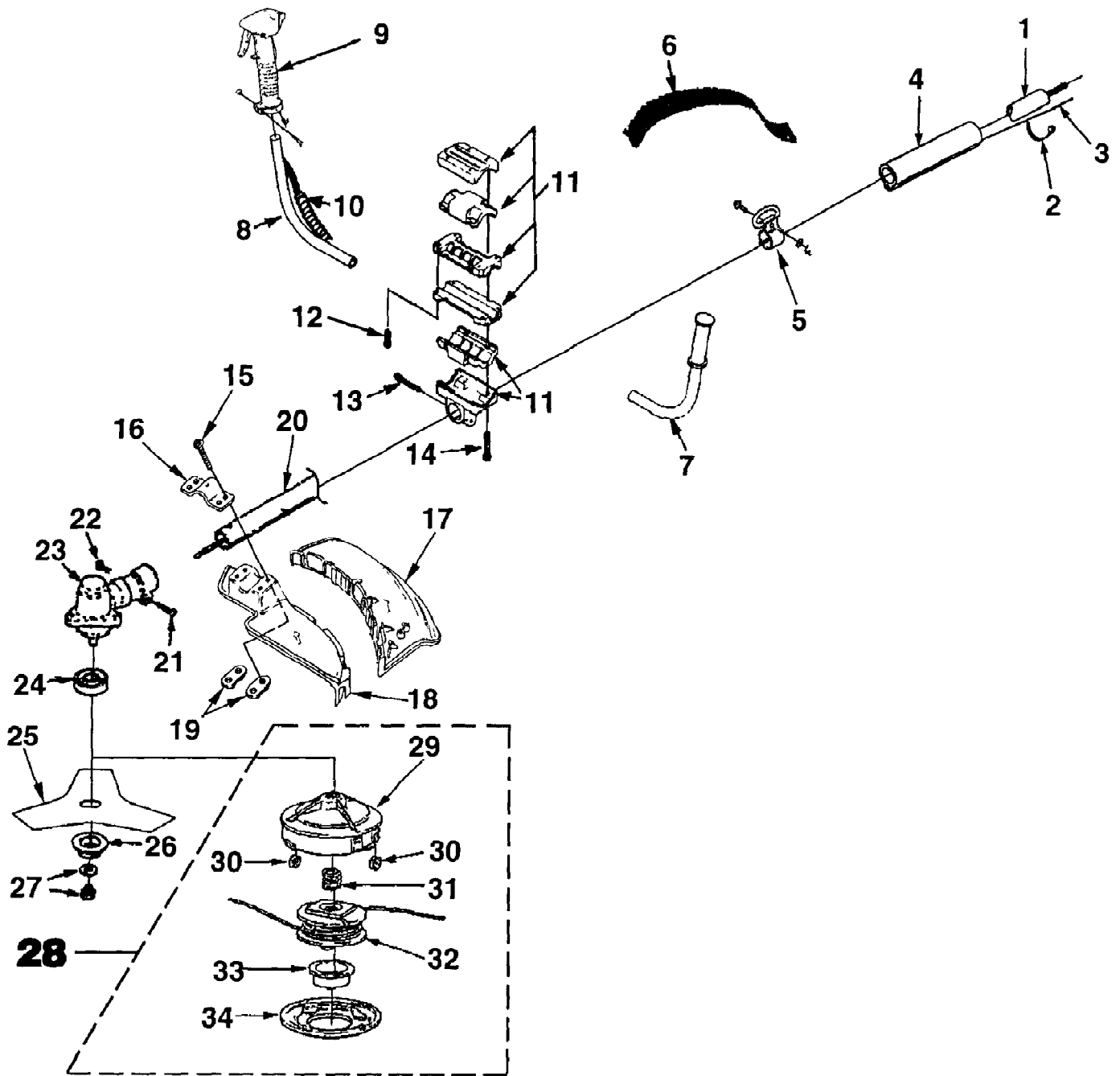


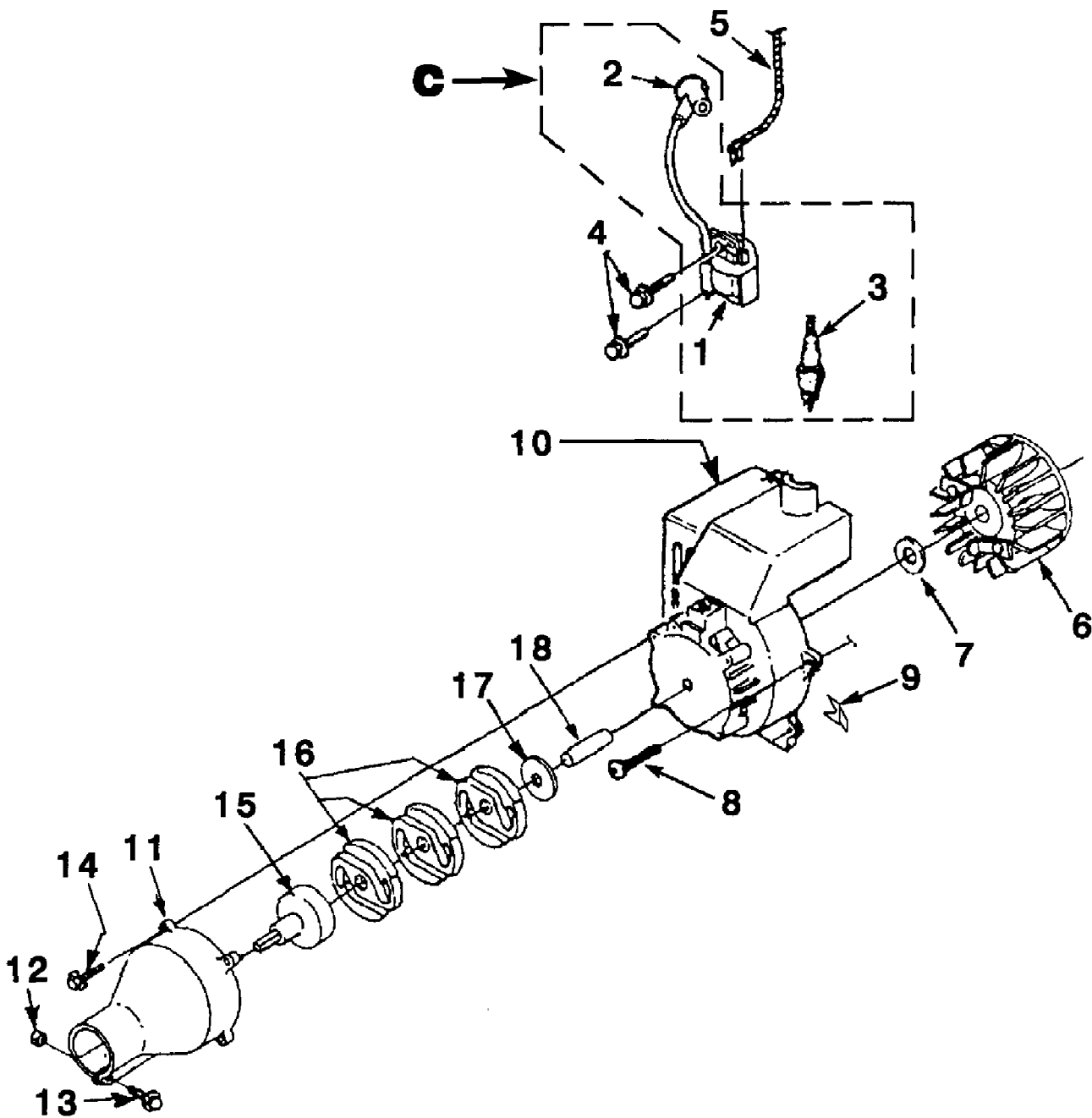
Ref #	Part Number	Qty	S/P/F	Description
1	A04658	1	S	FUEL TANK
2	0143917	1	S/P	TUBING-Rubber (4 1/4")
3	9477230	1	S	TUBING-Rubber (7 1/2")
4	98268	1	S/P	CLAMP-Wire
5	49422	1	S	FILTER-Fuel
6	98792	3	/P	BUMPER-Rubber
7	A00982B	1	S	CAP-Fuel Tank
8	88060	2	S/P	SCREW-Sems Hex Hd. (10-24 x 2 1/2") Torque Specs. 40-50 In/Lbs, 4.5-5.6 Nm
9	08840	1	/P	GASKET-Heat Dam (See "Engine Internal" illustration and parts list.)
10	880821	2		SCREW-Sems, Torx (10-24 x 1.12") Torque Specs. 40-50 In/Lbs, 4.5-5.6 Nm
11	00864B	1	S	HEAT DAM
12	81208	2	/P	NUT-Hex (10-24)
13	98766A	1	S/P	GASKET-Carburetor
14	A02606	1	S	CARBURETOR (Zama)
	A02607	1		CARBURETOR (Walbro)
15	A04707A	1	/P	AIR FILTER (See "Muffler - Air Cleaner" illustration and parts list.)



Ref #	Part Number	Qty	S/P/F	Description
1	A06262C	1	S	SHORT BLOCK
2	A07146B	1	S	CYLINDER & GASKET (See "Muffler - Air Cleaner" illustration and parts list.)
3	04388B	1	S/P	GASKET-Cylinder
4	A06291B	1	S	PISTON & ROD
5	03796	1		RING-Piston
6	04860	1		SPACER-Bearing
7	00118	2		WASHER-Thrust
8	03796	1		RING-Retaining
9	02461	1		BEARING-Needle
10	69250	1	/P	KEY-Woodruff
11	825801	3	/P	SCREW-Torx Pan Hd. (12-24 x 3/4") Torque Specs. 55-60 In/Lbs, 6.2-6.8 Nm
12	98767A	1	/P	GASKET-Crankcase
13	08846	1	/P	GASKET-Muffler
14	08840	1	/P	GASKET-Heat Dam
15	84115	3	S/P	WASHER, Flat
16	83056	3		WASHER, Lock



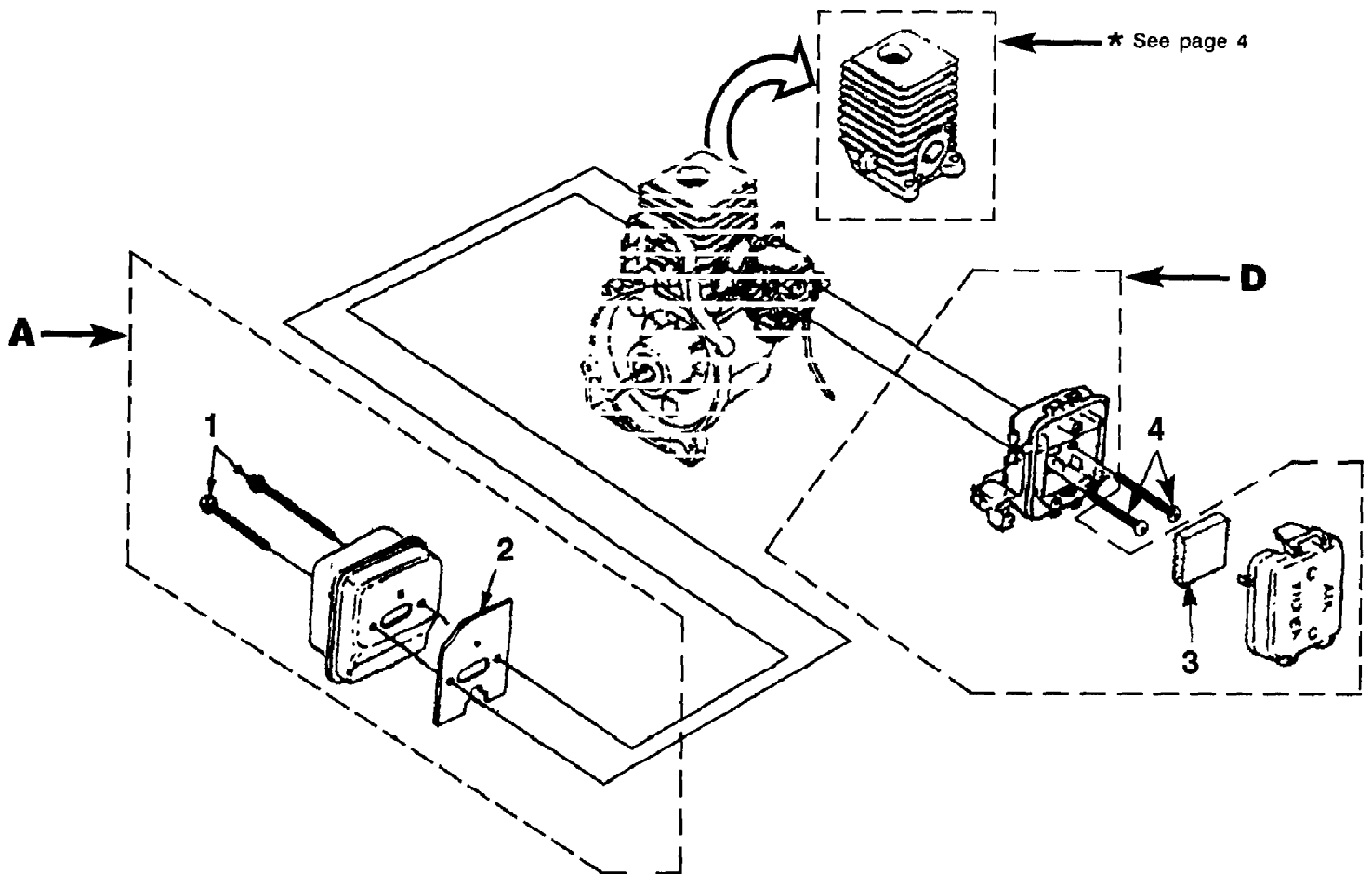
Ref #	Part Number	Qty	S/P/F	Description
1	04641	1		DRIVE SHAFT
2	46840	3	/P	CABLE-Tie
3	0254203	1	/P	THROTTLE CABLE
4	03234A	1	/P	HIP PAD
5	07255	1	/P	BRACKET-Hanger
6	028361	1	/P	SHOULDER HARNESS (Full)
7	A03268A	1	S	HANDLE BAR & GRIP (Left)
8	A08852	1		HANDLE BAR & CONTROL GRIP
9	A08850	1	S	BIKE CONTROL GRIP
10	00684	1		SLEEVING
11	A07304	1	S	BRACKET-Handle Bar
12	00605	1	/P	SCREW-Soc Hd
13	03942	4	/P	SCREW-Hex Hd
14	03944	4	/P	SCREW-Hex Hd
15	82555	4		SCREW-Mach Tr Hd (10-24 x .750)
16	08619	1	S	CLAMP
17	A08152	1	S	STRING SHIELD
18	08573	1	/P	BLADE GUARD
19	A08139	2	/P	MOUNTING PLATE
20	A03800A	1	S	DRIVE SHAFT HOUSING
21	82586	1	/P	SCREW-Cap Socket Hd (1/4-20 x 7/8") Torque Specs. 55-65 In/Lbs, 6.2-7.3 Nm
22	88049	1	/P	SCREW-Sems Hex Hd Torque Specs. 35-45 In/Lbs, 4.0-5.1 Nm
23	A04151	1	S	GEAR HEAD
24	041681A	1	S	WASHER-Flanged
25	06297	1	S/P	BLADE-Tri-Arc
26	04409	1	/P	WASHER-Cupped
27	04277	1	/P	NUT-Lock
28	A07247	1		STRING HEAD
29	07248	1		HOUSING, String
30	07249	1	S	EYELET
31	02351	1		SPRING
32	07251	1		SPOOL W/String
33	07252	1	S	BUTTON
34	07253	1		COVER



PBC3600-B String Trimmer UT-15091-F
Ignition - Rotor - Clutch

Page 8 of 12

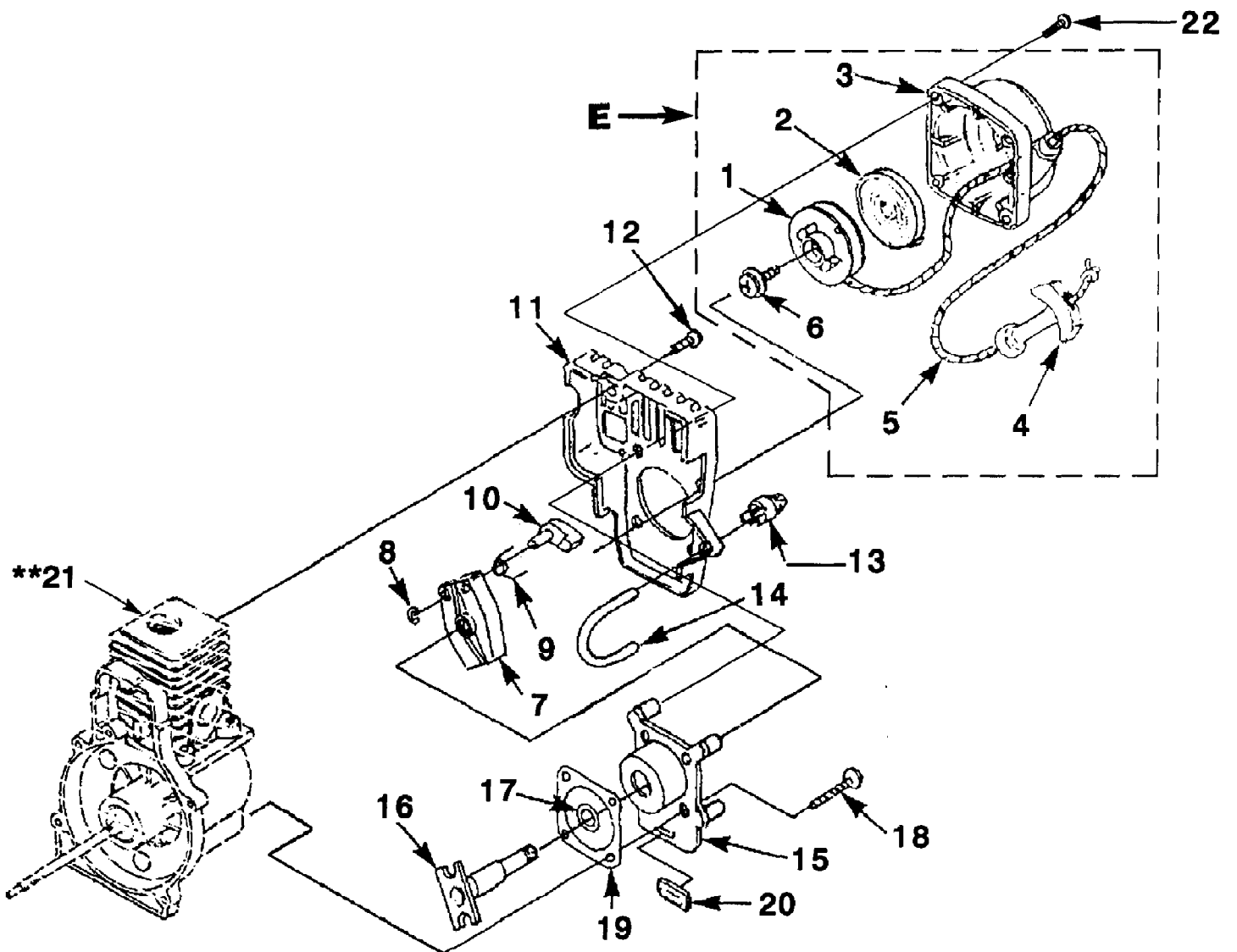
Ref #	Part Number	Qty	S/P/F	Description
1	94711CS	1	/P	MODULE-Ignition
2	A33055	1	/P	TERMINAL & COVER (Also Includes Item #18)
3	79252	1	S	SPARK PLUG (RDJ-7Y) Torque Specs. 120-180 In/Lbs, 13.6-20.3 Nm.
4	82540	2	/P	SCREW-Thread Form. (8-32 x 1") Torque Specs. 30-40 In/Lbs, 3.4-4.5 Nm.
5	A00681	1		LEAD-Electrical
6	A04158S	1	S	ROTOR & STARTER PAWL
7	95479A	1	/P	WASHER-Flat
8	82538	4	/P	SCREW-Thread Form. (10-24 x 3/4") Torque Specs. 40-50 In/Lbs, 4.5-5.6 Nm.
9	02851	1	/P	TAB-Male
10	A08295	1	/P	HOUSING-Engine w/Decals
11	A02396A	1	/P	TUBE ADAPTOR KIT
12	81208	1	/P	NUT-Hex (10-24)
13	96624	1	/P	SCREW-Sems Hex Hd. (10-24 x 1 1/4")
14	88052	4	/P	SCREW-Sems Hex Hd. (10-24 x 7/8") Torque Specs. 40-50 In/Lbs, 4.5-5.6 Nm.
15	A04655	1		DRUM & CONNECTOR
16	00242	3	/P	CLUTCH
17	03372	1		WASHER-Clutch [98929 A?]
18	035661	1	S	SPACER



PBC3600-B String Trimmer UT-15091-F
Muffler - Air Cleaner

Page 10 of 12

Ref #	Part Number	Qty	S/P/F	Description
A	A08858	1		MUFFLER COMPLETE (PBC3600B)
1	88060	2	S/P	SCREW-Sems Hex (10-24 x 2 1/2") Torque Specs. 40-50 In/Lbs, 4.5-5.6 Nm
2	08846	1	/P	GASKET-Muffler
D	A04707A	1	/P	AIR FILTER KIT
3	D98760B	1	S	FILTER-AIR
4	88060	2	S/P	SCREW-Sems Hex Hd (10-24 x 2 1/2") Torque Specs. 40-50 In/Lbs, 4.5-5.6 Nm



Ref #	Part Number	Qty	S/P/F	Description
E	A04069	1		STARTER-Complete
1	0406905	1	S	PULLEY-Starter
2	0406906	1	S	SPRING-Recoil
3	0406901	1		HOUSING-Starter
4	0406902	1	/P	GRIP-Starter
5	0406903	1	/P	ROPE-Starter
6	0406904	1	/P	SCREW-Set
7	A04018	1	S	CUP-Starter
8	0401804	1	S	RETAINING RING
9	0401803	1	S	SPRING-Starter
10	0401802	1	S	PAWL-Starter
11	04023	1	S	COWLING-Engine
12	82541	1	/P	SCREW-Thread Forming (#10 x 1/2") Torque Specs. 30-40 In/Lbs, 3.4-4.5 Nm.
13	01183	1	/P	BULB-Air Purge
14	0143932	1	S/P	RUBBER TUBING (8")
15	A040172	1	S	CRANKCASE COVER
16	04016B	1	/P	SHAFT-Starter
17	04589	1	/P	SPACER
18	825551	4	S	SCREW-Thread Form. (10-24 x 3/4") Torque Specs. 40-50 In/Lbs, 4.5-5.6 Nm.
19	98767A	1	/P	GASKET-Crankcase
20	98792	1	/P	BUMPER-Rubber
21		1		SHORT BLOCK (See "Engine Internal" illustration and parts list.)
22	82538	4	/P	SCREW-Taptite, T-25 Torx (10-24 x 3/4") Torque Specs. 40-50 In/Lbs, 4.5-5.6 Nm.