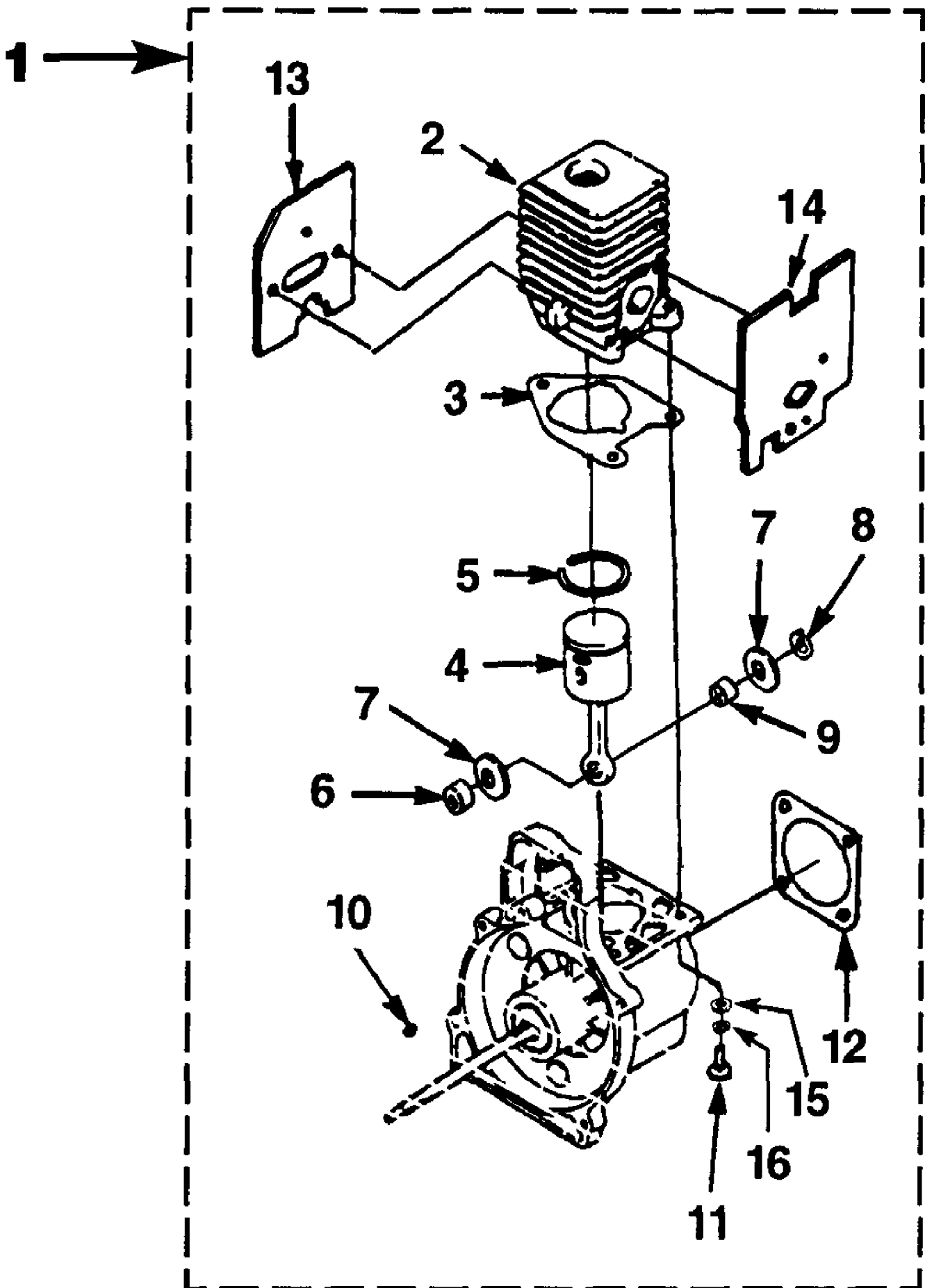
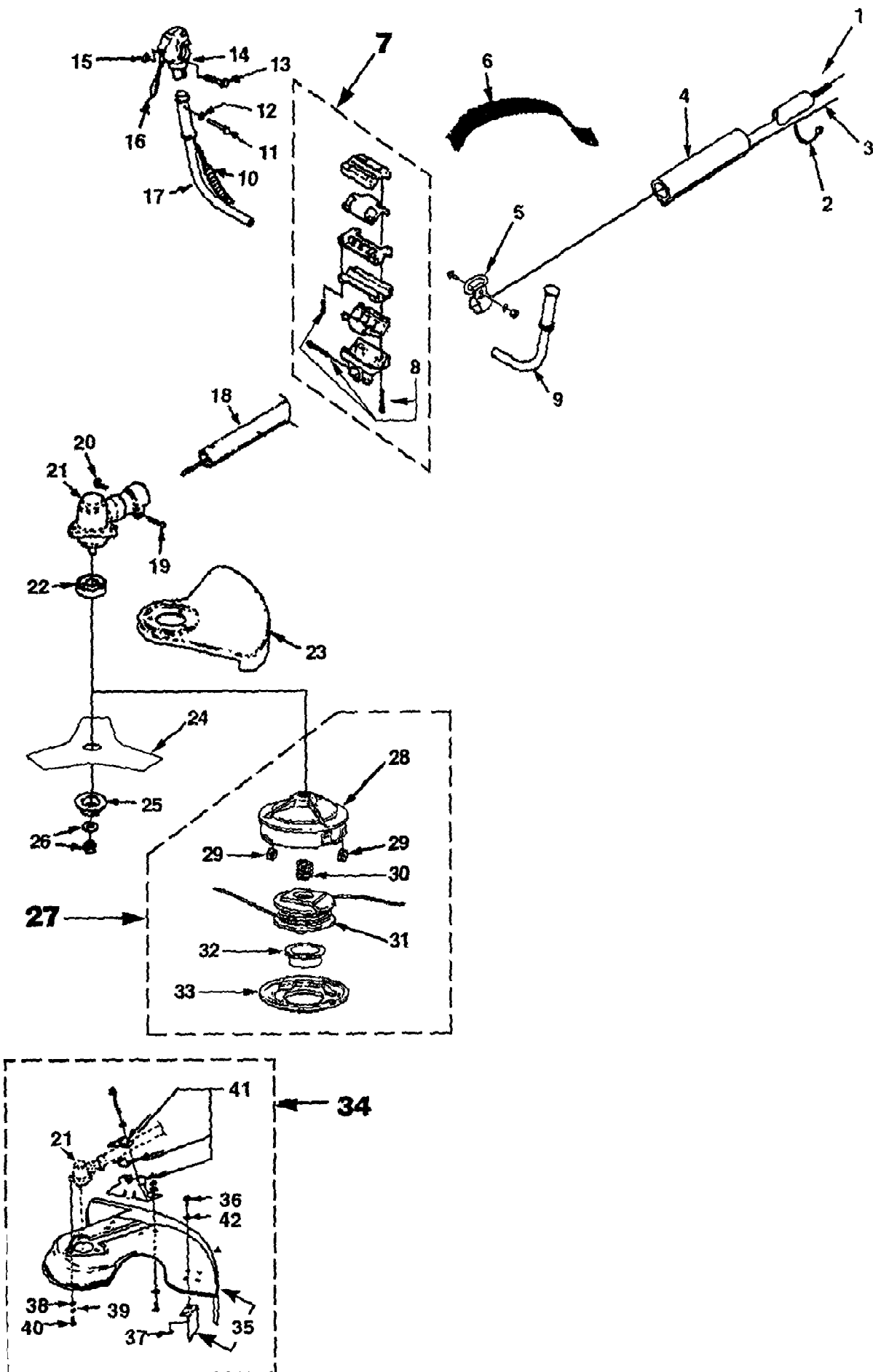


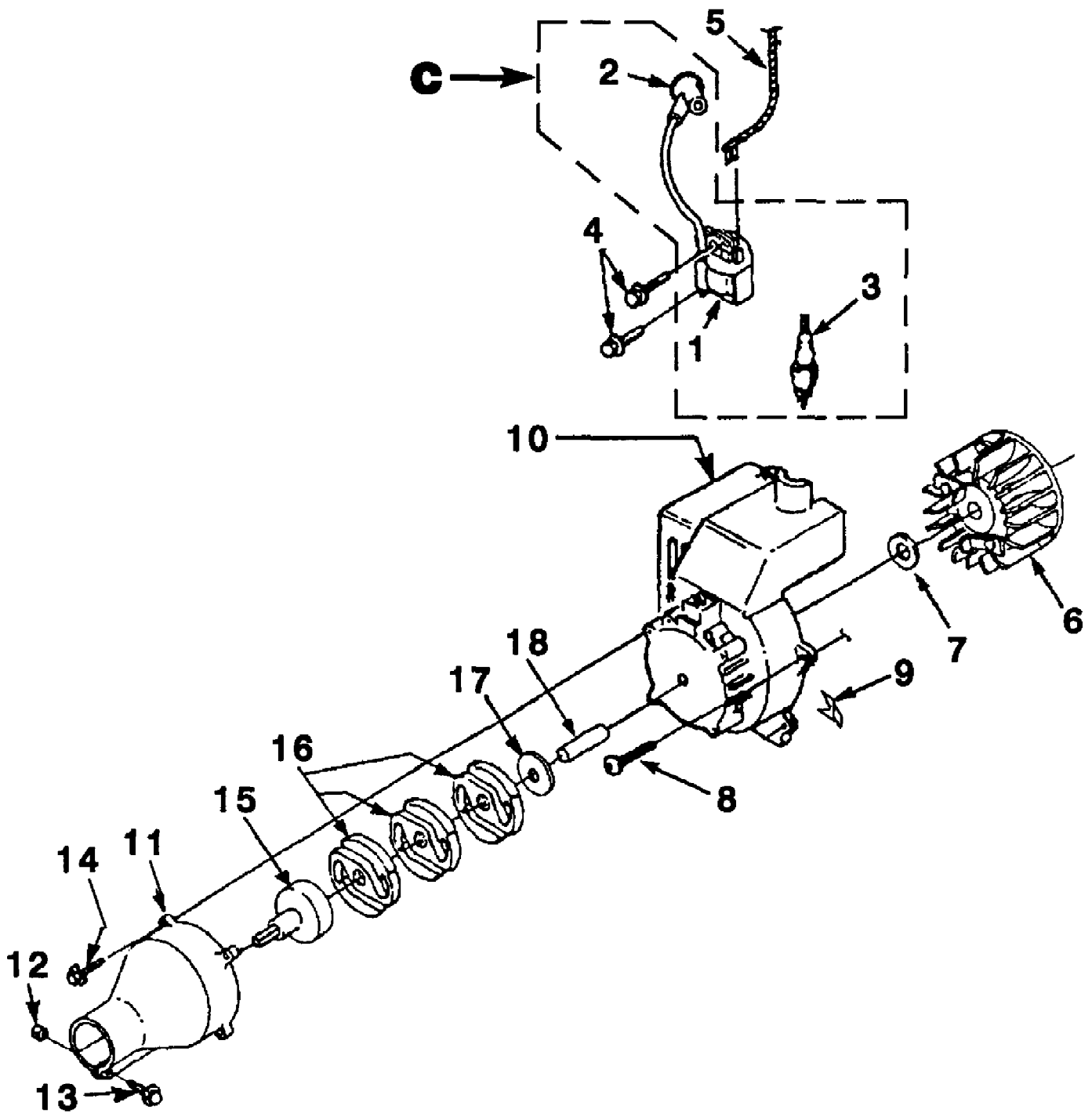
Ref #	Part Number	Qty	S/P/F	Description
F	A04658	1	S	FUEL TANK
1	0143917	1	S/P	TUBING-Rubber (4 1/4")
2	9477230	1	S	TUBING-Rubber (7 1/2")
3	98268	1	S/P	CLAMP-Wire
4	49422	1	S	FILTER-Fuel
5	98792	3	/P	BUMPER-Rubber
6	A00982B	1	S	CAP-Fuel Tank
7	88060	2	S/P	SCREW-Sems Hex Hd. (10-24 X 2 1/2")
8	08840	1	/P	GASKET-Heat Dam See "Engine Internal" illustration and parts list. Also included in Short Block and Cylinder Kit
9	880821	2		SCREW-Sems, Torx (10-24 X 1.12") Torque Specs: 40-50 In/Lbs; 4.5-5.6 Nm
10	00864B	1	S	HEAT DAM
11	81208	2	/P	NUT-Hex (10-24) Torque Specs: 40-50 In/Lbs; 4.5-5.6 Nm
12	98766A	1	S/P	GASKET-Carburetor Also included in Short Block and Cylinder Kit
B	07244	1	S	CARBURETOR (Zama)
	A02607	1		CARBURETOR (Walbro)
?D	A04707A	1	/P	AIR FILTER See "Muffler - Air Cleaner" illustration and parts list
C		1		UNKNOWN



Ref #	Part Number	Qty	S/P/F	Description
1	UP00879	1	/P	SHORT BLOCK
2	UP07146	1	S/P	CYLINDER & GASKET See "Muffler - Air Cleaner" illustration and parts list.
3	04388B	1	S/P	GASKET-Cylinder
4	A06291B	1	S	PISTON & ROD
5	04933	1	/P	RING-Piston
6	04860	1		SPACER-Bearing
7	00118	2		WASHER-Thrust
8	03796	1		RING-Retaining
9	02461	1		BEARING-Needle
10	69250	1	/P	KEY-Woodruff
11	825801	3	/P	SCREW-Torx Pan Hd. (12-24 X 3/4") Torque Specs: 55-60 In/Lbs; 6.2-6.8 Nm
12	98767A	1	/P	GASKET-Crankcase Also included in Cylinder Kit
13	08846	1	/P	GASKET-Muffler Also included in Cylinder Kit
14	08840	1	/P	GASKET-Heat Dam Also included in Cylinder Kit
15	84115	3	S/P	WASHER, Flat
16	83056	3		WASHER, Lock



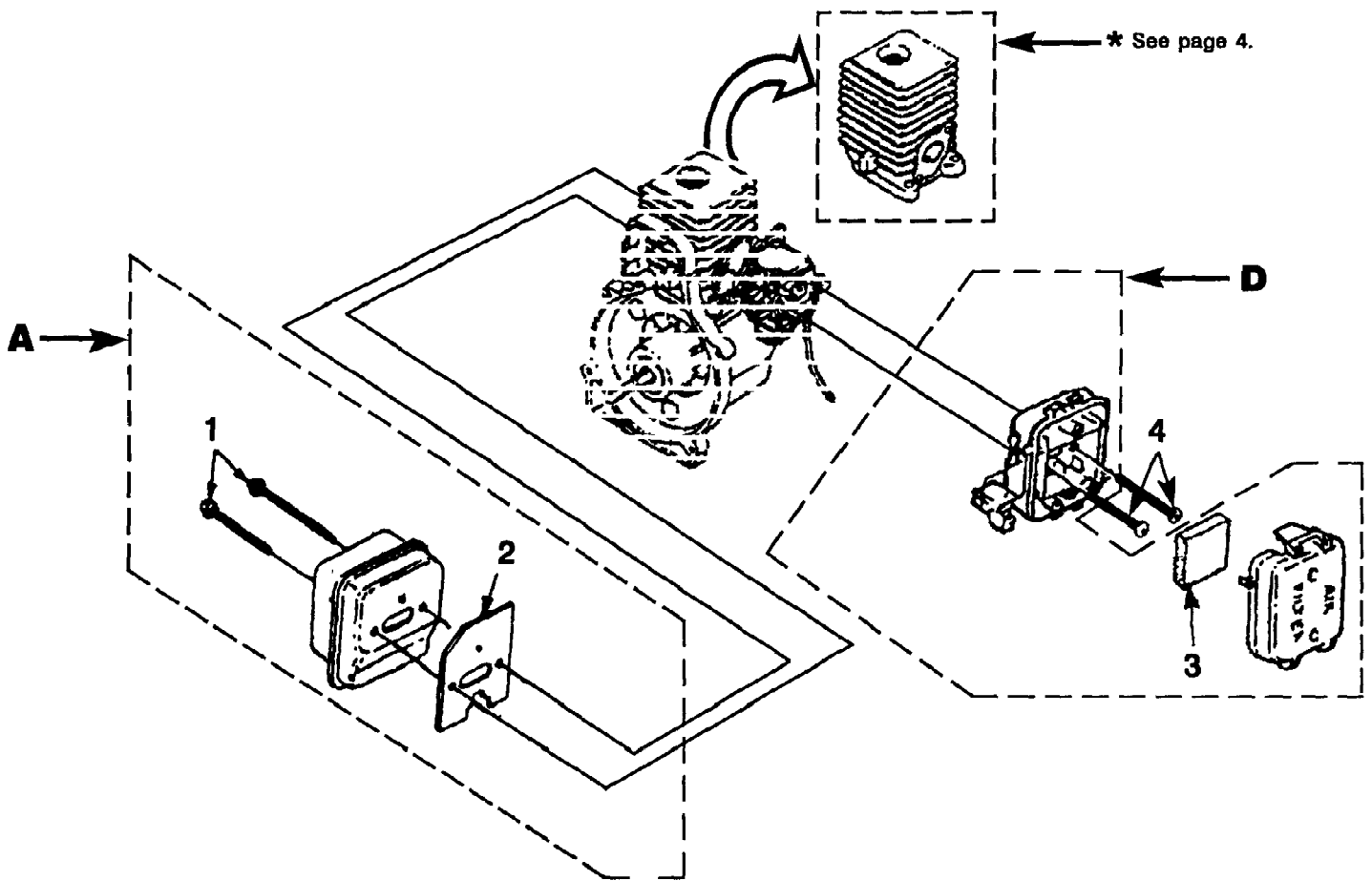
Ref #	Part Number	Qty	S/P/F	Description
1	04641	1		DRIVE SHAFT
2	PS46840	3		CABLE-Tie
3	0254203	1	/P	THROTTLE CABLE
4	03234A	1	/P	HIP PAD
5	07255	1	/P	BRACKET-Hanger
6	028361	1	/P	SHOULDER HARNESS (Full)
7	A07304	1	S	HANDLE BAR BRACKET
8	88187	6		SCREW
9	A03268A	1	S	HANDLE BAR & GRIP (Left)
10	00684	1		SLEEVE
11	62528	1		SCREW-Thread Form (#6-19 X 3/4")
12	83086	1		WASHER-Lock (#8)
13	88183	1		SCREW-(m4 X 25)
14	A03275	1		SWITCH & LEAD
15	83417	1		NUT-Hex (M4)
16	A03276	1		THROTTLE
17	A03277A	1		HANDLE BAR & GRIP (Right)
18	A03800A	1	S	DRIVE SHAFT HOUSING
19	82586	1	/P	SCREW-Cap Socket Hd. (1/4-20 X 7/8") Torque Specs: 55-65 In/Lbs; 6.2-7.3 Nm
20	88049	1	/P	SCREW-Sems Hex Hd. Torque Specs: 35-45 In/Lbs; 4.0-5.1 Nm
21	A04151	1	S	GEAR HEAD
22	041681A	1	S	WASHER-Flanged
23	988472	1	/P	GUARD-Blade
24	06297	1	S/P	BLADE-Tri-Arc
25	04409	1	/P	WASHER-Cupped
26	04277	1	/P	NUT-Lock
27	A07247	1		STRING HEAD
28	07248	1		HOUSING, String
29	07249	1	S	EYELET
30	02351	1		SPRING
31	07253	1		SPOOL W/String
32	07252	1	S	BUTTON
33	07253	1		COVER
34	A03590B	1	/P	GRASS DEFLECTOR KIT
35	A0436203	1	/P	DEFLECTOR & BLADE
36	82584	2	S	SCREW-Mach. Hex Hd. (10-24 X 7/8")
37	81261	2	/P	NUT-Hex Locking (10-24)
38	04516	2		WASHER-Flat (#10)
39	83046	3		WASHER-Lock (#10)
40	82298	3	S	SCREW-Hex Hd. (10-24 X 5/8")
41	A03404	1	/P	DEFLECTOR BRACKET KIT
42		1		UNKNOWN



PBC3600-B String Trimmer UT-15091-C
Ignition - Rotor - Clutch For Model (PBC3600-B)

Page 8 of 12

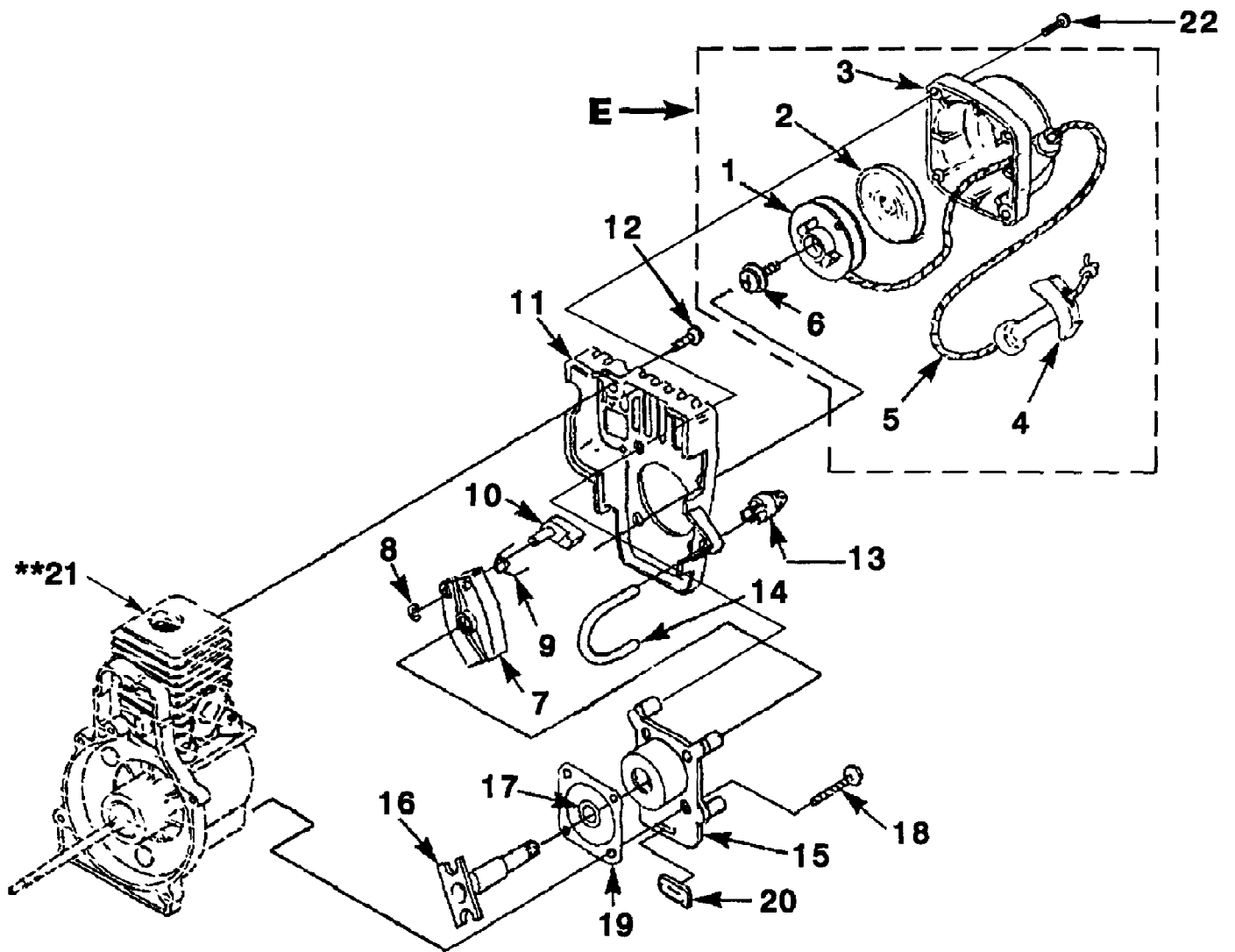
Ref #	Part Number	Qty	S/P/F	Description
1	C94711CS	1		MODULE-Ignition For model (PBC3600-B)
2	A33055	1	/P	TERMINAL & COVER
3	79252	1	S	SPARK PLUG (RDJ-7Y) For model (PBC3600-B). Torque Specs: 120-180 In/Lbs; 13.6-20.3 Nm
4	82540	2	/P	SCREW-Thread Form. (8-32 X 1") Torque Specs: 30-40 In/Lbs; 3.4-4.5 Nm
5	A00681	1		LEAD-Electrical
6	A04158S	1	S	ROTOR & STARTER PAWL
7	95479A	1	/P	WASHER-Flat
8	82538	4	/P	SCREW-Thread Form. (10-24 X 3/4") Torque Specs: 40-50 In/Lbs; 4.5-5.6 Nm
9	02851	1	/P	TAB-Male
10	A08295	1	/P	HOUSING-Engine w/Decals
11	A02396A	1	/P	TUBE ADAPTOR KIT
12	81208	1	/P	NUT-Hex (10-24)
13	96624	1	/P	SCREW-Sems Hex Hd. (10-24 X 1 1/4")
14	88052	4	/P	SCREW-Sems Hex Hd. (10-24 X 7/8") Torque Specs: 40-50 In/Lbs; 4.5-5.6 Nm
15	A04655	1		DRUM & CONNECTOR Torque Specs: 40-50 In/Lbs; 4.5-5.6 Nm
16	00242	3	/P	CLUTCH Torque Specs: 90-110 In/Lbs; 10.1-12.4 Nm
17	98929A	1	S/P	WASHER-Clutch
18	035661	1	S	SPACER



PBC3600-B String Trimmer UT-15091-C
Muffler - Air Cleaner

Page 10 of 12

Ref #	Part Number	Qty	S/P/F	Description
A	A08857	1	S	MUFFLER COMPLETE (PLT3400 & PBC3600)
	A08858	1		MUFFLER COMPLETE (PBC3600B)
1	88060	2	S/P	SCREW-Sems Hex (10-24 X 2 1/2") Torque Specs: 40-50 In/Lbs; 4.5-5.6 Nm
2	08846	1	/P	GASKET-Muffler Also included in Short Block and Cylinder Kit
D	A04707A	1	/P	AIR FILTER KIT
3	D96760B	1		FILTER-AIR
4	88060	2	S/P	SCREW-Sems Hsx Hd. (10-24 X 2 1/2") Torque Specs: 40-50 In/Lbs; 4.5-5.6 Nm



Ref #	Part Number	Qty	S/P/F	Description
E	A04069	1		STARTER-Complete
1	0406905	1	S	PULLEY-Starter
2	0406906	1	S	SPRING-Recoil
3	0406901	1		HOUSING-Starter
4	0406902	1	/P	GRIP-Starter
5	0406903	1	/P	ROPE-Starter
6	0406904	1	/P	SCREW-Set
7	A04018	1	S	CUP-Starter
8	0401804	1	S	RETAINING RING
9	0401803	1	S	SPRING-Starter
10	0401802	1	S	PAWL-Starter
11	04023	1	S	COWLING-Engine
12	82541	1	/P	SCREW-Thread Forming (#10 X 1/2") Torque Specs: 30-40 In/Lbs; 3.4-4.5 Nm
13	01183	1	/P	BULB-Air Purge
14	0143932	1	S/P	RUBBER TUBING (8")
15	A040172	1	S	CRANKCASE COVER
16	04016B	1	/P	SHAFT-Starter
17	04589	1	/P	SPACER
18	825551	4	S	SCREW-Thread Form. (10-24 X 3/4") Torque Specs: 40-50 In/Lbs; 4.5-5.6 Nm
19	98767A	1	/P	GASKET-Crankcase
20	98792	1	/P	BUMPER-Rubber
21		1		SHORT BLOCK See "Engine Internal" illustration and parts list.
22	82538	4	/P	SCREW-Taptite, T-25 Torx (10-24 X 3/4") Torque Specs: 40-50 In/Lbs; 4.5-5.6 Nm