

HOMELITE 26cc MIGHTYLITE VERSATOOL STRING TRIMMER - MODEL NUMBERS UT21566, UT21967

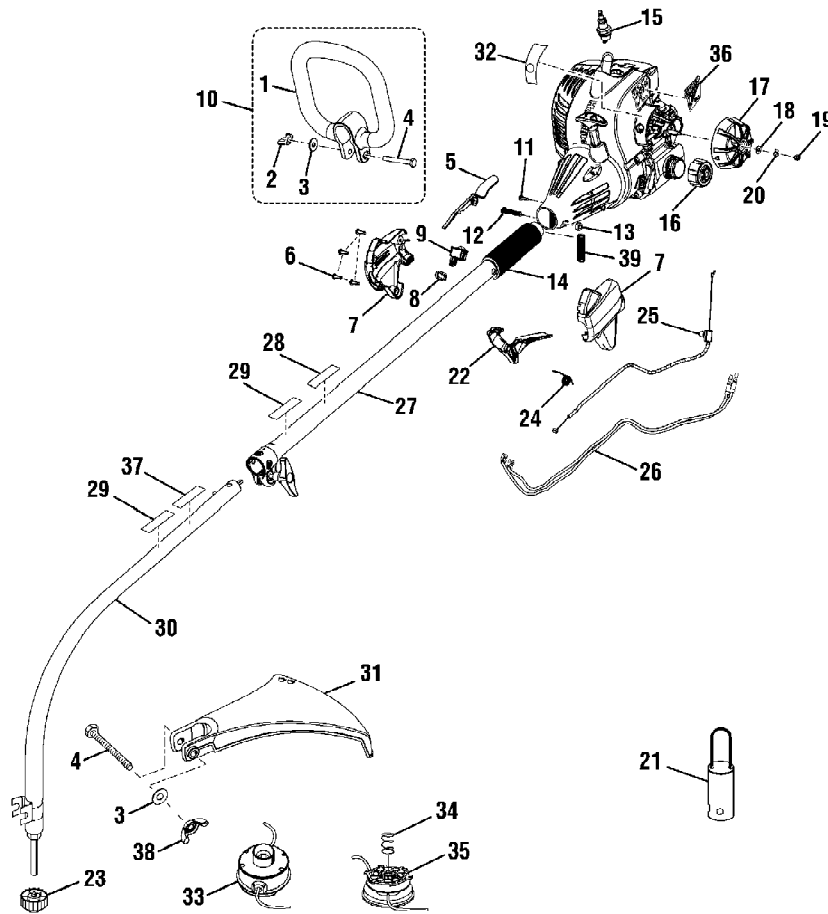
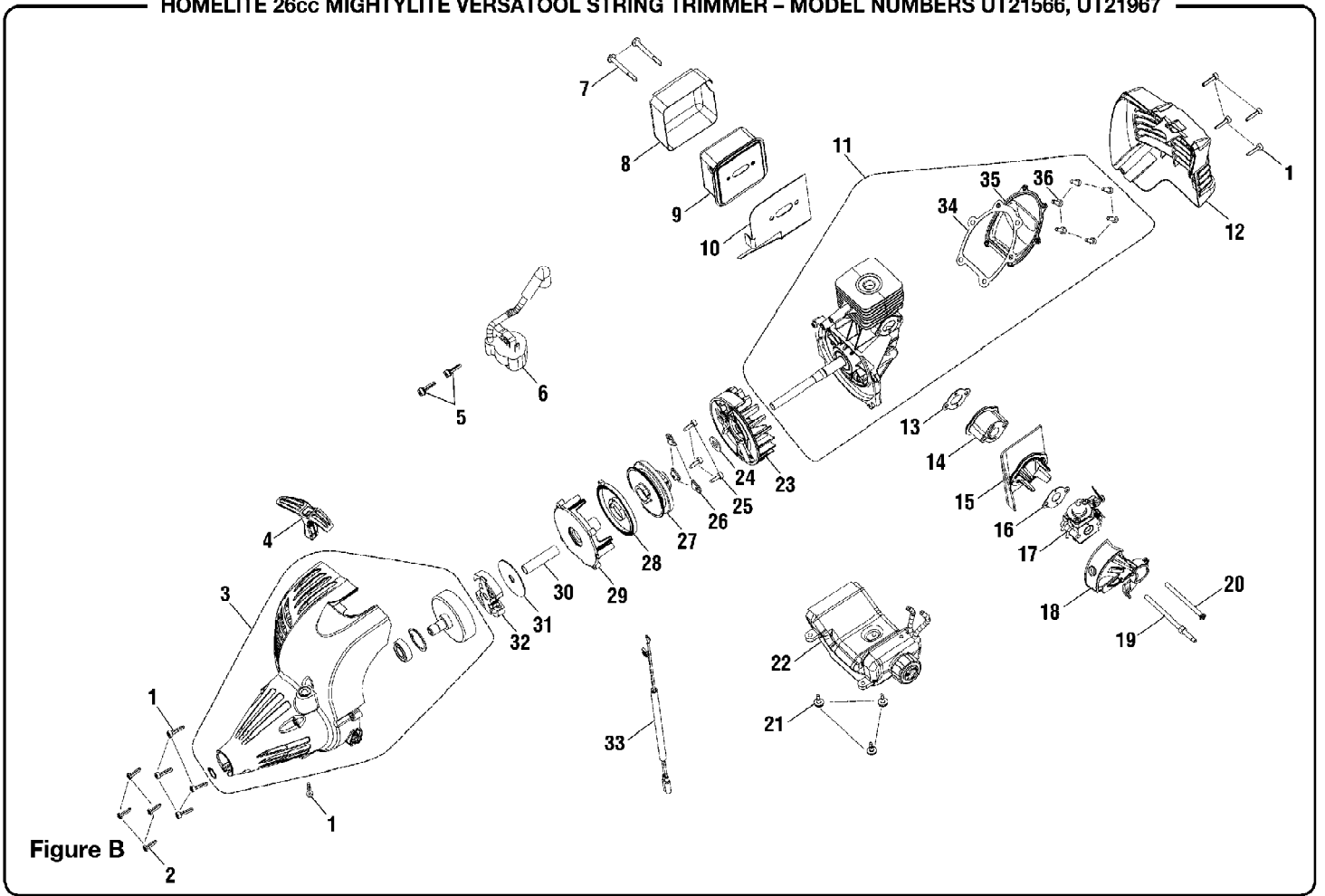


Figure A

Ref #	Part Number	Qty	S/P/F	Description
1	518674002	1		Handle
2	678246001	1	S	Wing Nut (1/4-20) Purchase locally
3	678008001	2		Washer
4	660643008	2		Bolt (1/4-20 x 40 mm) Purchase locally
5	518695001	1		Throttle Lock
6	660563002	4		Screw (M4 x 20 mm) Purchase locally
7	308888001	1		Housing Assembly
8	638431001	1		Shoulder Strap Hook
9	760700002	1	S	Switch
10	308741002	1		Front Handle Assembly
11	660634001	1	/P	Screw (8-16 x 5/16 in.) Purchase locally
12	660697002	1		Bolt (M6 x 20 mm) Purchase locally
13	678029002	1	S	Hex Nut (M6) Purchase locally
14	570450001	1		Rear Handle
15	870174001	1	/P	Spark Plug (Champion RCJ6Y); Purchase locally
16	308680001	1		Fuel Cap
17	518496001	1		Choke Dial Cover
18	678434001	1		Washer
19	678435001	1		Hex Nut (M4) Purchase locally
20	678434002	1		Wavy Washer
21	518019001	1	S	Hanger Cap
22	518696001	1		Throttle Trigger
23	308042002	1	/P	Spool Retainer
24	690694002	1	/P	Torsion Spring
25	308842001	1		Throttle Cable
26	290735002	2		Lead
27	308885001	1		Upper Boom Assembly Incl. Key Nos. 28-29
28	940734009	1		Starting Label
29	940230129	1	S	Warning Label
30	308886001	1		Lower Boom Assembly Inc. Key No. 29 and 37
31	T308744001	1	/P	Grass Deflector Inc. Key Nos. 3,4 and 38
32	940647008	1		Choke Label
33	120152001	1	S	Complete String Head (.080 in.) Includes Key Nos. 34-35
34	678022001	1	S	Compression Spring
35	308044007	1	S	Spool and String (.080 in.)
36	940755001	1		Logo Label
37	940627024	1	S	Expand-It Label
38	678034001	1		Wing Nut (1/4-20) Purchase locally
39	690140011	1	S	Compression Spring
	987000053	1		Operator's Manual (960089004)

HOMELITE 26cc MIGHTYLITE VERSATOOL STRING TRIMMER - MODEL NUMBERS UT21566, UT21967



Ref #	Part Number	Qty	S/P/F	Description
1	660466001	9		Screw (M4 x 18 mm) Purchase locally
2	660970001	4		Screw (M4 x 16 mm) Purchase locally
3	308671002	1		Front Housing Assembly
4	511731001	1	S	Pulley Handle
5	660968001	2		Screw (M4 x 19 mm) Purchase locally
6	850108002	1		Ignition Module
7	660638003	2	S	Screw (10-24 x 2-3/16 in.) Purchase locally
8	638442001	1		Heat Shield
9	308990001	1		Muffler Assembly
10	901452001	1		Muffler Gasket
11	308892001	1		Short Block Assembly Inc. Key Nos. 34-36
12	518504001	1		Rear Housing
13	901551001	1		Intake Gasket Purchase locally
14	518497001	1		Heat Dam
15	518685001	1		Heat Dam Deflector
16	901552001	1		Carburetor Gasket
17	308054001	1		Carburetor
18	518498001	1		Choke Base
19	660453001	1		Double Sided Hex Bolt
20	660454001	1		Bolt (M5 x 70 mm) Purchase locally
21	660970002	3		Screw (M4 x 10 mm Shoulder)
	308675001	1		Fuel Tank Assembly w/Cap (UT21967)
23	308674001	1		Flywheel Assembly
24	650017001	1	S	Washer
25	660967001	3		Screw (M4 x 14 mm) Purchase locally
26	638389001	3		Pulley Retainer
27	308386001	1	S	Starter Pulley Assembly
28	638033001	1	/P	Spring & Container Assembly
29	518692001	1		Starter Housing
30	638284002	1		Spacer Tube
31	638090001	1	/P	Clutch Washer
32	300960002	1		Clutch Assembly
33	308863003	1		Lead Assembly
34	901550001	1		Gasket
35	638337001	1		Crankcase Cover
36	660925003	6		Screw (M4 x 12 mm) Purchase locally
37	900849002	1	/P	Starter Rope (42 in.) Not Shown