

HOMELITE 26cc MIGHTYLITE VERSATOOL STRING TRIMMER - MODEL NUMBERS UT21566, UT21967

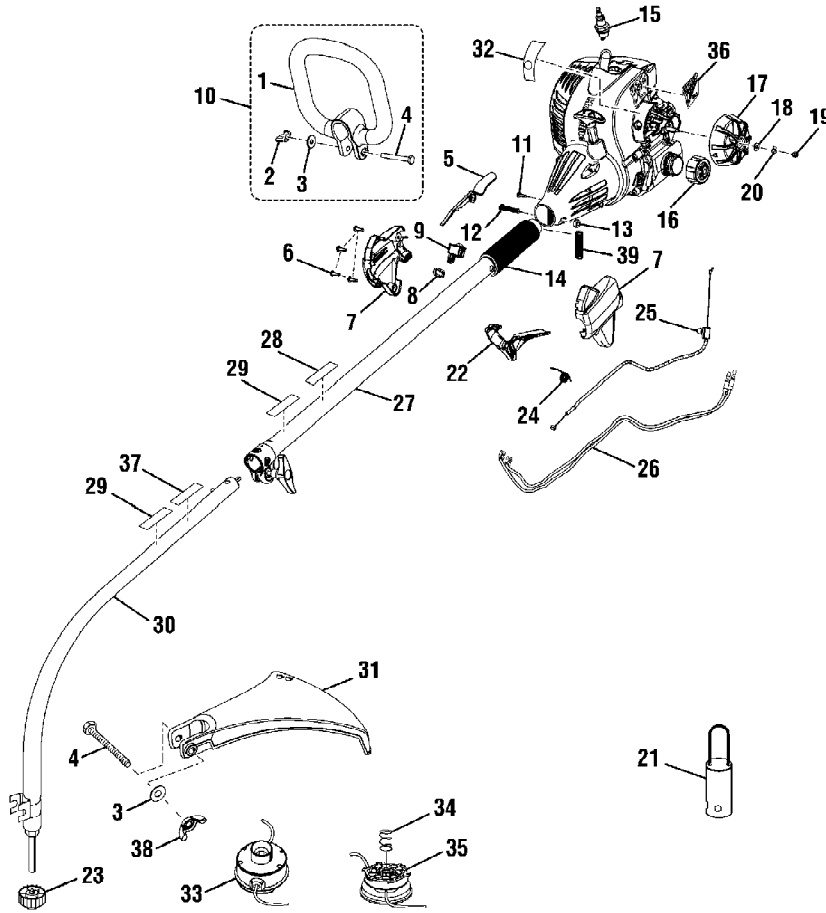
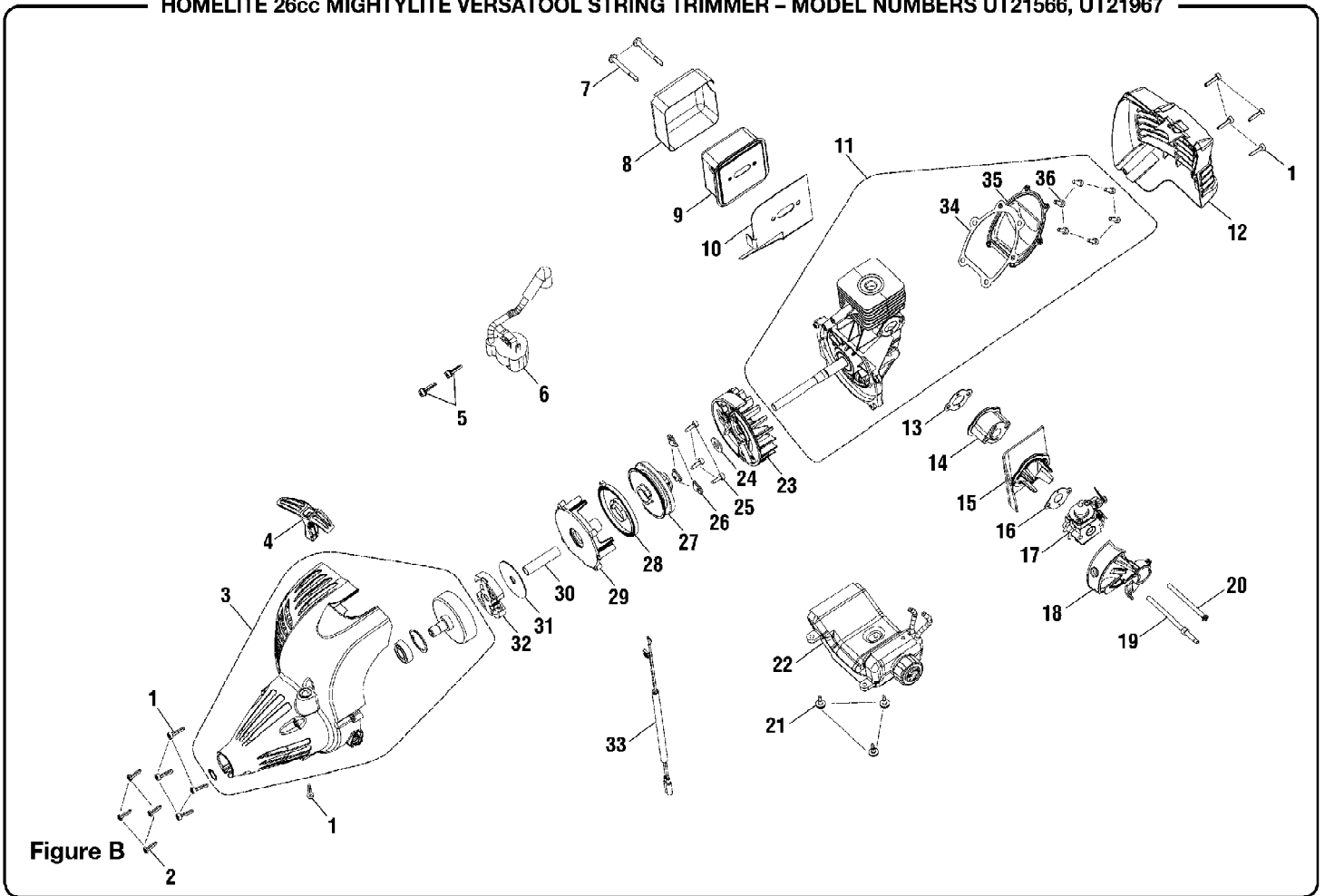


Figure A

| Ref # | Part Number | Qty | S/P/F | Description |
|-------|-------------|-----|-------|---|
| 1 | 518674002 | 1 | | Handle |
| 2 | 678246001 | 1 | S | Wing Nut (1/4-20) Purchase locally |
| 3 | 678008001 | 2 | | Washer |
| 4 | 660643008 | 2 | | Bolt (1/4-20 x 40 mm) Purchase locally |
| 5 | 518695001 | 1 | | Throttle Lock |
| 6 | 660563002 | 4 | | Screw (M4 x 20 mm) Purchase locally |
| 7 | 308888001 | 1 | | Housing Assembly |
| 8 | 638431001 | 1 | | Shoulder Strap Hook |
| 9 | 760700002 | 1 | S | Switch |
| 10 | 308741002 | 1 | | Front Handle Assembly |
| 11 | 660634001 | 1 | /P | Screw (8-16 x 5/16 in.) Purchase locally |
| 12 | 660697002 | 1 | | Bolt (M6 x 20 mm) Purchase locally |
| 13 | 678029002 | 1 | S | Hex Nut (M6) Purchase locally |
| 14 | 570450001 | 1 | | Rear Handle |
| 15 | 870174001 | 1 | /P | Spark Plug (Champion RCJ6Y); Purchase locally |
| 16 | 308680001 | 1 | | Fuel Cap |
| 17 | 518496001 | 1 | | Choke Dial Cover |
| 18 | 678434001 | 1 | | Washer |
| 19 | 678435001 | 1 | | Hex Nut (M4) Purchase locally |
| 20 | 678434002 | 1 | | Wavy Washer |
| 21 | 518019001 | 1 | S | Hanger Cap |
| 22 | 518696001 | 1 | | Throttle Trigger |
| 23 | 308042002 | 1 | /P | Spool Retainer |
| 24 | 690694002 | 1 | /P | Torsion Spring |
| 25 | 308842001 | 1 | | Throttle Cable |
| 26 | 290735002 | 2 | | Lead |
| 27 | 308885001 | 1 | | Upper Boom Assembly Incl. Key Nos. 28-29 |
| 28 | 940734009 | 1 | | Starting Label |
| 29 | 940230129 | 1 | S | Warning Label |
| 30 | 308886001 | 1 | | Lower Boom Assembly Inc. Key No. 29 and 37 |
| 31 | T308744001 | 1 | /P | Grass Deflector Inc. Key Nos. 3,4 and 38 |
| 32 | 940647008 | 1 | | Choke Label |
| 33 | 120152001 | 1 | S | Complete String Head (.080 in.) Includes Key Nos. 34-35 |
| 34 | 678022001 | 1 | S | Compression Spring |
| 35 | 308044007 | 1 | S | Spool and String (.080 in.) |
| 36 | 940755001 | 1 | | Logo Label |
| 37 | 940627024 | 1 | S | Expand-It Label |
| 38 | 678034001 | 1 | | Wing Nut (1/4-20) Purchase locally |
| 39 | 690140011 | 1 | S | Compression Spring |
| | 987000053 | 1 | | Operator's Manual (960089004) |

HOMELITE 26cc MIGHTYLITE VERSATOOL STRING TRIMMER - MODEL NUMBERS UT21566, UT21967



| Ref # | Part Number | Qty | S/P/F | Description |
|-------|-------------|-----|-------|---|
| 1 | 660466001 | 9 | | Screw (M4 x 18 mm) Purchase locally |
| 2 | 660970001 | 4 | | Screw (M4 x 16 mm) Purchase locally |
| 3 | 308671002 | 1 | | Front Housing Assembly |
| 4 | 511731001 | 1 | S | Pulley Handle |
| 5 | 660968001 | 2 | | Screw (M4 x 19 mm) Purchase locally |
| 6 | 850108002 | 1 | | Ignition Module |
| 7 | 660638003 | 2 | S | Screw (10-24 x 2-3/16 in.) Purchase locally |
| 8 | 638442001 | 1 | | Heat Shield |
| 9 | 308990001 | 1 | | Muffler Assembly |
| 10 | 901452001 | 1 | | Muffler Gasket |
| 11 | 308892001 | 1 | | Short Block Assembly Inc. Key Nos. 34-36 |
| 12 | 518504001 | 1 | | Rear Housing |
| 13 | 901551001 | 1 | | Intake Gasket Purchase locally |
| 14 | 518497001 | 1 | | Heat Dam |
| 15 | 518685001 | 1 | | Heat Dam Deflector |
| 16 | 901552001 | 1 | | Carburetor Gasket |
| 17 | 308054001 | 1 | | Carburetor |
| 18 | 518498001 | 1 | | Choke Base |
| 19 | 660453001 | 1 | | Double Sided Hex Bolt |
| 20 | 660454001 | 1 | | Bolt (M5 x 70 mm) Purchase locally |
| 21 | 660970002 | 3 | | Screw (M4 x 10 mm Shoulder) |
| 22 | 308675002 | 1 | | Fuel Tank Assembly w/Cap (UT21566) |
| 23 | 308674001 | 1 | | Flywheel Assembly |
| 24 | 650017001 | 1 | S | Washer |
| 25 | 660967001 | 3 | | Screw (M4 x 14 mm) Purchase locally |
| 26 | 638389001 | 3 | | Pulley Retainer |
| 27 | 308386001 | 1 | S | Starter Pulley Assembly |
| 28 | 638033001 | 1 | /P | Spring & Container Assembly |
| 29 | 518692001 | 1 | | Starter Housing |
| 30 | 638284002 | 1 | | Spacer Tube |
| 31 | 638090001 | 1 | /P | Clutch Washer |
| 32 | 300960002 | 1 | | Clutch Assembly |
| 33 | 308863003 | 1 | | Lead Assembly |
| 34 | 901550001 | 1 | | Gasket |
| 35 | 638337001 | 1 | | Crankcase Cover |
| 36 | 660925003 | 6 | | Screw (M4 x 12 mm) Purchase locally |
| 37 | 900849002 | 1 | /P | Starter Rope (42 in.) Not Shown |