

HOMELITE 26cc MIGHTYLITE STRING TRIMMER - MODEL NUMBERS UT21546 AND UT21947

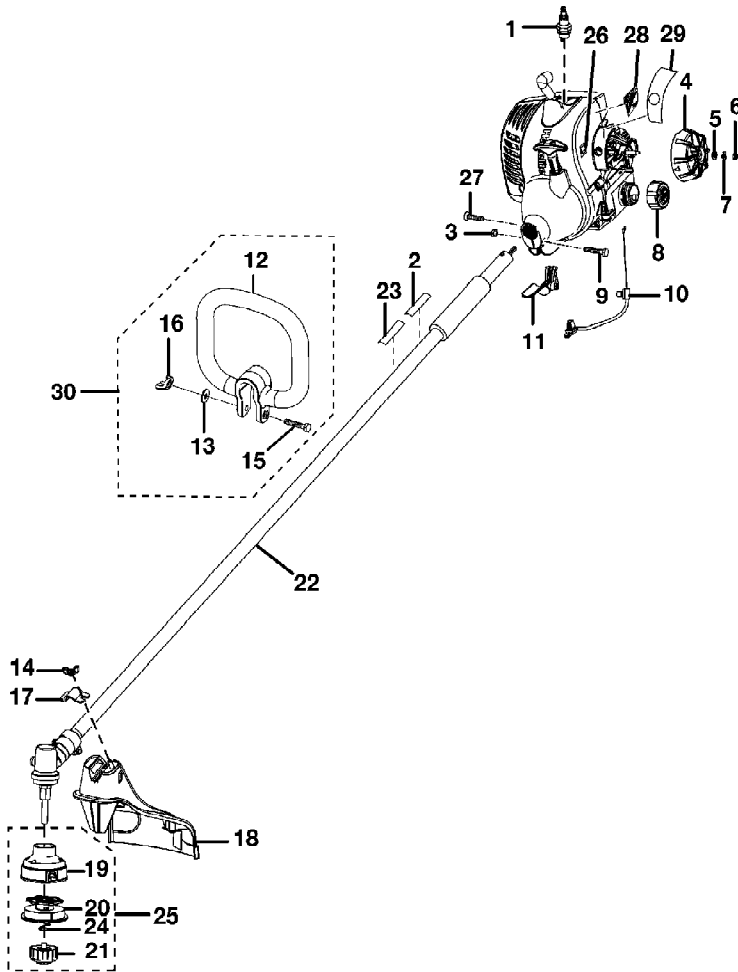


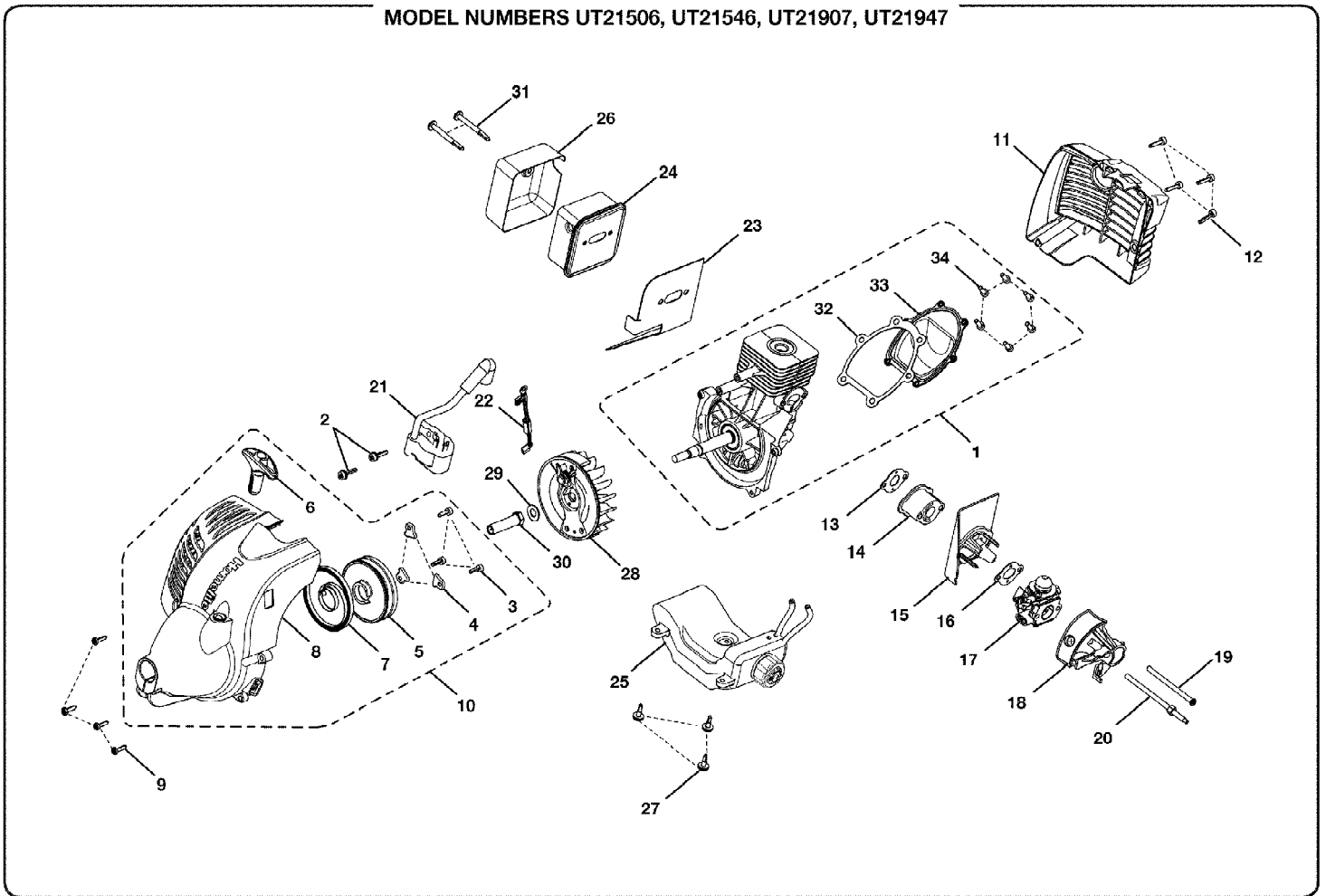
FIGURE B

Mightylite String Trimmer UT-21947
Figure B

Page 2 of 4

Ref #	Part Number	Qty	S/P/F	Description
1	870174001	1	/P	Spark Plug (Champion RCJ6Y); Purchase locally
2	940734008	1		Starting Label
3	678029002	1	S	Hex Nut (M6) Purchase locally
4	518496001	1		Choke Dial Cover
5	678434001	1		Flat Washer
6	678435001	1		Hex Nut (M4) Purchase locally
7	678434002	1		Wavy Washer
8	308680001	1		Fuel Cap
9	660697002	1		Bolt (M6 x 20 mm) Purchase locally
10	270032001	1		Throttle Cable
11	518529001	1		Throttle Trigger
12	518674001	1		Handle
13	678008001	1		Flat Washer Purchase locally
14	678034001	1		Wing Nut (1/4-20)
15	660643008	1		Bolt (1/4-20 x 40 mm) Purchase locally
16	678246001	1	S	Wing Nut (1/4-20) Purchase locally
17	678436001	1		Mounting Bracket
18	308781001	1		Straight Shaft Grass Deflector Incl. Key Nos. 14 and 17
19	308746002	1		Large String Head Housing
20	308044007	1	S	Dual Line Spool and String
21	308042003	1	/P	Spool Retainer
22	000998358	1		Boom Assembly
23	940642020	1		Warning Label
24	678022001	1	S	Spring
25	120152001	1	S	String Head Assembly
26	760700002	1	S	Switch
27	660634001	1	/P	Screw (8-16 x 5/16 in.) Purchase locally
28	940642026	1		Logo Label
29	940647008	1		Choke Label
30	308741001	1		Handle Assembly Inc. Key Nos. 12, 13, 15, and 16

HOMELITE 26cc MIGHTYLITE STRING TRIMMER -
MODEL NUMBERS UT21506, UT21546, UT21907, UT21947



Mightylite String Trimmer UT-21947
General Assembly

Page 4 of 4

Ref #	Part Number	Qty	S/P/F	Description
1	308891001	1		Short Block Assembly Inc. Key Nos. 32-34
2	660968001	2		Screw (M4 x 19 mm) Purchase locally
3	660967001	3		Screw (M4 x 14 mm) Purchase locally
4	638389001	3		Pulley Retainer
5	308386001	1	S	Starter Pulley Assembly
6	518502001	1		Pulley Handle
7	638033001	1	/P	Spring & Container Assembly
8	308672001	1		Front Housing
9	660970001	4		Screw (M4 x 16 mm) Purchase locally
10	308671001	1		Front Housing Assembly Inc. Key Nos. 3-8; Plus Key Nos. 10, 11 and 25 from Figure A
11	518504001	1		Rear Housing
12	660466001	4		Screw (M4 x 8 mm) Purchase locally
13	901551001	1		Intake Gasket Purchase locally
14	518497001	1		Heat Dam
15	518685001	1		Heat Dam Deflector
16	901552001	1		Carburetor Gasket
17	308054001	1		Carburetor
18	518498001	1		Choke Base
19	660454001	1		Screw (M5 x 70 mm) Purchase locally
20	660453001	1		Double Sided Hex Bolt
21	850108002	1		Ignition Module
22	308863001	1		Lead Assembly
23	901452001	1		Muffler Gasket
24	308990001	1		Muffler Assembly
	308675001	1		Fuel Tank Assembly w/Cap (UT21907 & UT21947)
26	638442001	1		Heat Shield
27	660970002	3		Screw (M4 x 10 mm Shoulder) Purchase locally
28	308674001	1		Flywheel Assembly
29	631049001	1	S/P	Washer
30	638348001	1		Drive Connector
31	660638003	2	S	Screw (10-24 x 2-3/16 in.) Purchase locally
32	901550001	1		Gasket
33	638337001	1		Crankcase Cover
34	660925003	6		Screw (M4 x 12 mm) Purchase locally
35	900849002	1	/P	Starter Rope (42 in. Not Shown)