

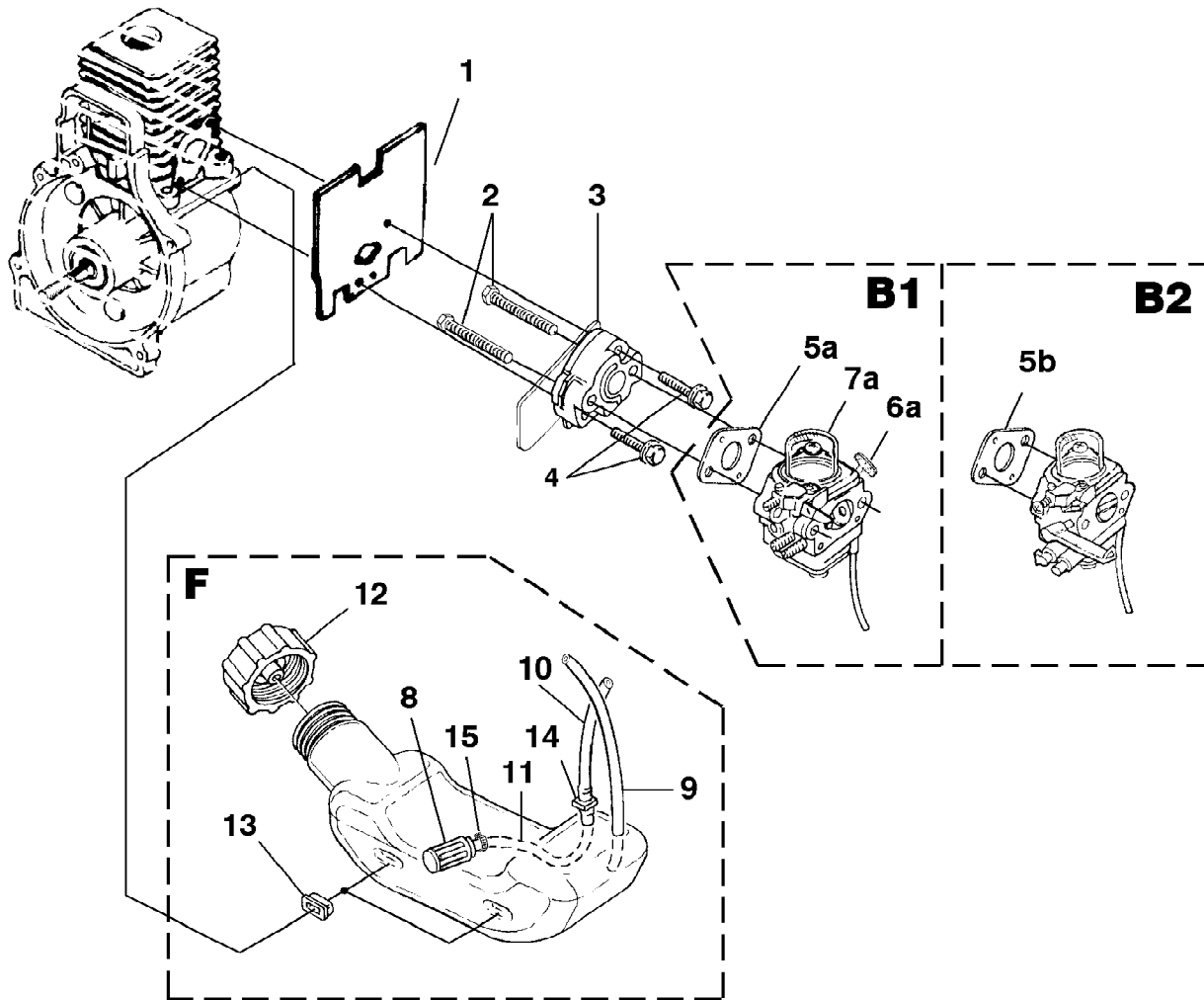
No
Diagram
Available

Parts List
Only

K300 String Trimmer UT-20783
Accessories

Page 2 of 12

Ref #	Part Number	Qty	S/P/F	Description
	18453	1	/P	GREASE, MULTI-PURPOSE
	PS24306	1	/P	MODULE AIR GAP SHIM
	A04191	1		GRASS ANTI-WRAP KIT
	98052A	1	/P	STARTER ROPE (250 Ft. Reel)
	UP06544	1	/P	TORX BIT (T25) (For Clutch Drums)
	UP07160	1	S/P	TORX BIT (T27)
	JA313164	1		IGNITION TEST SPARK PLUG
	UP05860	1	S/P	RUBBER TUBING (10 Ft.)
	DA03001A	1	S/P	STRINGHEAD-Complete - E-Z Line (.080 Line) (Right Hand Thread) (Black Retainer)
	9801106	1		REPLACEMENT STRING - E-Z Line™ (3 lb. Box) (.080" Dia.)
	DA09364	1	S	STRINGHEAD-Complete-Pro-Cut™ Fixed Line Head (.105" Dia.)
	D09365	1	S	REPLACEMENT Dura Line™ (.105" Dia.) (Cartridges for Pro-Cut™ Fixed Line Head)
	A06933	1		SAFETY GOGGLES
	UP03036	1	/P	DUST MASK
	UP00108	1	S	COMFORT STRAP

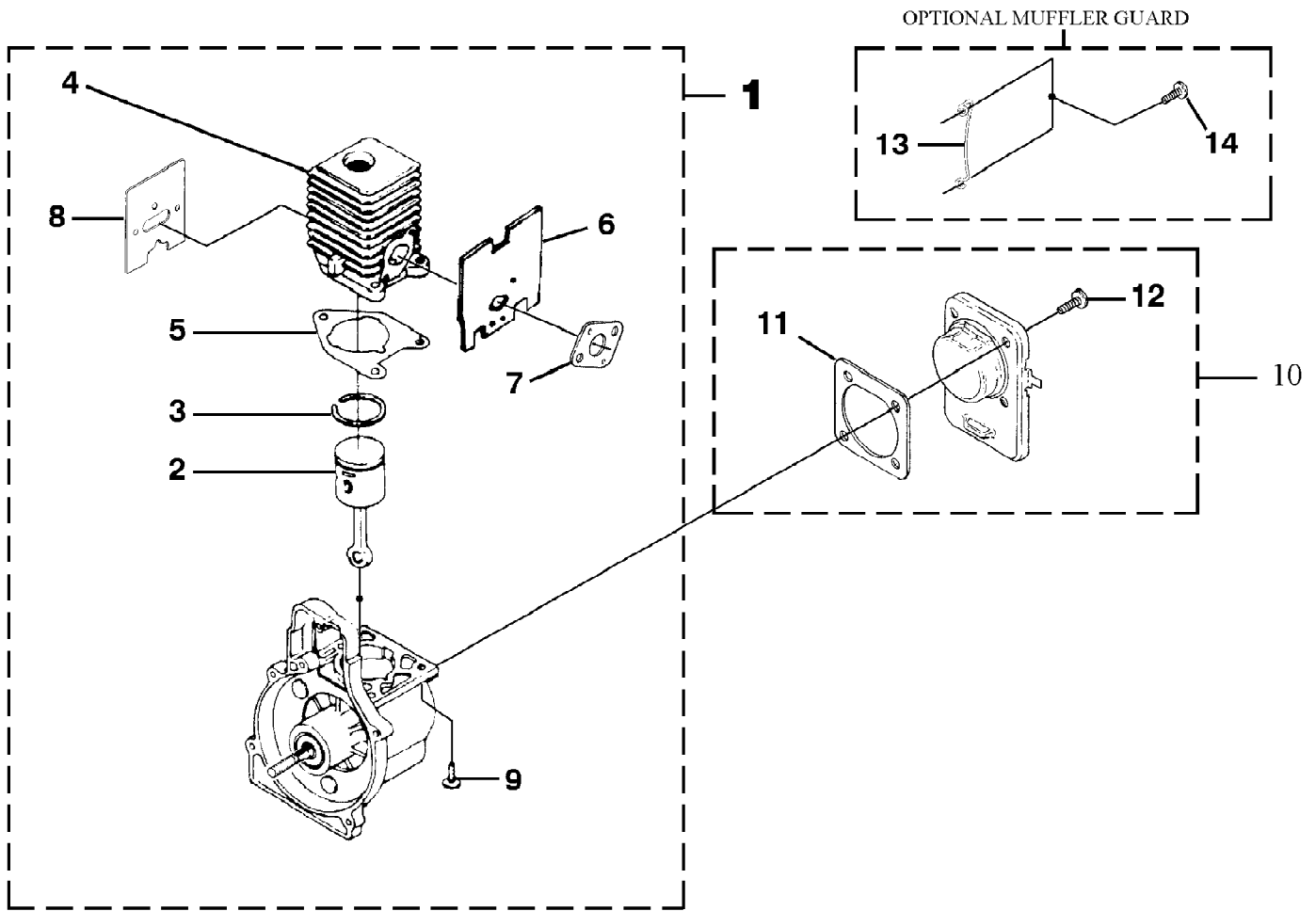


Item No.	Torque Specs		Required Loctite
	In/Lbs	Nm	
4	35-45	4.0-5.1	Red 262

K300 String Trimmer UT-20783
Carburetor - Fuel Tank

Page 4 of 12

Ref #	Part Number	Qty	S/P/F	Description
1	06900A	1	/P	GASKET-Heat Dam
2	04474	2	/P	SCREW-Machine (10-24 X 2 1/4")
3	98768A	1	/P	HEAT DAM
4	093221	2	S/P	SCREW-Sems (10-24 X 1")
B1	UP00608	1	S	CARBURETOR KIT (UT20740, [UT20760 before S/N MB0850000], UT20739, UT20742, UT20743, UT20744, UT20691R, UT20822, UT20692R, UT20826) Includes Items B1-7a
5a	UP03916	1	S	GASKET-Carburetor
6a	UP04278	1	/P	Lever-Choke (Zama)
7a	UP04803	1	/P	BULB-Primer
B2	UP04742A	1	S/P	CARBURETOR KIT (UT20761 UT20764, UT20751, UT20783, UT20760, UT20760A UT20812, UT20813 after S/N MB0849999) Includes Items B2-5b
5b	98766A	1	S/P	GASKET-Carburetor
F	UP00020	1	S	FUEL TANK ASSY. Includes Items UP-15
8	PS03380	1	/P	FILTER-Fuel
9	0143918	1	/P	TUBING-Rubber
10	0143910	1	/P	TUBING-Rubber
11	9477213	1	/P	TUBING-Rubber
12	A09116	1	S/P	FUEL CAP
13	98792	3	/P	BUMPER-Rubber
14	07332	1	S/P	FITTING-Inline
15	98268	1	S/P	CLAMP



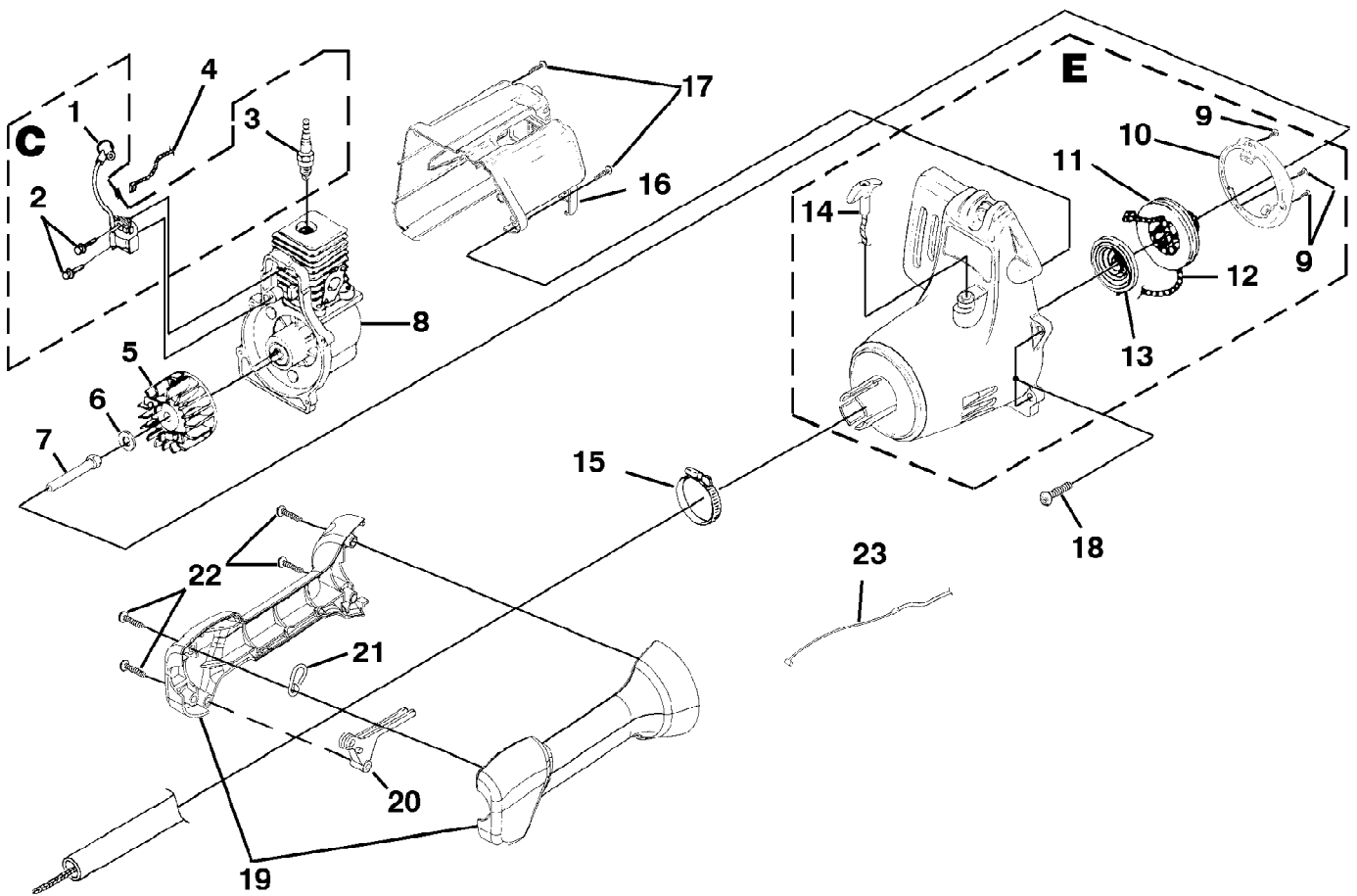
Item No.	Torque Specs		Required Loctite
	In/Lbs	Nm	
10	55-65	6.2-7.3	Red 262
13	35-45	4.0-5.1	Red 262
15	5-20	.6-2.3	

K300 String Trimmer UT-20783
Engine Internal

Page 6 of 12

Ref #	Part Number	Qty	S/P/F	Description
1	UP03116A	1	/P	SHORT BLOCK Includes Items UP-9
2	PA00296	1	S	PISTON & ROD ASSY. Includes Items 2-3
3	PS01359	1	S/P	RING-Piston
4	PS05699	1		CYLINDER ASSY.
5	04388B	1	S/P	GASKET-Cylinder
6	06900A	1	/P	GASKET-Heat Dam
7	98766A	1	S/P	GASKET-Carburetor
8	09343	1	/P	GASKET-Muffler
9	PS02807	3	/P	SCREW-Sems (12-24 X 3/4")
10	UP00019A	1	/P	CRANKCASE COVER ASSEMBLY
11	08661	1	/P	GASKET-Crankcase Cover (Also included w/short block)
12	PS01565	4	/P	SCREW-Sems (10-24 X 1/2")
13	09366	1		MUFFLER GUARD
14	82541	2	/P	SCREW-Thread Forming (10-14 X 1/2")

K300 String Trimmer UT-20783
Ignition - Rotor - Starter

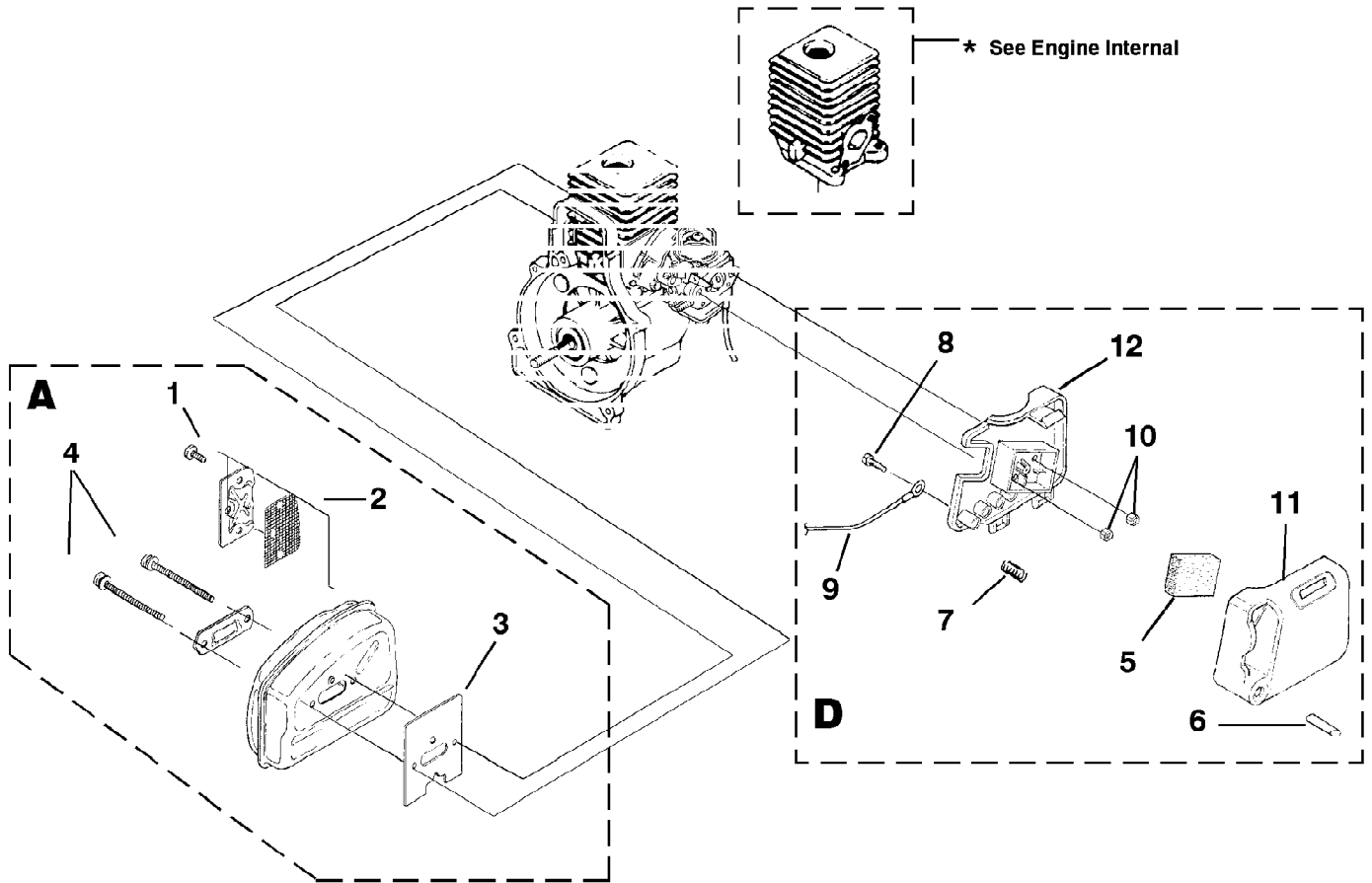


Item No.	Torque Specs		Required Loctite
	In/Lbs	Nm	
2	30-40	3.4-4.5	Blue 242
3	120-180	13.6-20.3	
7	100-150	11.3-16.9	
9	10-20	1.1-2.3	
15	40-50	4.5-5.6	
17	30-50	3.4-5.6	
18	30-40	3.4-4.5	
22	30-50	3.4-5.6	

K300 String Trimmer UT-20783
Ignition - Rotor - Starter

Page 8 of 12

Ref #	Part Number	Qty	S/P/F	Description
C	UP03858	1	/P	IGNITION Includes Items C-3
1	UP03868	1	S/P	TERMINAL & COVER
2	82540	2	/P	SCREW-Taptite (8-32 X 1")
3	PS02227	1	S/P	SPARK PLUG
4	A07238	1	/P	LEAD-Electrical
5	984521001	1	S	ROTOR
6	95479A	1	/P	WASHER-Flat
7	98795A	1	/P	CONNECTOR-Drive (.250)
8	UP03116A	1	/P	SHORT BLOCK See "Engine Internal"
E	UP03092A	1	/P	COMPLETE STARTER ASSEMBLY Includes Items E-14
9	82543	3	/P	SCREW-Taptite (8-16 X 1/2")
10	PS00326	1	/P	BAFFLE-Air
11	98770A	1	/P	PULLEY-Starter
12	9789902	1	S/P	ROPE-Starter (42")
13	A98773A	1	S/P	SPRING & CONTAINER
14	PS00179	1	/P	GRIP-Starter
15	PS01611	1	S/P	CLAMP
16	09210	1	/P	HOUSING-Rear Kit
17	82537	2	/P	SCREW-Taptite (10-14 X 7/8")
18	82538	4	/P	SCREW-Taptite (10-24 X 3/4")
19	UP03091A	1	/P	CONTROL HANDLE ASSY.
20	088331	1	/P	TRIGGER-Throttle
21	07516	1	/P	HOOK-Harness (not for 20760A)
22	82537	4	/P	SCREW-Taptite (10-14 X 7/8")
23	0883202	1	S/P	CABLE-Throttle

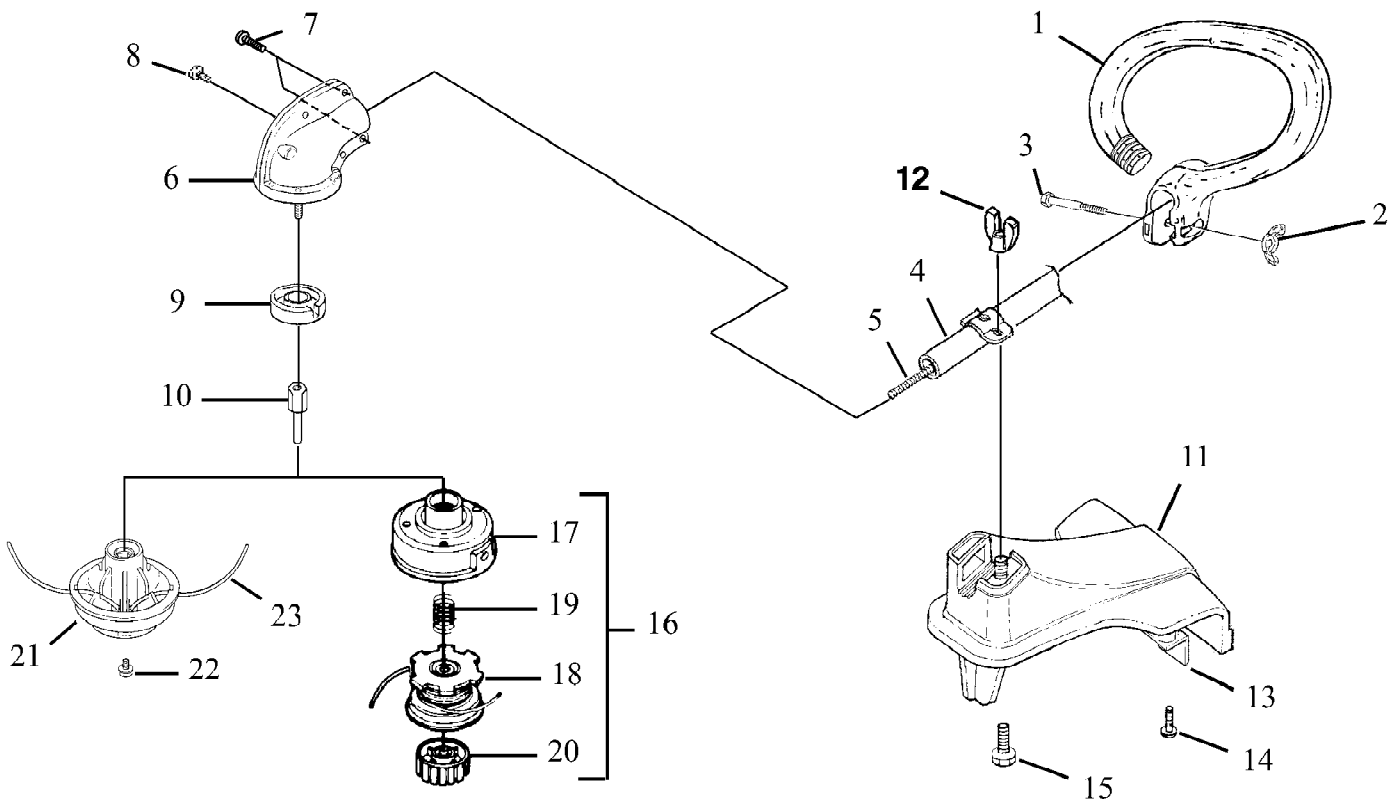


Item No.	Torque Specs		Required Loctite
	In/Lbs	Nm	
1	25-35	2.8-4.0	
4	50-60	5.6-6.8	
8	5-10	.6-1.1	
10	30-40	3.4-4.5	

K300 String Trimmer UT-20783
Muffler - Air Cleaner

Page 10 of 12

Ref #	Part Number	Qty	S/P/F	Description
A	PA01614	1	S/P	MUFFLER ASSY.
1	82600	3	/P	SCREW, Taptite- (8-32 X 3/8")
2	06502	1	/P	SCREEN-Spark
3	09343	1	/P	GASKET-Muffler
4	88083	2	S/P	SCREW, Truss Hd. - (10-24 X 2.188)
D	UP04741A	1	/P	AIR FILTER KIT
5	98760	1	/P	FILTER-Air
6	06618A	1	/P	BUTTON-Switch
7	95020A	1	/P	SPRING-Compression
8	82513	1	/P	SCREW-Thread Form (6-19 x 1/2")
9	A07238	1	/P	LEAD-Electrical
10	81208	2	/P	NUT-Hex (10-24)
11	PS02113	1	/P	AIR FILTER BOX
12	PS02156	1		COVER AIR BOX



Item No.	Torque Specs		Required Loctite
	In/Lbs	Nm	
2	Hand Tight		
7	15-20	1.7-2.3	
8	40-50	4.5-5.6	
10	100-120	11.3-13.6	
12	Hand Tight		
14	30-40	3.4-4.5	
22	40-60	4.6-6.8	

K300 String Trimmer UT-20783
Shaft - Spool & String - Grass Deflector

Page 12 of 12

Ref #	Part Number	Qty	S/P/F	Description
1	UP06959A	1	S/P	HANDLE-Anti-Vibe Includes Items 1-3
2	93992	1	/P	NUT-Wing, Washer Faced (1/4-20)
3	80295	1	/P	SCREW-Cap Hex Hd. (1/4-20 x 2")
4	PA00983A	1	S/P	DRIVESHAFT HOUSING ASSY.
5	98818	1	/P	SHAFT-Flexible
6	UP06970A	1		GEARHEAD Includes Items 6-8
7	82597	2	S/P	Screw, Truss Hd. (10-24 x 1/2")
8	PS01605	1	/P	Screw, Truss Hd. (10-24 x 5/8")
9	04168A	1	S/P	WASHER-Flanged
10	04355	1	/P	ADAPTER-Shaft
11	UP04888A	1	/P	GRASS DEFLECTOR KIT Includes Items 11-15
12	PS02453	1	/P	WING NUT
13	07129	1	/P	BLADE-Cut-off
14	82546	2	S/P	SCREW-Mach.Hex Hd. (10-24 X 3/8")
15	PS02435	1	/P	SCREW-Square Head
16	UP04408	1	S/P	STRINGHEAD-Complete (.080" Line)
17	A98231A	1	S/P	HOUSING & EYELET (Dual Line)
18	PA0387A	1	S	SPOOL & STRING (.080" Line)
19	06713	1	/P	SPRING-Compression
20	A98866A	1	S/P	RETAINER-Spool (R.H. Thread, Black)
21	DA09364	1	S	STRINGHEAD-Pro-Cut w/line (UT20743) Includes Item 21
22	PS00082	1	/P	SCREW (5/16-18 x 5/8")
23	D09365	1	S	LINE-Replacement