

HTC12 Tiller UT-22089
Engine

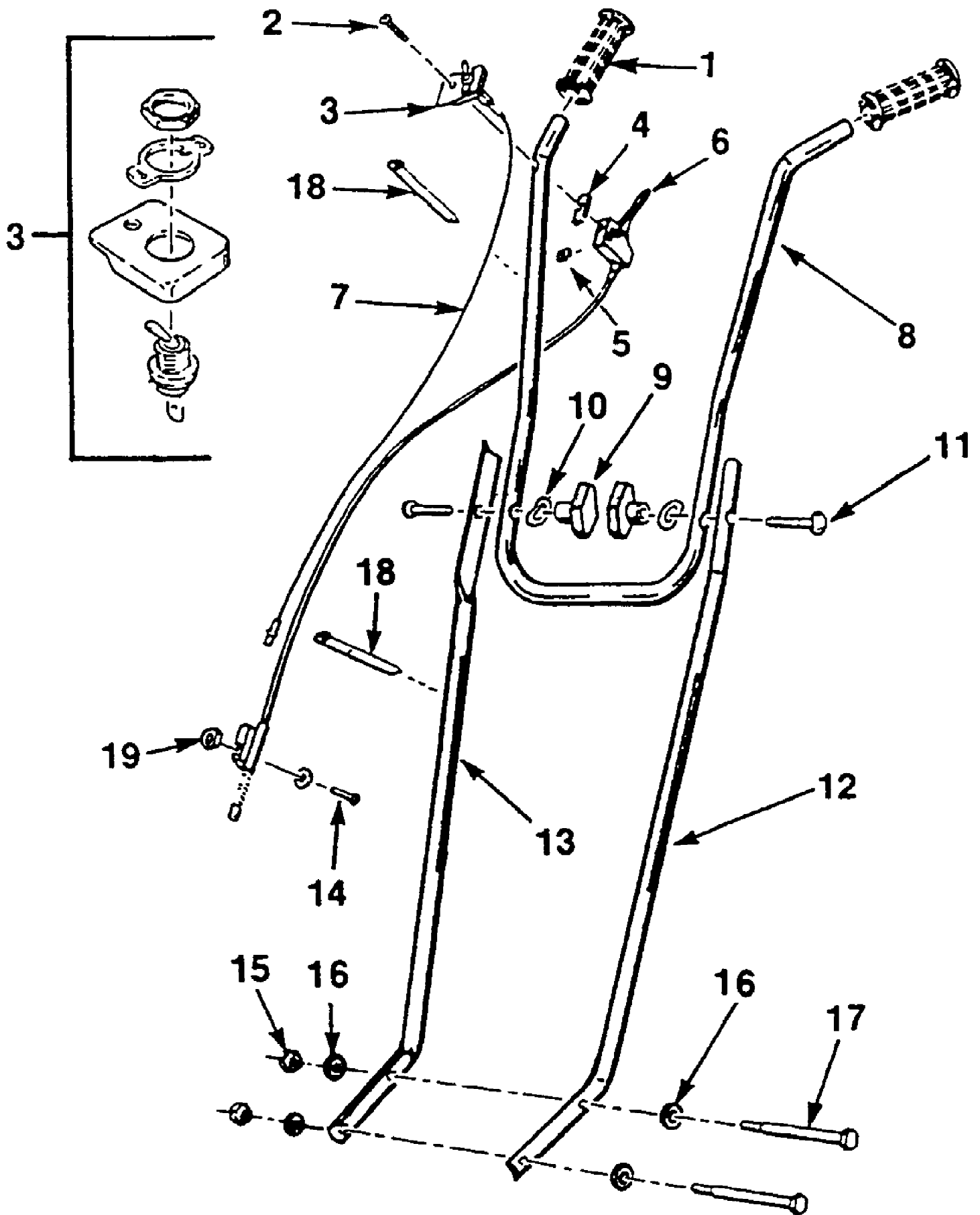
Page 2 of 9

Ref #	Part Number	Qty	S/P/F	Description
1	88060	2	S/P	SCREW- Sems hex hd. (10-24 x 2 1/2")
2	A04312	1		COVER- Muffler
3	98782	1	S	BAFFLE- Muffler
4	98784A	1		SCREEN- Spark
5	98860A	2	S	SPACER- Muffler
6	98783	1	/P	PLATE- Reinforcing
7	A01323	1	S	BODY- Muffler
8	98786B	1		GASKET- Muffler
9	0401808	1	S	RING- Retaining
10	0401801	1	S	CUP- Starter
11	0401803	2	S	SPRING
12	0401802	2	S	PAWL- Starter
13	0406902	1	/P	GRIP- Starter
14	0406901	1		HOUSING- Starter
15	0406906	1	S	SPRING- Recoil
16	0406905	1	S	PULLEY
17	0406904	1	/P	SCREW- Set
18	0406903	1	/P	ROPE- Starter
19	04023	1	S	COWLING- Engine
20	82541	1	/P	SCREW- Truss hd. (#10 x 1/2")
21	01183	1	/P	BULB- Primer
22	A01440A	1	S	AIR FILTER BOX ASSEMBLY Includes Item #23.
23	00772	1		DECAL- Choke
24	03808	1		BRACKET- Cable mounting
25	A03739	1		CARBURETOR
26	0143916	1	/P	RUBBER TUBING (4")
27	98766A	1	S/P	GASKET- Carburetor
28	01104	1	/P	GASKET- Heat Dam
29	81208	2	/P	NUT- Hex lock (10-24)
30	98768	1	S	HEAT DAM
31	825491	2	S	SCREW- Thd. Forming (10-24 x 1")
32	82542	2	/P	SCREW- Truss hd.(10-24 x 2 1/4")
33	D98760A	1		AIR FILTER
34	82538	12	/P	SCREW- Truss hd. (10-24 x 3/4")
35	A04017	1		COVER- Crankcase Includes Item Nos. 36-39.
36	98800	1	/P	SEAL-Shaft
37	00270A	1	S	BEARING- Ball
38	03632	1	S	SPACER
39	04016	1		SHAFT- Starter
40	98767A	1	/P	GASKET- Crank Cover
41	98792	3	/P	BUMPER- Rubber
42	96169S	1	S	SPARK PLUG
43	A03710	1		SHORT BLOCK Includes Item Nos. 44-49.
44	A03785A	1	S	CYLINDER & GASKET
45	03703A	1	S	GASKET- Cylinder
46	A03705	1		PISTON & ROD
47	03179	2	/P	RING- Piston
48	00470	1		BRACKET- Governor Spring
49	69250	1	/P	KEY- Woodruff
50	A03649	1	S	LEAD- Electrical

HTC12 Tiller UT-22089
Engine

Page 3 of 9

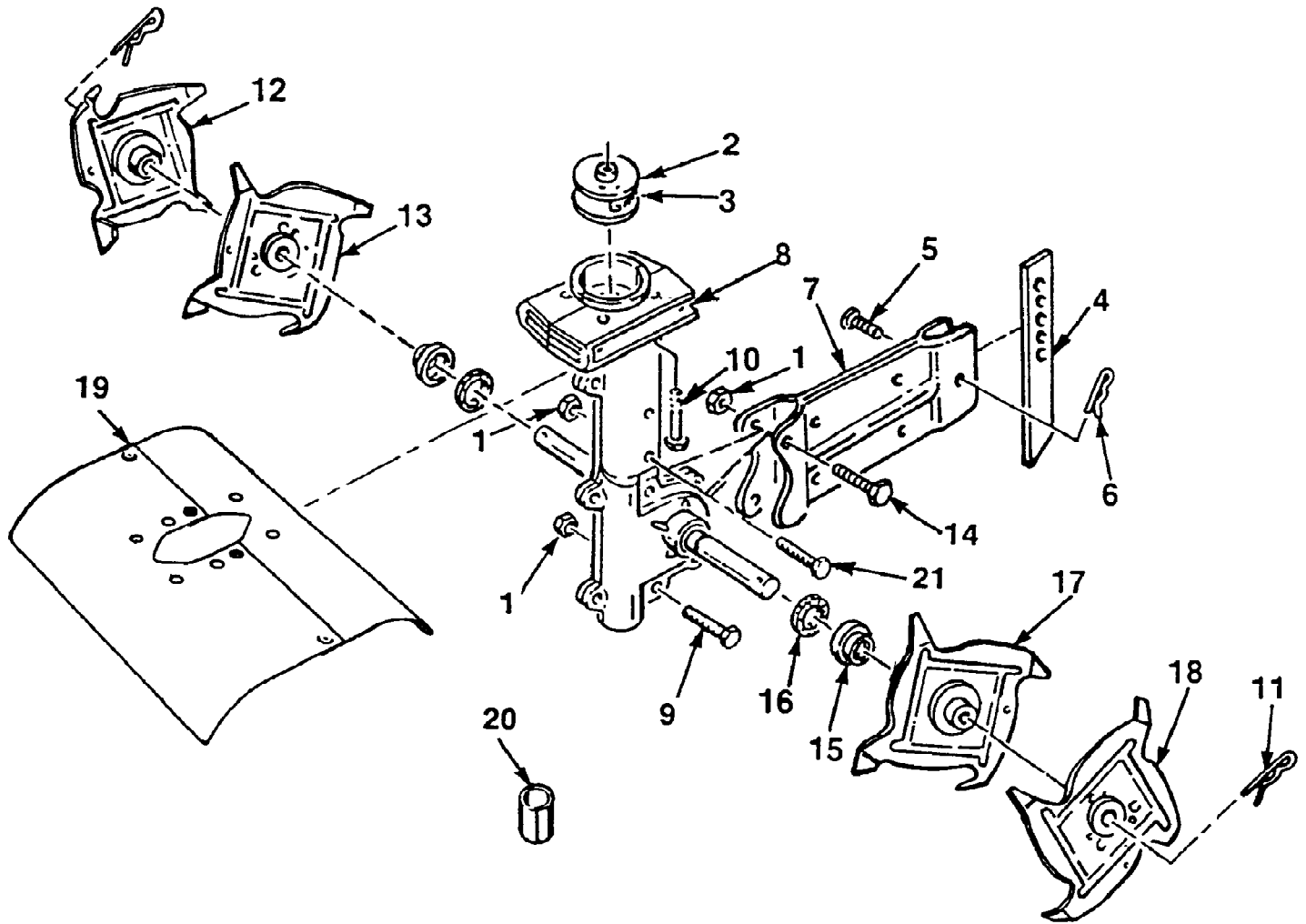
Ref #	Part Number	Qty	S/P/F	Description
51	94711CS	1	/P	MODULE- Ignition Includes Item #52.
52	69326	1		LEAD
53	A33055	1	/P	TERMINAL
54	82540	2	/P	SCREW- Taptite (8-32 x 1")
55	03628	1	/P	ROD- Governor
56	02242	1	/P	SPRING- Extension
57	JA460014	1		PIN- Cotter
58	82569	3	S	SCREW- Thd. forming (10-24 x 3/4")
59	03627	1		VANE- Governor
60	A04158	1	S	ROTOR & STARTER PAWL KIT Includes Item #61.
61	A70285E	1	/P	STARTER PAWL KIT
62	95479A	1	/P	WASHER- Flat
63	035662	1	S	SPACER
64	A012379	1	S	HOUSING
65	03626	1	/P	SPACER- Engine
66	A03547	1		WIRE- Ground
67	A00982A	1		FUEL CAP Includes Item #68.
68	98805A	1	/P	GASKET- Fuel cap
69	A04036	1	/P	TANK- Fuel Includes Item Nos. 69-73.
70	98268	1	S/P	CLAMP- Wire
71	9477245	1	/P	TUBING- Rubber
72	0143924	1		TUBING- Rubber (6")
73	49422	1	S	FILTER- Fuel
	04193	1		REPAIR KIT
	04194	1		GASKET/DIAPHRAGM KIT



HTC12 Tiller UT-22089
Handles and Controls

Page 5 of 9

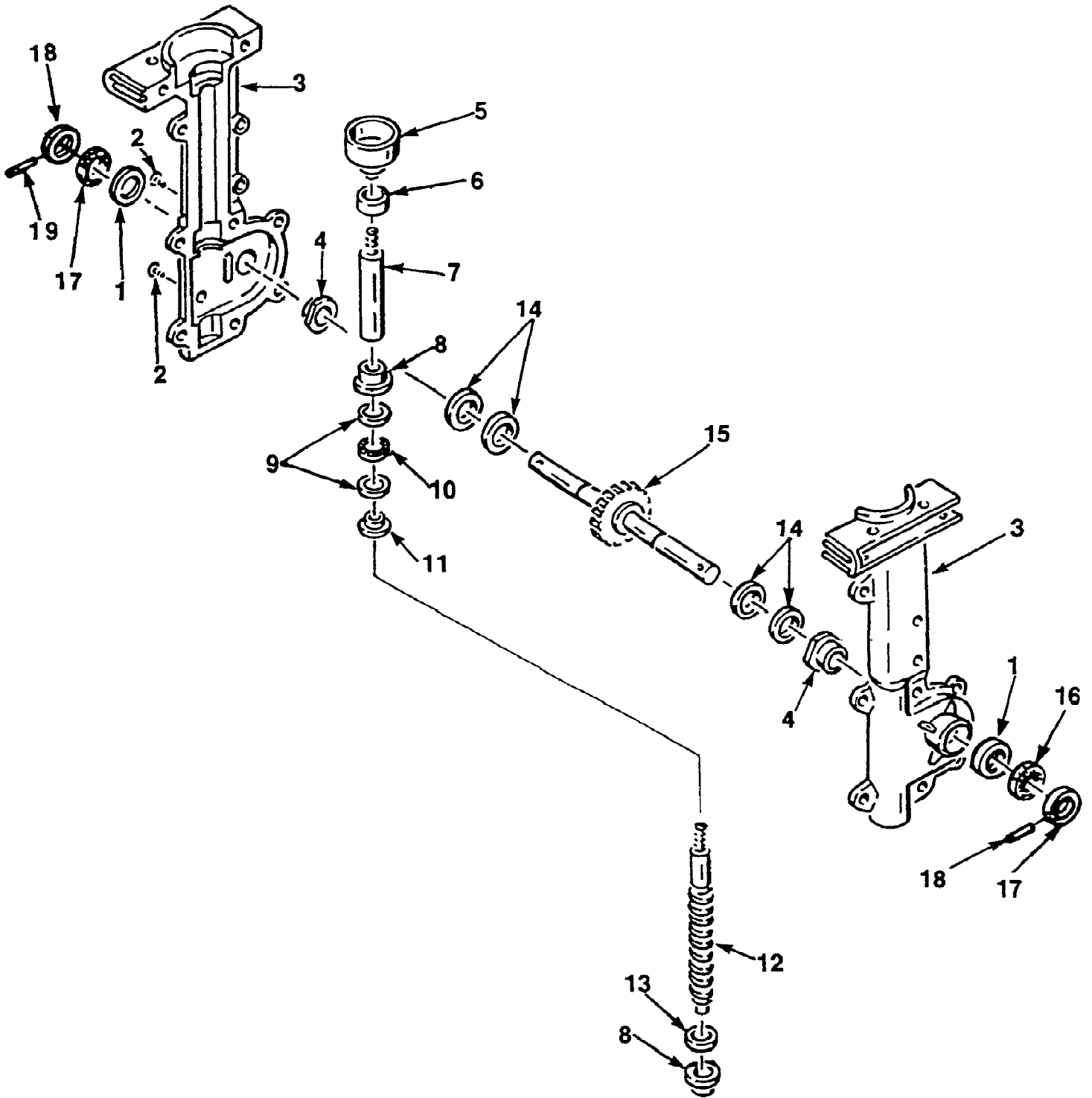
Ref #	Part Number	Qty	S/P/F	Description
1	0107568	2	/P	GRIP- Handlebar
2	0107559	1	/P	SCREW- Set (#10-24 x 1 3/8")
3	0107515	1		SWITCH ASSEMBLY-w/Mounting Plate
4	0107560	1	/P	ISOLATOR- Trigger
5	0107561	1	/P	NUT- Throttle/Switch Assy.
6	0107540	1		THROTTLE CABLE ASSEMBLY w/Throttle Trigger
7	A03649	1	S	GROUND WIRE ASSEMBLY
8	0107519	1	/P	HANDLEBAR- Upper
9	0107564	2	/P	KNOB- Plastic Handlebar (5/16")
10	0107562	2	/P	WASHER- Curved Knob (5/16")
11	0107556	2	/P	SCREW- Curved Head (5/16-18 x 1 1/2")
12	0107546	1	S	HANDLEBAR- Lower (L.H.)
13	0107544	1	/P	HANDLEBAR- Lower (R.H.)
14	88044	1		SCREW- Hex hd. (#8-32 x 1")
15	81204	2	/P	NUT- Flex-lock (1/4-20)
16	0107562	4	/P	WASHER- Curved (5/16")
17	JA400134	2		SCREW (1/4-20 x 4 1/2")
18	0107558	2	S	TIE STRAP
19	81009	1	/P	NUT- Hex (8-32)



HTC12 Tiller UT-22089
Tiller

Page 7 of 9

Ref #	Part Number	Qty	S/P/F	Description
1	81204	9	/P	NUT- (1/4-20)
2	0107539	1	/P	CLUTCH
3	0107553	2	S	SPRING- Clutch
4	0107520	1	S	DRAG STAKE
5	JA461451	1		PIN- Clevis (5/16 x 7/8")
6	0107566	1	/P	HAIRPIN
7	0107570	1	S	DRAG STAKE BRACKET ASSEMBLY
8	0103102	1	/P	TRANSMISSION ASSEMBLY
9	80052	5	/P	SCREW- Hex hd. (1/4-20 x 3/4")
10	88058	4	/P	SCREW- Hex washer (10-24 x 2 1/2")
11	0107590	2	/P	HAIRPIN- Cotter (3/4")
12	0107505	1	/P	TINE AND HUB (R.H.) Outboard (D)
13	0107509	1	/P	TINE AND HUB (R.H.) Inboard (C)
14	82496	2	/P	SCREW- (1/4-20 x 1")
15	0107551	2	S	DIRT CAP- Black Plastic
16	0107583	2	S	WASHER- Felt (1/8 x 3/4 x 1 1/2")
17	0107513	1	/P	TINE AND HUB (L.H.) Inboard (B)
18	0107512	1	/P	TINE AND HUB (L.H.) Outboard (A)
19	0103101	1	/P	SHIELD ASSEMBLY
20	0107548	2	/P	TINE SPACERS
21	80388	2	/P	SCREW- Hex hd. (1/4-20 x 1 1/4")



HTC12 Tiller UT-22089
Transmission

Page 9 of 9

Ref #	Part Number	Qty	S/P/F	Description
1	0107585	2	S	SEAL- Lip (3/4")
2	0107580	2	S	SCREW- Slotted hex hd. (1/4-20 x 1/2")
3	0103102	1	/P	TRANSMISSION ASSEMBLY
4	0107579	2	S	BUSHING- Bronze (3/4" I.D.)
5	0107529	1	S	DRUM & HUB (Clutch)
6	0107532	1	S	BEARING- Roller
7	0107525	1	/P	SHAFT- Connecting
8	0107531	2	S	BUSHING- Bronze (7/16")
9	0107534	2	S	WASHER- Thrust hardened
10	0107535	1	S	BEARING- Needle (thrust)
11	0107550	1	/P	WASHER- Adaptor
12	0107526	1	S	SHAFT- Worm (3/4 x 7/16-16) (16P)
13	0107536	1	S	WASHER- Thrust (3/4 x 7/16")
14	0107578	4	/P	WASHER- Thrust (16 x 3/4 x 1 1/2")
15	0107524	1	S	SHAFT- Tine, w/Worm Wheel
16	0107583	2	S	WASHER- Felt seal (1/8 x 3/4 x 1 1/4")
17	0107551	2	S	DIRT CAP
18	0107552	2	/P	SCREW- Set (#10-32 x 1/4") Metal Dirt Cap
19		1		UNKNOWN