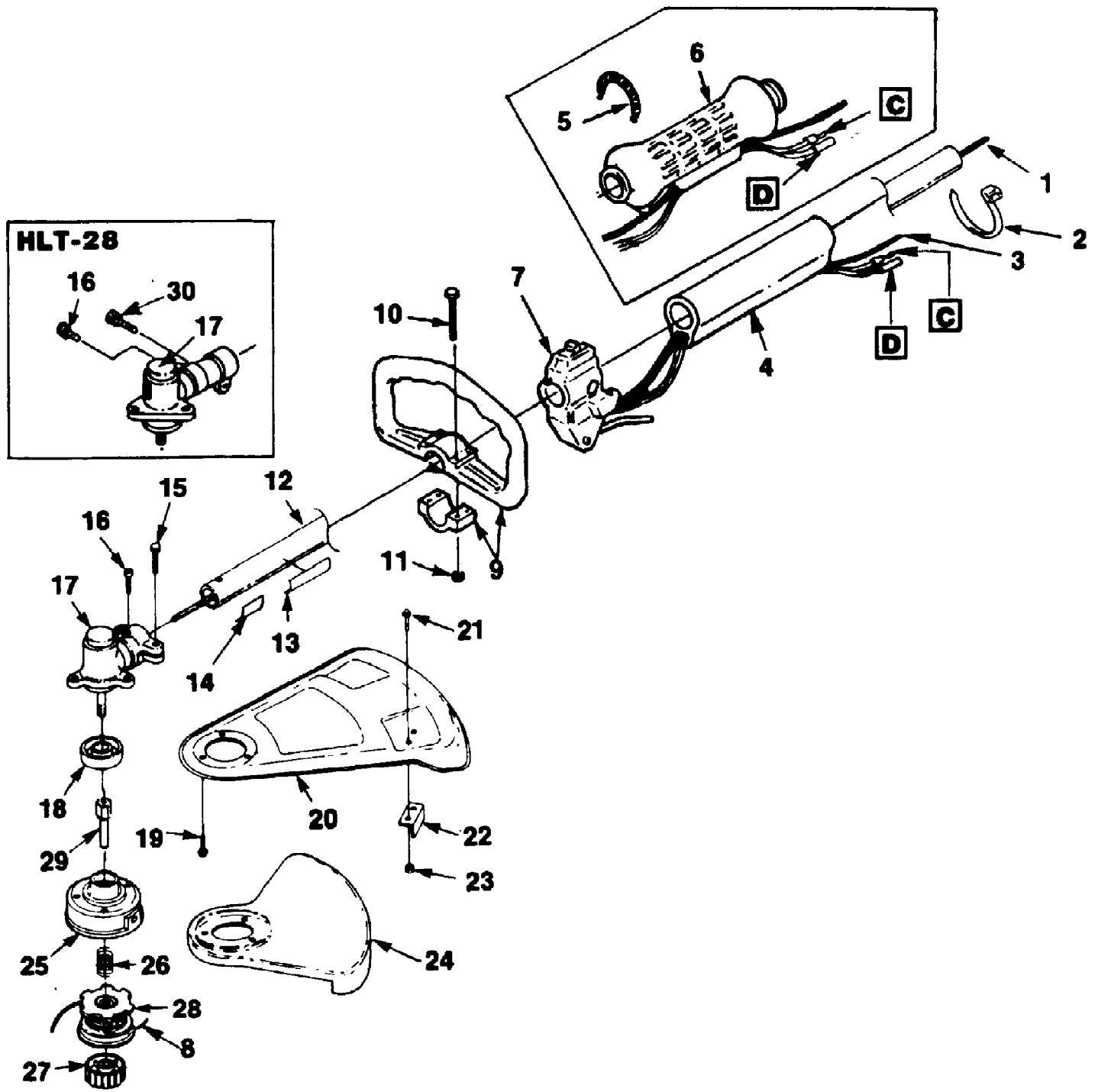


**EN ACCESSORIES**  
**F ACCESSOIRES**  
**NL TOEBEHOREN**  
**D ZUBEHÖR**  
**I ACCESSORI**  
**E ACCESORIOS**  
**P ACESSÓRIOS**

<b>EN Ignition Test Spark Plug ..... JA-31316-4</b>	<b>EN Holding tool ..... 00063</b>
<b>F Testeur d'allumage</b>	<b>F Outil de maintien</b>
<b>NL Bougie voor ontstekingscontrole</b>	<b>NL Blokkeerpen</b>
<b>D Testzündkerze für Zündprüfung</b>	<b>D Haltewerkzeug</b>
<b>I Candela di collaudo</b>	<b>I Attrezzo di bloccaggio</b>
<b>E Bujia para probar el encendido</b>	<b>E Herramienta sujetadora</b>
<b>P Vela de ensaio da ignição</b>	<b>P Acessório de suporte</b>
<b>EN Rubber Tubing (10 ft) (3,05 m) ..... 94772-99</b>	<b>EN Grease, Multi-Purpose ..... 18453</b>
<b>F Tubes en caoutchouc (3,05 m)</b>	<b>F Graisse universelle</b>
<b>NL Rubber slang (3,05 m)</b>	<b>NL Universeel vet</b>
<b>D Gummirohr (3,05 m)</b>	<b>D Mehrzweck-Schmiermittel</b>
<b>I Dotto di gomma (3,05 m)</b>	<b>I Grasso, multiuso</b>
<b>E Tubo de caucho (3,05 m)</b>	<b>E Grasa universal</b>
<b>P Tubo de borracha (3,05 m)</b>	<b>P Lubrificante, para fins múltiplos</b>
<b>EN Starter Rope (250 ft Reel) (76 m) ..... 98052-A</b>	<b>EN Carburetor Repair Tool ..... 17789</b>
<b>F Cordon de lanceur (bobine de 76 m)</b>	<b>F Outil de réparation de carburateur</b>
<b>NL Startkoord (spoel met 76 m)</b>	<b>NL Reparatiegereedschap voor carburateur</b>
<b>D Starterseil (76 m Spule)</b>	<b>D Vergaser-Reparaturwerkzeug</b>
<b>I Corda d'avviamento (bobina da 76 m)</b>	<b>I Attrezzo di riparazione del carburatore</b>
<b>E Cuerda de arranque (carrete de 76 m)</b>	<b>E Herramienta de reparación del carburador</b>
<b>P Cabo do arrancador (rolo de 75 m)</b>	<b>P Ferramenta de reparação do carburador</b>
<b>EN Torx Drive Bit T25 ..... 24982-01</b>	<b>EN Thread Locking Compound ..... 23488-C</b>
<b>F Foret torx</b>	<b>F Produit de blocage de filetage</b>
<b>NL Torx-drijfbit</b>	<b>NL Borgmiddel voor schroefdraden</b>
<b>D Torx-Antriebsbit</b>	<b>D Gewinde-Sicherungsmasse</b>
<b>I Punta Torx Drive</b>	<b>I Composto di bloccaggio della filettatura</b>
<b>E Broca de empuje Torx</b>	<b>E Pasta selladora de roscas</b>
<b>P Broca accionadora Torx</b>	<b>P Composto de retenção de roscas</b>
<b>EN Torx Bit (for clutch drum) T25 ..... 24982-03</b>	<b>EN Shim (.125") (3,17 mm) ..... 24306</b>
<b>F Foret torx (pour tambour d'embrayage)</b>	<b>F Cale (3,17 mm)</b>
<b>NL Torx drijfbit (voor koppelingstrommel)</b>	<b>NL Afstandsbus (3,17 mm)</b>
<b>D Torx-Antriebsbit (für Kupplungstrommel)</b>	<b>D Distanzscheibe (3,17 mm)</b>
<b>I Punta Torx Drive (per il tamburo della frizione)</b>	<b>I Spessore (3,17 mm)</b>
<b>E Broca de empuje Torx (tambor del embrague)</b>	<b>E Suplemento (3,17 mm)</b>
<b>P Broca Torx (para o tambor da embraagem)</b>	<b>P Calço (3,17 mm)</b>
<b>EN Torx Drive Bit T-27 ..... 18566-01</b>	<b>EN Rubber Tubing (10 ft.) ..... 01439-99</b>
<b>F Foret torx</b>	<b>F Tubes en caoutchouc (3,05 m)</b>
<b>NL Torx-drijfbit</b>	<b>NL Rubber slang (3,05 m)</b>
<b>D Torx-Antriebsbit</b>	<b>D Gummirohr (3,05 m)</b>
<b>I Punta Torx Drive</b>	<b>I Dotto di gomma (3,05 m)</b>
<b>E Broca de empuje Torx</b>	<b>E Tubo de caucho (3,05 m)</b>
<b>P Broca accionadora Torx</b>	<b>P Tubo de borracha (3,05 m)</b>

Ref #	Part Number	Qty	S/P/F	Description
JA313164	JA313164	1		Ignition Test Spark Plug
9477299	9477299	1	/P	Rubber Tubing (10 ft.) (3.05 m)
98052-A	98052A	1	/P	Starter Rope (250 ft. Reel) (76 m)
2498201	2498201	1		Torx Drive Bit T25
24982-03	2498203	1	S	Torx Bit (for clutch drum) T25
18566-01	1856601	1	/P	Torx Drive Bit T-27
00063	00063	1	S/P	Holding tool
18453	18453	1	/P	Grease, Multi-Purpose
17789	17789	1	S	Carburetor Repair Tool
23488C	23488C	1		Thread Locking Compound
24306	24306	1	S	Shim (.125") (3.17 mm)
01439-99	0143999	1		Rubber Tubing (10 ft.)



HLT28 String Trimmer UT-20595  
Boom & Head

Page 4 of 10

Ref #	Part Number	Qty	S/P/F	Description
1	98832	1	/P	DRIVE SHAFT (HBC-30)
	98818	1	/P	SHAFT- Flex (HLT-28)
2	46840	3	/P	CABLE- Tie
3	A03004	1	/P	CABLE- Throttle (HBC-30)
	A03006	1	/P	CABLE- Throttle (HLT-28)
4	03234	1		PAD- Hip (HBC-30)
5	00737	2	/P	SPRING- Torsion (HBC-30)
6	00597A	1		GRIP- Handle (HBC-30)
7	A00738	1	S	THROTTLE & SWITCH w/LEAD (HBC-30)
8	0395903	1	S	LINE- Replacement (.095 Dia.) (1 lb.)
9	A00736	1		HANDLE (HBC-30)
10	00676	4	/P	SCREW (1/4-20 x 7/8") (HBC-30)
11	00677	4	/P	NUT- Hex (HBC-30)
12	A03800	1	S	HOUSING- Drive shaft (HBC-30)
13	989241	1		DECAL- Starting Inst. (HBC-30)
14	02985	1	S	DECAL- Warning (HBC-30)
	A041481	1		HOUSING- Drive shaft (HLT-28)
	989231	1		DECAL- Start Inst.
	04154	1		DECAL- Warning
	98818	1	/P	SHAFT- Flexible (see #1)
15	88053	2	S	SCREW- (10-24 x 1") (HBC-30)
16	88049	1	/P	SCREW (10-24 x 1/2")
17	A03887	1		GEAR HEAD
	A04151	1	S	GEAR HEAD ASSY. (HLT-28)
18	04168	1		WASHER- Flange
19	88049	3	/P	SCREW (10-24 x 1/2")
20	988461	1		DEFLECTOR- Grass
21	80869	2	/P	SCREW (10-24 x 3/8")
22	02949	1	S	BLADE- Cut off
23	81208	2	/P	NUT (10-24)
24	988472	1	/P	GUARD- Blade (HBC-30)
25	A98231A	1	S/P	HOUSING & EYELET
26	98848	1	S	SPRING- Compression
27	A97910A	1	S/P	RETAINER (L.H. Thread)
28	DA02598A	1		SPOOL & STRING (Dual Line)
29	9855141	1	/P	CONNECTOR- Drive
30	82586	1	/P	SCREW (HLT-28)
31	82368	5	S	SCREW- Plastite (#8 x 3/4") (HLT-28)
32	A00879	1	/P	HANDLE GRIP ASSY. (HLT-28)
33	98772A	1	S	TRIGGER (HLT-28)
34	A98525	1		FRONT HANDLE (HLT-28)
35	93992	1	/P	NUT- Wing (HLT-28)
36	80295	1	/P	SCREW (1/4-20 x 2") (HLT-28)

(CA) CARBURETOR  
 (F) CARBURATEUR  
 (NL) CARBURATEUR  
 (D) VERGASER  
 (I) CARBURATORE  
 (E) CARBURADOR  
 (P) CARBURADOR

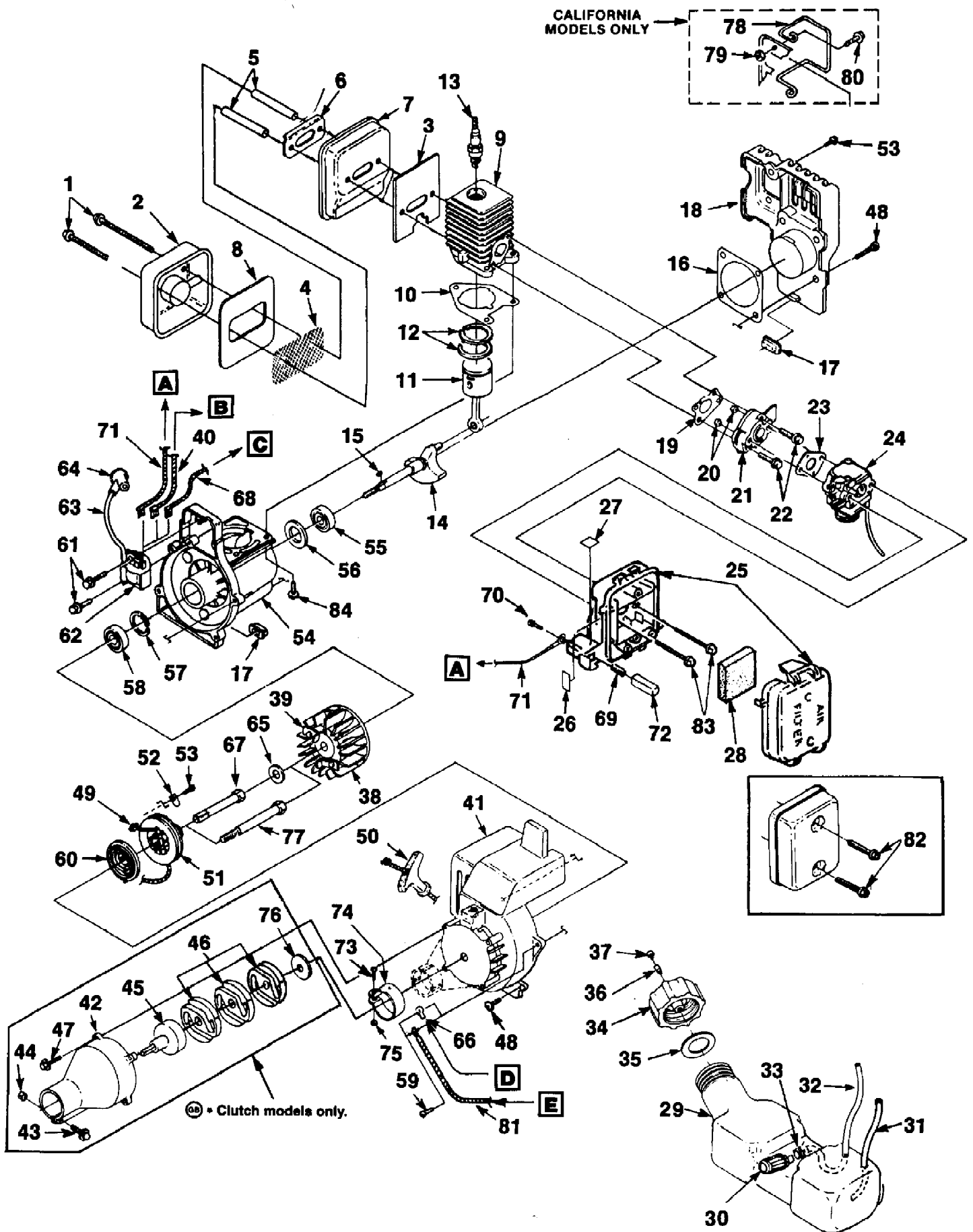
<b>ZAMA</b> .....	<b>A-03003</b>
(CA) Repair Kit .....	<b>A-00288-A</b>
(F) Jeu de réparation	
(NL) Reparatieset	
(D) Reparatursatz	
(I) Kit per riparazioni	
(E) Juego de reparación	
(P) Jogo de reparação	
(CA) Gasket/Diaphragm Kit .....	<b>A-01197-A</b>
(F) Jeu joint/diaphragme	
(NL) Pakking/membraan set	
(D) Dichtung/Membrane-Satz	
(I) Kit diaframma/guarnizione	
(E) Conjunto junta/diafragma	
(P) Jogo de juntas vedantes/diafragmas	
(CA) Primer Bulb .....	<b>A-01195-A</b>
(F) Bouton d'amorçage	
(NL) Voorinspuitpomp	
(D) Vorpumpe	
(I) Cicchetto	
(E) Bulbo cebador	
(P) Bolha da unidade de escorvagem	
(CA) Primer Base .....	<b>A-03062</b>
(F) Base d'amorçage	
(NL) Voorinspuit-sokkel	
(D) Vorpumpen-Sockel	
(I) Base del cicchetto	
(E) Base de cebador	
(P) Base da unidade de escorvagem	

<b>WALBRO</b> .....	<b>A-03002</b>
(CA) Repair Kit .....	<b>A-02885</b>
(F) Jeu de réparation	
(NL) Reparatieset	
(D) Reparatur-Satz	
(I) Kit di riparazione	
(E) Juego de reparación	
(P) Jogo de reparação	
(CA) Gasket/Diaphragm Kit .....	<b>A-00285-A</b>
(F) Jeu joint/diaphragme	
(NL) Pakking/membraan set	
(D) Dichtung/Membrane-Satz	
(I) Kit diaframma/guarnizione	
(E) Conjunto junta/diafragma	
(P) Jogo de juntas vedantes/diafragmas	
(CA) Swivel Kit .....	<b>A-00289</b>
(F) Jeu de pivots	
(NL) Zwenkset	
(D) Drehzapfen-Satz	
(I) Serie di ingranaggi girevoli	
(E) Juego de enganche giratorio	
(P) Jogo da rótula	
(CA) Primer Bulb .....	<b>A-01201</b>
(F) Bouton d'amorçage	
(NL) Voorinspuitpomp	
(D) Vorpumpe	
(I) Cicchetto	
(E) Bulbo cebador	
(P) Bolha da unidade de escorvagem	
(CA) Primer Base* .....	<b>A-01200-A</b>
(F) Base d'amorçage*	
(NL) Voorinspuit-sokkel*	
(D) Vorpumpen-Sockel*	
(I) Base del cicchetto*	
(E) Base de cebador*	
(P) Base da unidade de escorvagem*	

HLT28 String Trimmer UT-20595  
Carburetor

Page 6 of 10

Ref #	Part Number	Qty	S/P/F	Description
A-03003	A03003	1		ZAMA
A-00288-A	A00288A	1		Repair Kit
A-01197-A	A01197A	1		Gasket/Diaphragm Kit
A-01195-A	A01195A	1	S	Primer Bulb
A-03062	A03062	1		Primer Base
A-03002	A03002	1		WALBRO
A-02665	A02665	1		Repair Kit
A00285A	A00285A	1		Gasket/Diaphragm Kit
A-00289	A00289	1		Swivel Kit
A-01201	A01201	1		Primer Bulb
A-01200-A	A01200A	1		Primer Base



Ref #	Part Number	Qty	S/P/F	Description
1	88060	2	S/P	SCREW- Hex hd. (10-24 x 2 1/2")
2	A98780	1	S	MUFFLER- Cover
3	98786B	1		GASKET- Muffler
4	98784A	1		SCREEN- Spark
5	98860A	2	S	SPACER- Muffler
6	98783	1	/P	PLATE- Reinforcing
7	A01323	1	S	BODY- Muffler
8	98782	2	S	BAFFLE- Muffler
9	A03785	1		CYLINDER
10	03703A	1	S	GASKET
11	A03705	1		PISTON & ROD ASSY.
12	03179	2	/P	RING- Piston
13	96169S	1	S	SPARK PLUG (DJ7Y)
	79252	1	S	SPARK PLUG (Int.) (RDJ7-Y)
14	987585	1		CRANKSHAFT
15	69250	1	/P	KEY- Woodruff
16	98767A	1	/P	GASKET- Crankcase
17	98792	3	/P	BUMPER- Rubber
18	01023B	1	S	COVER- Crankcase
19	98765B	1	/P	GASKET- Heat dam
20	81208	2	/P	NUT- (10-24)
21	98768	1	S	HEAT- Dam
22	825491	2	S	SCREW- Thd. form (10-24 x 1")
23	98766A	1	S/P	GASKET- Carburetor
24	A03002	1		CARBURETOR (Walbro)
	A03003	1		CARBURETOR (Zama)
25	A01440A	1	S	AIR FILTER BOX & COVER
26	00772	1		DECAL- Choke/Run
27	98943	1		DECAL- Push/hold
28	D98760A	1		AIR FILTER
29	A01441	1		TANK- Fuel
30	49422	1	S	FILTER- Fuel
31	0143932	1	S/P	TUBING- Rubber (8")
32	9477232	1	S	TUBING- Rubber (8")
33	98268	1	S/P	CLAMP- Wire
34	A00982	1		FUEL- CAP ASSY.
35	98805A	1	/P	GASKET- Fuel cap
36	98913	1	S	FILTER
37	03134	1	S/P	VALVE- Filter
38	A950071	1	S	ROTOR & STARTER PAWL
39	A70285E	1	/P	STARTER PAWL KIT
40	A98918	1		LEAD- Electrical (HLT-17C & HBC-18)
41	A02575A	1		HOUSING- Engine (HLT-16 & HLT-18)
	A02576B	1		HOUSING- Engine (HLT-17C, HBC-18, HBC-30 & HBC-30B)
42	A02396	1		TUBE ADAPTOR KIT (HLT-17C, HBC-18, HBC-30 & HBC-30B)
43	88054	1	S	SCREW
44	81208	1	/P	NUT
45	A02727	1	S	CONNECTOR & DRUM (HLT-17C)
	A03485A	1	S	CONNECTOR & DRUM (HBC-18, HBC-30 & HBC-30B)



Ref #	Part Number	Qty	S/P/F	Description
46	00242	1	/P	CLUTCH (HLT-17C) (HBC-18, HBC-30 & HBC-30B)
47	88052	1	/P	SCREW (10-24 x 7/8") (HLT-17C, HBC-18, HBC-30 & HBC30B)
48	82538	1	/P	SCREW (10-24 x 3/4") (HLT-17C, HBC-18, HBC-30 & HBC-30B)
49	9789902	1	S/P	ROPE- Starter
50	02264	1	S	GRIP- Starter
51	98770	1		PULLEY- Starter
52	98791	1	/P	BRACKET- Retaining
53	82541	2	/P	SCREW- Plastite
54	A03784	1		CRANKCASE ASSY.
55	98797	1	/P	BEARING-Ball
56	98800	1	/P	SEAL
57	98799	1	/P	RING-Retaining
58	98798	1	S	BEARING- Ball
59	82538	1	/P	SCREW- Truss hd. (10-24 x 3/4")
60	A98773	1		SPRING & CONTAINER
61	82540	2	/P	SCREW- Taptite
62	94711CS	1	/P	MODULE- Ignition (Sems-Walbro)
63	69326	1		LEAD- High tension
64	A33055	1	/P	TERMINAL- High tension
	94711CS	1	/P	MODULE Ignition (Phelon)
	A69587A	1		LEAD- High tension
	A33055	1	/P	TERMINAL- High tension
	02008	1		MODULE- Ignition (Sawafugi)
	A69587A	1		LEAD- High tension
	A33055	1	/P	TERMINAL- High tension (HBC-18, HBC-30, HBC-30B)
65	84065	1	S	WASHER (HLT-16 & HLT-18)
66	00719	1	S	TERMINAL (HBC-30 & HBC-30B)
67	98795A	1	/P	DRIVE CONNECTOR (HLT-16 & HLT-18)
68	A00681	1		LEAD- Electrical (HBC-30 & HBC-30B)
69	95020	1	S	SPRING- Compression (HLT-16 & HLT-18)
70	93923	1	S	SCREW- Plastite (#6) (HLT-16 & HLT-18)
71	A98809	1	S	LEAD- Electrical (HLT-16 & HLT-18)
72	98769	1	/P	BUTTON- Switch (HLT-16 & HLT-18)
73	82268	1		SCREW-Hex sems (10-24 x 3/8") (HLT-16 & HLT-18)
74	98802A	1	S	CLAMP (HLT-16 & HLT-18)
75	97574	1		NUT- Square (HLT-16 & HLT-18)
76	98929A	1	S/P	WASHER- Flat (HLT-17C, HBC-18, HBC-30 & HBC-30B)
77	01547	1		ADAPTOR- Clutch (HLT-17C)
	03452	1		ADAPTOR- Clutch (HBC-18, HBC-30 & HBC-30B)
78	A00254	1	S	WIRE GUARD KIT (California Models Only)
79	98795	2		NUT (10-24)
80	88049	2	/P	SCREW (10-24 x 1/2")
81	A98919A	1	S	LEAD- Ground (HLT-17C & HBC-18)

HLT28 String Trimmer UT-20595  
Engine & Peripherals

Page 10 of 10

Ref #	Part Number	Qty	S/P/F	Description
82	82368	2	S	SCREW
83	82542	2	/P	SCREW (10-24 x 2 1/4")
84	82569	3	S	SCREW (10-24 x 3/4") (T-27)