

**EN ACCESSORIES**  
**F ACCESSOIRES**  
**NL TOEBEHOREN**  
**D ZUBEHÖR**  
**I ACCESSORI**  
**E ACCESORIOS**  
**P ACESSÓRIOS**

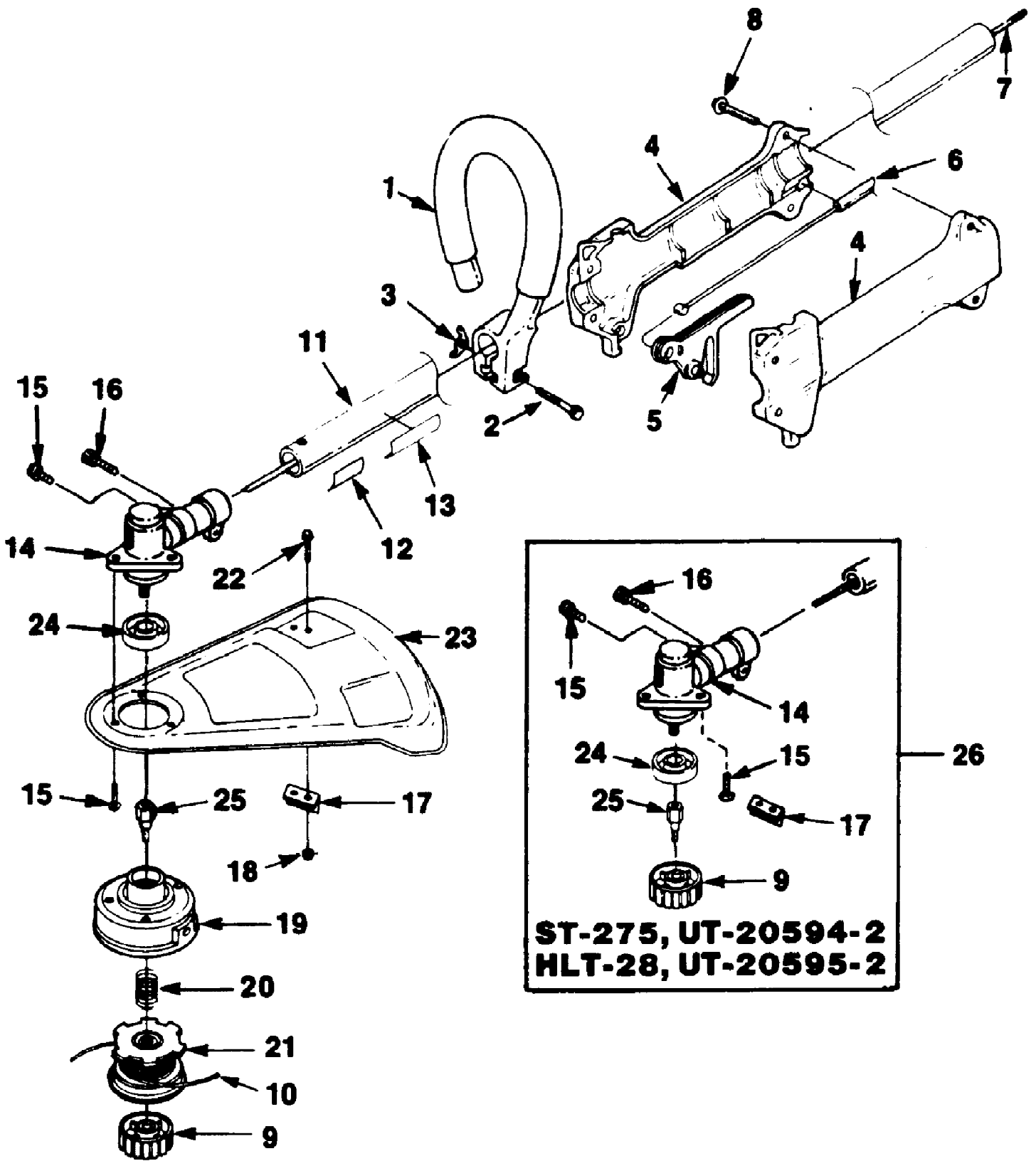
- |   |  |
|---|--|
| <b>EN</b> Saw Blade ..... D-98935-A   | <b>EN</b> Ignition Test Spark Plug ..... JA-31316-4                  |
| <b>F</b> Lame de scie   | <b>F</b> Testeur d'allumage  |
| <b>NL</b> Zaagblad  | <b>NL</b> Bougie voor ontstekingscontrole                            |
| <b>D</b> Sägeblatt  | <b>D</b> Testzündkerze für Zündprüfung                               |
| <b>I</b> Lama di sega   | <b>I</b> Candela di collaudo   |
| <b>E</b> Cuchilla de la sierra  | <b>E</b> Bujía para probar el encendido                              |
| <b>P</b> Lâmina de serra  | <b>P</b> Vela de ensaio da ignição                                   |
| <b>EN</b> Grease, Multi-Purpose ..... 18453                                   | <b>EN</b> Rubber Tubing (10 ft) (3,05 m) ..... 94772-99              |
| <b>F</b> Graisse universelle  | <b>F</b> Tubes en caoutchouc (3,05 m)                                |
| <b>NL</b> Universeel vet  | <b>NL</b> Rubber slang (3,05 m)                                      |
| <b>D</b> Mehrzweck-Schmiermittel  | <b>D</b> Gummirohr (3,05 m)  |
| <b>I</b> Grasso, multiuso   | <b>I</b> Dotto di gomma (3,05 m)                                     |
| <b>E</b> Grasa universal  | <b>E</b> Tubo de caucho (3,05 m)                                     |
| <b>P</b> Lubrificante, para fins múltiplos                                    | <b>P</b> Tubo de borracha (3,05 m)                                   |
| <b>EN</b> Machete Blade ..... DA-00714-A                                      | <b>EN</b> Starter Rope (250 ft Reel) (76 m) ..... 98052-A            |
| <b>F</b> Lame Machete   | <b>F</b> Cordon de lanceur (bobine de 76 m)                          |
| <b>NL</b> Macheteblad   | <b>NL</b> Startkoord (spoel met 76 m)                                |
| <b>D</b> Machete-Blatt  | <b>D</b> Starterseil (76 m Spule)                                    |
| <b>I</b> Lama Machete   | <b>I</b> Corda d'avviamento (bobina da 76 m)                         |
| <b>E</b> Cuchilla Machete   | <b>E</b> Cuerda de arranque (carrete de 76 m)                        |
| <b>P</b> Lâmina Machete   | <b>P</b> Cabo do arrancador (rolo de 75 m)                           |
| <b>EN</b> Thread Locking Compound ..... 23488-C                               | <b>EN</b> Replacement String (3 lb. box) (0.095 dia.) ..... 03959-04 |
| <b>F</b> Produit de blocage de filetage                                       | <b>F</b> Corde de rechange (boîte de 1,3 kg) (0,095 diam.)           |
| <b>NL</b> Borgmiddel voor schroefdraden                                       | <b>NL</b> Nieuwe draad (1,3 kg in een doos) (0,095 doorsnede)        |
| <b>D</b> Gewinde-Sicherungsmasse  | <b>D</b> Ersatz-Schneidfaden (Schachtel zu 1,3 kg) (0,095)           |
| <b>I</b> Composto di bloccaggio della filettatura                             | <b>I</b> Corda di ricambio (scatola di 1,3 kg) (0,095 di diam.)      |
| <b>E</b> Pasta selladora de roscas  | <b>E</b> Cuerda de repuesto (caja de 1,3 kg) (dia. 0,095)            |
| <b>P</b> Composto de retenção de roscas                                       | <b>P</b> Fio de substituição (caixa de 1,3 kg) (0,095 de diâmetro)   |
| <b>EN</b> Module Air Gap Shim ..... 24306                                     | <b>EN</b> Torx Bit (for clutch drum) T25 ..... 24982-03              |
| <b>F</b> Cale d'écartement modulaire  | <b>F</b> Foret torx (pour tambour d'embrayage)                       |
| <b>NL</b> Modulair vulstuk voor de luchtopening                               | <b>NL</b> Torx drijfbit (voor koppelingstrommel)                     |
| <b>D</b> Modul-Luftspalt-Beilagscheibe  | <b>D</b> Torx-Antriebsbit (für Kupplungstrommel)                     |
| <b>I</b> Spessore di distanza modulare  | <b>I</b> Punta Torx Drive (per il tamburo della frizione)            |
| <b>E</b> Placa de relleno de la separación del módulo                         | <b>E</b> Broca de empuje Torx (tambor del embrague)                  |
| <b>P</b> Chapa de separação do módulo   | <b>P</b> Broca Torx (para o tambor da embraiagem)                    |
| <b>EN</b> Grass Anti Wrap Kit ..... A-04191                                   | <b>EN</b> Torx Drive Bit T-27 ..... 18566-01                         |
| <b>F</b> Nécessaire anti-enroulement d'herbe                                  | <b>F</b> Foret torx  |
| <b>NL</b> Apparaatje om te voorkomen dat gras zich rond de aandrijfas wikkelt | <b>NL</b> Torx-drijfbit  |
| <b>D</b> Gräserückhalter  | <b>D</b> Torx-Antriebsbit  |
| <b>I</b> Kit antiavvolgimento d'erba  | <b>I</b> Punta Torx Drive  |
| <b>E</b> Dispositivo contra la acumulación de pasto                           | <b>E</b> Broca de empuje Torx  |
| <b>P</b> Dispositivo contra a acumulação de relva                             | <b>P</b> Broca accionadora Torx                                      |

\* ST-145, ST-155, ST-175, ST-175G, ST-175C, ST-175BC, HGT, GST, HLT-16, HLT-17C

HLT28 String Trimmer UT-20595-A  
Accessories

Page 2 of 10

Ref #	Part Number	Qty	S/P/F	Description
D-98935-A	D98935A	1		Saw Blade
18453	18453	1	/P	Grease, Multi-Purpose
DA-00714-A	DA00714A	1		Machete Blade
23488C	23488C	1		Thread Locking Compound
24306	24306	1	S	Module Air Gap Shim
A-04191	A04191	1		Grass Anti Wrap Kit ST-145, ST-155, ST-175, ST-175G, ST-175C, ST-175BC, HGT, GST, HLT-16, HLT-17C
JA313164	JA313164	1		Ignition Test Spark Plug
9477299	9477299	1	/P	Rubber Tubing (10 ft.) (3.05 m)
98052-A	98052A	1	/P	Starter Rope (250 ft. Reel) (76 m)
03959-04	0395904	1		Replacement String (3 lb. box) (0.095 dia.)
24982-03	2498203	1	S	Torx Bit (for clutch drum) T25
18566-01	1856601	1	/P	Torx Drive Bit T-27



**ST-275, UT-20594-2**  
**HLT-28, UT-20595-2**

HLT28 String Trimmer UT-20595-A  
Boom & Head

Page 4 of 10

Ref #	Part Number	Qty	S/P/F	Description
1	A98525	1		HANDLE- Front
2	80295	1	/P	SCREW (1/4-20 x 2")
3	93992	1	/P	NUT- Wing
4	A00879	1	/P	HANDLE GRIP ASSEMBLY
5	98772A	1	S	TRIGGER
6	A03006	1	/P	CABLE- Throttle
7	98818	1	/P	SHAFT- Flexible
8	82368	5	S	SCREW- Plastite (#8 x 3/4")
9	A97910A	1	S/P	RETAINER- Spool
10	DA97952B	1	S	LINE- Replacement (.080 Dia.) (100 Ft.) (ST-275)
	0395903	1	S	LINE- Replacement (.095" Dia.) (1 lb. Box) (HLT-28)
11	A00665	1		HOUSING- Drive shaft (ST-275- UT20594-1)
12	04154	1		DECAL- Warning
13	989231	1		DECAL- Starting Instructions
	A00734	1		HOUSING- Drive shaft (ST-275- UT20594-2)
	04154	1		DECAL- Warning
	989231	1		DECAL- Starting Instructions
	A00666	1	S	HOUSING- Drive shaft (HLT-28- UT20595-A)
	04154	1		DECAL- Warning
	989231	1		DECAL- Starting Instructions
	A00747	1		HOUSING- Drive shaft (HLT-28- UT20595-2)
	04154	1		DECAL- Warning
	989231	1		DECAL- Starting Instructions
14	A04151	1	S	GEAR HEAD
15	88048	4	S	SCREW- (10-24 x 3/8")
16	82586	1	/P	SCREW- (1/4-20 x 7/8")
17	02949	1	S	BLADE- Cut-off (HLT-28)
	00075	1	S	BLADE- Cut-off (ST-275)
18	81208	2	/P	NUT (10-24)
19	A98231A	1	S/P	HOUSING & EYELET (Dual Line)
20	98848	1	S	SPRING- Compression
21	DA98912C	1		SPOOL & STRING (Dual Line) (ST-275)
	DA02598A	1		SPOOL & STRING ( Dual Line) (HLT-18)
22	80869	2	/P	SCREW (10-24 x 3/8")
23	988461	1		DEFLECTOR- Grass
24	04168	1		WASHER- Flange (ST-275- UT20594-1, HLT-28 UT20595-A)
25	9855141	1	/P	ADAPTOR- Shaft (ST-275- UT20594-1) (HLT-28- UT20595-A)
26	A04316	1	S	GEAR BOX KIT (ST-275- UT20594-2, HLT-28- UT-20595-2)

**CA CARBURETOR**  
**F CARBURATEUR**  
**ML CARBURATEUR**  
**D VERGASER**  
**I CARBURATORE**  
**E CARBURADOR**  
**P CARBURADOR**

- CA ZAMA ..... A-03003**
- CA Repair Kit ..... A-03979**
- F Jeu de réparation**
- ML Reparatieset**
- D Reparatursatz**
- I Kit per riparazioni**
- E Juego de reparación**
- P Jogo de reparação**

- CA Gasket/Diaphragm Kit ..... A-03980**
- F Jeu joint/diaphragme**
- ML Pakking/membraan set**
- D Dichtung/Membrane-Satz**
- I Kit diaframma/guarnizione**
- E Conjunto junta/diafragma**
- P Jogo de juntas vedantes/diafragmas**

- CA Primer Bulb ..... A-01195-A**
- F Bouton d'amorçage**
- ML Voorinspuitpomp**
- D Vorpumpe**
- I Cicchetto**
- E Bulbo cebador**
- P Bolha da unidade de escorvagem**

- CA Primer Base\* (Aluminum) ..... A-01194**
- CA Primer Base\* (Plastic) ..... A-03062**
- F Base d'amorçage\* (aluminium)**
- F Base d'amorçage\* (plastique)**
- ML Voorinspuit-sokkel\* (aluminium)**
- ML Voorinspuit-sokkel\* (plastic)**
- D Vorpumpen-Sockel\* (Aluminium)**
- D Vorpumpen-Sockel\* (Plastik)**
- I Base del cicchetto\* (alluminio)**
- I Base del cicchetto\* (plastica)**
- E Base de cebador\* (aluminio)**
- E Base de cebador\* (plástico)**
- P Base da unidade de escorvagem\* (Alumínio)**
- P Base da unidade de escorvagem\* (Plástico)**

- CA \*Primer Base kits are not interchangeable.**
- F \*Les jeux de base d'amorçage ne sont pas interchangeables.**
- ML \*Sokkel-sets voor voorinspuiten zijn niet verwisselbaar.**
- D \*Sockelsätze für die Vorpumpe sind nicht austauschbar.**
- I \*I kit della base del cicchetto non sono intercambiabili.**
- E \*Los juegos de base de cebador no son intercambiables.**
- P \*Os jogos de base da unidade de escorvagem não são intercambiáveis.**

- CA Swivel Kit ..... A-00289**
- F Jeu de pivots**
- ML Zwenkset**
- D Drehzapfen-Satz**
- I Serie di ingranaggi girevoli**
- E Juego de enganche giratorio**
- P Jogo da rótula**

- CA WALBRO ..... A-03002**
- CA Repair Kit ..... A-02665**
- F Jeu de réparation**
- ML Reparatieset**
- D Reparatur-Satz**
- I Kit di riparazione**
- E Juego de reparación**
- P Jogo de reparação**

- CA Gasket/Diaphragm Kit ..... A-00285-A**
- F Jeu joint/diaphragme**
- ML Pakking/membraan set**
- D Dichtung/Membrane-Satz**
- I Kit diaframma/guarnizione**
- E Conjunto junta/diafragma**
- P Jogo de juntas vedantes/diafragmas**

- CA Swivel Kit ..... A-00289**
- F Jeu de pivots**
- ML Zwenkset**
- D Drehzapfen-Satz**
- I Serie di ingranaggi girevoli**
- E Juego de enganche giratorio**
- P Jogo da rótula**

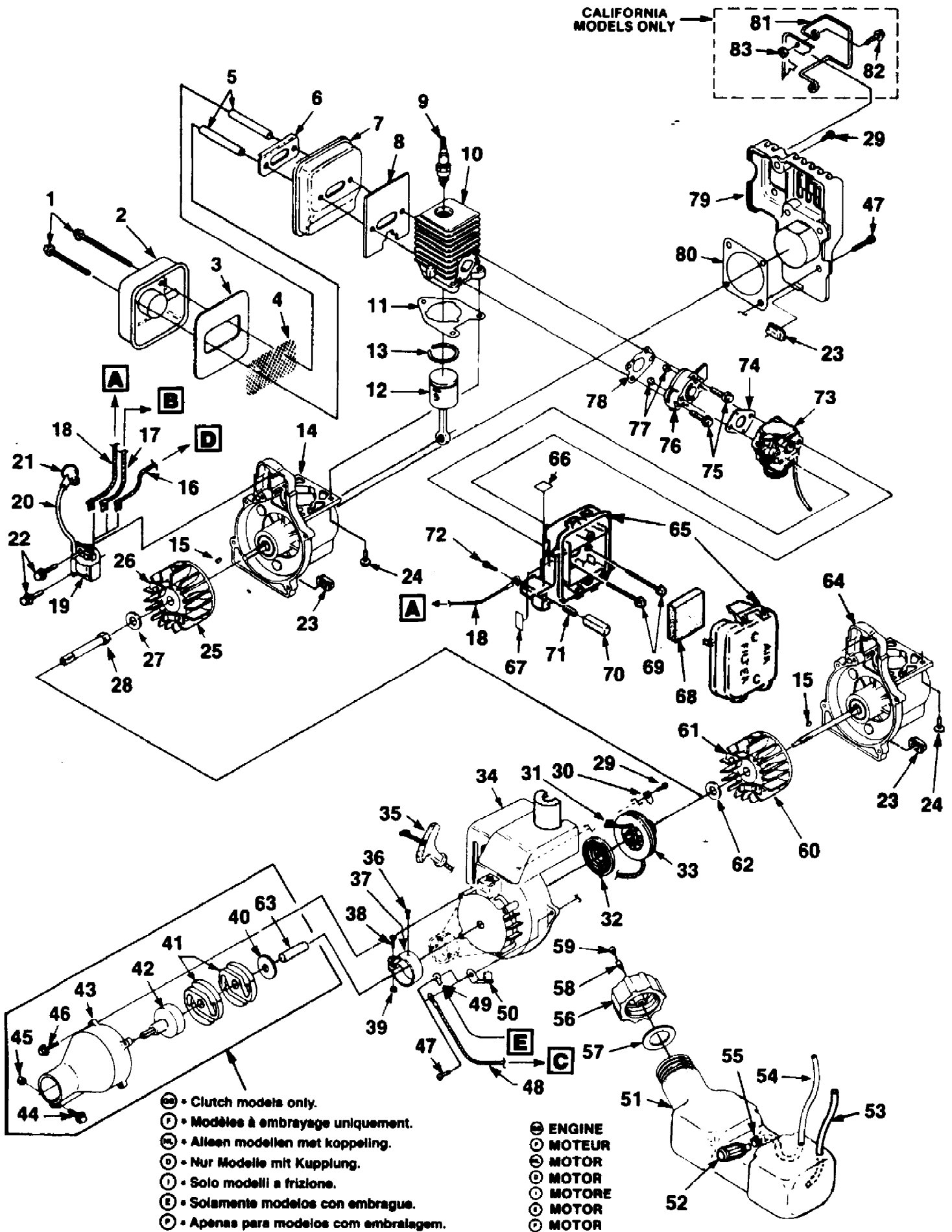
- CA Primer Bulb ..... 01201**
- F Bouton d'amorçage**
- ML Voorinspuitpomp**
- D Vorpumpe**
- I Cicchetto**
- E Bulbo cebador**
- P Bolha da unidade de escorvagem**

- CA Primer Base\* ..... A-01200-A**
- F Base d'amorçage\***
- ML Voorinspuit-sokkel\***
- D Vorpumpen-Sockel\***
- I Base del cicchetto\***
- E Base de cebador\***
- P Base da unidade de escorvagem\***

HLT28 String Trimmer UT-20595-A  
Carburetor

Page 6 of 10

Ref #	Part Number	Qty	S/P/F	Description
A-03003	A03003	1		ZAMA
A-03979	A03979	1		Repair Kit
A-03980	A03980	1		Gasket/Diaphragm Kit
A-01195-A	A01195A	1	S	Primer Bulb
A-01194	A01194	1		Primer Base (Aluminum) Primer Base kits are not interchangeable.
A-03062	A03062	1		Primer Base (Plastic) Primer Base kits are not interchangeable.
A-00289	A00289	1		Swivel Kit
A-03002	A03002	1		WALBRO
A-02665	A02665	1		Repair Kit
A00285A	A00285A	1		Gasket/Diaphragm Kit
A-00289	A00289	1		Swivel Kit
01201	01201	1	S	Primer Bulb
A-01200-A	A01200A	1		Primer Base Primer Base kits are not interchangeable.



Ref #	Part Number	Qty	S/P/F	Description
1	88060	2	S/P	SCREW- (10-24 x 2 1/2")
2	A98780	1	S	COVER- Muffler
3	98782	1	S	BAFFLE- Muffler
4	98784A	1		SCREEN- Spark
5	98860A	2	S	SPACER- Muffler
6	98783	1	/P	PLATE- Reinforcing
7	A01323	1	S	BODY- Muffler
8	98786B	1		GASKET- Muffler
9	96169S	1	S	SPARK PLUG (DJ7Y)
	79252	1	S	SPARK PLUG (RDJ7Y) (Int'l)
10	A00108	1		CYLINDER & GASKET (ST-145,ST-155,ST-175BCST-175C,ST-175G,
11	03703A	1	S	GASKET- Cylinder
	A03785A	1	S	CYLINDER & GASKET (HLT-16,HLT-17C,HLT-28,HBC-18,HBC-30,HE
	03703A	1	S	GASKET- Cylinder
12	A04258	1	S	PISTON & ROD ASSEMBLY (ST-145,ST-155,ST-175BC,ST-175C,ST-175G
13	96935	1	S	RING- Piston
	A03705	1		PISTON & ROD ASSEMBLY (HLT-16,HLT-17C,HLT-28,HBC-18,HBC-30,HE
	03179	2	/P	RING- Piston
14	A00517	1		CRANKCASE (ST-145, ST-155, ST-175G, ST-275, GST, HGT)
	A00574	1		CRANKCASE (HLT-16, HLT-28)
15	69250	1	/P	KEY- Woodruff
16	A00681	1		LEAD- Electrical (ST-385BC, HBC-30, HBC-30B)
17	A98918	1		LEAD- Electrical (ST-175BC,ST-175C,ST-185BC,ST-285BC,HL
18	A98809	1	S	LEAD- Electrical (ST-145,ST-155,ST-175G,ST-275,GST,HGT,H
19	94711CS	1	/P	MODULE- Ignition
20	69326	1		LEAD- High-Tension
21	A33055	1	/P	TERMINAL- High-Tension
22	82540	2	/P	SCREW- Taptite (8-32 x 1")
23	98792	3	/P	BUMPER- Rubber
24	82569	3	S	SCREW- (10-24 x 3/4") (T-27)
25	A04158	1	S	ROTOR (ST-145, ST-155, ST-175G, ST-275, HGT, GST, HLT-16, HLT-28)
26	A70285E	1	/P	KIT- Starter pawl
27	84065	1	S	WASHER- Flat (5/16") (ST-145,ST-155,ST-175GST-275,GST,HGT,HI
28	98795A	1	/P	CONNECTOR- Drive (ST-145, ST-155, ST-175G, ST-275, HLT-16, HLT-28)
29	82541	4	/P	SCREW- Plastite (10 x 1/2")
30	98791	1	/P	BRACKET- Retaining
31	9789902	1	S/P	ROPE- Starter (42")



Ref #	Part Number	Qty	S/P/F	Description
32	A98773	1		SPRING & CONTAINER
33	98770	1		PULLEY- Starter
34	A02576B	1		HOUSING Engine (ST-175BC,ST-175C,ST-185BC,ST-285BC,ST
	A02575B	1	S	HOUSING- Engine (ST-145, ST-155, ST-175G, ST-275, HLT-16, HLT-28)
35	02264	1	S	GRIP- Starter
36	82522	1		SCREW- Pan hd. (#10 x 3/8")
37	98802A	1	S	CLAMP
38	82268	1		SCREW- Hex sems (10-24 x 3/8")
39	97574	1		NUT- Square
40	98929A	1	S/P	WASHER- Clutch (ST-175BC,ST-175C,ST-185BC,ST-285BC,GS
41	00242	1	/P	CLUTCH (ST-175BC, ST-175C,ST-185BC,ST-285BC,ST-385BC,GS
42	A02727	1	S	CONNECTOR & DRUM (ST-175BC,ST-175C,ST-185BC,ST-285BC,ST
	A03485A	1	S	CONNECTOR & DRUM (HLT-17C-UT2059-A, HBC-18, HBC-30, HBC-30B)
43	A02396A	1	/P	TUBE ADAPTOR (ST-175BC,ST-175C,ST-185BC,ST-285BC,ST
44	88054	1	S	SCREW (10-24 x 1 1/4")
45	81208	1	/P	NUT (10-24)
46	88052	1	/P	SCREW (10-24 x 7/8")
47	82538	1	/P	SCREW- Taptite (10-24 x 3/4")
48	A98919A	1	S	LEAD- Ground
49	02851	1	/P	TERMINAL
50	A98808	1		BRACKET- Cable
51	A01441	1		TANK- Fuel
52	49422	1	S	FILTER- Fuel
53	0143932	1	S/P	TUBING- Rubber (8")
54	9477232	1	S	TUBING- Rubber (8")
55	98268	1	S/P	CLAMP- Wire
56	A00982A	1		FUEL CAP ASSEMBLY
57	98805A	1	/P	GASKET- Fuel cap
58	03134	1	S/P	VALVE- Duck bill
59	98913	1	S	FILTER- Cap
60	A00856	1	S	ROTOR (ST-175BC,ST-175C,ST-185BC,ST-285BC,ST
61	A70285E	1	/P	STARTER PAWL
62	95479A	1	/P	WASHER
63	035662	1	S	SPACER
	A00857	1	S	ROTOR (HLT-17C-UT-20596-A, HLT-16, HLT-28, HBC-18, HBC-30, HBC-30B)
	A70285E	1	/P	STARTER PAWL
	95479A	1	/P	WASHER
	035661	1	S	SPACER

Ref #	Part Number	Qty	S/P/F	Description
64	A00575	1		CRANKCASE (ST-175BC, ST-175C, ST-185BC, ST-285BC, ST-385BC, GST-BC)
	A00551	1		CRANKCASE (HLT-17C, HBC-18, HBC-30, HBC-30B)
65	A01440A	1	S	AIR FILTER BOX
66	98943	1		DECAL- Push-Hold
67	00772	1		DECAL- Choke-Run
68	D98760A	1		FILTER- Air
69	82542	1	/P	SCREW- (10-24 x 2 1/4")
70	98769	1	/P	BUTTON- Switch
71	95020	1	S	SPRING- Compression
72	93923	1	S	SCREW- Plastite (#6)
73	A03003	1		CARBURETOR (Walbro)
	A03002	1		CARBURETOR (Zama)
74	98766A	1	S/P	GASKET- Carburetor
75	825491	1	S	SCREW- Taptite (10-24 x 1")
76	98768	1	S	HEAT DAM
77	81208	1	/P	NUT (10-24)
78	98765B	1	/P	GASKET- Heat dam
79	A00858	1	/P	CRANKCASE COVER
80	98767A	1	/P	GASKET- Crankcase cover
81	A00254	1	S	WIRE GUARD KIT
82	88049	1	/P	SCREW- Hex sems (10-24 x 1/2")
83	81208	1	/P	NUT (10-24)