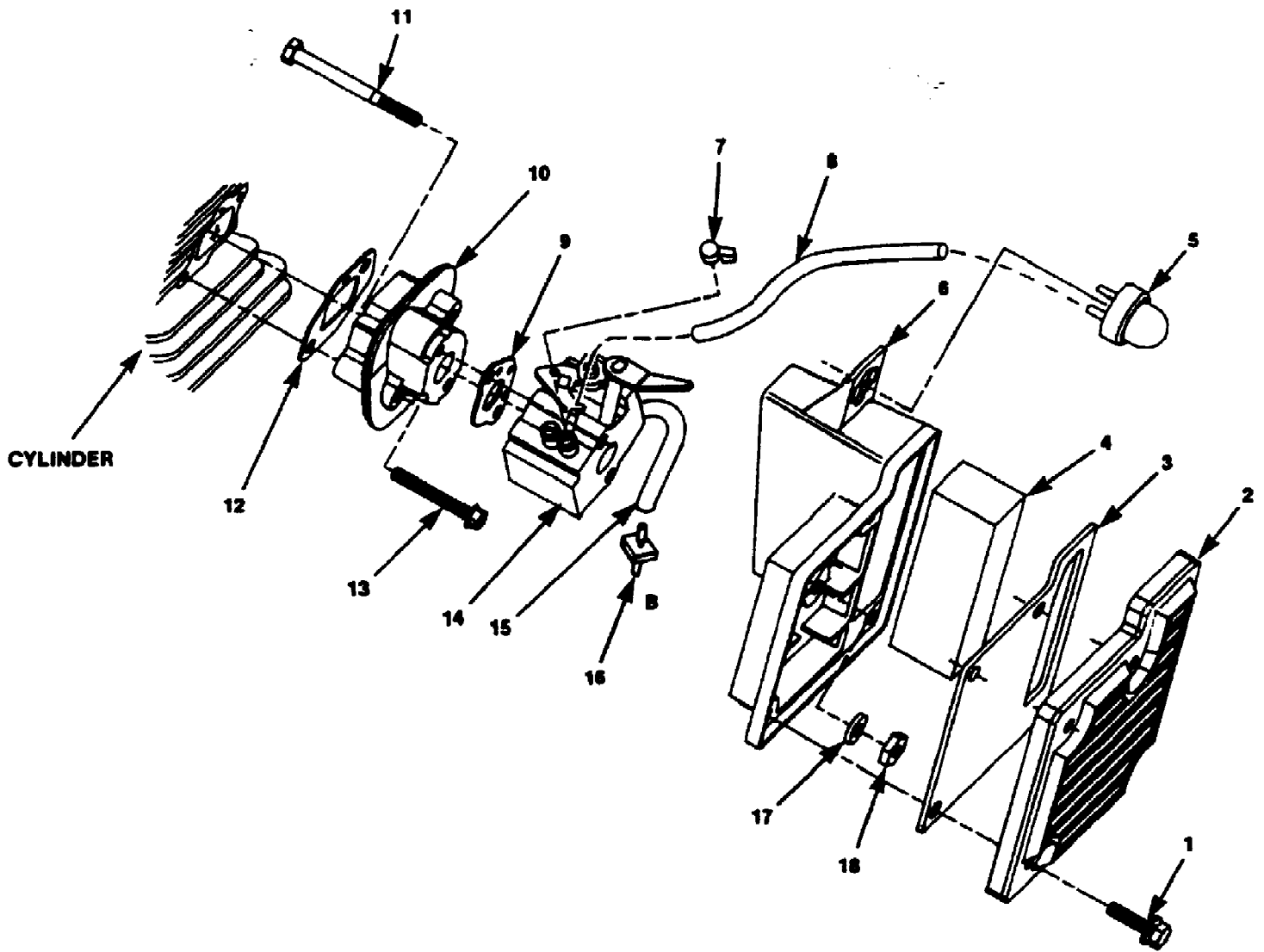


HBC40 String Trimmer UT-15069
Air Filter & Carburetor



HBC40 String Trimmer UT-15069
Air Filter & Carburetor

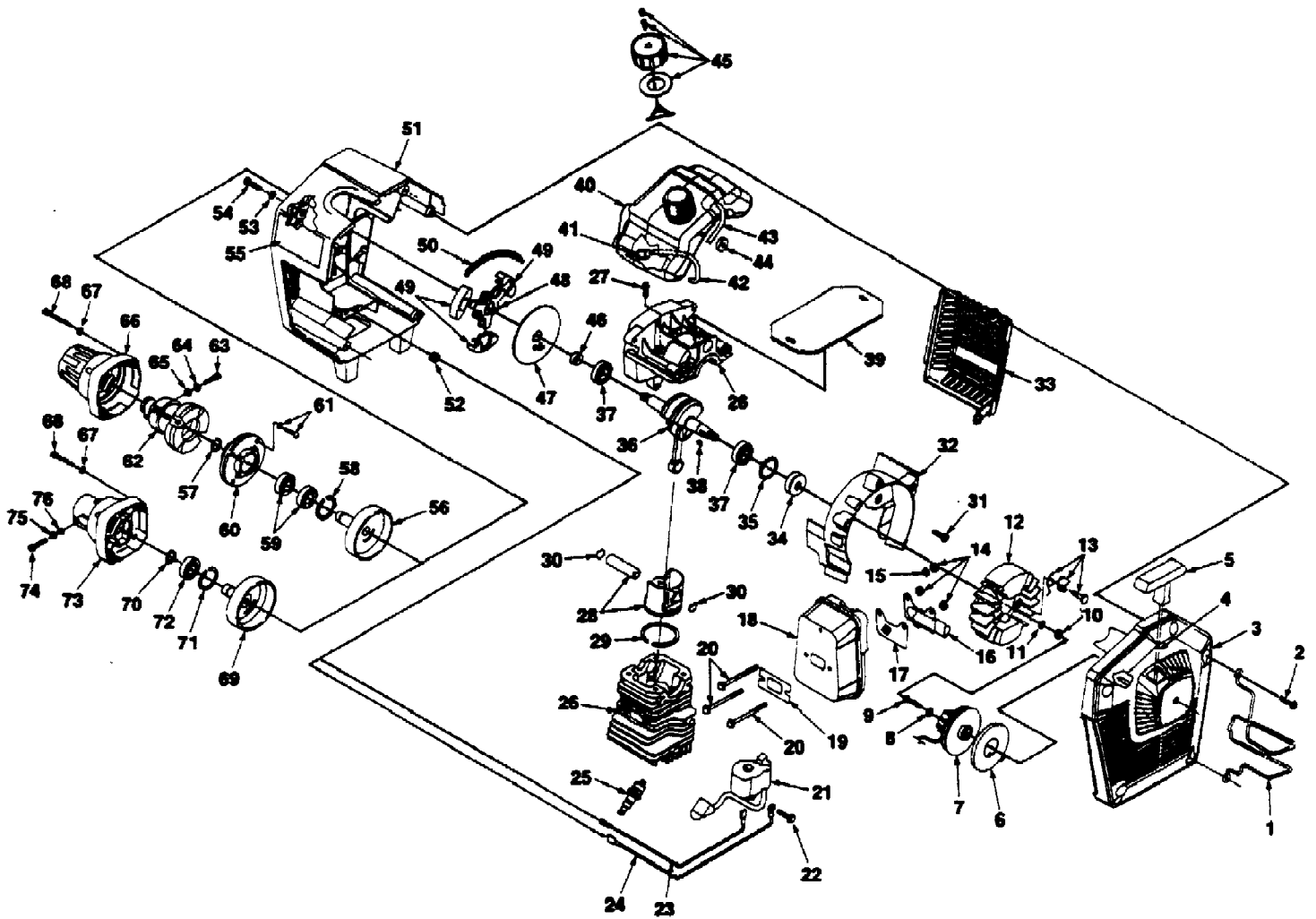
Page 2 of 11

Ref #	Part Number	Qty	S/P/F	Description
1	88079	4		SCREW- Sems hex hd (1/4-20 x 7/8")
2	02065	1		COVER- Air filter
3	02940	1		FILTER- Felt air
4	02939	1		FILTER- Foam air
5	01183	1	/P	BULB- Primer
6	A03313	1	/P	AIR FILTER BOX
7	03492	1		CAP- Limit (HBC-40)
	03493	1		CAP- Limit (HBC-38)
8	0143920	1	/P	TUBING- Rubber (5")
9	65016	1	/P	GASKET
10	02074	1		SPACER- Carburetor
11	02075	2		BOLT- Carburetor mtg. (8-32 x 2")
12	01029	1	S	GASKET- Carburetor spacer
13	88045	2		SCREW- Carb. spacer (8-32 x 1 1/4")
14	A03893	1		CARBURETOR (Zama) (HBC-40)
	A03894	1		CARBURETOR (Walbro) (HBC-38)
15	9477220	1	S	TUBING- Rubber
16	02067	1	/P	FITTING- Fuel inline
17	841031	2		WASHER- Flat
18	81009	2	/P	NUT

HBC40 String Trimmer UT-15069
Boom & Head

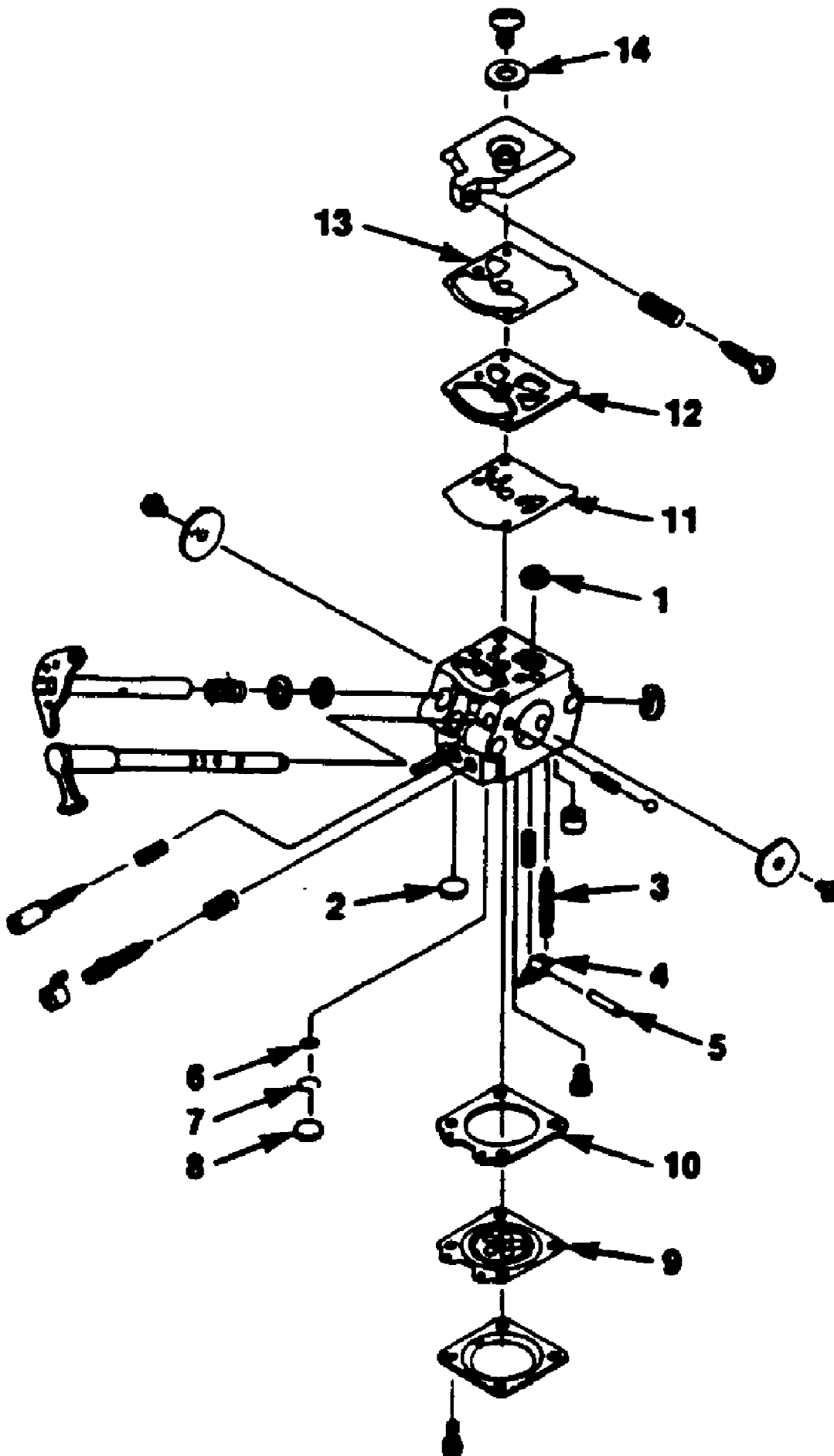
Page 4 of 11

Ref #	Part Number	Qty	S/P/F	Description
1	03017	1		DRIVE SHAFT
2	JA991636	1	/P	TIE- Cable
3	02077	1		CABLE- Throttle
4	03018	1		GRIP/HIP PAD
6	02093	1		BAND- Hanger
7	04025	1		BOLT & WASHER- Hanger
8	04027	1		NUT-Hanger
9	02092	1		HARNESS- Shoulder
10	A04052	1	/P	HOUSING- Drive shaft
11	02985	1	S	DECAL- Warning
14	A02115	1	/P	GEAR HEAD
15	04112	1		SCREW&WASHER-Grease
16	04185	1		WASHER- Gear Head
17	031641	1	S	BLADE- Tri-Arc
18	04186	1	S	WASHER- Gear Head (flat)
19	03997	1	S	NUT- Gear Head
20	04139	1		CONNECTOR- Drive
21	A04165	1		HOUSING & EYELETS
22	04141	2	/P	EYELETS
23	9807101	1		STRING- Replacement (.105 Dia., 1 lb. box)
	9807104	1	S	STRING- Replacement (.105 Dia., 3 lb. box)
24	A04166	1		SPOOL & STRING
25	04143	1		SPRING
26	04144	1		NUT- Retainer
27	A03928	1	S	MACHETE BLADE KIT
28	24548	2		SPACER
36	021221	1		GUARD- Blade
37	88182	3		SCREW-Mach. (M5 x 10)
38	A04050	1		GUARD-Stand
39	88180	2	/P	SCREW- Socket (M6 x 1)
40	88313	4		WASHER- Lock (M6)
41	88405	2		WASHER- Flat (M6)
42	88181	2		SCREW- Socket hd. (M6 x 12)
49	A03926	1		SLEEVING
55	A03268	1	S	HANDLE BAR- Left
56	A03947	1		HOUSNG ASSEMBLY
57	03943	1	/P	TUBING SCREW (M5 x 30)
58	03944	4	/P	HANDLE SCREW (M5 x 40)
59	A03945	1	/P	JOINT- Rubber
60	A03946	1		CAST JOINT ASSEMBLY
61	03942	4	/P	JOINT SCREW (M5 x 25)
62	A03168	1	S	HANDLE BAR & THROTTLE (R.H.)

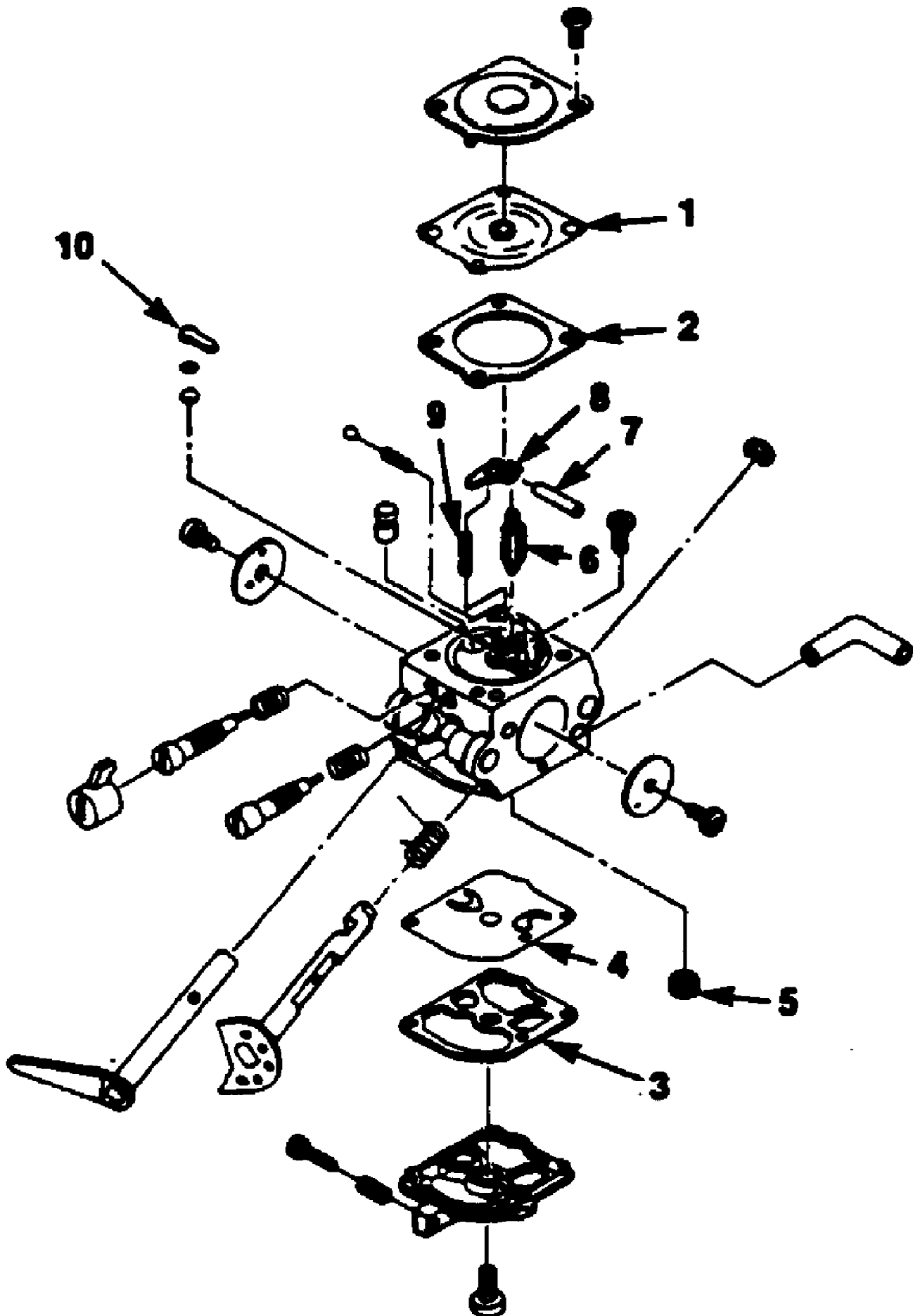


Ref #	Part Number	Qty	S/P/F	Description
1	03654	1		GUARD- Wire
2	82537	5	/P	SCREW- Truss hd (10-24 x 7/8")
3	A04044	1	S	HOUSING- Starter
4	9789902	1	S/P	ROPE- Starter
5	02264	1	S	GRIP- Starter
6	A97908	1	/P	SPRING & CONTAINER
7	02103	1		PULLEY- Starter
8	94062	1	/P	WASHER (#10)
9	82409	1	/P	SCREW (#10)
10	81257	1	/P	NUT-Rotor (3/8-24)
11	83102	1	/P	WASHER- Lock (3/8")
12	A02098	1	/P	ROTOR ASSEMBLY
13	A03801	1		STARTER PAWL KIT
14	81206	3	S/P	NUT- (10-32)
15	84003	1	/P	WASHER (#10)
16	015711	1		COVER- Exhaust
17	01532	1		SCREEN- Spark arrestor
18	A02083	1	/P	MUFFLER
19	01543A	1		GASKET- Muffler
20	02176	3		SCREW- (10-32 x 2 1/2")
21	02095S	1	S	MODULE- Ignition (Phelon)
22	88052	2	/P	SCREW (10-24)
23	A02708	1	/P	WIRE- Ignition
24	A02707	1	/P	WIRE- Ignition ground
25	93561S	1	S	SPARK PLUG (CJ6Y)
	98217S	1	/P	SPARK PLUG (RCJ6Y) (Int'l Only)
26	A03783	1		CYLINDER & CRANKCASE
27	80891	4	/P	SCREW- Hex hd. (12-24 x 7/8")
28	A02579A	1		PISTON
29	01545	1		RING- Piston
30	64813	2	/P	RING- Piston pin ret.
31	82538	2	/P	SCREW-Truss hd. (10-24 x 3/4")
32	02064	1		SCROLL- Fan
33	02052	1		SHIELD- Muffler
34	98197	1	S	SEAL- Shaft
35	289221	1	/P	RING- Retaining
36	A03802	1		CRANKSHAFT
37	98797	2	/P	BEARING- Ball
38	75078	1		KEY- Woodruff
39	03977	1		PAD
40	A03559	1	/P	TANK- Fuel
41	49422	1	S	FILTER- Fuel
42	9477232	1	S	TUBING- Rubber (8")
43	0143937	1		TUBING- Rubber (9 1/4")
44	02080	3		SPACER- Fuel tank
45	A00982A	1		FUEL CAP ASSEMBLY FILTER VALVE- Duck bill GASKET- Fuel cap
46	93858	1	S	SEAL-Crankshaft
47	03419	1		PLUG- Crankcase
48	A02030	1	S	CLUTCH- Spider
49	98292	3	/P	SHOE- Clutch
50	98453	1	S	SPRING- Clutch
51	A04045	1	S	SHROUD

Ref #	Part Number	Qty	S/P/F	Description
52	64862	1	/P	GROMMET
53	84008	3	S/P	WASHER (#12)
54	82572	3	/P	SCREW (12-24 x 3/4")
55	02657	1		DECAL-Conformity (Int'l Only)
56	A04046	1	/P	DRUM- Clutch (HBC-40)
57		1		RING- Snap (HBC-40)
58	03948	1	/P	RING-Snap (HBC-40)
59	03949	2		BEARING- Ball (HBC-40)
60	A03952	1		COVER- Clutch (HBC 40)
61	03951	4		SCREW- (M5 x 22) (HBC-40)
62	A03953	1		INSERT RING ASSEMBLY (HBC-40)
63	88180	1	/P	SCREW- Socket (M5 x 25) (HBC-40)
64	88313	1		WASHER- Spring (HBC-40)
65	88405	1		WASHER- Plain (HBC-40)
66	03954	1		CLUTCH CASE (HBC-40)
67	84008	4	S/P	WASHER
68	82573	4		SCREW (12-24 x 1 1/2")
69	A04047	1		DRUM- Clutch (HBC-38)
70		1		RING- Snap (HBC-38)
71	04029	1		RING- Snap (HBC-38)
72	04030	1		BEARING- Ball (HBC-38)
73	A04048	1	/P	CASE- Clutch (HBC-38)
74	04033	1		SCREW (HBC-38)
75	04035	1		WASHER- Plain (HBC-38)
76	04034	1		WASHER- Spring (HBC-38)



Ref #	Part Number	Qty	S/P/F	Description
1	A04042	1	/P	NLA(NO LONGER AVAILABLE) 0
2	A04042	1	/P	NLA(NO LONGER AVAILABLE) 0
3	A04042	1	/P	NLA(NO LONGER AVAILABLE) 0
4	A04042	1	/P	NLA(NO LONGER AVAILABLE) 0
5	A04042	1	/P	NLA(NO LONGER AVAILABLE) 0
6	A04042	1	/P	NLA(NO LONGER AVAILABLE) 0
7	A04042	1	/P	NLA(NO LONGER AVAILABLE) 0
8	A04042	1	/P	NLA(NO LONGER AVAILABLE) 0
9	A04042	1	/P	NLA(NO LONGER AVAILABLE) 0
	A04041	1		MUST USE SUPERSESSION WHEN ORDERING 0
10	A04042	1	/P	NLA(NO LONGER AVAILABLE) 0
	A04041	1		MUST USE SUPERSESSION WHEN ORDERING 0
11	A04042	1	/P	NLA(NO LONGER AVAILABLE) 0
	A04041	1		MUST USE SUPERSESSION WHEN ORDERING 0
12	A04042	1	/P	NLA(NO LONGER AVAILABLE) 0
	A04041	1		MUST USE SUPERSESSION WHEN ORDERING 0
13	A04042	1	/P	NLA(NO LONGER AVAILABLE) 0
	A04041	1		MUST USE SUPERSESSION WHEN ORDERING 0
14	A04042	1	/P	NLA(NO LONGER AVAILABLE) 0
	A04041	1		MUST USE SUPERSESSION WHEN ORDERING 0



Ref #	Part Number	Qty	S/P/F	Description
1	03172	1		Part of Repair Kit (includes 1-10)
	03171	1		Part of Gasket/Diaphragm Kit (includes 1-4)
2	03172	1		Part of Repair Kit (includes 1-10)
	03171	1		Part of Gasket/Diaphragm Kit (includes 1-4)
3	03172	1		Part of Repair Kit (includes 1-10)
	03171	1		Part of Gasket/Diaphragm Kit (includes 1-4)
4	03172	1		Part of Repair Kit (includes 1-10)
	03171	1		Part of Gasket/Diaphragm Kit (includes 1-4)
5	03172	1		Part of Repair Kit (includes 1-10)
6	03172	1		Part of Repair Kit (includes 1-10)
7	03172	1		Part of Repair Kit (includes 1-10)
8	03172	1		Part of Repair Kit (includes 1-10)
9	03172	1		Part of Repair Kit (includes 1-10)
10	03172	1		Part of Repair Kit (includes 1-10)