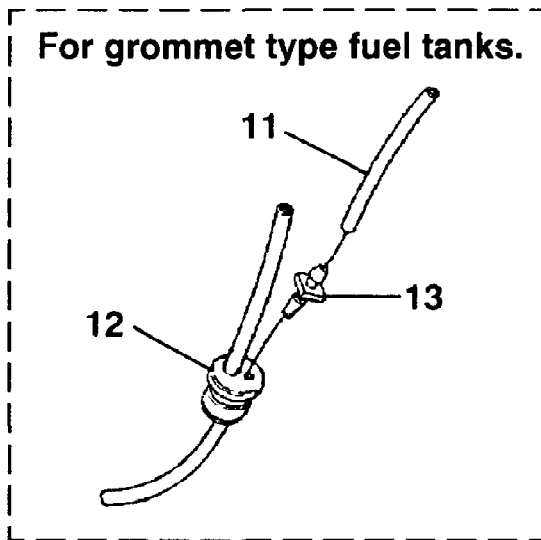
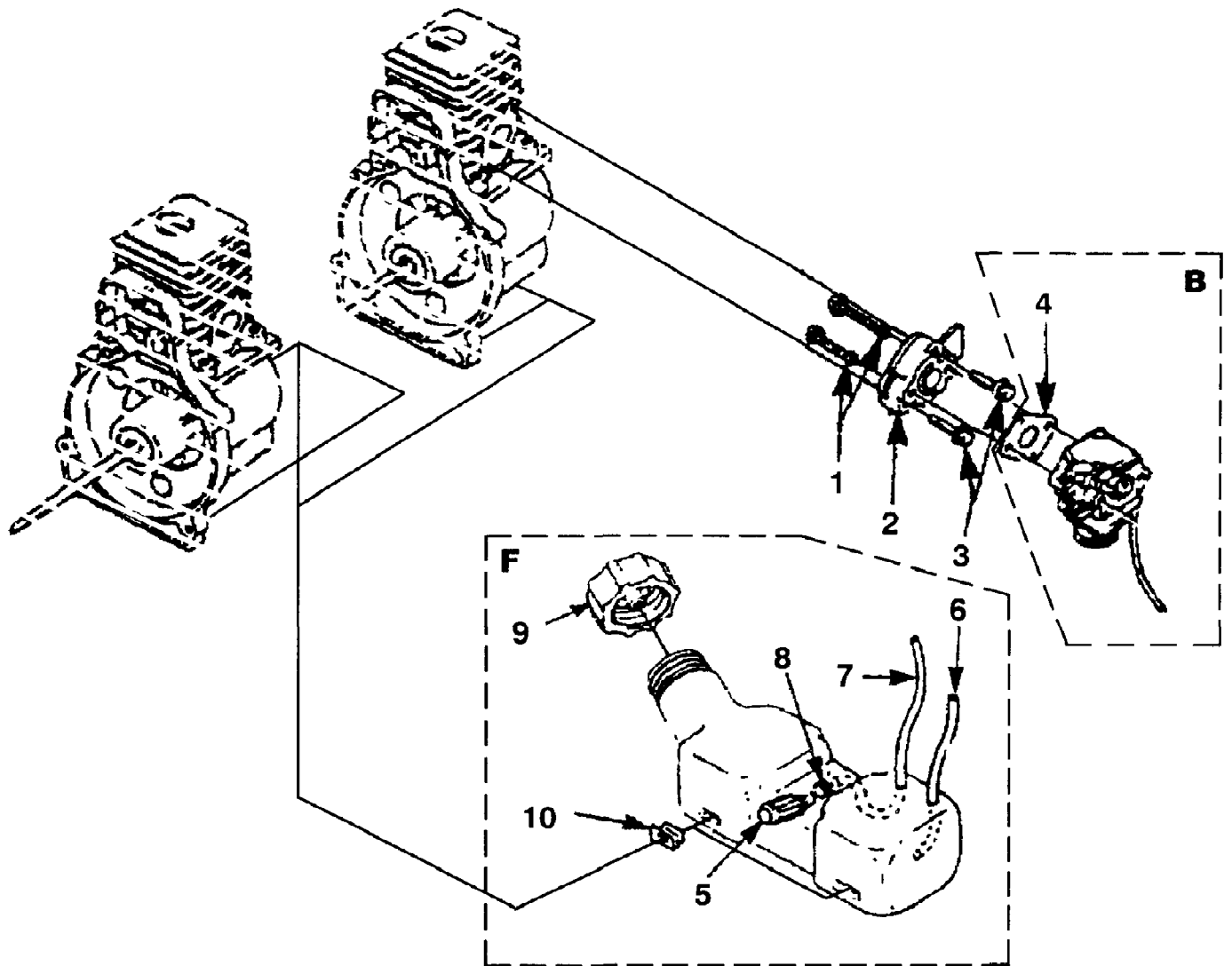
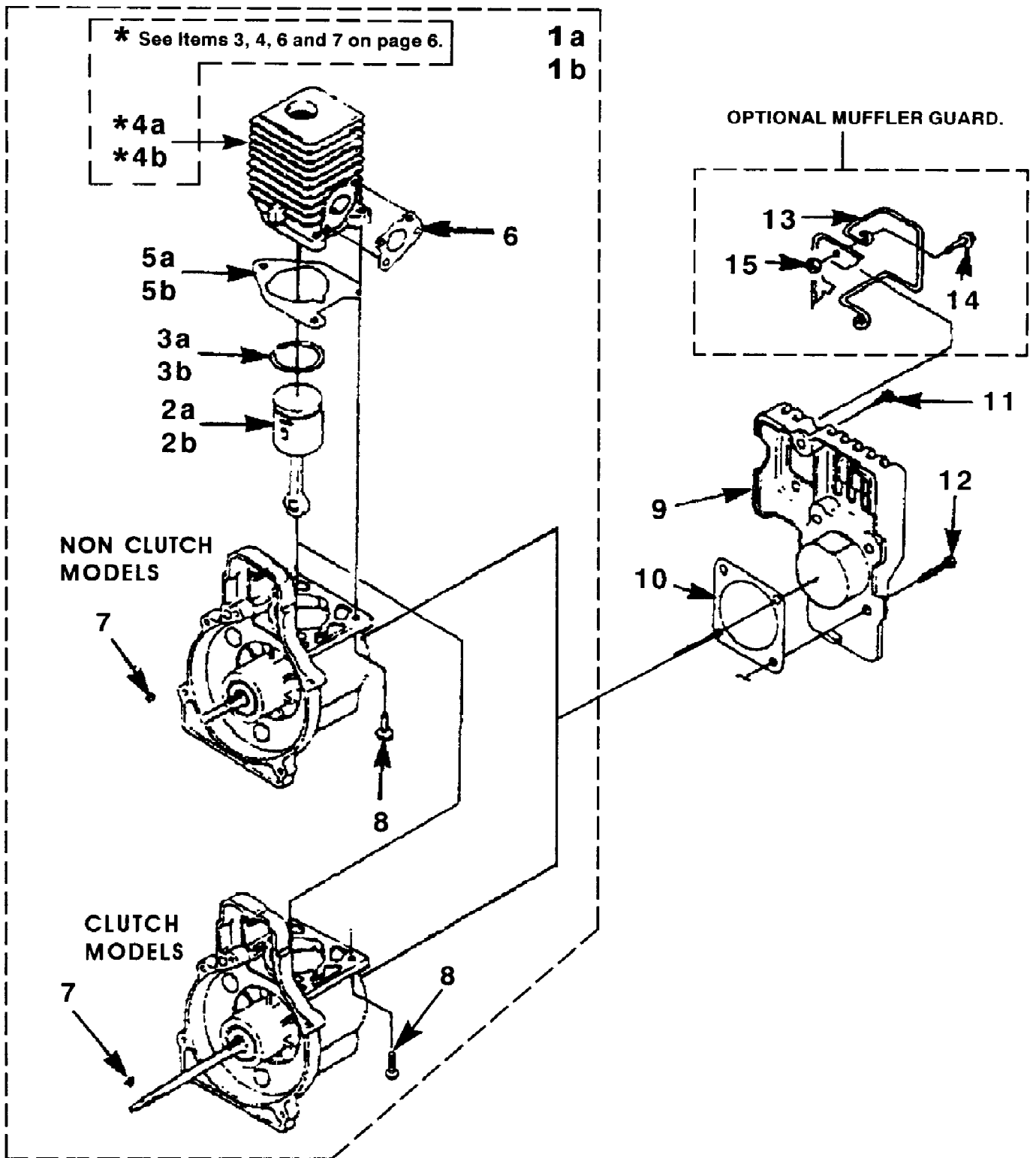


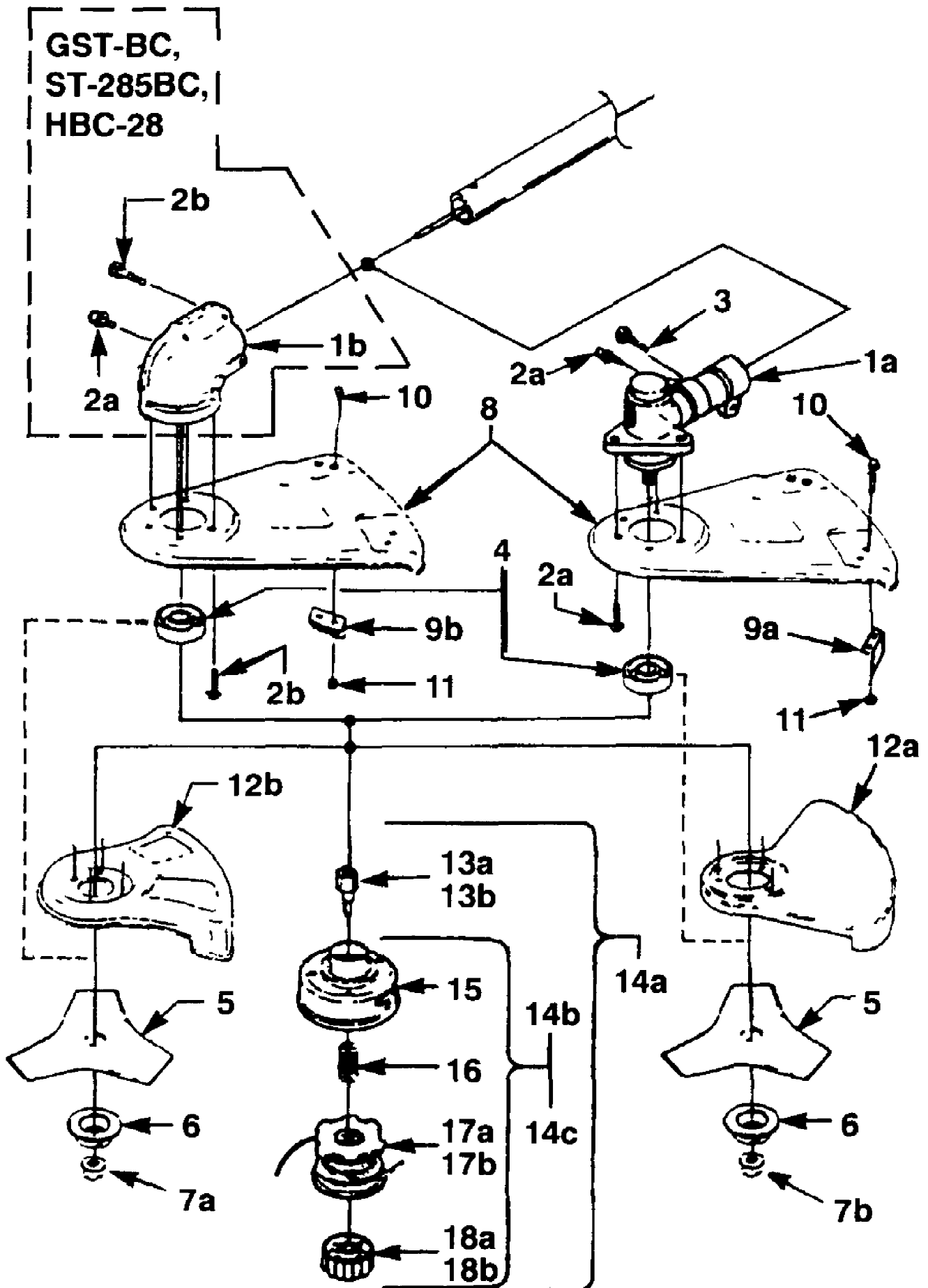
Ref #	Part Number	Qty	S/P/F	Description
1	DA92703C	1	S	HARNESSESS w/Connector ST385-BC, HBC-28
2	A00736	1		HANDLE KIT - Front ST385-BC, HBC-28
3	00677	4	/P	NUT - Hex (M5 X 0.8)
4	00676	4	/P	SCREW - Hex Hd (M5 X 0.8 X 35)
5	A94442	1	/P	BRACKET - Hanger ST385-BC, HBC-28
6	82260	1	/P	SCREW - Thumb (10-24 X 1/2")
7	A039111	1		HANDLE GRIP ASSEMBLY
8	A98919A	1	S	LEAD - Ground
9	A03912	1	S	LEAD - Electrical
10	A03006	1	/P	THROTTLE CABLE
11	82368	5	S	SCREW - Plastite (8 X 3/4") Torque Specs. 15-25 In/Lbs, 1.7-2.8 Nm
12	72084A1	1	S	NUT - Hex Lock
13	95231	1	S	PLATE - Indicating
14	93653	1	S	SWITCH - Toggle
15	08833	1	S	TRIGGER ST285-BC, GST-BC
16	46840	1	/P	CABLE TIE
17	A03800A	1	S	HOUSING - Drive Shaft ST385-BC
18	04458	1	S	DECAL - Starting Instructions
19	04493	1	/P	DECAL - Safety
20	98832	1	/P	DRIVE SHAFT
17	A04863	1		HOUSING - Drive Shaft HBC-28, ST285-BC, GST-BC
18	04458	1	S	DECAL - Starting Instructions
19	02985	1	S	DECAL - Warning
20	98818	1	/P	SHAFT - Flexible
21	A07159	1	S	J-HANDLE BAR KIT ST285-BC, GST-BC
22	83009	2	/P	Washer - Lock
23	82278	1	/P	SCREW - Hex Hd (1/4-20 X 1/2") Torque Specs. 75-85 In/Lbs, 8.5-9.6 Nm
24	82496	1	/P	SCREW - Hex Hd (1/4-20 X 1") Torque Specs. 75-85 In/Lbs, 8.5-9.6 Nm
25	00422	1	S/P	CLAMP - Handle Bar ST285-BC, GST-BC
26	81242	2	/P	NUT - Hex (1/4-20)
27	84004	2	/P	WASHER - Flat



Ref #	Part Number	Qty	S/P/F	Description
1	04474	2	/P	SCREW - Machine (10-24 X 2-1/4") Torque Specs. 30-40 In/Lbs, 3.4-4.5 Nm
2	98768	1	S	HEAT DAM
3	825491	2	S	SCREW - Taptite (10-24 X 1") Torque Specs. 40-50 In/Lbs, 4.5-5.6 Nm, Red 262 Required Loctite
B	A04445A	1	/P	CARBURETOR KIT
4	98766A	1	S/P	GASKET - Carburetor
F	A04447C	1	S	FUEL TANK
5	49422	1	S	FILTER Fuel
6	0143932	1	S/P	TUBING - Rubber (8")
7	9477232	1	S	TUBING - Rubber (8")
8	98268	1	S/P	CLAMP - Wire
9	A00982B	1	S	FUEL CAP
10	98792	3	/P	BUMPER - Rubber
11	0143916	1	/P	TUBING - Rubber (3 X 3/4")
12	07469	1		GROMMET w/Tubing
13	02067	1	/P	FITTING - Fuel

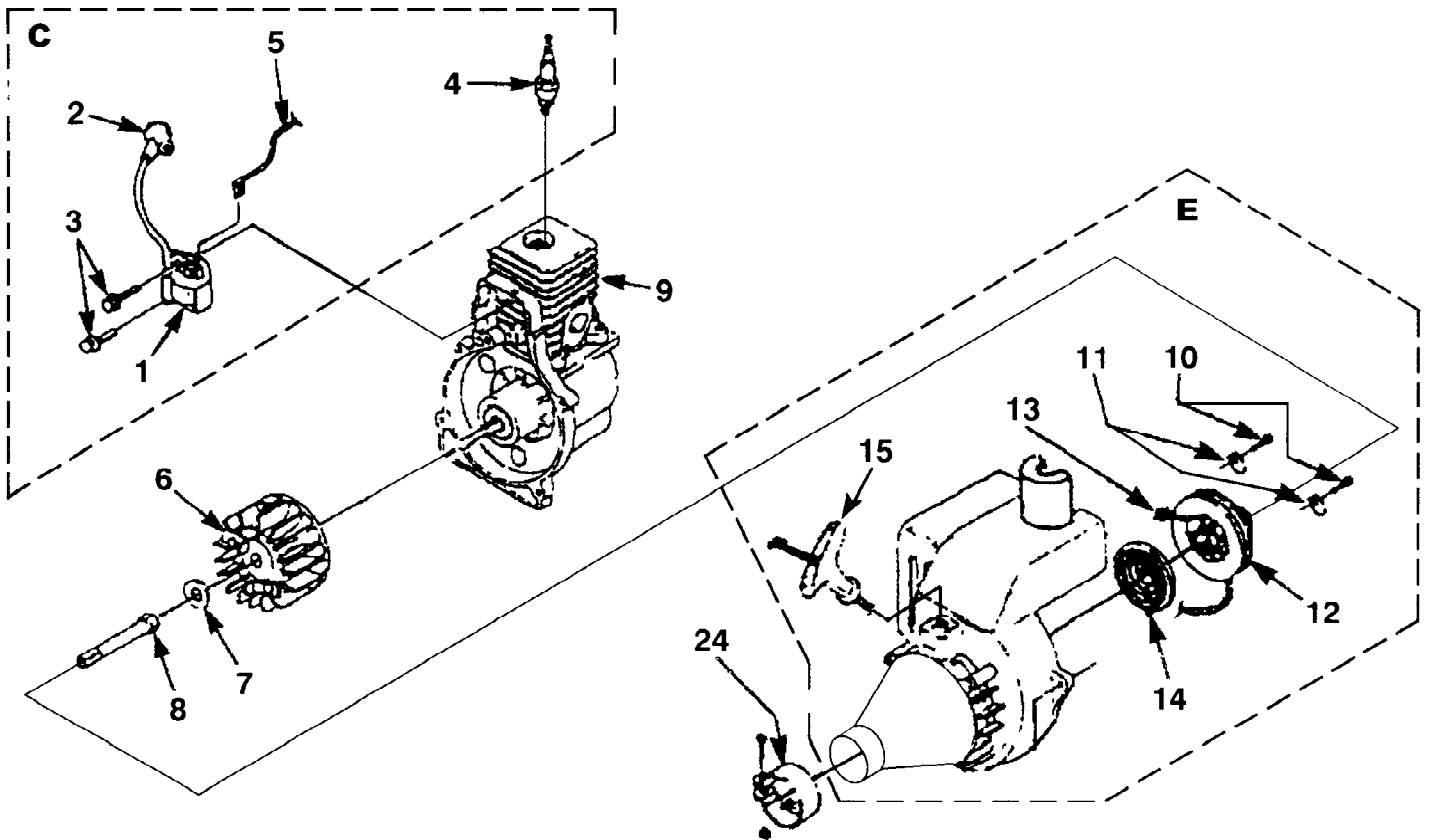


Ref #	Part Number	Qty	S/P/F	Description
1a	A07134	1	S	SHORT BLOCK (30CC Non Clutch) Short Blocks Include Items 2a-8
1b	A07135	1	S	SHORT BLOCK (30CC Clutch) Short Blocks Include Items 2a-8
2a	A03599	1	S	30CC PISTON & ROD
3a	03179	2	/P	RING - Piston
4a	A09058	1	S	30CC CYLINDER KIT
5a	04388B	1	S/P	GASKET - Cylinder
6	08840	1	/P	GASKET - Heat Dam
7	69250	1	/P	KEY - Woodruff
8	825691	3	/P	SCREW - Thread Forming (10-24 X 3/4") Torque Specs. 55-65 In/Lbs, 6.2-7.3 Nm, Red 262 Required Loctite
?1c	A09055	1	S	SHORT BLOCK (25CC Non Clutch) Short Blocks Include Items 2b-8
?1d	A09056	1	S	SHORT BLOCK (25CC Clutch) Short Blocks Include Items 2b-8
2b	A07314	1	S	25CC PISTON & ROD
3b	96935	1	S	RING - Piston
4b	A07145	1	S	25CC CYLINDER KIT
5b	04388B	1	S/P	GASKET - Cylinder
6	08840	1	/P	GASKET - Heat Dam
7	69250	1	/P	KEY - Woodruff
8	825691	3	/P	SCREW - Thread Forming (10-24 X 3/4")
9	A00858	1	/P	CRANKCASE COVER
10	98767A	1	/P	GASKET - Crankcase Cover
11	82541	2	/P	SCREW - Plastite (#10 X 1/2") Torque Specs 30-40 In/Lbs, 3.4-4.5 Nm
12	82538	4	/P	SCREW - Taptite (10-24 X 1/2") Torque Specs. 25-30 In/Lbs, 2.8-3.4 Nm, Red 262 Required Loctite
13	A00254A	1	/P	WIRE GUARD KIT
14	88049	2	/P	SCREW - Hex Sems (10-24 X 1/2") Torque Specs 40-50 In/Lbs, 4.5-5.6 Nm
15	81208	2	/P	NUT (10-24)

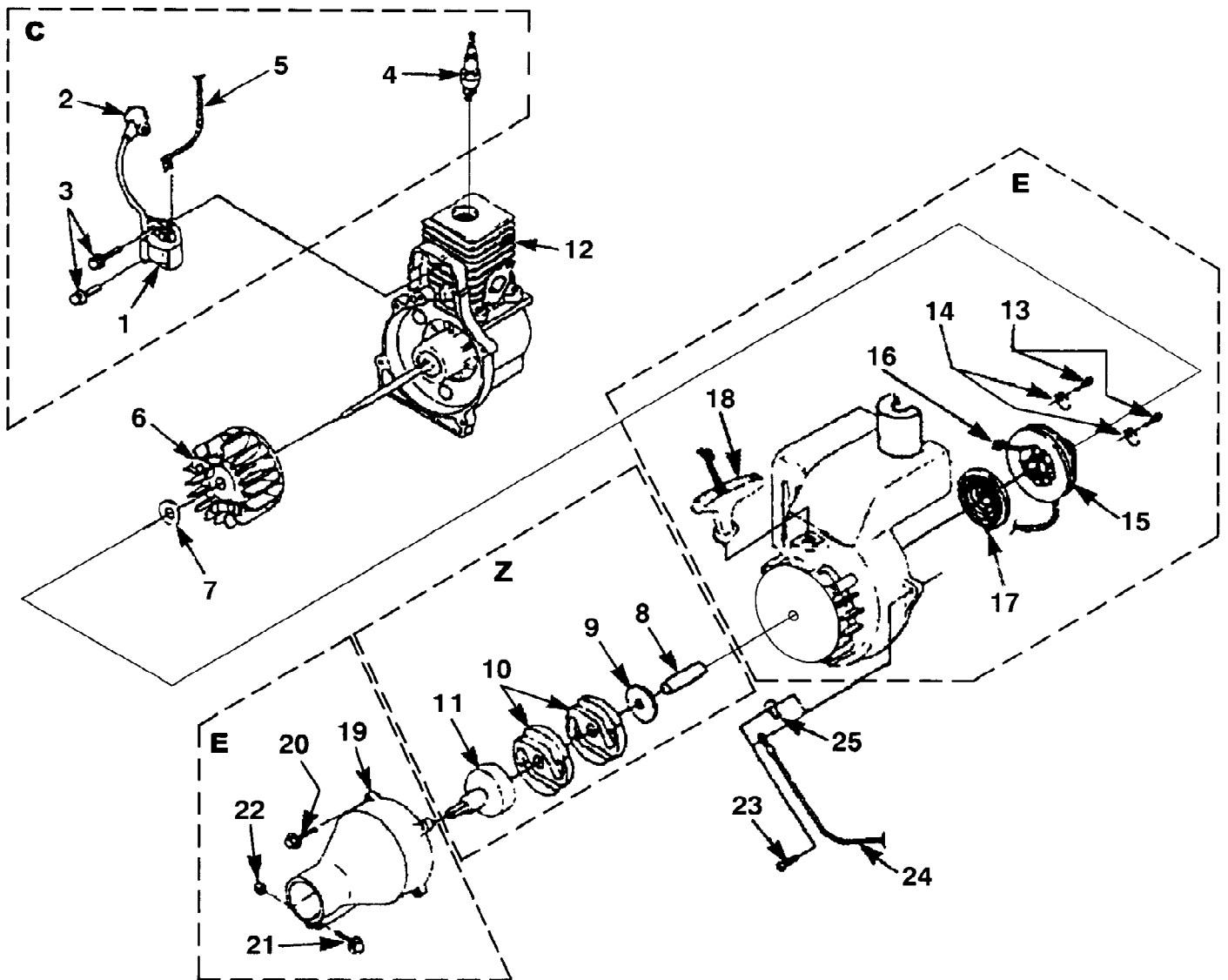


Ref #	Part Number	Qty	S/P/F	Description
1A	A03888	1	S	GEAR HEAD ST385-BC
1B	A04836C	1	S	GEAR HEAD ST285-BC, GST-BC, HBC-28; Includes Item #'s 4 and 13b.
2A	88049	2	/P	SCREW - Hex Hd (10-24 X 1/2") Torque Specs. 20-30 In/Lbs, 2.3-3.4 Nm, Red 262 Required Loctite
2B	82298	5	S	SCREW - Hex Hd (10-24 X 5/8") Torque Specs. 20-30 In/Lbs, 2.3-3.4 Nm, Red 262 Required Loctite
2B	82298	2	S	SCREW - Hex Hd (10-24 x 5/8) ST285-BC, GST-BC, HBC-28
3	96624	1	/P	SCREW - Socket Hd (10-24 X 1") ST385-BC
4	04168A	1	S/P	WASHER - Flanged
5	D98717C	1	S/P	BLADE - Tri Arc
6	04409	1	/P	WASHER - Cupped, Lower
7A	81282	1	S	NUT - Hex Locking (R.H.)
7B	04277	1	/P	NUT - Hex Locking (L.H.)
8	A04683A	1	/P	GRASS DEFLECTOR
9A	07076	1	/P	BLADE - Cut Off
9B	00075	1	S	BLADE - Cut Off
10	80869	2	/P	SCREW - Mach. Hex Hd (10-24 X 3/8") Torque Specs 40-50 In/Lbs, 4.5-5.6 Nm, Red 262 Required Loctite
11	81208	2	/P	NUT - Hex (10-24)
12A	988472	1	/P	BLADE GUARD ST385-BC
12B	044101	1	/P	BLADE GUARD ST285-BC, GST-BC, HBC-28
13A	9855141	1	/P	SHAFT ADAPTOR (L.H.) ST385-BC
13B	04355	1	/P	SHAFT ADAPTOR (R.H.) ST285-BC, GST-BC, HBC-28
14A	DA03174A	1	S/P	STRINGHEAD COMPLETE (.095" Line) ST385-BC
14B	DA04591A	1	S/P	STRINGHEAD COMPLETE (.095" Line) HBC-28
14C	DA03001A	1	S/P	STRINGHEAD COMPLETE (.080" Line) ST285-BC, GST-BC
15	A98231A	1	S/P	HOUSING & EYELET
16	00713	1		SPRING - Compression
17A	DA02598C	1	S	SPOOL & STRING ST385-BC, HBC-28
17B	DA98912E	1	S	SPOOL & STRING ST285-BC, GST-BC
18A	DA97910C	1	S	SPOOL RETAINER (L.H.) ST385-BC
18B	DA98866A	1	S	SPOOL RETAINER (R.H.) ST285-BC, GST-BC, HBC-28

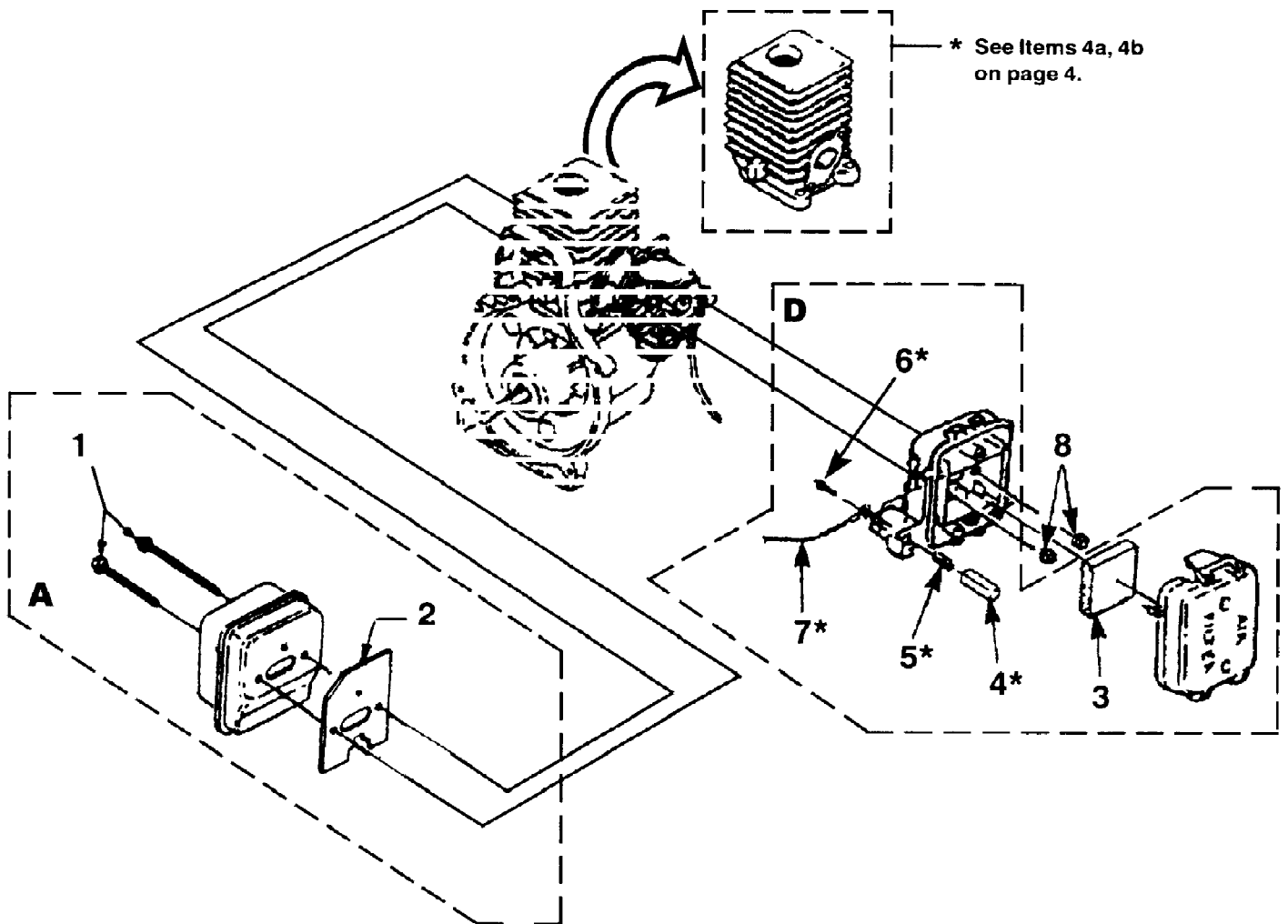




Ref #	Part Number	Qty	S/P/F	Description
C	A04446	1	S	IGNITION KIT
1	94711CS	1	/P	MODULE - Ignition
2	A33055	1	/P	TERMINAL & COVER
3	82540	2	/P	SCREW - Taptite (8-32 X 1") Torque Specs 30-40 In/Lbs, 3.4-4.5 Nm. Blue 242 Required Loctite
4	96169S	1	S	SPARK PLUG Torque Specs 120-180 In/Lbs, 13.6-20.3 Nm
5	A07238	1	/P	LEAD - Electrical
6	A04158S	1	S	ROTOR KIT ST-185BC, GST-BC
7	95479A	1	/P	WASHER - Flat
8	98795A	1	/P	CONNECTOR - Drive
9		1		SHORT BLOCK See "Engine Internal" illustration and parts list, items 1A, 1B.
E	A02575E	1	/P	COMPLETE STARTER ASSEMBLY
10	82541	2	/P	SCREW - Plastite (#10-1/2") Torque Specs 30-40 In/Lbs, 3.4-4.5 Nm
11	98791	2	/P	BRACKET - Retaining
12	98770A	1	/P	PULLEY - Starter
13	9789902	1	S/P	ROPE - Starter (42")
14	A98773A	1	S/P	SPRING & CONTAINER
15	02264	1	S	GRIP - Starter
?16	08469	1	S	CLAMP w/fasteners
24		1		UNKNOWN



Ref #	Part Number	Qty	S/P/F	Description
C	A04446	1	S	IGNITION KIT
1	94711CS	1	/P	MODULE - Ignition
2	A33055	1	/P	TERMINAL & COVER
3	82540	2	/P	SCREW - Taptite (8-32 X 1") Torque Specs. 30-40 In/Lbs, 3.4-4.5 Nm, Blue 242 Required Loctite
4	96169S	1	S	SPARK PLUG Torque Specs. 120-180 In/Lbs, 13.6-20.3 Nm
5	A00681	1		LEAD - Electrical
6	A04158S	1	S	ROTOR KIT ST-185BC, GST-BC
7	95479A	1	/P	WASHER - Flat
8	035661	1	S	SPACER Clutch Models
10	98795A	1	/P	CONNECTOR - Drive
Z	A04655	1		CLUTCH AND DRUM KIT ST-285BC, ST-385BC, HBC-18, HBC-30
9	98929A	1	S/P	WASHER - Flat
10	00242	2	/P	CLUTCH ST-185BC, GST-BC
10		3		CLUTCH ST-285BC, ST-385BC, HBC 18, HBC 30
11	A03485A	1	S	CONNECTOR & DRUM ST-285BC, ST-385BC, HBC-18, HBC-30
12		1		SHORT BLOCK See "Engine Internal" illustration and parts list, items 1A, 1B.
E	A04638C	1	/P	COMPLETE STARTER ASSEMBLY
13	82541	2	/P	SCREW - Plastite (#10-1/2") Torque Specs. 30-40 In/Lbs, 3.4-4.5 Nm
14	98791	2	/P	BRACKET - Retaining
15	98770A	1	/P	PULLEY - Starter
16	9789902	1	S/P	ROPE - Starter (42")
17	A98773A	1	S/P	SPRING & CONTAINER
18	02264	1	S	GRIP - Starter
19	A02396A	1	/P	TUBE ADAPTER
20	88052	4	/P	SCREW - Hex Hd (10-24 X 7/8") Torque Specs. 30-40 In/Lbs, 3.4-4.5 Nm
21	96624	1	/P	SCREW - Sems Hex Hd (10-24 X 1-1/8")
22	81208	1	/P	NUT (10-24) Torque Specs. 30-40 In/Lbs, 3.4-4.5 Nm
23	82538	4	/P	SCREW - Taptite (10-24 X 3/4") Torque Specs. 55-60 In/Lbs, 6.2-6.8 Nm
24	A98919A	1	S	LEAD - Ground
25	02851	1	/P	TERMINAL - Male



Ref #	Part Number	Qty	S/P/F	Description
A	A04837	1	/P	MUFFLER COMPLETE
1	88060	2	S/P	SCREW - Sems Hex (10-24 X 2-1/2") Torque Specs 40-50 In/Lbs, 4.5-5.6 Nm
2	98786C	1	/P	GASKET - Muffler Also included in 25CC & 30CC Cylinder Kit; See "Engine Internal" Illustration & Parts List, Items 4a & 4b
D	A04707A	1	/P	AIR FILTER KIT
3	D98760B	1	S	FILTER - AIR
4	98769	1	/P	BUTTON - Switch Not a part of model ST-385 BC
5	95020	1	S	SPRING - Compression Not a part of model ST-385 BC
6	82513	1	/P	SCREW - Plastite (#6) Not a part of model ST-385 BC; Torque Specs 5-10 In/Lbs, 6-1.1 Nm
7	A07238	1	/P	LEAD - Electrical Not a part of model ST-385 BC
8	81208	2	/P	NUT - Hex (10-24) Torque Specs 40-50 In/Lbs, 4.5-5.6 Nm