

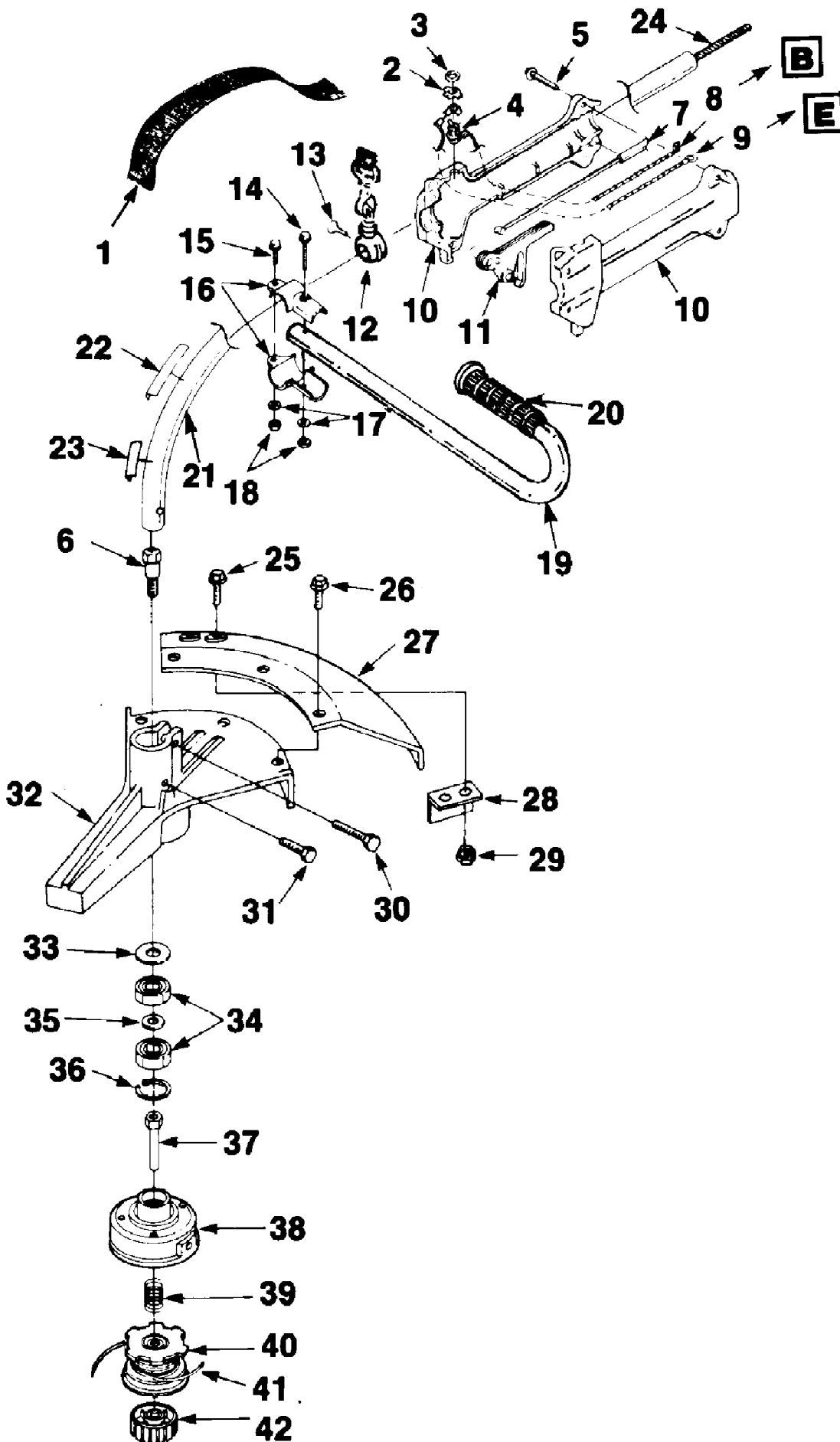
EN ACCESSORIES
F ACCESSOIRES
NL TOEBEHOREN
D ZUBEHÖR
I ACCESSORI
E ACCESORIOS
P ACESSÓRIOS

EN Ignition Test Spark Plug JA-31316-4	EN Holding tool 00063
F Testeur d'allumage	F Outil de maintien
NL Bougie voor ontstekingscontrole	NL Blokkeerpen
D Testzündkerze für Zündprüfung	D Haltewerkzeug
I Candela di collaudo	I Attrezzo di bloccaggio
E Bujia para probar el encendido	E Herramienta sujetadora
P Vela de ensaio da ignição	P Acessório de suporte
EN Rubber Tubing (10 ft) (3,05 m) 94772-99	EN Grease, Multi-Purpose 18453
F Tubes en caoutchouc (3,05 m)	F Graisse universelle
NL Rubber slang (3,05 m)	NL Universeel vet
D Gummirohr (3,05 m)	D Mehrzweck-Schmiermittel
I Dotto di gomma (3,05 m)	I Grasso, multiuso
E Tubo de caucho (3,05 m)	E Grasa universal
P Tubo de borracha (3,05 m)	P Lubrificante, para fins múltiplos
EN Starter Rope (250 ft Reel) (76 m) 98052-A	EN Carburetor Repair Tool 17789
F Cordon de lanceur (bobine de 76 m)	F Outil de réparation de carburateur
NL Startkoord (spoel met 76 m)	NL Reparatiegereedschap voor carburateur
D Starterseil (76 m Spule)	D Vergaser-Reparaturwerkzeug
I Corda d'avviamento (bobina da 76 m)	I Attrezzo di riparazione del carburatore
E Cuerda de arranque (carrete de 76 m)	E Herramienta de reparación del carburador
P Cabo do arrancador (rolo de 75 m)	P Ferramenta de reparação do carburador
EN Torx Drive Bit T25 24982-01	EN Thread Locking Compound 23488-C
F Foret torx	F Produit de blocage de filetage
NL Torx-drijfbit	NL Borgmiddel voor schroefdraden
D Torx-Antriebsbit	D Gewinde-Sicherungsmasse
I Punta Torx Drive	I Composto di bloccaggio della filettatura
E Broca de empuje Torx	E Pasta selladora de roscas
P Broca accionadora Torx	P Composto de retenção de roscas
EN Torx Bit (for clutch drum) T25 24982-03	EN Shim (.125") (3,17 mm) 24306
F Foret torx (pour tambour d'embrayage)	F Cale (3,17 mm)
NL Torx drijfbit (voor koppelingstrommel)	NL Afstandsbus (3,17 mm)
D Torx-Antriebsbit (für Kupplungstrommel)	D Distanzscheibe (3,17 mm)
I Punta Torx Drive (per il tamburo della frizione)	I Spessore (3,17 mm)
E Broca de empuje Torx (tambor del embrague)	E Suplemento (3,17 mm)
P Broca Torx (para o tambor da embraagem)	P Calço (3,17 mm)
EN Torx Drive Bit T-27 18566-01	EN Rubber Tubing (10 ft.) 01439-99
F Foret torx	F Tubes en caoutchouc (3,05 m)
NL Torx-drijfbit	NL Rubber slang (3,05 m)
D Torx-Antriebsbit	D Gummirohr (3,05 m)
I Punta Torx Drive	I Dotto di gomma (3,05 m)
E Broca de empuje Torx	E Tubo de caucho (3,05 m)
P Broca accionadora Torx	P Tubo de borracha (3,05 m)

HBC18 String Trimmer UT-15075
Accessories

Page 2 of 12

Ref #	Part Number	Qty	S/P/F	Description
JA313164	JA313164	1		Ignition Test Spark Plug
9477299	9477299	1	/P	Rubber Tubing (10 ft.) (3.05 m)
98052-A	98052A	1	/P	Starter Rope (250 ft. Reel) (76 m)
2498201	2498201	1		Torx Drive Bit T25
24982-03	2498203	1	S	Torx Bit (for clutch drum) T25
18566-01	1856601	1	/P	Torx Drive Bit T-27
00063	00063	1	S/P	Holding tool
18453	18453	1	/P	Grease, Multi-Purpose
17789	17789	1	S	Carburetor Repair Tool
23488C	23488C	1		Thread Locking Compound
24306	24306	1	S	Shim (.125") (3.17 mm)
01439-99	0143999	1		Rubber Tubing (10 ft.)



HBC18 String Trimmer UT-15075
Boom & Head

Page 4 of 12

Ref #	Part Number	Qty	S/P/F	Description
1	DA92703B	1		HARNES
2	95231	1	S	PLATE- Indicating
3	72084A1	1	S	NUT- Toggle switch
4	93653	1	S	SWITCH- Toggle
5	82368	4	S	SCREW- Plastite (#8 x 3/4")
6	98834A	1	S	SHAFT- Spindle
7	A03006	1	/P	CABLE- Throttle
8	A98918	1		LEAD- Electrical
9	A98919A	1	S	LEAD- Ground
10	A00879	1	/P	HANDLE GRIP ASSEMBLY
11	98772A	1	S	TRIGGER
12	A94442	1	/P	BRACKET- Hanger
13	82260	1	/P	SCREW- Thumb (10-24 x 1/2")
14	88071	1		SCREW- (1/4-20 x 1 1/2")
15	88078	1	/P	SCREW- (1/4-20 x 7/8")
16	00422	2	S/P	CLAMP- Handle bar
17	83061	2	/P	WASHER- (1/4")
18	81267	2	/P	NUT- (1/4-20)
19	A02951	1		"J" HANDLE BAR
20	94474B	1	/P	GRIP
21	A03287A	1		HOUSING- Drive shaft
22	989241	1		DECAL- Starting instr.
23	02985	1	S	DECAL- Warning
24	98818	1	/P	SHAFT- Flexible
25	80869	2	/P	SCREW- (10-32 x 3/8")
26	806813	3	/P	SCREW- (1/4-20 x 1/2")
27	988451	1		DEFLECTOR- Grass
28	98858	1	S	BLADE- Cut off
29	81208	2	/P	NUT- (10-32)
30	88078	1	/P	SCREW- (1/4-20 x 1")
31	80869	1	/P	SCREW- (10-24 x 3/8")
32	987321B	1	S	HOUSING- Lower bearing
33	98838	1		WASHER- Thrust
34	98798	2	S	BEARING- Ball
35	98839	1	/P	SPACER- Bearing
36	98799	1	/P	RING- Snap
37	98849	1	/P	CONNECTOR- Drive
38	A98231A	1	S/P	HOUSING & EYELET
39	98848	1	S	SPRING- Compression
40	DA02598A	1		SPOOL & STRING
41	0395903	1	S	LINE REPLACEMENT (.095" Dia.) (1 lb.)
42	DA98866A	1	S	RETAINER- Spool (R.H. Thread)

(CA) CARBURETOR
 (F) CARBURATEUR
 (NL) CARBURATEUR
 (D) VERGASER
 (I) CARBURATORE
 (E) CARBURADOR
 (P) CARBURADOR

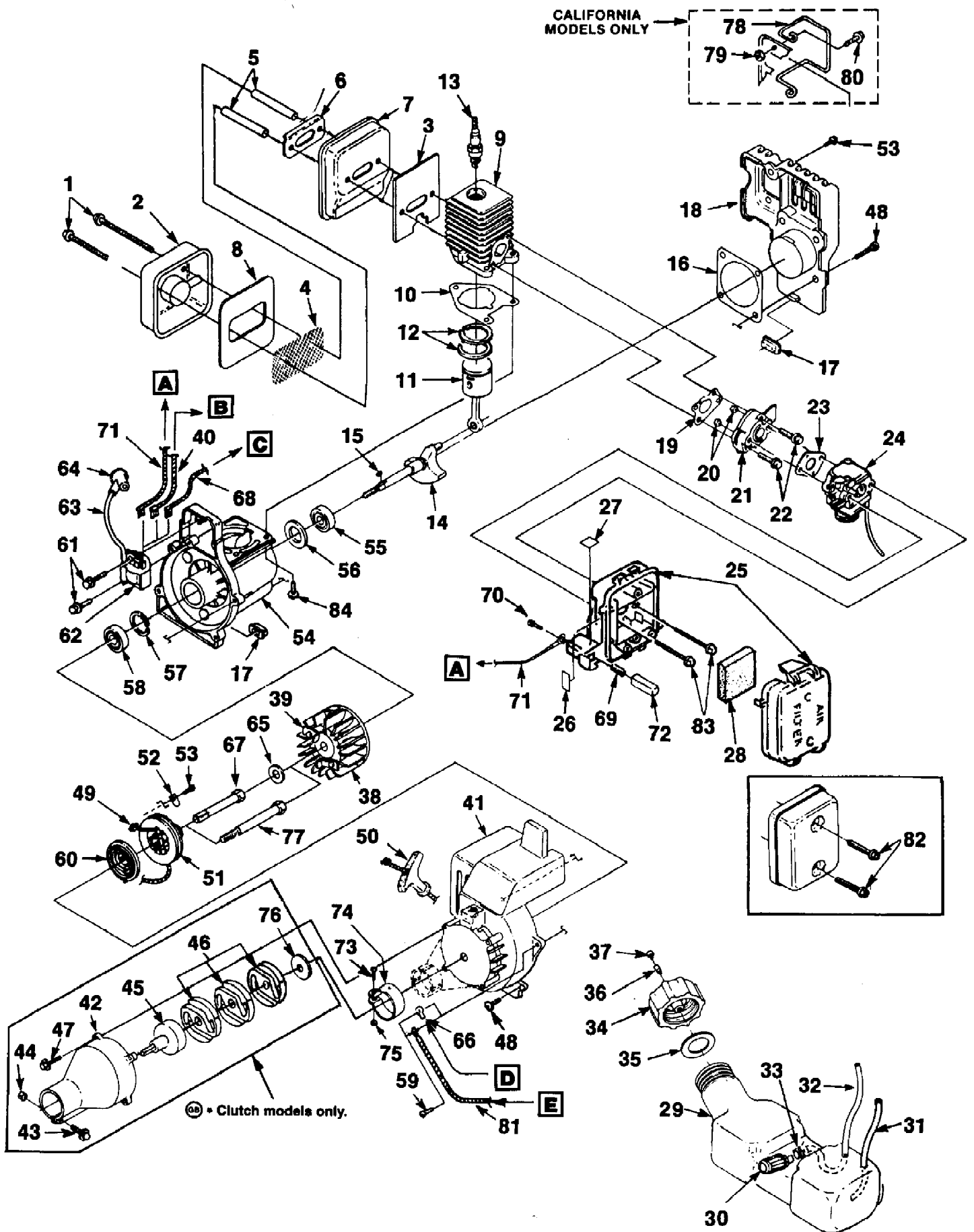
ZAMA	A-03003
(CA) Repair Kit	A-00288-A
(F) Jeu de réparation	
(NL) Reparatieset	
(D) Reparatursatz	
(I) Kit per riparazioni	
(E) Juego de reparación	
(P) Jogo de reparação	
(CA) Gasket/Diaphragm Kit	A-01197-A
(F) Jeu joint/diaphragme	
(NL) Pakking/membraan set	
(D) Dichtung/Membrane-Satz	
(I) Kit diaframma/guarnizione	
(E) Conjunto junta/diafragma	
(P) Jogo de juntas vedantes/diafragmas	
(CA) Primer Bulb	A-01195-A
(F) Bouton d'amorçage	
(NL) Voorinspuitpomp	
(D) Vorpumpe	
(I) Cicchetto	
(E) Bulbo cebador	
(P) Bolha da unidade de escorvagem	
(CA) Primer Base	A-03062
(F) Base d'amorçage	
(NL) Voorinspuit-sokkel	
(D) Vorpumpen-Sockel	
(I) Base del cicchetto	
(E) Base de cebador	
(P) Base da unidade de escorvagem	

WALBRO	A-03002
(CA) Repair Kit	A-02885
(F) Jeu de réparation	
(NL) Reparatieset	
(D) Reparatur-Satz	
(I) Kit di riparazione	
(E) Juego de reparación	
(P) Jogo de reparação	
(CA) Gasket/Diaphragm Kit	A-00285-A
(F) Jeu joint/diaphragme	
(NL) Pakking/membraan set	
(D) Dichtung/Membrane-Satz	
(I) Kit diaframma/guarnizione	
(E) Conjunto junta/diafragma	
(P) Jogo de juntas vedantes/diafragmas	
(CA) Swivel Kit	A-00289
(F) Jeu de pivots	
(NL) Zwenkset	
(D) Drehzapfen-Satz	
(I) Serie di ingranaggi girevoli	
(E) Juego de enganche giratorio	
(P) Jogo da rótula	
(CA) Primer Bulb	A-01201
(F) Bouton d'amorçage	
(NL) Voorinspuitpomp	
(D) Vorpumpe	
(I) Cicchetto	
(E) Bulbo cebador	
(P) Bolha da unidade de escorvagem	
(CA) Primer Base*	A-01200-A
(F) Base d'amorçage*	
(NL) Voorinspuit-sokkel*	
(D) Vorpumpen-Sockel*	
(I) Base del cicchetto*	
(E) Base de cebador*	
(P) Base da unidade de escorvagem*	

HBC18 String Trimmer UT-15075
Carburetor

Page 6 of 12

Ref #	Part Number	Qty	S/P/F	Description
A-03003	A03003	1		ZAMA
A-00288-A	A00288A	1		Repair Kit
A-01197-A	A01197A	1		Gasket/Diaphragm Kit
A-01195-A	A01195A	1	S	Primer Bulb
A-03062	A03062	1		Primer Base
A-03002	A03002	1		WALBRO
A-02665	A02665	1		Repair Kit
A00285A	A00285A	1		Gasket/Diaphragm Kit
A-00289	A00289	1		Swivel Kit
A-01201	A01201	1		Primer Bulb
A-01200-A	A01200A	1		Primer Base



Ref #	Part Number	Qty	S/P/F	Description
1	88060	2	S/P	SCREW- Hex hd. (10-24 x 2 1/2")
2	A98780	1	S	MUFFLER- Cover
3	98786B	1		GASKET- Muffler
4	98784A	1		SCREEN- Spark
5	98860A	2	S	SPACER- Muffler
6	98783	1	/P	PLATE- Reinforcing
7	A01323	1	S	BODY- Muffler
8	98782	2	S	BAFFLE- Muffler
9	A03785	1		CYLINDER
10	03703A	1	S	GASKET
11	A03705	1		PISTON & ROD ASSY.
12	03179	2	/P	RING- Piston
13	96169S	1	S	SPARK PLUG (DJ7Y)
	79252	1	S	SPARK PLUG (Int.) (RDJ7-Y)
14	987585	1		CRANKSHAFT
15	69250	1	/P	KEY- Woodruff
16	98767A	1	/P	GASKET- Crankcase
17	98792	3	/P	BUMPER- Rubber
18	01023B	1	S	COVER- Crankcase
19	98765B	1	/P	GASKET- Heat dam
20	81208	2	/P	NUT- (10-24)
21	98768	1	S	HEAT- Dam
22	825491	2	S	SCREW- Thd. form (10-24 x 1")
23	98766A	1	S/P	GASKET- Carburetor
24	A03002	1		CARBURETOR (Walbro)
	A03003	1		CARBURETOR (Zama)
25	A01440A	1	S	AIR FILTER BOX & COVER
26	00772	1		DECAL- Choke/Run
27	98943	1		DECAL- Push/hold
28	D98760A	1		AIR FILTER
29	A01441	1		TANK- Fuel
30	49422	1	S	FILTER- Fuel
31	0143932	1	S/P	TUBING- Rubber (8")
32	9477232	1	S	TUBING- Rubber (8")
33	98268	1	S/P	CLAMP- Wire
34	A00982	1		FUEL- CAP ASSY.
35	98805A	1	/P	GASKET- Fuel cap
36	98913	1	S	FILTER
37	03134	1	S/P	VALVE- Filter
38	A950071	1	S	ROTOR & STARTER PAWL
39	A70285E	1	/P	STARTER PAWL KIT
40	A98918	1		LEAD- Electrical (HLT-17C & HBC-18)
41	A02575A	1		HOUSING- Engine (HLT-16 & HLT-18)
	A02576B	1		HOUSING- Engine (HLT-17C, HBC-18, HBC-30 & HBC-30B)
42	A02396	1		TUBE ADAPTOR KIT (HLT-17C, HBC-18, HBC-30 & HBC-30B)
43	88054	1	S	SCREW
44	81208	1	/P	NUT
45	A02727	1	S	CONNECTOR & DRUM (HLT-17C)
	A03485A	1	S	CONNECTOR & DRUM (HBC-18, HBC-30 & HBC-30B)

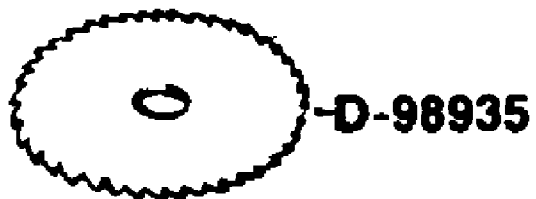
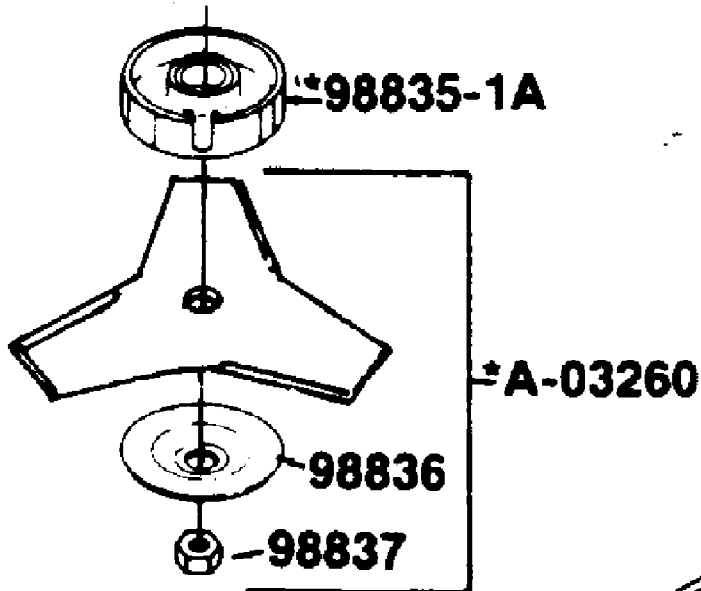
Ref #	Part Number	Qty	S/P/F	Description
46	00242	1	/P	CLUTCH (HLT-17C) (HBC-18, HBC-30 & HBC-30B)
47	88052	1	/P	SCREW (10-24 x 7/8") (HLT-17C, HBC-18, HBC-30 & HBC30B)
48	82538	1	/P	SCREW (10-24 x 3/4") (HLT-17C, HBC-18, HBC-30 & HBC-30B)
49	9789902	1	S/P	ROPE- Starter
50	02264	1	S	GRIP- Starter
51	98770	1		PULLEY- Starter
52	98791	1	/P	BRACKET- Retaining
53	82541	2	/P	SCREW- Plastite
54	A03784	1		CRANKCASE ASSY.
55	98797	1	/P	BEARING-Ball
56	98800	1	/P	SEAL
57	98799	1	/P	RING-Retaining
58	98798	1	S	BEARING- Ball
59	82538	1	/P	SCREW- Truss hd. (10-24 x 3/4")
60	A98773	1		SPRING & CONTAINER
61	82540	2	/P	SCREW- Taptite
62	94711CS	1	/P	MODULE- Ignition (Sems-Walbro)
63	69326	1		LEAD- High tension
64	A33055	1	/P	TERMINAL- High tension
	94711CS	1	/P	MODULE Ignition (Phelon)
	A69587A	1		LEAD- High tension
	A33055	1	/P	TERMINAL- High tension
	02008	1		MODULE- Ignition (Sawafugi)
	A69587A	1		LEAD- High tension
	A33055	1	/P	TERMINAL- High tension (HBC-18, HBC-30, HBC-30B)
65	84065	1	S	WASHER (HLT-16 & HLT-18)
66	00719	1	S	TERMINAL (HBC-30 & HBC-30B)
67	98795A	1	/P	DRIVE CONNECTOR (HLT-16 & HLT-18)
68	A00681	1		LEAD- Electrical (HBC-30 & HBC-30B)
69	95020	1	S	SPRING- Compression (HLT-16 & HLT-18)
70	93923	1	S	SCREW- Plastite (#6) (HLT-16 & HLT-18)
71	A98809	1	S	LEAD- Electrical (HLT-16 & HLT-18)
72	98769	1	/P	BUTTON- Switch (HLT-16 & HLT-18)
73	82268	1		SCREW-Hex sems (10-24 x 3/8") (HLT-16 & HLT-18)
74	98802A	1	S	CLAMP (HLT-16 & HLT-18)
75	97574	1		NUT- Square (HLT-16 & HLT-18)
76	98929A	1	S/P	WASHER- Flat (HLT-17C, HBC-18, HBC-30 & HBC-30B)
77	01547	1		ADAPTOR- Clutch (HLT-17C)
	03452	1		ADAPTOR- Clutch (HBC-18, HBC-30 & HBC-30B)
78	A00254	1	S	WIRE GUARD KIT (California Models Only)
79	98795	2		NUT (10-24)
80	88049	2	/P	SCREW (10-24 x 1/2")
81	A98919A	1	S	LEAD- Ground (HLT-17C & HBC-18)

HBC18 String Trimmer UT-15075
Engine & Peripherals

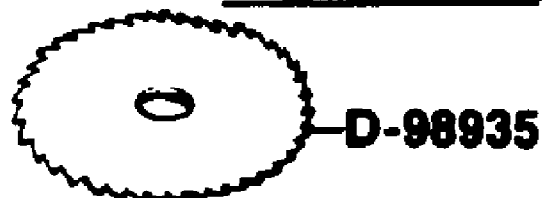
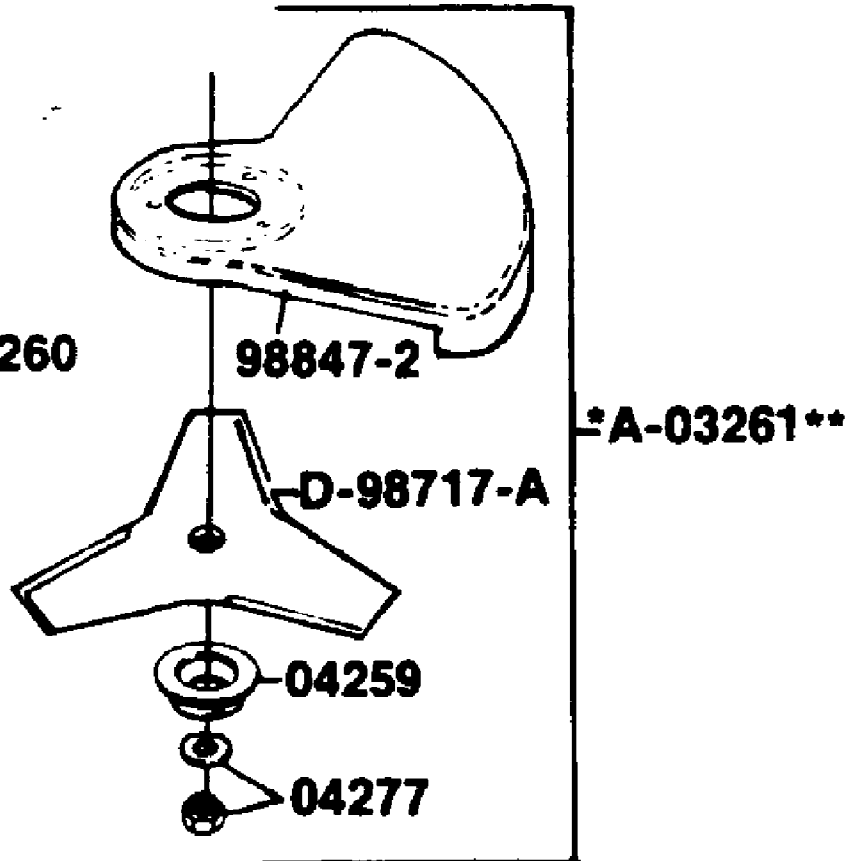
Page 10 of 12

Ref #	Part Number	Qty	S/P/F	Description
82	82368	2	S	SCREW
83	82542	2	/P	SCREW (10-24 x 2 1/4")
84	82569	3	S	SCREW (10-24 x 3/4") (T-27)

HBC-18



HBC-30 HBC-30B



HBC18 String Trimmer UT-15075
Optional Blades

Page 12 of 12

Ref #	Part Number	Qty	S/P/F	Description
98835-1A	988351A	1	S	98835-1A Required for blade use.
A-03260	A03260	1		A-03260 Required for blade use.
98836	98836	1		98836
81282	81282	1	S	81282
D-98935	D98935	1	S	D-98935
DA-00714	DA00714	1		DA-00714
98847-2	988472	1	/P	98847-2
A-03261	A03261	1	S	A-03261 Required for blade use. Also includes harness, bracket, and screw.
D-98717-A	D98717A	1	S	D-98717-A
04259	04259	1	/P	04259
04277	UNKNOWN	1		04277