

**REPAIR KITS  
JUEGOS DE REPARACION  
JEUX DE RÉPARATION  
REPARATURSÄTZE**

<b>Part No.</b>	<b>DESCRIPTION</b>
<b>No. de Pieza</b>	<b>DESCRIPCIÓN</b>
<b>No. de pièce</b>	<b>DESCRIPTION</b>
<b>Best. — Nr.</b>	<b>BESCHREIBUNG</b>
<b>02136-83</b>	<b>GASKET &amp; RING REPAIR KIT JUEGO DE EMPAQUETADURAS Y ANILLOS "O" DE REPARACION JEU DE JOINTS ET JOINTS TORIQUES POUR LA RÉPARATION DICHTUNG- UND O-RING REPARATURSATZ</b>

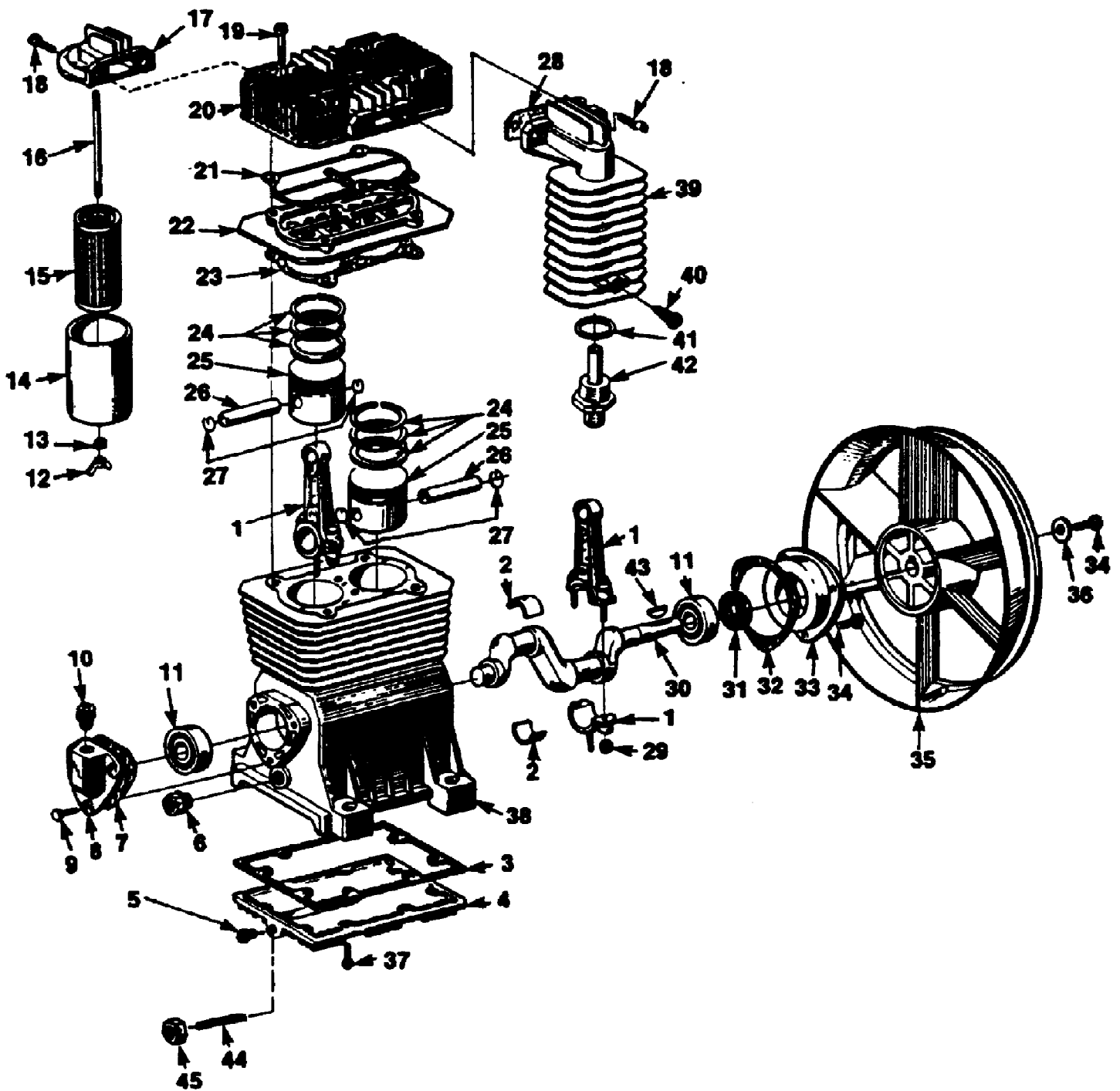
**ACCESSORIES  
ACCESORIOS  
ACCESSOIRES  
ZUBEHÖR**

<b>Part No.</b>	<b>DESCRIPTION</b>
<b>No. de Pieza</b>	<b>DESCRIPCIÓN</b>
<b>No. de pièce</b>	<b>DESCRIPTION</b>
<b>Best. — Nr.</b>	<b>BESCHREIBUNG</b>
<b>02411</b>	<b>PRESSURE REGULATOR REGULADOR DE PRESION RÉGULATEUR DE PRESSION LUFTDRUCKREGLER</b>

HAC150E/CSA Air Compressor UT-06051  
Accessories

Page 2 of 10

Ref #	Part Number	Qty	S/P/F	Description
02136-83	0213683	1		GASKET & RING REPAIR KIT
02411	02411	1		PRESSURE REGULATOR



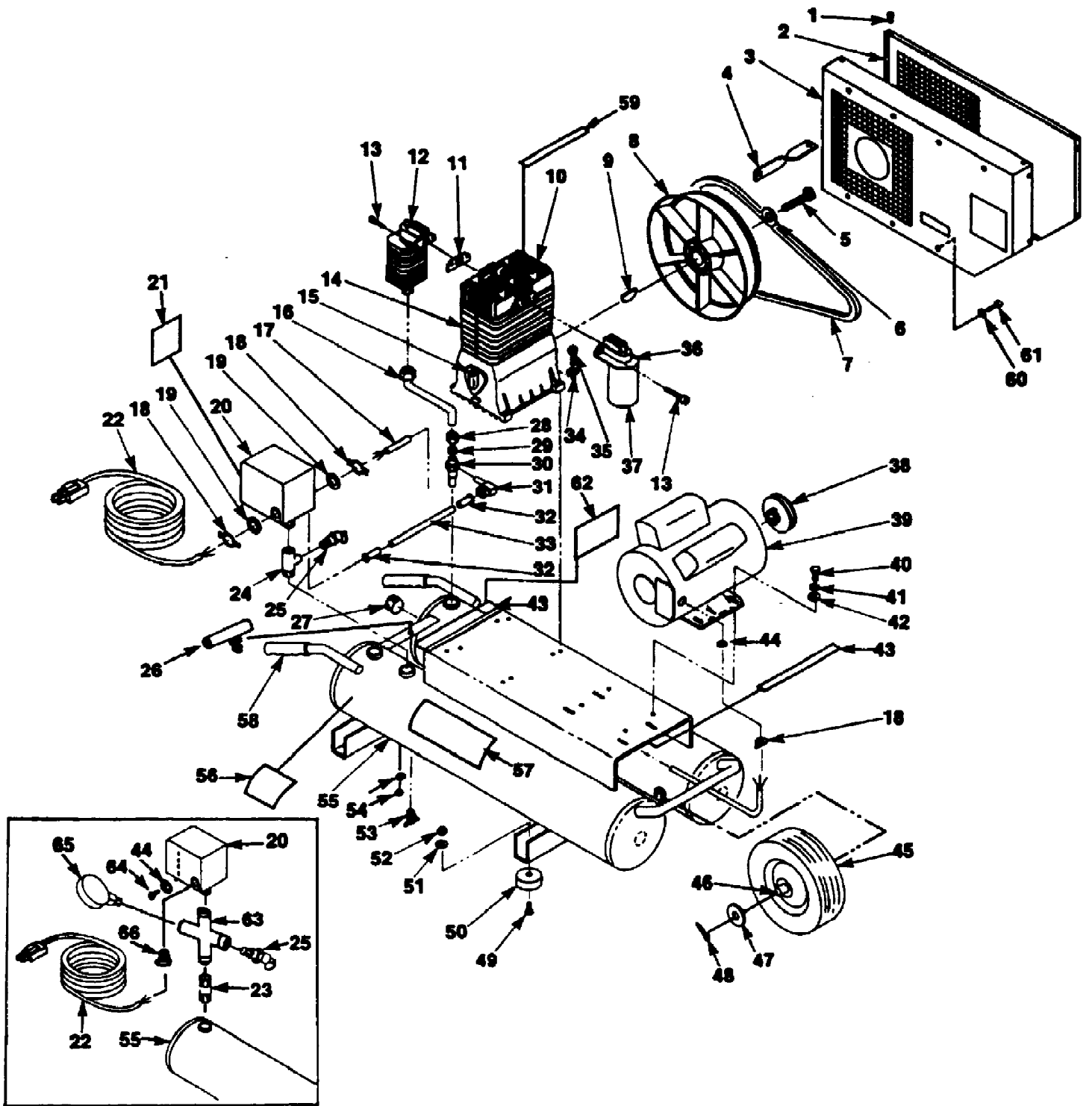
Ref #	Part Number	Qty	S/P/F	Description
1	0213638	2		MUST USE SUPERSESSION WHEN ORDERING
2	0213639	2		MUST USE SUPERSESSION WHEN ORDERING
3	0213640	1		MUST USE SUPERSESSION WHEN ORDERING
4	0213642	1		MUST USE SUPERSESSION WHEN ORDERING
5	0213643	1		MUST USE SUPERSESSION WHEN ORDERING
6	0213644	1		MUST USE SUPERSESSION WHEN ORDERING
7	0213645	1		MUST USE SUPERSESSION WHEN ORDERING
8	0213646	1		MUST USE SUPERSESSION WHEN ORDERING
9	0213647	3		MUST USE SUPERSESSION WHEN ORDERING
10	0213648	1		MUST USE SUPERSESSION WHEN ORDERING
11	0213649	2		MUST USE SUPERSESSION WHEN ORDERING
12	0213650	1		MUST USE SUPERSESSION WHEN ORDERING
13	0213651	1		MUST USE SUPERSESSION WHEN ORDERING
14	0213652	1		MUST USE SUPERSESSION WHEN ORDERING
15	0213653	1		MUST USE SUPERSESSION WHEN ORDERING
16	0213654	1		MUST USE SUPERSESSION WHEN ORDERING
17	0213655	1		MUST USE SUPERSESSION WHEN ORDERING
18	0213656	4		MUST USE SUPERSESSION WHEN ORDERING
19	0213657	6		MUST USE SUPERSESSION WHEN ORDERING
20	0213658	1		MUST USE SUPERSESSION WHEN ORDERING
21	0213659	1		MUST USE SUPERSESSION WHEN ORDERING

Ref #	Part Number	Qty	S/P/F	Description
22	0213660	1		MUST USE SUPERSESSION WHEN ORDERING
23	0213661	1		MUST USE SUPERSESSION WHEN ORDERING
24	0213662	2		MUST USE SUPERSESSION WHEN ORDERING
25	0213663	2		MUST USE SUPERSESSION WHEN ORDERING
26	0213664	2		MUST USE SUPERSESSION WHEN ORDERING
27	0213665	4		MUST USE SUPERSESSION WHEN ORDERING
28	0213666	1		MUST USE SUPERSESSION WHEN ORDERING
29	0213667	4		MUST USE SUPERSESSION WHEN ORDERING
30	0213668	1		MUST USE SUPERSESSION WHEN ORDERING
31	0213669	1		MUST USE SUPERSESSION WHEN ORDERING
32	0213670	1		MUST USE SUPERSESSION WHEN ORDERING
33	0213671	1		MUST USE SUPERSESSION WHEN ORDERING
34	0213672	4		MUST USE SUPERSESSION WHEN ORDERING
35	0213673	1		MUST USE SUPERSESSION WHEN ORDERING
36	0213674	1		MUST USE SUPERSESSION WHEN ORDERING
37	0213676	8		MUST USE SUPERSESSION WHEN ORDERING
38	0213677	1		MUST USE SUPERSESSION WHEN ORDERING
39	0213678	1		MUST USE SUPERSESSION WHEN ORDERING
40	0213679	1		MUST USE SUPERSESSION WHEN ORDERING
41	0213680	1		MUST USE SUPERSESSION WHEN ORDERING
42	0213681	1		MUST USE SUPERSESSION WHEN ORDERING

HAC150E/CSA Air Compressor UT-06051  
Compressor

Page 6 of 10

Ref #	Part Number	Qty	S/P/F	Description
43	0213682	1		MUST USE SUPERSESSION WHEN ORDERING
44	0213684	1		MUST USE SUPERSESSION WHEN ORDERING
45	0213675	1		MUST USE SUPERSESSION WHEN ORDERING



HAC150E/CSA Air Compressor UT-06051  
Exploded View

Page 8 of 10

Ref #	Part Number	Qty	S/P/F	Description
1	0213609	5		MUST USE SUPERSESSION WHEN ORDERING
2	0213628	1		MUST USE SUPERSESSION WHEN ORDERING
3	0213629	1		MUST USE SUPERSESSION WHEN ORDERING
4	0213631	1		MUST USE SUPERSESSION WHEN ORDERING
5	0213672	1		MUST USE SUPERSESSION WHEN ORDERING
6	0213674	1		MUST USE SUPERSESSION WHEN ORDERING
7	0213630	1		MUST USE SUPERSESSION WHEN ORDERING
8	0213673	1		MUST USE SUPERSESSION WHEN ORDERING
9	0213682	1		MUST USE SUPERSESSION WHEN ORDERING
10	0213658	1		MUST USE SUPERSESSION WHEN ORDERING
11	0213666	1		MUST USE SUPERSESSION WHEN ORDERING
12	0213678	1		MUST USE SUPERSESSION WHEN ORDERING
13	0213656	4		MUST USE SUPERSESSION WHEN ORDERING
14	0213677	1		MUST USE SUPERSESSION WHEN ORDERING
15	0213648	1		MUST USE SUPERSESSION WHEN ORDERING
16	0213603	1		MUST USE SUPERSESSION WHEN ORDERING
17	0213694	1		MUST USE SUPERSESSION WHEN ORDERING
18	0213691	1		MUST USE SUPERSESSION WHEN ORDERING
20	0213402	1		NLA(NO LONGER AVAILABLE)
21	0213471	1		MUST USE SUPERSESSION WHEN ORDERING
22	0213692	1		MUST USE SUPERSESSION WHEN ORDERING
23	0213510	1		MUST USE SUPERSESSION WHEN ORDERING



HAC150E/CSA Air Compressor UT-06051  
Exploded View

Page 9 of 10

Ref #	Part Number	Qty	S/P/F	Description
25	0213695	1		MUST USE SUPERSESSION WHEN ORDERING
26	0213685	1		MUST USE SUPERSESSION WHEN ORDERING
27	0213617	2		MUST USE SUPERSESSION WHEN ORDERING
28	0213442	1		MUST USE SUPERSESSION WHEN ORDERING
29	0213414	1		MUST USE SUPERSESSION WHEN ORDERING
30	0213447	1		MUST USE SUPERSESSION WHEN ORDERING
31	0213605	1		MUST USE SUPERSESSION WHEN ORDERING
32	0213425	2		MUST USE SUPERSESSION WHEN ORDERING
33	0213416	1		MUST USE SUPERSESSION WHEN ORDERING
34	84010	4	S	Superseded by PS84010
35	JA400266	4		MUST USE SUPERSESSION WHEN ORDERING
36	0213655	1		MUST USE SUPERSESSION WHEN ORDERING
37	0213652	1		MUST USE SUPERSESSION WHEN ORDERING
38	0213627	1		MUST USE SUPERSESSION WHEN ORDERING
39		1		Superseded by UP07217 For engine replacement parts locate the engine brand name, model number, and type number and consult the appropriate dealer in your area.
40	JA400182	4		MUST USE SUPERSESSION WHEN ORDERING
41	83002	5	/P	WASHER
42	840011	4	S	Superseded by UP07173
43	0213720	2		MUST USE SUPERSESSION WHEN ORDERING
44	0213484	3		MUST USE SUPERSESSION WHEN ORDERING
45	0213626	1		MUST USE SUPERSESSION WHEN ORDERING
46	0213615	1		MUST USE SUPERSESSION WHEN ORDERING

HAC150E/CSA Air Compressor UT-06051  
Exploded View

Page 10 of 10

Ref #	Part Number	Qty	S/P/F	Description
47	0213610	2		MUST USE SUPERSESSION WHEN ORDERING
48	0213613	2		MUST USE SUPERSESSION WHEN ORDERING
49	0213607	4		MUST USE SUPERSESSION WHEN ORDERING
50	0213428	4		MUST USE SUPERSESSION WHEN ORDERING
51	83009	4	/P	WASHER, LOCK
52	81053	4		NLA(NO LONGER AVAILABLE)
53	0213604	2		MUST USE SUPERSESSION WHEN ORDERING
54	0213689	1		MUST USE SUPERSESSION WHEN ORDERING
55	0213637	1		MUST USE SUPERSESSION WHEN ORDERING
56	0213469	2		MUST USE SUPERSESSION WHEN ORDERING
57	0213616	1		MUST USE SUPERSESSION WHEN ORDERING
58	0213601	2		MUST USE SUPERSESSION WHEN ORDERING
59	0213520	1		MUST USE SUPERSESSION WHEN ORDERING
60	0213608	3		MUST USE SUPERSESSION WHEN ORDERING
61	0213612	3		MUST USE SUPERSESSION WHEN ORDERING
62	0213524	1		MUST USE SUPERSESSION WHEN ORDERING
63	0213686	1		MUST USE SUPERSESSION WHEN ORDERING
64	0213483	1		MUST USE SUPERSESSION WHEN ORDERING
65	0213693	1		MUST USE SUPERSESSION WHEN ORDERING
66	0213690	2		MUST USE SUPERSESSION WHEN ORDERING