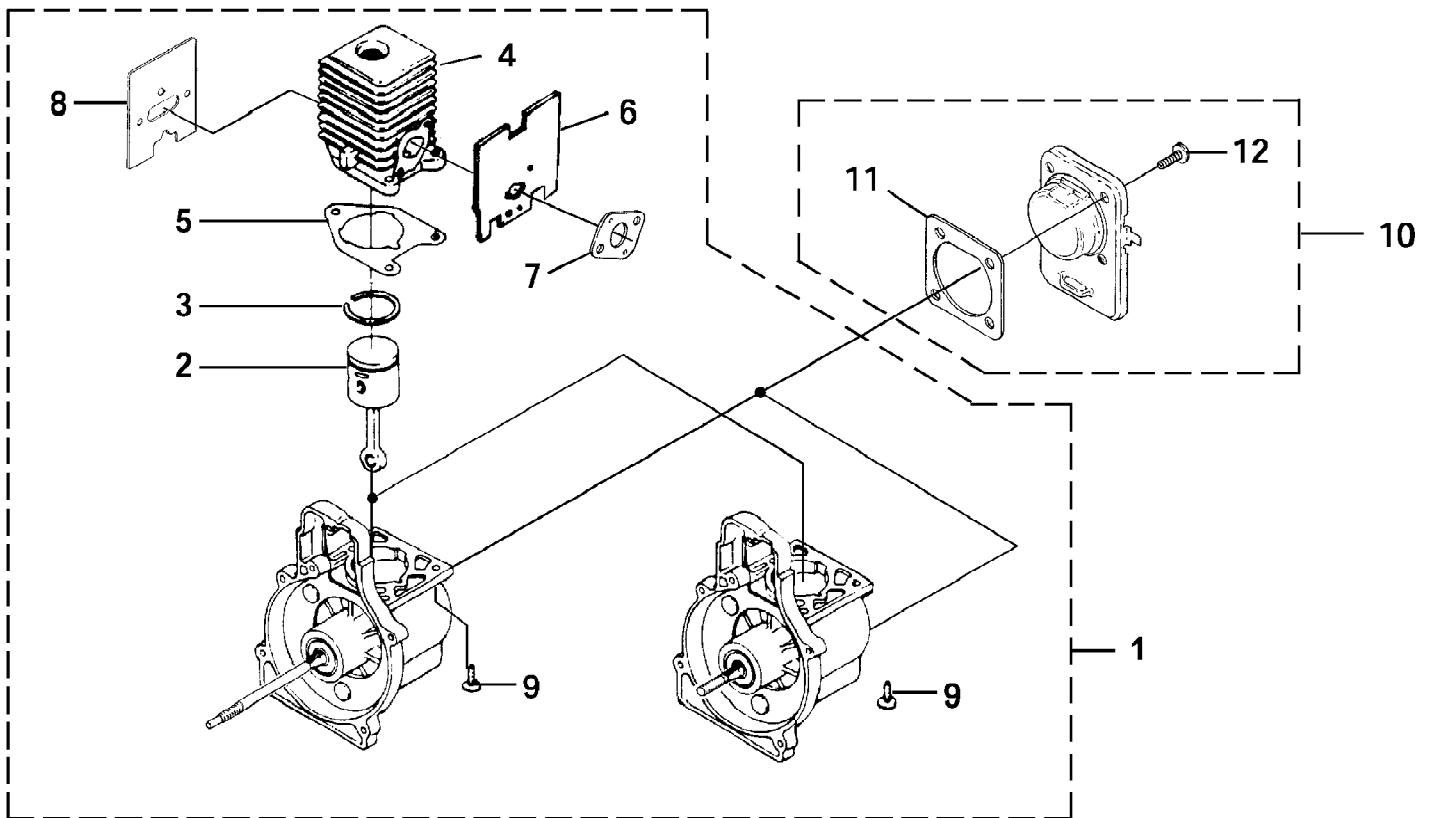


F3050 String Trimmer UT-15179  
Carburetor - Fuel Tank

Page 2 of 10

Ref #	Part Number	Qty	S/P/F	Description
1	UP04308	1	S/P	GASKET-Heat Dam
2	UP04131	2		SCREW-Machine (10-24 X 2 1/4")
3	UP04348	1	S	HEAT DAM
4	UP04140	2	S	SCREW-Sems (10-24 X 1") Torque Specs 35-45 In/Lbs, 4.0-5.1 Nm. Required Loctite Red 262
5	UP00608	1	S	CARBURETOR KIT (UT20777) Includes items 6-8
6	UP03916	1	S	GASKET-Carburetor
7	UP04278	1	/P	Lever-Choke (Zama)
8	A01195A	1	S	Bulb-Primer
9	UP04742	1	S	CARBURETOR KIT (Non Clutch) Includes items 10-12
	UP05085	1	S	CARBURETOR KIT (Clutch) Includes items 10-12
10	UP03916	1	S	GASKET-Carburetor
11	UP04740	1	S	Lever-Choke
12	A01195A	1	S	Bulb-Primer
13	UP00020	1	S	FUEL TANK ASSY. Includes items 14-21
14	UP03871	1	S/P	FILTER-Fuel
15	UP04293	1	S	TUBING-Rubber
16	UP04292	1	S	TUBING-Rubber
17	UP04715	1	S	TUBING-Rubber
18	UP00106	1	/P	FUEL CAP
19	UP03501	3	S	BUMPER-Rubber
20	UP03831	1	S	FITTING-Inline
21	UP03913	1	S	CLAMP

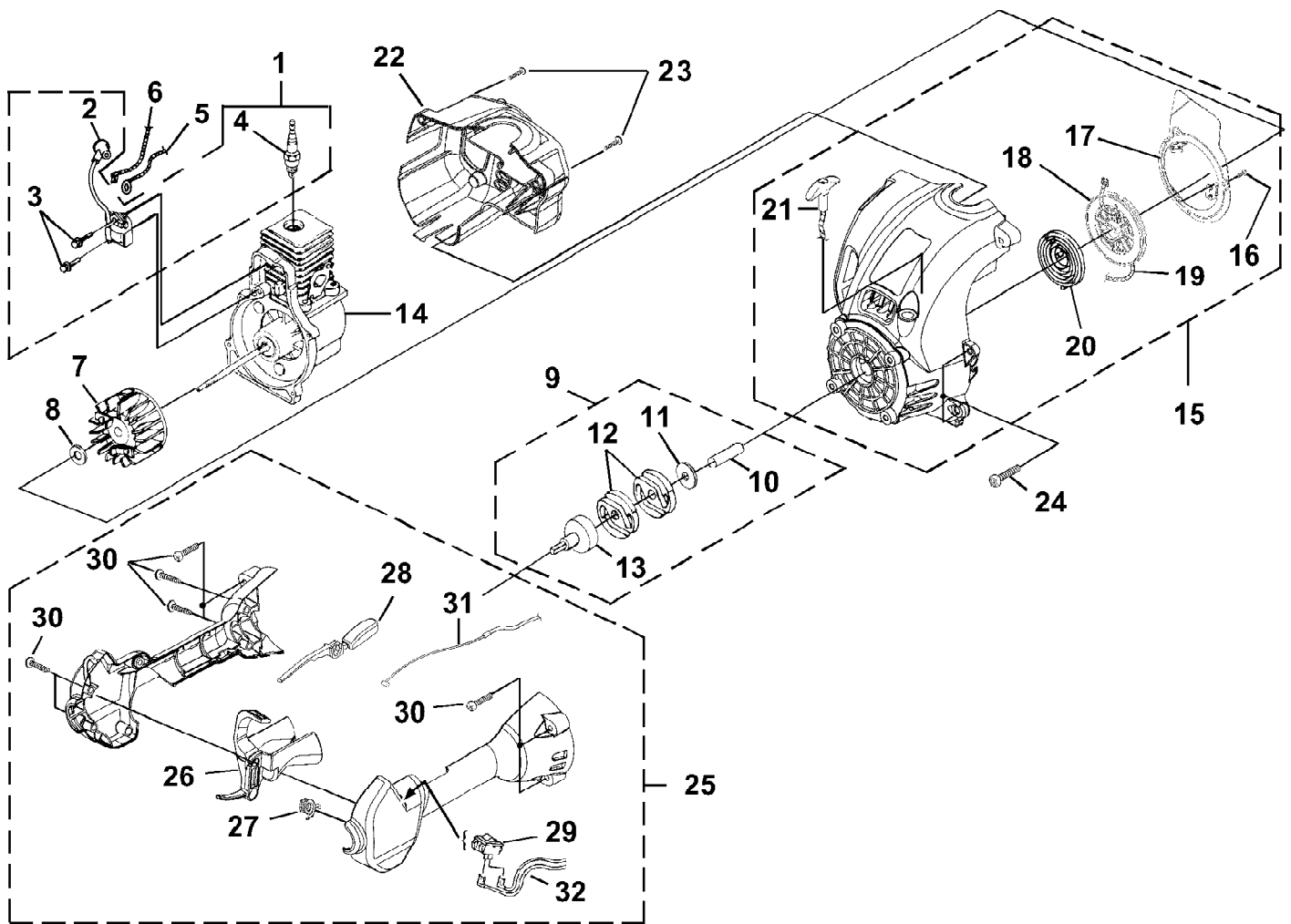


F3050 String Trimmer UT-15179  
Engine Internal

Page 4 of 10

Ref #	Part Number	Qty	S/P/F	Description
1	UP02994	1	S	SHORT BLOCK (Non-Clutch) Includes item 2-9
	UP02995	1	S	SHORT BLOCK (Clutch) Includes item 2-9
2	UP00768	1	S/P	PISTON & ROD ASSY. Includes item 3
3	UP03838	1	S/P	RING-Piston
4	UP04136	1	S	CYLINDER ASSY. Includes item 5-8
5	UP03857	1	S/P	GASKET-Cylinder
6	UP04308	1	S/P	GASKET-Heat Dam
7	UP03916	1	S	GASKET-Carburetor
8	09343	1	/P	GASKET-Muffler
9	UP04345	3	S/P	SCREW-Sems (12-24 X 3/4") Torque Specs 55-65 In/Lbs, 6.2-7.3 Nm. Required Loctite Red 262
10	UP00019	1	S	CRANKCASE COVER ASSEMBLY Includes items 11-12
11	UP04335	1	S	GASKET-Crankcase Cover (Also included w/short block)
12	UP04295	4	S/P	SCREW-Sems (10-24 X 1/2") Torque Specs 35-45 In/Lbs, 4.0-5.1 Nm. Required Loctite Red 262

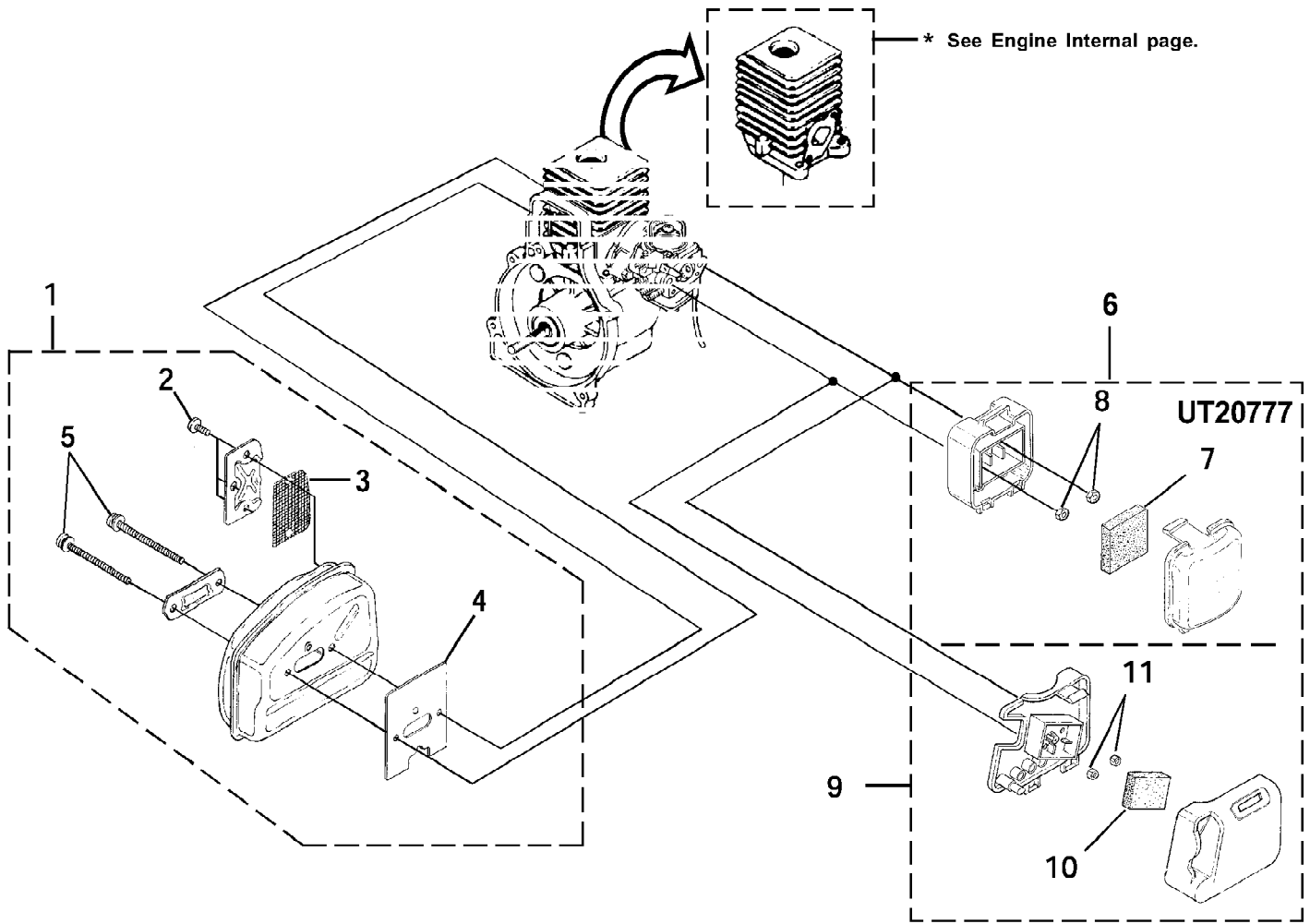
F3050 String Trimmer UT-15179  
Ignition - Rotor - Starter - Clutch



F3050 String Trimmer UT-15179  
Ignition - Rotor - Starter - Clutch

Page 6 of 10

Ref #	Part Number	Qty	S/P/F	Description
1	A07174	1	S	IGNITION KIT Includes items 2-4
2	UP03868	1	S/P	TERMINAL & COVER
3	UP03896	2	S/P	SCREW-Taptite (8-32 X 1") Torque Specs 30-40 In/Lbs, 3.4-4.5 Nm. Required Loctite Blue 242
4	UP03883	1	/P	SPARK PLUG Torque Specs 120-180 In/Lbs, 13.6-20.3 Nm.
5	A06964	1	/P	LEAD-Electrical
6	A06963	1	/P	LEAD-Electrical
7	UP03009	1		ROTOR KIT
8	PS84065	1	S/P	WASHER-Flat
9	UP00034	1	S	CLUTCH AND DRUM KIT Includes items 10-13
10	UP04118	1	/P	SPACER
11	98929A	1	S/P	WASHER-Flat
12	UP04103	2	S	CLUTCH
13	A02727	1	S	CONNECTOR AND DRUM
14	UP02995	1	S	SHORT BLOCK (See "Engine Internal" illustration and parts list)
15	UP02962	1	S	COMPLETE STARTER ASSEMBLY Includes items 16-21
16	82543	3	/P	SCREW-Thread Form (8-16 X 1/2") Torque Specs 10-20 In/Lbs, 1.1-2.3 Nm.
17	UP03013	1	S	BAFFLE-Air
18	UP03012	1	S	PULLEY-Starter
19	UP03912	1	S	ROPE-Starter (42")
20	UP03917	1	S	SPRING & CONTAINER
21	UP03026	1	S	GRIP-Starter (Yellow)
22	UP02965	1		HOUSING-Rear Kit Includes item 23
23	UP03895	2	S	SCREW-Plastite (10-14 X 7/8") Torque Specs 30-50 In/Lbs, 3.4-5.6 Nm.
24	UP03406	4	S	SCREW-Taptite (10-24 X 3/4") Torque Specs 30-40 In/Lbs, 3.4-4.5 Nm.
25	UP03114	1	S/P	CONTROL HANDLE ASSY. Includes items 26-32
26	UP03207	1	S/P	TRIGGER-Throttle Includes item 27
27	UP03210	1	S	SPRING
28	UP03173	1	S	THROTTLE INTERLOCK
29	UP04197	1	S/P	SWITCH
30	UP04247	9	S	SCREW-Taptite (10-14 X 1") Torque Specs 30-50 In/Lbs, 3.4-5.6 Nm.
31	UP03172	1	S	CABLE-Throttle
32	UP03174	1	S	LEAD-Electrical



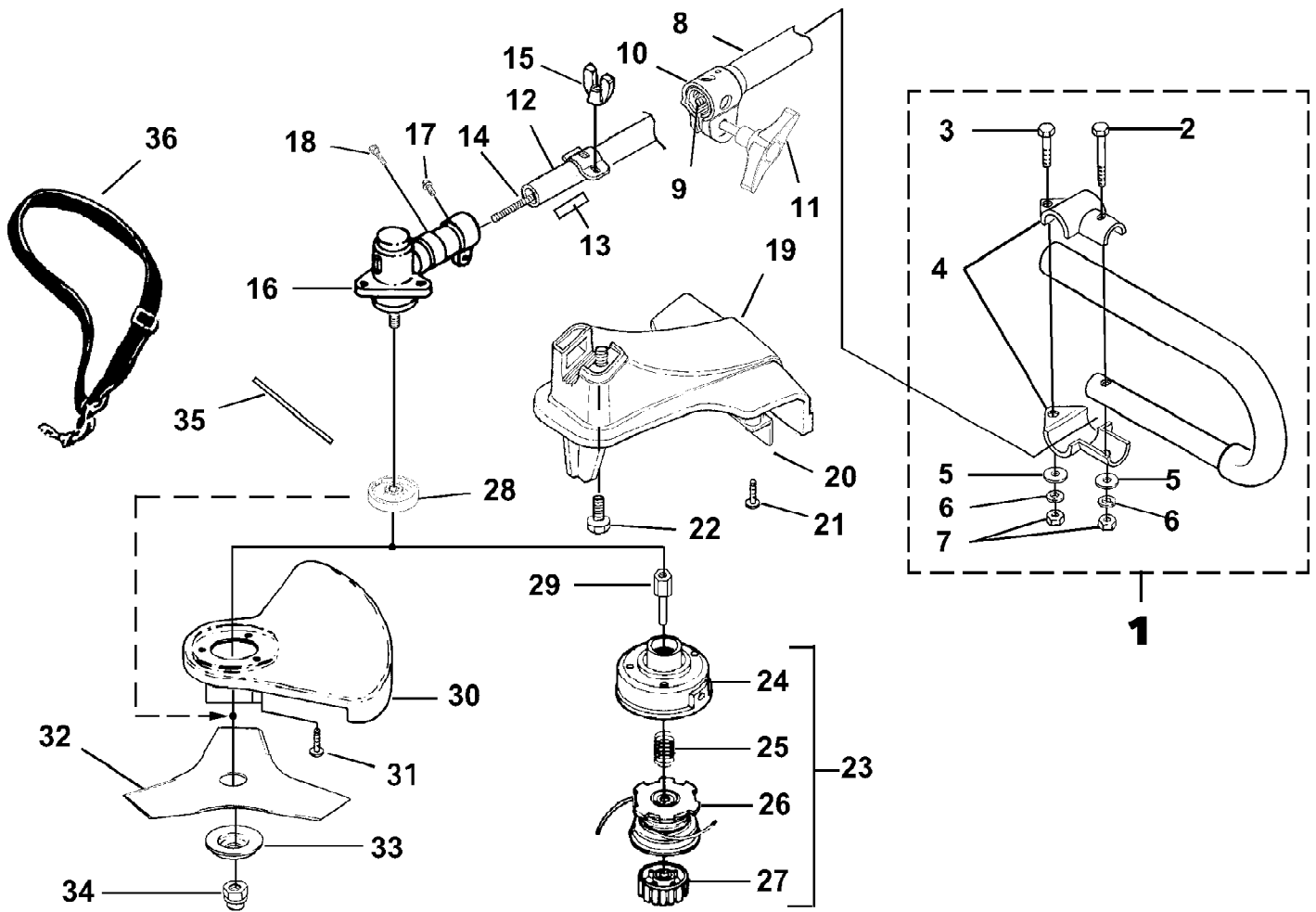
F3050 String Trimmer UT-15179  
Muffler - Air Cleaner

Page 8 of 10

Ref #	Part Number	Qty	S/P/F	Description
1	UP04634	1	S/P	MUFFLER ASSEMBLY Includes items 2-5
2	UP04248	3	S	SCREW, Taptite - (8-32 X 3/8") Torque Specs 25-35 In/Lbs, 2.8-4.0 Nm.
3	UP04629	1	S	SCREEN-Spark
4	UP04710	1	S	GASKET-Muffler
5	88083	2	S/P	SCREW, Truss Hd. - (10-24 X 2.188) Torque Specs 50-60 In/Lbs, 5.6-6.8 Nm.
6	UP00022	1	S	AIR FILTER KIT (UT20777) Includes items 7-8
7	D98760B	1	S	FILTER-AIR
8	UP03885	2	S	NUT-Hex (10-24) Torque Specs 30-40 In/Lbs, 3.4-4.5 Nm.
9	UP05084	1	S	AIR FILTER KIT Includes items 10-11
10	D98760B	1	S	FILTER-AIR
11	UP03885	2	S	NUT-Hex (10-24) Torque Specs 30-40 In/Lbs, 3.4-4.5 Nm.



F3050 String Trimmer UT-15179  
Shaft - Spool & String - Grass Deflector



F3050 String Trimmer UT-15179  
Shaft - Spool & String - Grass Deflector

Page 10 of 10

Ref #	Part Number	Qty	S/P/F	Description
1	A07159	1	S	HANDLE("J") Includes items 2-7
2	UP04154	1	S	SCREW-Hex Hd. (1/4-20 X 1 1/2")
3	UP04158	1	S/P	SCREW-Hex Hd. (1/4-20 X 1")
4	UP04105	2	S	CLAMP-Handle Bar
5	UP04251	2	S/P	WASHER-Flat (1/4")
6	UP03409	2	S/P	WASHER-Lock (1/4")
7	UP03399	2	S	NUT-Hex (1/4-20) Torque Specs 90-100 In/Lbs, 10.2-11.3 Nm.
8	UP05136	1	S	DRIVESHAFT HOUSING (Upper) Includes items 9-11
9	A07667	1	S/P	FLEXSHAFT-w/Collar & Liner
10	UP03839	1	S	COUPLER KIT Includes item 11
11	UP05137	1	S	KNOB
12	UP03956	1	S	DRIVESHAFT HOUSING (Lower) Torque Specs 15-20 In/Lbs, 1.7-2.3 Nm. Includes items 13-14
13	UP04116	1	S/P	DECAL-Warning Torque Specs 40-50 In/Lbs, 4.5-5.6 Nm.
14	UP04369	1	S	SHAFT-Flexible
15	UP04893	1	S	WING NUT
16	UP04124	1	S	GEAR HEAD Includes items 17-18
17	82586	5	/P	Screw, Cap Hd. (1/4-20 X 7/8") Torque Specs 30-50 In/Lbs, 3.4-5.6 Nm.
18	UP04254	2	S/P	Screw-Hex Hd. (10-24 x 1/2")
19	A05086	1		GRASS DEFLECTOR KIT Torque Specs 100-120 In/Lbs, 11.3-13.6 Nm. Includes items 20-22
20	UP04890	1		BLADE-Cut-Off Includes item 21
21	UP03898	2	S	SCREW, Thread Form. (10-24 X 3/4") Torque Specs 40-60 In/Lbs, 4.5-6.8 Nm.
22	UP04892	1	S	SCREW-Square Head
23	DA03174A	1	S/P	STRINGHEAD-Complete (.095") Includes items 24-27
24	A98231A	1	S/P	HOUSING & EYELET (Dual Line)
25	B06713	1	S/P	SPRING-Compression
26	UP00147	1	S/P	SPOOL & STRING (.095")
27	UP00104	1	S/P	RETAINER-Spool (L.H. Thread, Red)
28	UP04126	1	S/P	WASHER-Flanged
29	9855141	1	/P	ADAPTER-Shaft
30	UP05070	1	S/P	BLADE GUARD Includes item 31
31	UP04254	3	S/P	SCREW
32	D98717C	1	S/P	BLADE-Tri-Arc(TM)
33	UP04129	1	S	WASHER-Cupped (Lower)
34	UP04127	1	S	NUT-Hex (L.H.) Torque Specs 100-120 In/Lbs, 11.3-13.6 Nm.
35	UP04100	1	S	TOOL-Holding Pin
36	UP00108	1	S	HARNESS