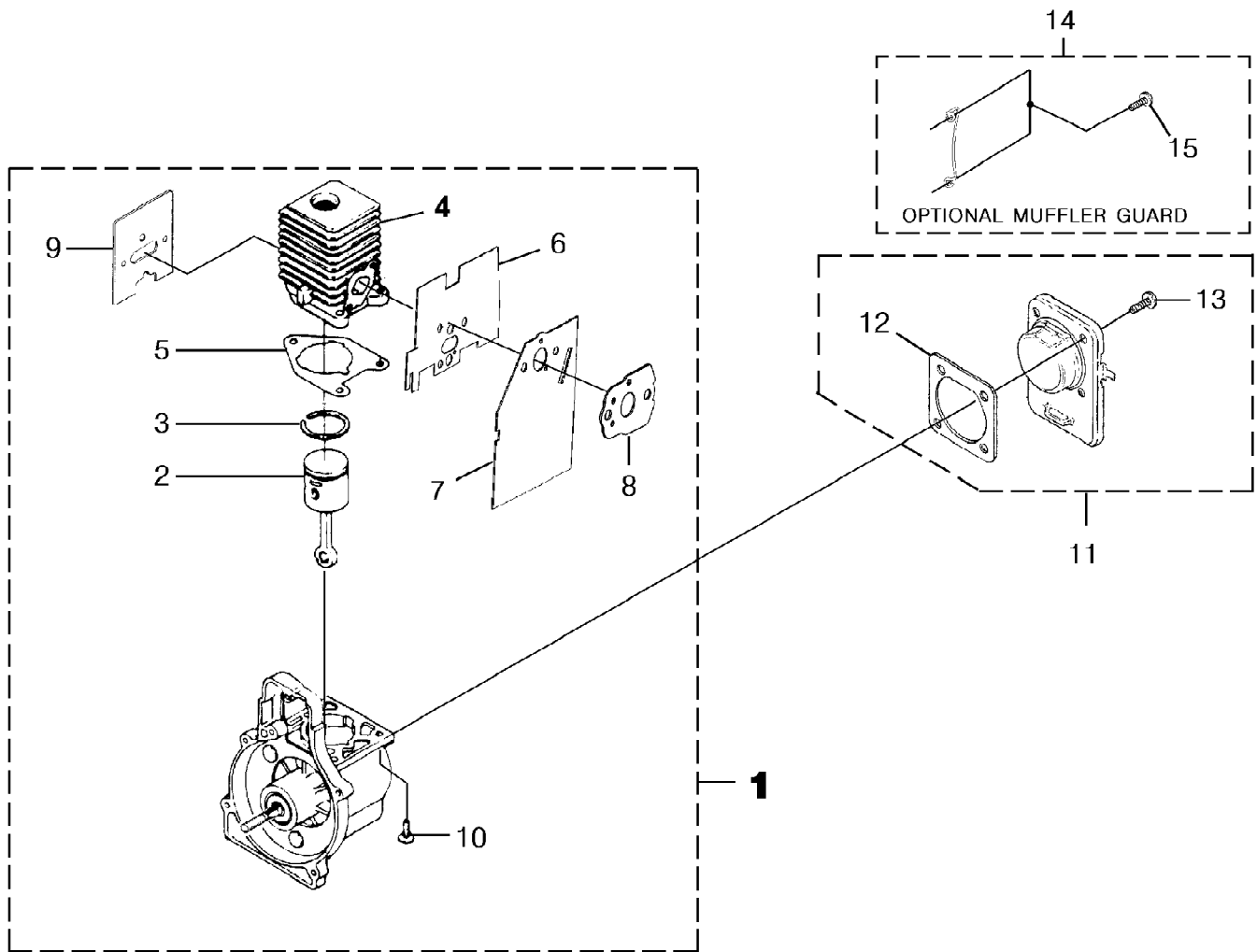


Easy Reach String Trimmer UT-20837
Carburetor - Fuel Tank

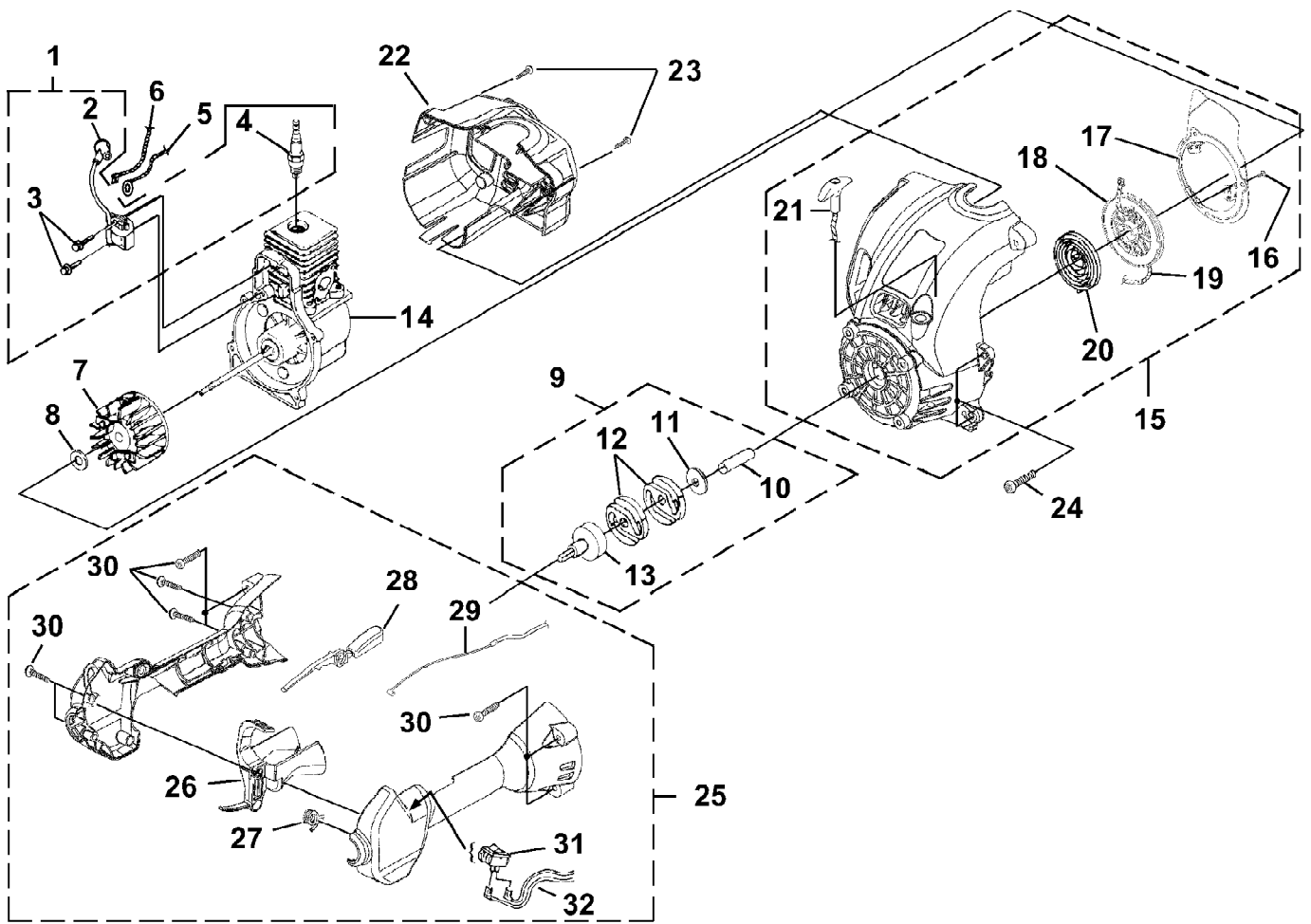
Page 2 of 10

Ref #	Part Number	Qty	S/P/F	Description
1	UP06339	1	S/P	GASKET-Heat Dam to Cylinder
2	UP04307	2	S	SCREW-Shoulder Torque Specs 30-40 In/Lbs; 3.4-4.5 Nm
3	UP06344	1		HEAT DAM Complete Includes item 4
4	UP06337	1		TUBE-Tuned
5	UP04140	3	S	SCREW-Sems (10-24 x 1") Torque Specs 40-50 In/Lbs; 4.5-5.6 Nm; Required Loctite Red 262
6	UP06338	1		ADAPTOR
7	UP06343	1		CARBURETOR KIT (Non Clutch) Includes items 8-10
8	UP06333	1		GASKET-Adaptor to Heat Dam
9	UP06335	1		GASKET-Carburetor to Adaptor
10	UP06342	1		LEVER-Choke
7	UP06825	1	S	CARBURETOR KIT (Clutch) Includes items 8-10
8	UP06333	1		GASKET-Adaptor to Heat Dam
9	UP06335	1		GASKET-Carburetor to Adaptor
10	UP06357	1		LEVER-Choke
11	UP06336	1		TUBE-Rubber
12	UP06692	1		FUEL TANK ASSY. Includes items 13-18
13	UP03871	1	S/P	FILTER-Fuel
14	UP06935	1	S	TUBING-Rubber (5.5")
15	0143929	1		TUBING-Rubber (7.25")
16	UP04708	1	S/P	FUEL CAP
17	UP03501	3	S	BUMPER-Rubber
18	UP03913	1	S	CLAMP



Ref #	Part Number	Qty	S/P/F	Description
1	UP06345	1		SHORT BLOCK (Non-Clutch) Includes items 2-10
	UP07919	1		SHORT BLOCK (Clutch)
2	UP06347	1	S	PISTON & ROD ASSY. Includes item 3
3	UP06346	1	S	RING-Piston
4	UP06348	1		CYLINDER ASSY. Includes items 5-9
5	UP03857	1	S/P	GASKET-Cylinder
6	UP06339	1	S/P	GASKET-Heat Dam to Cylinder
7	UP06333	1		GASKET-Adaptor to Heat Dam
8	UP06335	1		GASKET-Adaptor to Carburetor
9	UP06334	1	S	GASKET-Muffler
10	UP04345	3	S/P	SCREW-Sems (12-24 X 3/4") Torque Specs 55-65 In/Lbs; 6.2-7.3 Nm; Required Loctite Red 262
11	UP00019	1	S	CRANKCASE COVER ASSEMBLY Includes items 12-13
12	UP03862	1	S/P	GASKET-Crankcase Cover (Also included w/short block)
13	UP04295	4	S/P	SCREW-Sems (10-24 X 1/2") Torque Specs 35-45 In/Lbs; 4.0-5.1 Nm; Required Loctite Red 262
14	UP04099	3	/P	MUFFLER GUARD Includes item 15
15	UP03897	2	S	SCREW-Plastite (10-14 X 1/2") Torque Specs 5-20 In/Lbs; .6-2.3 Nm

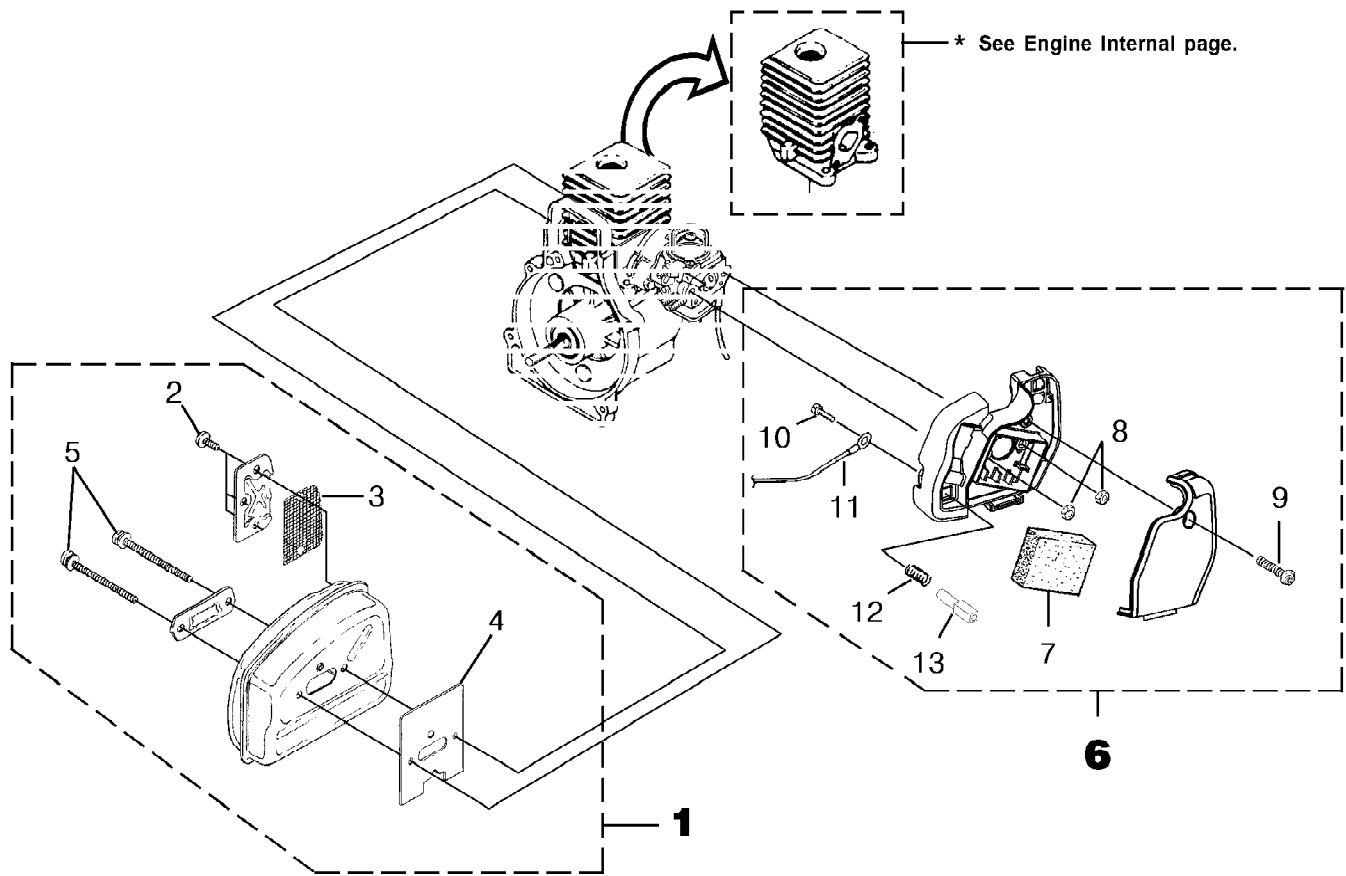
Easy Reach String Trimmer UT-20837
Ignition - Rotor - Starter - Clutch



Easy Reach String Trimmer UT-20837
Ignition - Rotor - Starter - Clutch

Page 6 of 10

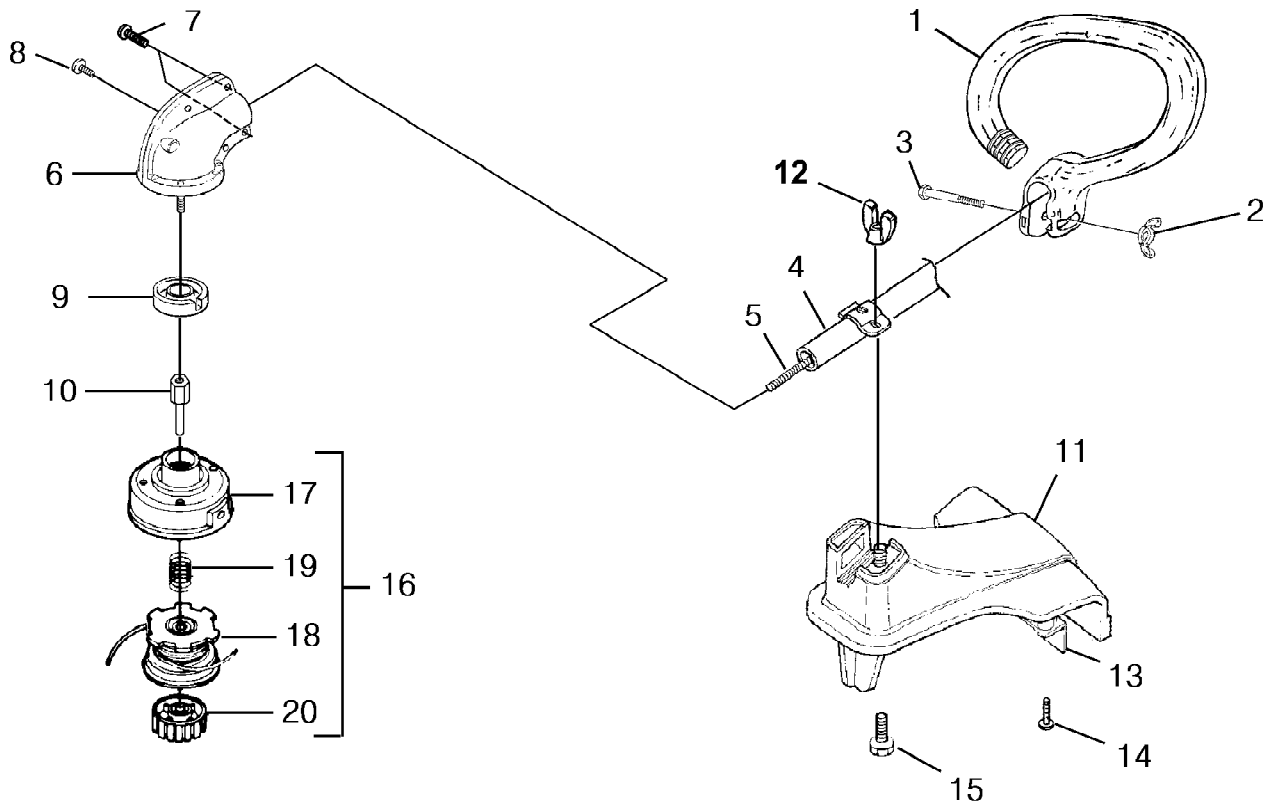
Ref #	Part Number	Qty	S/P/F	Description
1	UP05270	1		IGNITION KIT Includes items 2-4
2	UP03868	1	S/P	TERMINAL & COVER
3	UP03896	2	S/P	SCREW-Taptite (8-32 X 1") Torque Specs 30-40 In/Lbs; 3.4-4.5 Nm; Required Loctite Blue 242
4	UP03883	1	/P	SPARK PLUG Torque Specs 120-180 In/Lbs; 13.6-20.3 Nm
5	UP04537	1	S	LEAD-Electrical
6	UP04536	1	S	LEAD-Electrical
7	UP03009	1		ROTOR KIT
8	UP03906	1	S/P	WASHER-Flat
9	UP00034	1	S	CLUTCH AND DRUM KIT Includes items 10-13
10	UP04118	1	/P	SPACER
11	UP04275	1	S	WASHER-Flat
12	UP04103	2	S	CLUTCH
13	UP04104	1	S/P	CONNECTOR AND DRUM
14	UP07919	1		SHORT BLOCK (See "Engine Internal" illustration & parts list)
15	UP02962	1	S	COMPLETE STARTER ASSEMBLY Includes items 16-21
16	UP06910	3	S	SCREW-Thread Form (8-16 X 1/2") Torque Specs 10-20 In/Lbs; 1.1-2.3 Nm
17	UP06380	1	S	BAFFLE-Air
18	UP03012	1	S	PULLEY-Starter
19	UP03912	1	S	ROPE-Starter (42")
20	UP03917	1	S	SPRING & CONTAINER
21	UP03026	1	S	GRIP-Starter (Yellow)
22	UP02965	1		HOUSING-Rear Kit Includes item 23
23	UP03895	2	S	SCREW-Plastite (10-14 X 7/8") Torque Specs 30-50 In/Lbs; 3.4-5.6 Nm
24	UP03406	4	S	SCREW-Taptite (10-24 X 3/4") Torque Specs 30-40 In/Lbs; 3.4-4.5 Nm
25	UP06755	1	S	CONTROL HANDLE ASSY. Includes items 26-32
26	UP03207	1	S/P	TRIGGER-Throttle Includes item 27
27	UP03210	1	S	SPRING
28	UP03173	1	S	THROTTLE INTERLOCK
29	UP05271	1	S	SWITCH
30	UP04247	9	S	SCREW-Taptite (10-14 X 1") Torque Specs 30-50 In/Lbs; 3.4-5.6 Nm
31	UP03172	1	S	CABLE-Throttle
32	UP03174	1	S	LEAD-Electrical



Easy Reach String Trimmer UT-20837
Muffler - Air Cleaner

Page 8 of 10

Ref #	Part Number	Qty	S/P/F	Description
1	UP06340	1	S	MUFFLER ASSY. Includes items 2-5
2	UP04248	3	S	SCREW, Taptite- (8-32 X 3/8") Torque Specs 25-35 In/Lbs; 2.8-4.0 Nm
3	UP04629	1	S	SCREEN-Spark
4	UP06334	1	S	GASKET-Muffler
5	UP06941	2	S	SCREW, Truss Hd. - (10-24 X 2.188) Torque Specs 50-60 In/Lbs; 5.6-6.8 Nm
6	UP06349	1	S	AIR FILTER KIT Includes items 7-13
7	UP04270	1	S	FILTER-AIR
8	UP03885	2	S	NUT-Hex (10-24) Torque Specs 30-40 In/Lbs; 3.4-4.5 Nm
9	UP04235	1	S	SCREW-Slotted Tr. Hd (8-16 x
10	UP04082	1	S	SCREW-Thread Form (6-19 x 1/2") For Non-Clutch models
11	UP04690	1	S	LEAD-Electrical For Non-Clutch models
12	UP04716	1	S/P	SPRING-Compression For Non-Clutch models
13	UP06341	1	S	BUTTON-Switch For Non-Clutch models



Ref #	Part Number	Qty	S/P/F	Description
1	UP06959	1	S/P	HANDLE-Anti-Vibe Includes items 2-3
2	UP04262	1	S/P	NUT-Wing, Washer Faced (1/4-20) Torque Specs Hand Tight
3	UP06523	1	S/P	SCREW-Cap Hex Hd.
4	UP04891	1	S	DRIVESHAFT ASSY. Includes item 5
5	UP04717	1	S	SHAFT-Flexible
4	UP05071	1	S	DRIVESHAFT ASSY. (UT20832) Includes item 5
5	UP05072	1	S	SHAFT-Flexible
6	UP06970	1	/P	GEARHEAD Includes items 8, 7
8	UP04404	5		Screw, Taptite Hex Hd. (10-24 x 1/2") Torque Specs 40-50 In/Lbs; 4.5-5.6 Nm
7	UP04233	2	S	Screw-Hex Hd. (10-24 x 5/8") Torque Specs 15-20 In/Lbs; 1.7-2.3 Nm
9	UP04126	1	S/P	WASHER-Flanged
10	UP04128	1	S	ADAPTER-Shaft Torque Specs 100-120 In/Lbs; 11.3-13.6 Nm
11	UP04888	1	S	GRASS DEFLECTOR KIT Includes items 12-15
12	UP04893	1	S	WING NUT Torque Specs Hand Tight
13	UP04890	1		BLADE-Cut-off Includes item 14
14	UP03900	2	S/P	SCREW-Plastite. (10-14 X 3/4") Torque Specs 30-40 In/Lbs; 3.4-4.5 Nm
15	UP04892	1	S	SCREW-Square Head Torque Specs 30-40 In/Lbs; 3.4-4.5 Nm
16	DA03001A	1	S/P	STRINGHEAD-Complete (.080") Includes items 17-20
17	UP06567	1	S	HOUSING & EYELET (Dual Line)
18	UP00145	1	S/P	SPOOL & STRING (.080") Includes item 19
19	UP06526	1	S/P	SPRING-Compression
20	UP04273	1	S	RETAINER-Spool (R.H. Thread, Black)