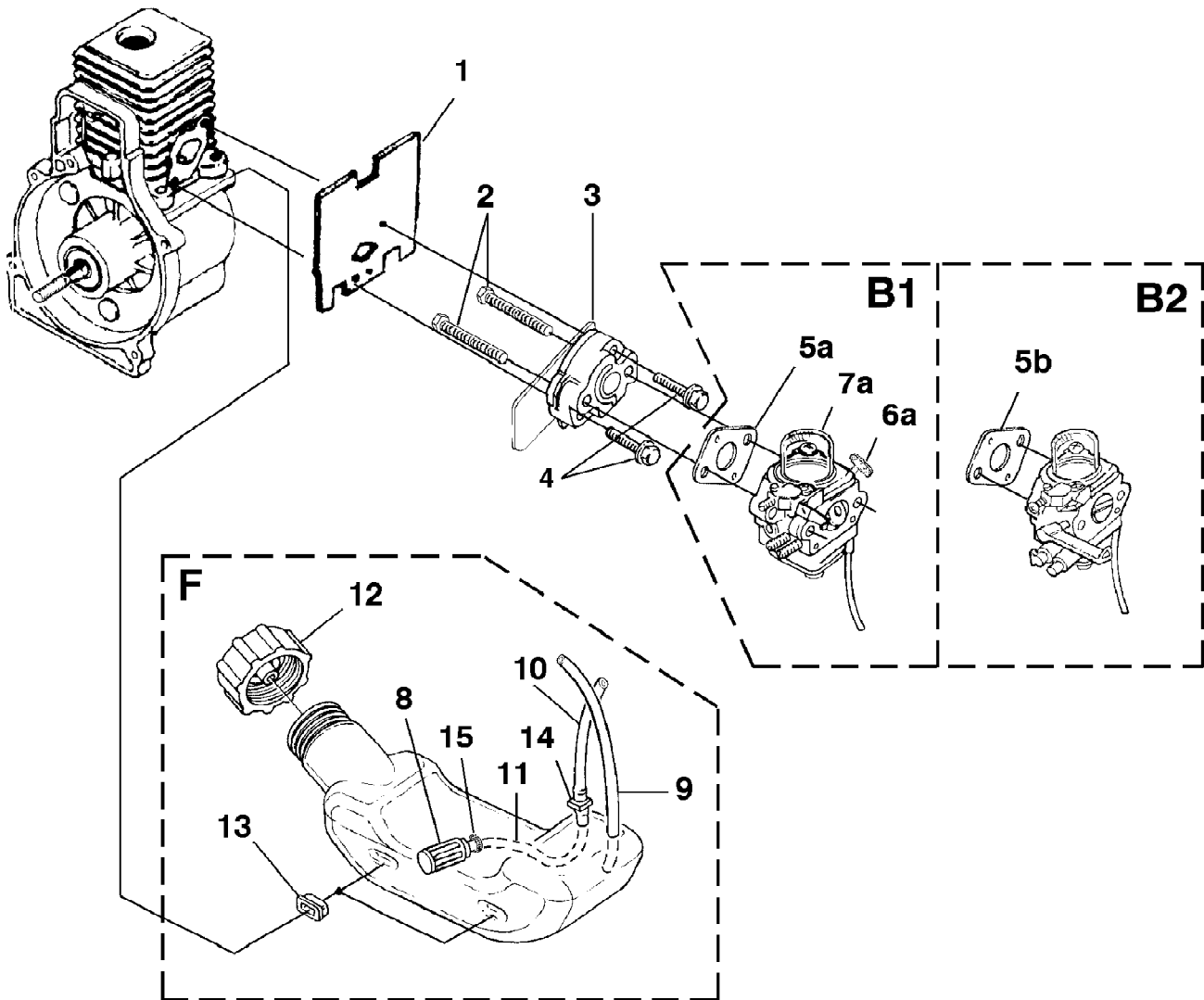


No
Diagram
Available

Parts List
Only

Ref #	Part Number	Qty	S/P/F	Description
	18453	1	/P	GREASE, MULTI-PURPOSE
	PS24306	1	/P	MODULE AIR GAP SHIM
	A04191	1		GRASS ANTI-WRAP KIT
	98052A	1	/P	STARTER ROPE (250 Ft. Reel)
	UP06544	1	/P	TORX BIT (T25) (For Clutch Drums)
	UP07160	1	S/P	TORX BIT (T27)
	JA313164	1		IGNITION TEST SPARK PLUG
	UP05860	1	S/P	RUBBER TUBING (10 Ft.)
	DA03001A	1	S/P	STRINGHEAD-Complete - E-Z Line) (.080 Line) (Right Hand Thread) (Black Retainer)
	9801106	1		REPLACEMENT STRING - E-Z Line) (3 lb. Box) (.080" Dia.)
	DA09364	1	S	STRINGHEAD-Complete-Pro-Cut (TM) Fixed Line Head (.105" Dia.)
	D09365	1	S	REPLACEMENT Dura Line (TM) (.105" Dia.) (Cartridges for Pro-Cut™ Fixed Line Head)
	A06933	1		SAFETY GOGGLES
	UP03036	1	/P	DUST MASK
	UP00108	1	S	COMFORT STRAP

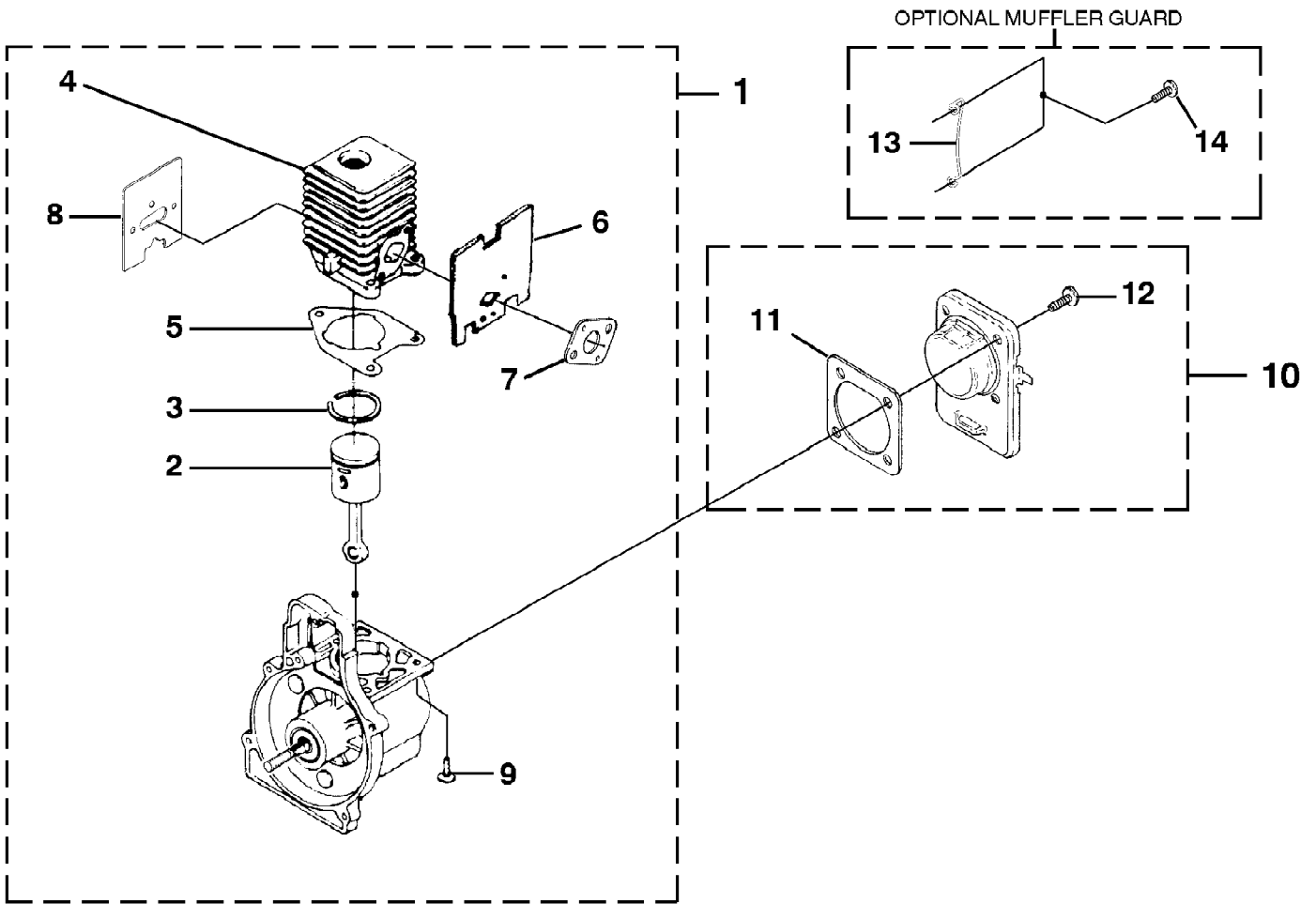


Item No.	Torque Specs		Required Loctite
	In/Lbs	Nm	
4	35-45	4.0-5.1	Red 262

Easy Reach String Trimmer UT-20785
Carburetor - Fuel Tank

Page 4 of 12

Ref #	Part Number	Qty	S/P/F	Description
1	06900A	1	/P	GASKET-Heat Dam
2	04474	2	/P	SCREW-Machine (10-24 X 2 1/4")
3	98768A	1	/P	HEAT DAM
4	093221	2	S/P	SCREW-Sems (10-24 X 1")
B1	UP00608	1	S	CARBURETOR KIT (UT20747, UT20749, UT20750, UT20758, UT20748, UT20820); Includes 5a-7a
5a	98766A	1	S/P	GASKET-Carburetor
6a	UP04278	1	/P	LEVER-Choke (Zama)
7a	UP04803	1	/P	BULB-Primer
B2	984534001	1	/P	CARBURETOR KIT (UT20769, UT20769A, UT20772, UT20772, UT20781, UT20785, UT20771, UT20819)
5b	98766A	1	S/P	GASKET-Carburetor
F	UP00020A	1	S/P	FUEL TANK ASSY. Includes items 8-15
8	PS03380	1	/P	FILTER-Fuel
9	0143918	1	/P	TUBING-Rubber
10	0143910	1	/P	TUBING-Rubber
11	9477213	1	/P	TUBING-Rubber
12	A09116	1	S/P	FUEL CAP
13	98792	3	/P	BUMPER-Rubber
14	07332	1	S/P	FITTING-Inline
15	98268	1	S/P	CLAMP



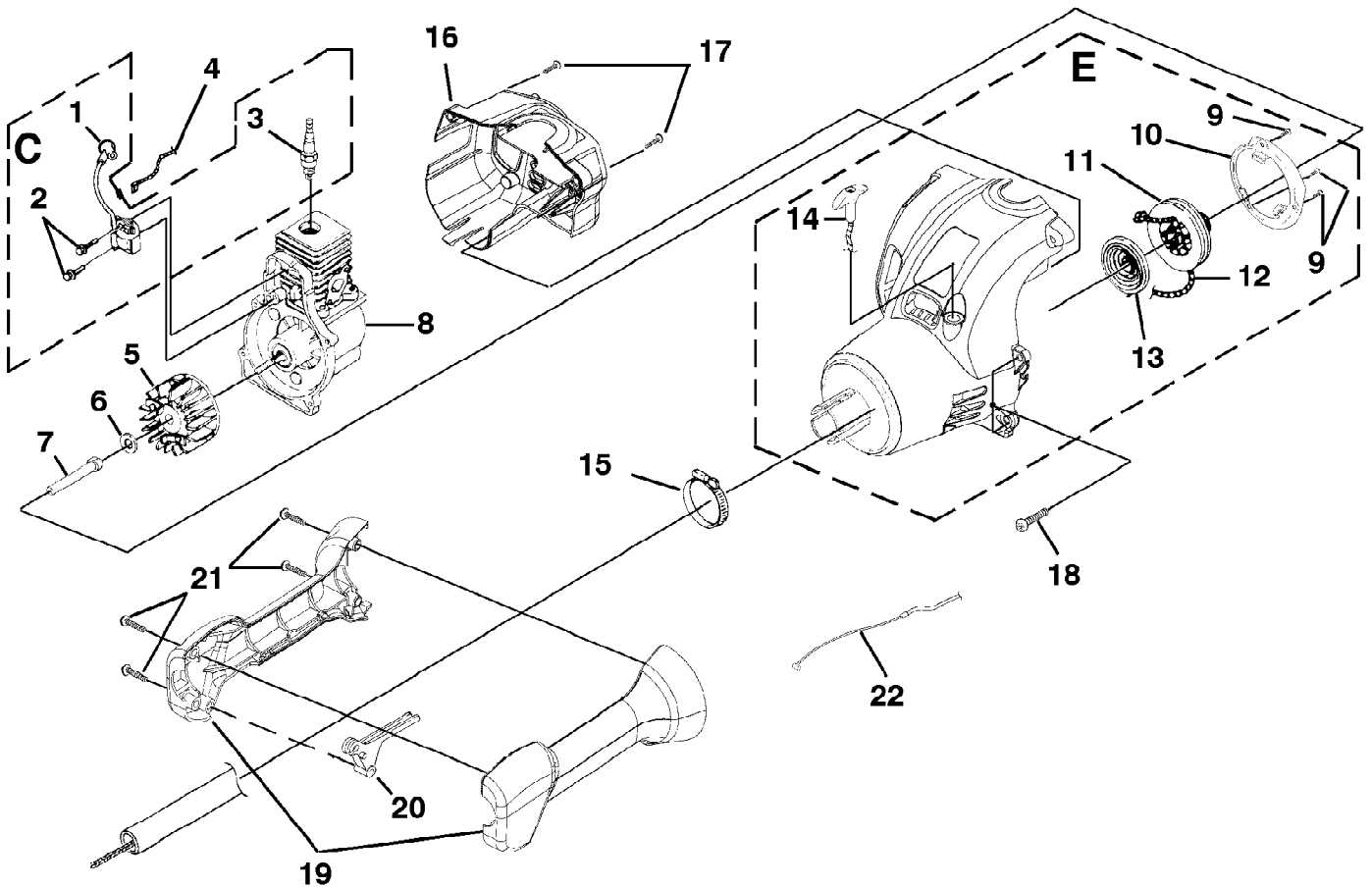
Item No.	Torque Specs		Required Loctite
	In/Lbs	Nm	
9	55-65	6.2-7.3	Red 262
12	35-45	4.0-5.1	Red 262
14	5-20	.6-2.3	

Easy Reach String Trimmer UT-20785
Engine Internal

Page 6 of 12

Ref #	Part Number	Qty	S/P/F	Description
1	984525001	1	/P	SHORT BLOCK Includes items 2-9
2	984544001	1	/P	PISTON & ROD ASSY. Includes item 3
3	PS01359	1	S/P	RING-Piston
4	UP07145A	1	/P	CYLINDER ASSY. Includes items 5-7
5	04388B	1	S/P	GASKET-Cylinder
6	06900A	1	/P	GASKET-Heat Dam
7	98766A	1	S/P	GASKET-Carburetor
8	PS04000	1	/P	GASKET-Muffler
9	PS02807	3	/P	SCREW-Sems (12-24 X 3/4")
10	UP00019A	1	/P	CRANKCASE COVER ASSEMBLY Includes items 11-12
11	08661	1	/P	GASKET-Crankcase Cover (Also Included W/Cylinder Assy.)
12	PS01565	4	/P	SCREW-Sems (10-24 X 1/2")
13	UP04099	1	/P	MUFFLER GUARD Includes item 14
14	82541	2	/P	SCREW-Thread Forming (10-14 X 1/2")

Easy Reach String Trimmer UT-20785
 Ignition - Rotor - Starter



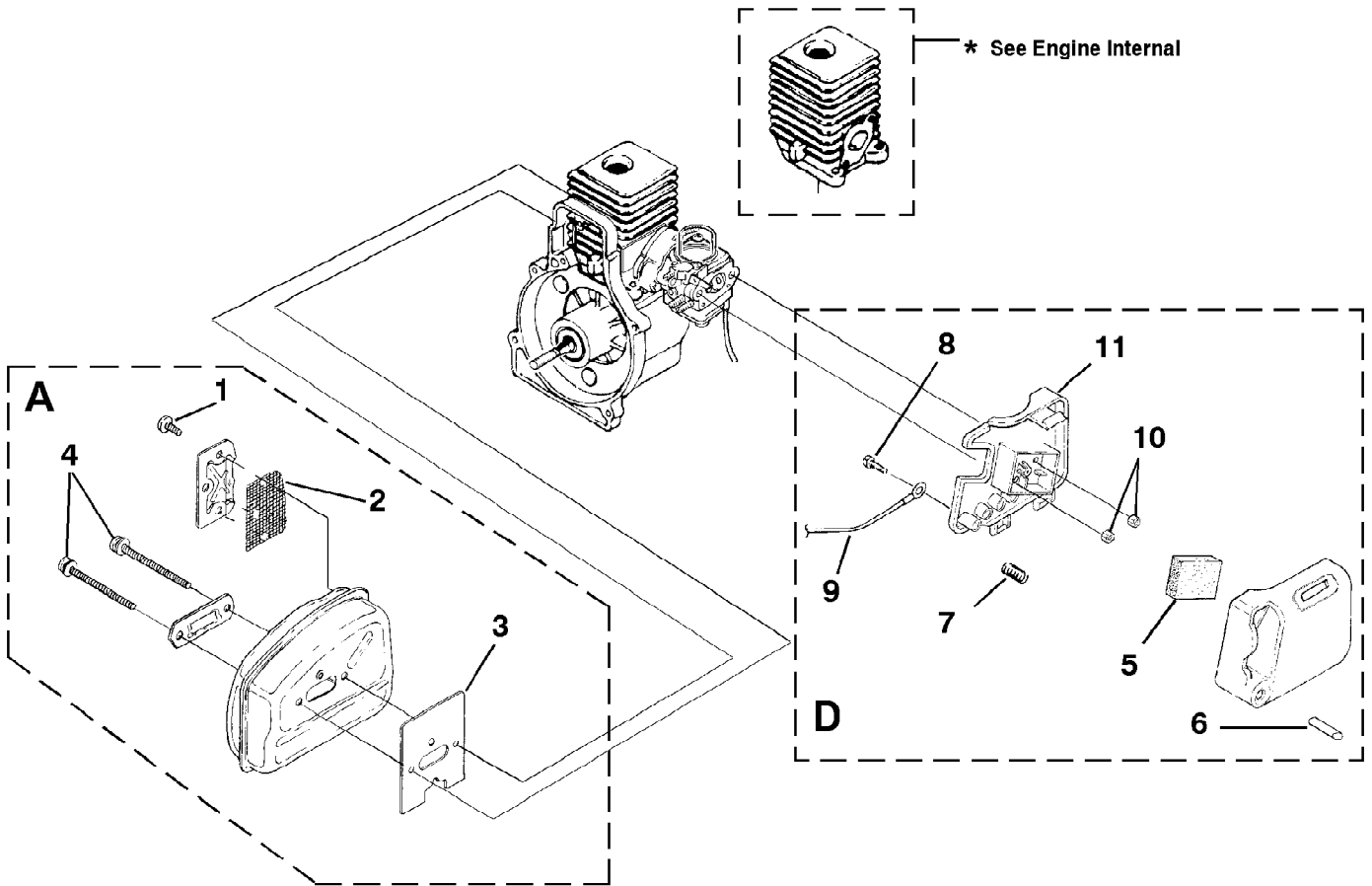
Item No.	Torque Specs		Required Loctite
	In/Lbs	Nm	
2	30-40	3.4-4.5	Blue 242
3	120-180	13.6-20.3	
7	100-150	11.3-16.9	
9	10-20	1.1-2.3	
15	40-50	4.5-5.6	
17	30-50	3.4-5.6	
18	30-40	3.4-4.5	
21	30-50	3.4-5.6	

Easy Reach String Trimmer UT-20785
Ignition - Rotor - Starter

Page 8 of 12

Ref #	Part Number	Qty	S/P/F	Description
C	A07174A	1	S/P	IGNITION KIT Includes items 1-3
1	06504A	1	/P	IGNITION Module
2	82540	2	/P	SCREW-Taptite (8-32 X 1")
3	PS02227	1	S/P	SPARK PLUG
4	A07238	1	/P	LEAD-Electrical
5	984521001	1	S	ROTOR KIT
6	95479A	1	/P	WASHER-Flat
7	98795A	1	/P	CONNECTOR-Drive (.250)
8	984525001	1	/P	SHORT BLOCK (See "Engine Internal")
E	UP04743A	1	/P	COMPLETE STARTER ASSEMBLY Includes items 9-14
9	82543	3	/P	SCREW-Taptite (8-16 X 1/2")
10	PS02040	1	/P	BAFFLE-Air
11	PS01122	1	/P	PULLEY-Starter
12	9789902	1	S/P	ROPE-Starter (42")
13	A98773A	1	S/P	SPRING & CONTAINER
14	5946702	1	S/P	GRIP-Starter
15	PS01611	1	S/P	CLAMP
16	UP02965	1		HOUSING-Rear Kit
17	82537	2	/P	SCREW-Taptite (10-14 X 7/8")
18	82538	4	/P	SCREW-Taptite (10-24 X 3/4")
19	UP03091A	1	/P	CONTROL HANDLE ASSY.
20	088331	1	/P	TRIGGER-Throttle
21	82537	4	/P	SCREW-Taptite (10-14 X 7/8")
22	0883202	1	S/P	CABLE-Throttle

Easy Reach String Trimmer UT-20785
Muffler - Air Cleaner

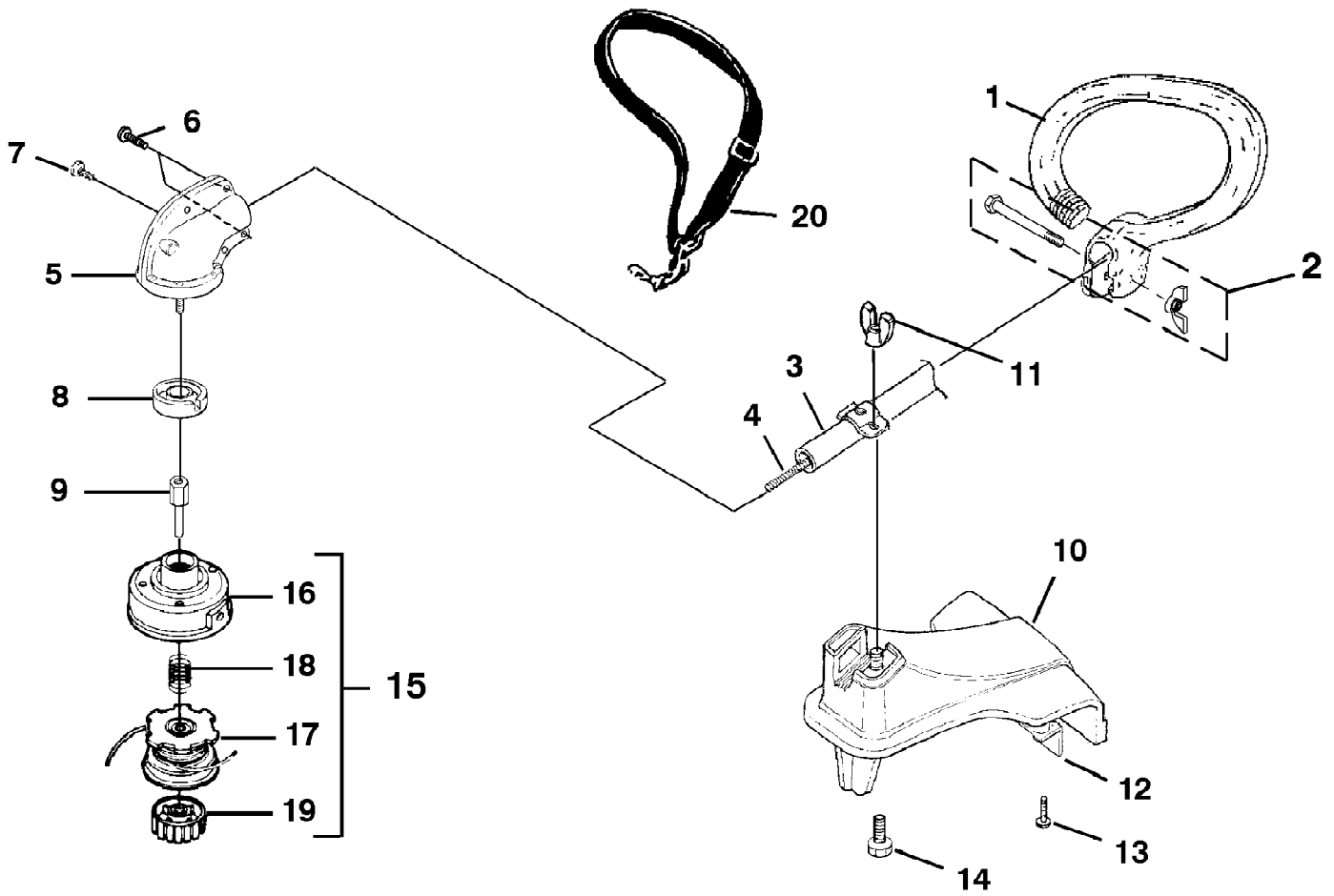


Item No.	Torque Specs		Required Loctite
	In/Lbs	Nm	
1	25-35	2.8-4.0	
4	50-60	5.6-6.8	
8	5-10	.6-1.1	
10	30-40	3.4-4.5	

Easy Reach String Trimmer UT-20785
Muffler - Air Cleaner

Page 10 of 12

Ref #	Part Number	Qty	S/P/F	Description
A	PA01073	1	/P	MUFFLER ASSY. Includes items 1-4
1	82600	3	/P	SCREW, Taptite- (8-32 X 3/8")
2	06502	1	/P	SCREEN-Spark
3	PS04000	1	/P	GASKET-Muffler
4	PS03999	2	/P	SCREW, Truss Hd. - (10-24 X 2.188)
D	UP04741A	1	/P	AIR FILTER KIT Includes items 5-11
5	98760	1	/P	FILTER-Air
6	06618A	1	/P	BUTTON-Switch
7	95020A	1	/P	SPRING-Compression
8	82513	1	/P	SCREW-Thread Form (6-19 x 1/2")
9	A07238	1	/P	LEAD-Electrical
10	81208	2	/P	NUT-Hex (10-24)
11	PS02156	1		COVER AIR BOX



Item No.	Torque Specs		Required Loctite
	In/Lbs	Nm	
2	Hand Tight		
6	38-50	4.3-5.6	
7	40-50	4.5-5.6	
9	120-150	13.6-17.0	
11	Hand Tight		
13	30-40	3.4-4.5	

Easy Reach String Trimmer UT-20785
Shaft - Spool & String - Grass Deflector

Page 12 of 12

Ref #	Part Number	Qty	S/P/F	Description
1	UP06959A	1	S/P	HANDLE-Anti-Vibe Includes item 2
2	PA00249	1	/P	FASTENER PARTS KIT
3	PA00983A	1	S/P	DRIVESHAFT HOUSING ASSY. Includes item 4
4	98818	1	/P	SHAFT-Flexible
5	UP06970A	1		GEARHEAD Includes items 6-9
6	82597	7	S/P	Screw, Taptite Truss Hd. (10-24 x 5/8")
7	PS01605	1	/P	Screw-Truss Hd. (10-24 x 1/2")
8	04168A	1	S/P	WASHER-Flanged
9	04355	1	/P	ADAPTER-Shaft
10	UP04888A	1	/P	GRASS DEFLECTOR KIT Includes items 11-14
11	PS02453	1	/P	WING NUT
12	07129	1	/P	BLADE-Cut-off
13	82546	2	S/P	SCREW-T.F. (8-16 X 5/8")
14	PS02435	1	/P	SCREW-Square Head
15	UP04408	1	S/P	STRINGHEAD-Complete (.080" Line) Includes items 16-19
16	A98231A	1	S/P	HOUSING & EYELET (Dual Line)
17	PA0387A	1	S	SPOOL & STRING (.080" Line)
18	06713	1	/P	SPRING-Compression
19	A98866A	1	S/P	RETAINER-Spool (RH Thread, Black)
20	944701	1	S/P	HARNESS
21	PS05741	1		OPERATOR'S MANUAL (NOT SHOWN)