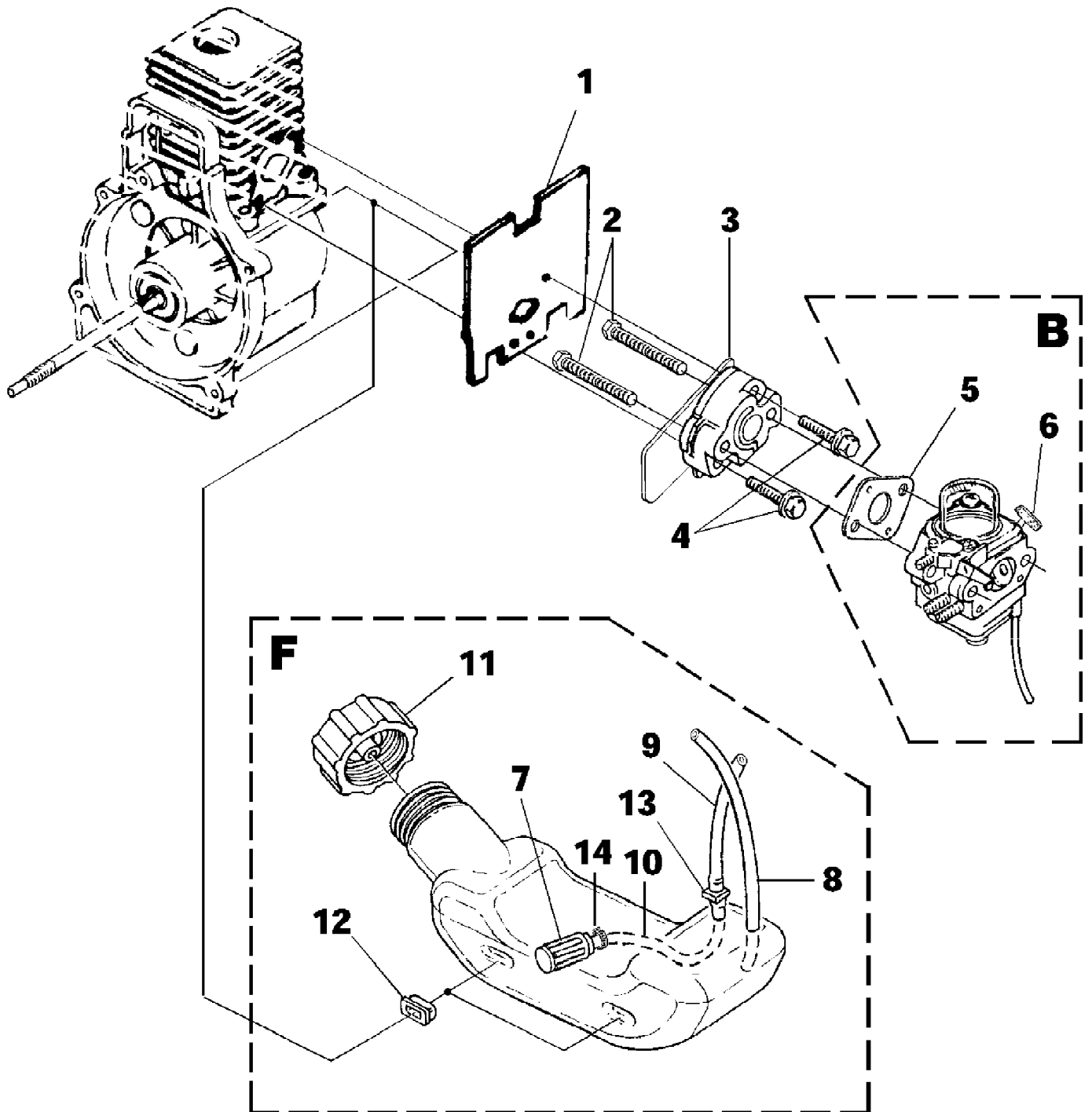


No
Diagram
Available

Parts List
Only

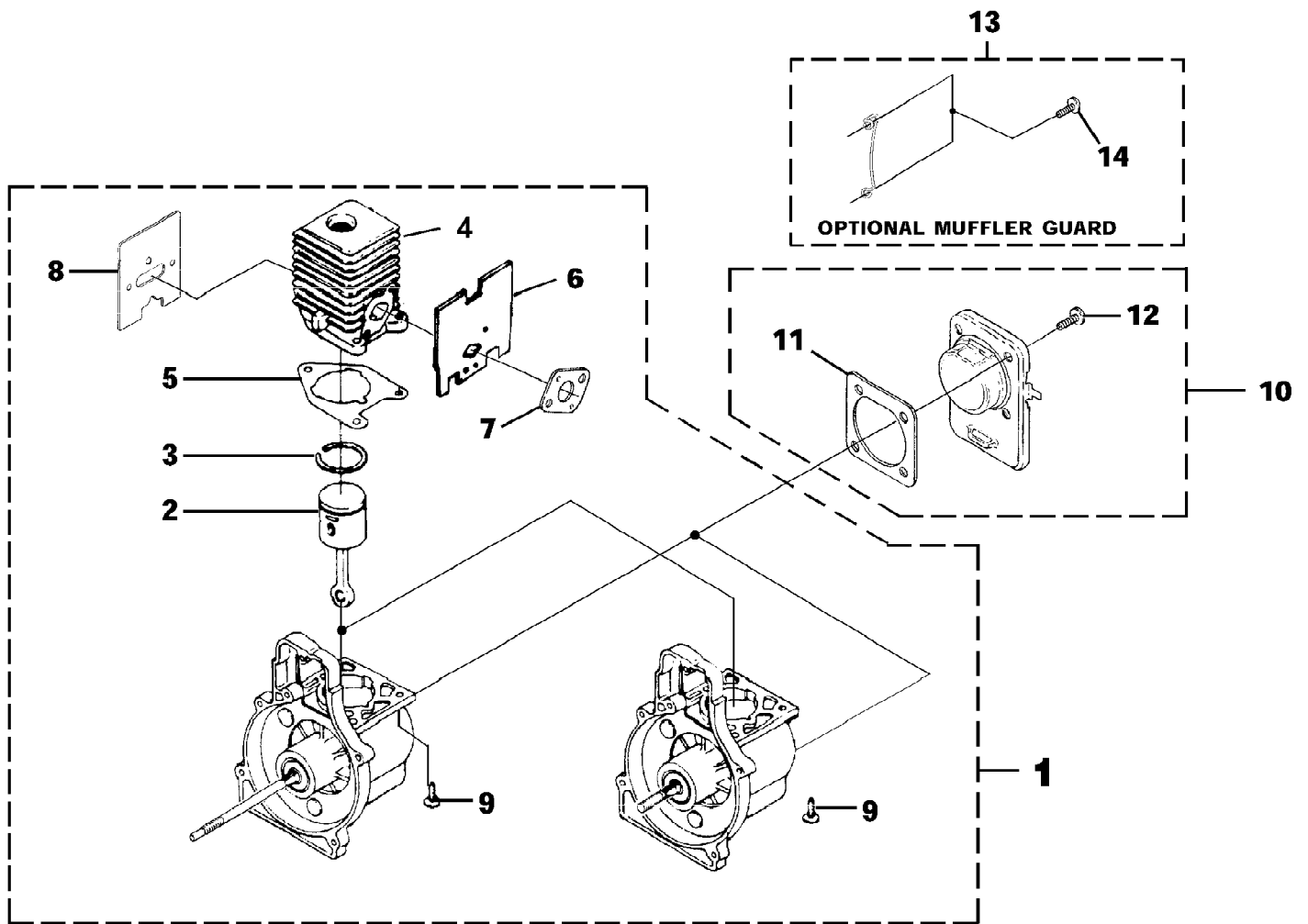
| Ref # | Part Number | Qty | S/P/F | Description |
|-------|-------------|-----|-------|--|
| | 18453 | 1 | /P | GREASE, MULTI-PURPOSE |
| | PS24306 | 1 | /P | MODULE AIR GAP SHIM |
| | A04191 | 1 | | GRASS ANTI-WRAP KIT |
| | 98052A | 1 | /P | STARTER ROPE (250 Ft. Reel) |
| | UP06544 | 1 | /P | TORX BIT (T25) (For Clutch Drums) |
| | UP07160 | 1 | S/P | TORX BIT (T27) |
| | JA313164 | 1 | | IGNITION TEST SPARK PLUG |
| | UP05860 | 1 | S/P | RUBBER TUBING (10 Ft.) |
| | DA03001A | 1 | S/P | STRINGHEAD-Complete - E-Z Line(TM) (.080 Line) (Right Hand Thread) (Black Retainer) |
| | 9801106 | 1 | | REPLACEMENT STRING - E-Z Line(TM) (3 lb. Box) (.080" Dia.) |
| | DA04591A | 1 | S/P | STRINGHEAD-Complete - E-Z Line(TM) (.095 Line) (Right Hand Thread) (Black Retainer) |
| | 0395904 | 1 | | REPLACEMENT STRING - E-Z Line(TM) (3 lb. Box) (.095" Dia.) |
| | DA09364 | 1 | S | STRINGHEAD-Complete-Pro-Cut(TM) Fixed Line Head (.105" Dia.) |
| | D09365 | 1 | S | REPLACEMENT Dura Line(TM) (.105" Dia.) (Cartridges for Pro-Cut(TM) Fixed Line Head) |
| | A06933 | 1 | | SAFETY GOGGLES |
| | UP03036 | 1 | /P | DUST MASK |
| | UP00108 | 1 | S | COMFORT STRAP |
| | D98717C | 1 | S/P | TRI-ARC(TM) BLADE FOR USE ON BRUSHCUTTER UNITS ONLY |



Easy Reach String Trimmer UT-20730
Carburetor - Fuel Tank

Page 4 of 12

| Ref # | Part Number | Qty | S/P/F | Description |
|-------|-------------|-----|-------|---|
| 1 | UP04308 | 1 | S/P | GASKET-Heat Dam |
| 2 | UP04131 | 2 | | SCREW-Machine (10-24 X 2 1/4") |
| 3 | UP04348 | 1 | S | HEAT DAM |
| 4 | UP04140 | 2 | S | SCREW-Sems (10-24 X 1") Torque Specs 35-45 In/Lbs, 4.0-5.1 Nm. Required Loctite Red 262 |
| B | UP00608 | 1 | S | CARBURETOR KIT (Non-Clutch) Includes items 5-6 |
| | UP00654 | 1 | /P | CARBURETOR KIT (Clutch) Includes items 5-6 |
| 5 | UP03916 | 1 | S | GASKET-Carburetor |
| 6 | UP04278 | 1 | /P | Lever-Choke (Zama) |
| F | UP00020 | 1 | S | FUEL TANK ASSY. Includes items 7-14 |
| 7 | UP03871 | 1 | S/P | FILTER-Fuel |
| 8 | UP04293 | 1 | S | TUBING-Rubber |
| 9 | UP04292 | 1 | S | TUBING-Rubber |
| 10 | UP04715 | 1 | S | TUBING-Rubber |
| 11 | UP00106 | 1 | /P | FUEL CAP |
| 12 | UP03501 | 3 | S | BUMPER-Rubber |
| 13 | UP03831 | 1 | S | FITTING-Inline |
| 14 | UP03913 | 1 | S | CLAMP |

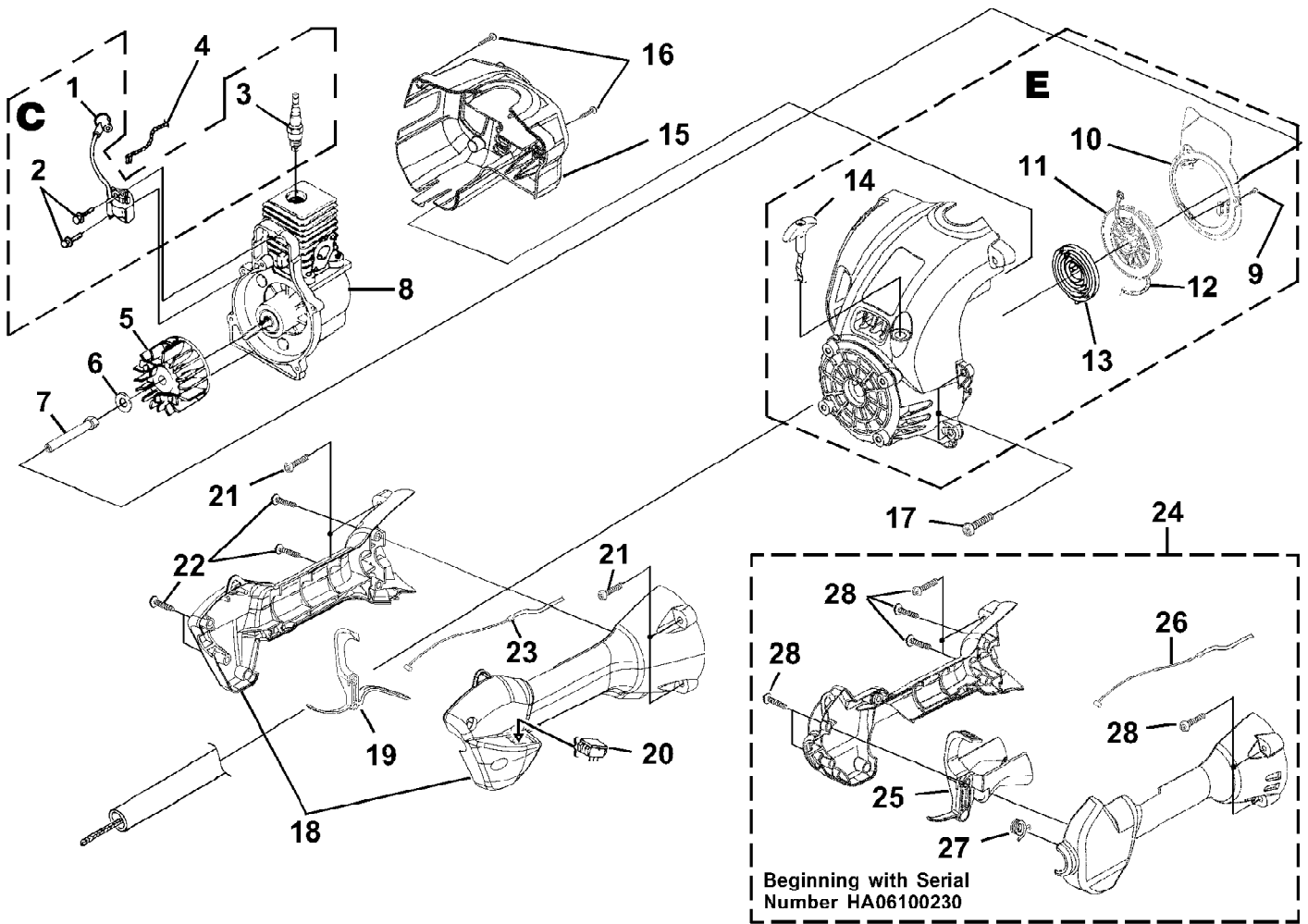


Easy Reach String Trimmer UT-20730
Engine Internal

Page 6 of 12

| Ref # | Part Number | Qty | S/P/F | Description |
|-------|-------------|-----|-------|---|
| 1 | UP02994 | 1 | S | SHORT BLOCK (Non-Clutch) Includes items 2-9 |
| | UP02995 | 1 | S | SHORT BLOCK (Clutch) Includes items 2-9 |
| 2 | UP00768 | 1 | S/P | PISTON & ROD ASSY. Includes item 3 |
| 3 | PS01359 | 1 | S/P | RING-Piston |
| 4 | UP04136 | 1 | S | CYLINDER ASSY. Includes items 5-8 |
| 5 | UP03857 | 1 | S/P | GASKET-Cylinder |
| 6 | UP04308 | 1 | S/P | GASKET-Heat Dam |
| 7 | UP03916 | 1 | S | GASKET-Carburetor |
| 8 | UP04710 | 1 | S | GASKET-Muffler |
| 9 | UP04345 | 3 | S/P | SCREW-Sems (12-24 X 3/4") Torque Specs 55-65 In/Lbs, 6.2-7.3 Nm. Required Loctite Red 262 |
| 10 | UP00019 | 1 | S | CRANKCASE COVER ASSEMBLY Includes items 11-12 |
| 11 | UP04335 | 1 | S | GASKET-Crankcase Cover (Also included w/short block) |
| 12 | UP04295 | 4 | S/P | SCREW-Sems (10-24 X 1/2") Torque Specs 35-45 In/Lbs, 4.0-5.1 Nm. Required Loctite Red 262 |
| 13 | UP00027 | 3 | S | MUFFLER GUARD Includes item 14 |
| 14 | UP03897 | 2 | S | SCREW-Plastite (10-14 X 1/2") Torque Specs 5-20 In/Lbs, .6-2.3 Nm. |

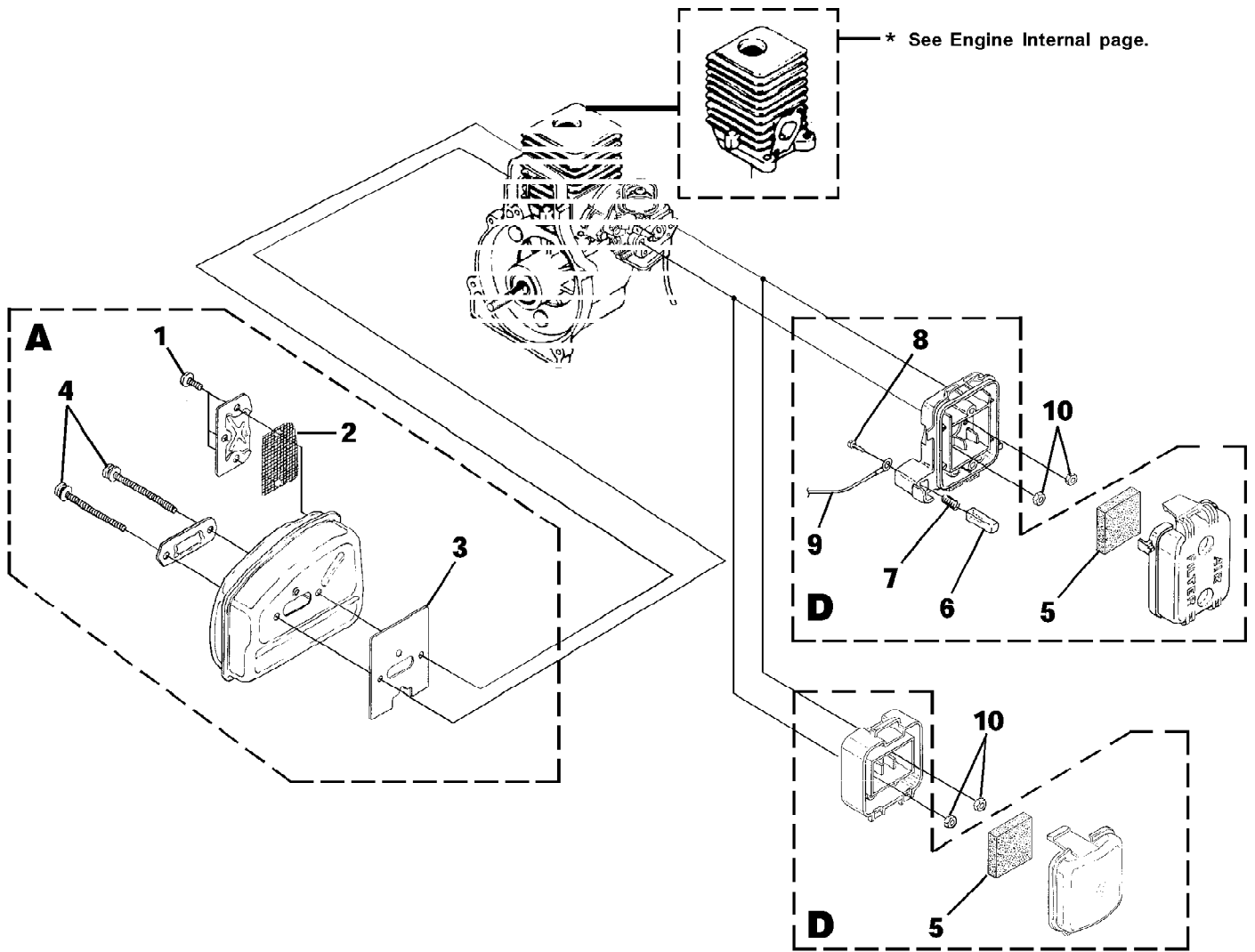
Easy Reach String Trimmer UT-20730
Ignition - Rotor - Starter



Easy Reach String Trimmer UT-20730
Ignition - Rotor - Starter

Page 8 of 12

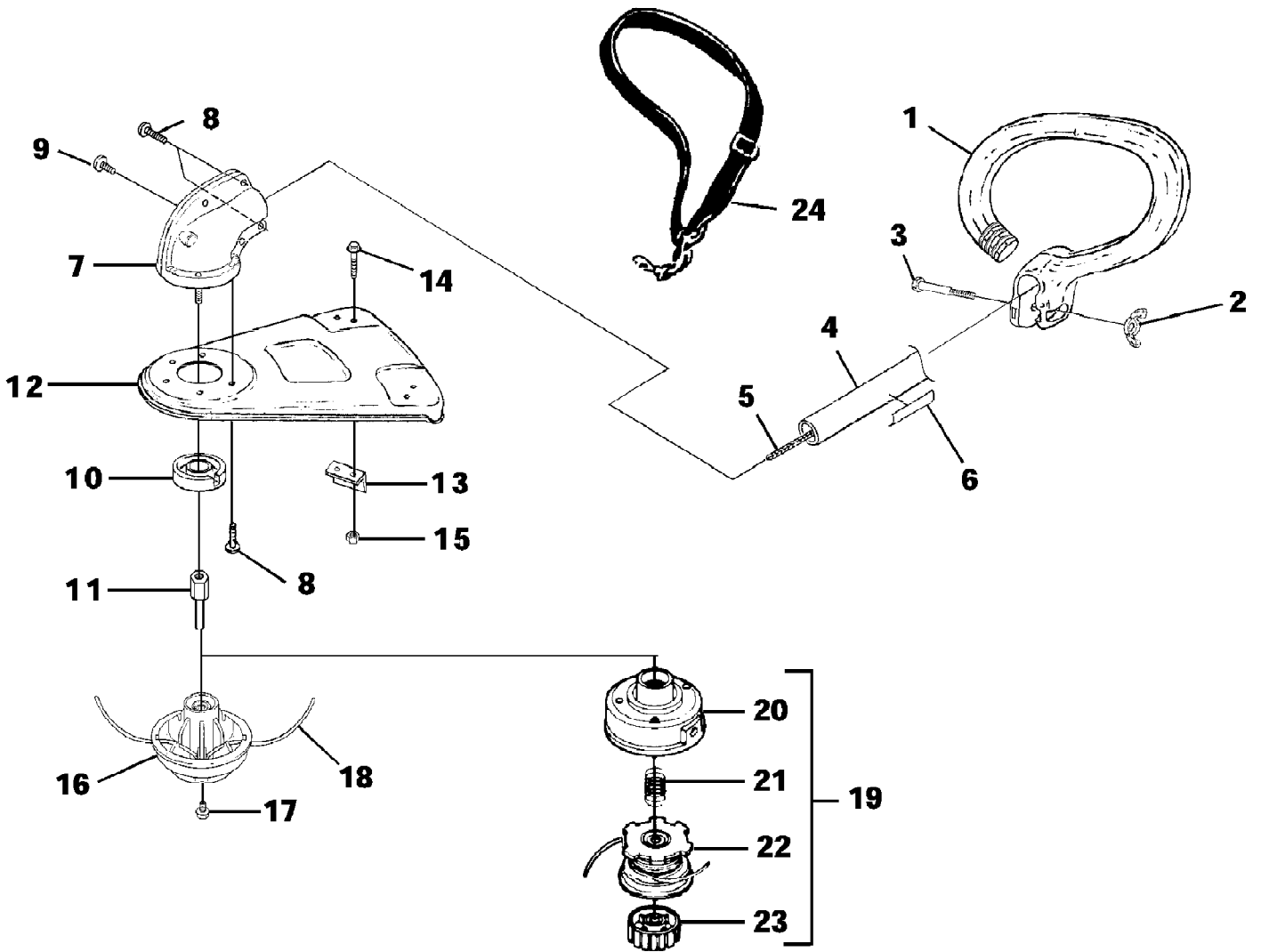
| Ref # | Part Number | Qty | S/P/F | Description |
|-------|-------------|-----|-------|--|
| C | A07174 | 1 | S | IGNITION KIT Includes items 1-3 |
| 1 | UP03868 | 1 | S/P | TERMINAL & COVER |
| 2 | UP03896 | 2 | S/P | SCREW-Taptite (8-32 X 1") Torque Specs 30-40 In/Lbs, 3.4-4.5 Nm. Required Loctite Blue 242 |
| 3 | UP03883 | 1 | /P | SPARK PLUG Torque Specs 120-180 In/Lbs, 13.6-20.3 Nm. |
| 4 | UP04690 | 1 | S | LEAD-Electrical |
| 5 | UP03009 | 1 | | ROTOR KIT Includes item 6 |
| 6 | UP03906 | 1 | S/P | WASHER-Flat |
| 7 | UP04271 | 1 | S | CONNECTOR-Drive (.250) Torque Specs 100-150 In/Lbs, 11.3-16.9 Nm. |
| 8 | UP02994 | 1 | S | SHORT BLOCK (See "Engine Internal" illustration and parts list) |
| E | UP02962 | 1 | S | COMPLETE STARTER ASSEMBLY Includes items 9-14 |
| 9 | UP04164 | 3 | S | SCREW-Thread Form (8-16 X 1/2") Torque Specs 10-20 In/Lbs, 1.1-2.3 Nm. |
| 10 | UP03013 | 1 | S | BAFFLE-Air |
| 11 | UP03012 | 1 | S | PULLEY-Starter |
| 12 | UP03912 | 1 | S | ROPE-Starter (42") |
| 13 | UP03917 | 1 | S | SPRING & CONTAINER |
| 14 | UP03026 | 1 | S | GRIP-Starter (Yellow) |
| 15 | UP02965 | 1 | | HOUSING-Rear Kit Includes item 16 |
| 16 | UP03895 | 2 | S | SCREW-Taptite (10-14 X 7/8") Torque Specs 30-50 In/Lbs, 3.4-5.6 Nm. |
| 17 | UP03406 | 4 | S | SCREW-Taptite (10-24 X 3/4") Torque Specs 30-40 In/Lbs, 3.4-4.5 Nm. |
| 18 | UP03113 | 1 | /P | CONTROL HANDLE ASSY. Includes items 19-22 |
| 19 | UP03015 | 1 | S/P | TRIGGER-Throttle |
| 20 | UP03027 | 1 | S | PLUG-Switch |
| 21 | UP03895 | 4 | S | SCREW-Taptite (10-14 X 7/8") Torque Specs 30-50 In/Lbs, 3.4-5.6 Nm. |
| 22 | UP04247 | 4 | S | SCREW-Truss Hd. (10-14 x 1") Torque Specs 30-50 In/Lbs, 3.4-5.6 Nm. |
| 23 | UP03020 | 1 | S | CABLE-Throttle Includes item 28 |
| 28 | UP04247 | 9 | S | SCREW-Truss Hd. (10-14 x 1") |
| 24 | UP03113 | 1 | /P | CONTROL HANDLE ASSY. Includes items 25-28 |
| 25 | UP03207 | 1 | S/P | TRIGGER |
| 26 | UP03172 | 1 | S | CABLE-Throttle |
| 27 | UP03210 | 1 | S | SPRING |
| 28 | UP04247 | 9 | S | SCREW-Truss Hd. (10-14 x 1") Torque Specs 30-50 In/Lbs, 3.4-5.6 Nm. |



Easy Reach String Trimmer UT-20730
Muffler - Air Cleaner

Page 10 of 12

| Ref # | Part Number | Qty | S/P/F | Description |
|-------|-------------|-----|-------|---|
| A | UP04634 | 1 | S/P | MUFFLER ASSY. Includes items 1-4 |
| 1 | UP04248 | 3 | S | SCREW, Taptite- (8-32 X 3/8") Torque Specs 25-35 In/Lbs, 2.8-4.0 Nm. |
| 2 | UP04629 | 1 | S | SCREEN-Spark |
| 3 | UP04710 | 1 | S | GASKET-Muffler |
| 4 | UP04258 | 2 | S | SCREW, Truss Hd. - (10-24 X 2.188) Torque Specs 50-60 In/Lbs, 5.6-6.8 Nm. |
| D | A04707A | 1 | /P | AIR FILTER KIT (Non-Clutch) Includes items 5-10 |
| 5 | D98760B | 1 | S | FILTER-Air |
| 6 | UP06341 | 1 | S | BUTTON-Switch |
| 7 | UP04716 | 1 | S/P | SPRING-Compression |
| 8 | UP04082 | 1 | S | SCREW-Thread Form (6-19 x 1/2") Torque Specs 5-10 In/Lbs, .6-1.1 Nm. |
| 9 | UP04690 | 1 | S | LEAD-Electrical |
| 10 | UP03885 | 2 | S | NUT-Hex (10-24) Torque Specs 30-40 In/Lbs, 3.4-4.5 Nm. |
| D | UP00022 | 1 | S | AIR FILTER KIT (Clutch) Includes items 5 & 10 |
| 5 | D98760B | 1 | S | FILTER-AIR |
| 10 | UP03885 | 2 | S | NUT-Hex (10-24) Torque Specs 30-40 In/Lbs, 3.4-4.5 Nm. |



| Ref # | Part Number | Qty | S/P/F | Description |
|-------|-------------|-----|-------|---|
| 1 | UP06959 | 1 | S/P | HANDLE-Anti-Vibe Includes items 2-3 |
| 2 | UP04262 | 1 | S/P | NUT-Wing, Washer Faced (1/4-20) Torque Specs 5-25 In/Lbs, .6-2.8 Nm. |
| 3 | UP06523 | 1 | S/P | SCREW-Cap Hex Hd. (1/4-20 x 2") |
| 4 | UP02968 | 1 | S | DRIVESHAFT HOUSING ASSY. Includes items 5-6 |
| 5 | UP04717 | 1 | S | SHAFT-Flexible |
| 6 | UP04352 | 1 | S/P | DECAL-Warning |
| 7 | UP06970 | 1 | /P | GEARHEAD Includes items 8-9 |
| 8 | UP04157 | 5 | S/P | Screw, Taptite Hex Hd. (10-24 x 1/2") Torque Specs 15-20 In/Lbs, 1.7-2.3 Nm. |
| 9 | UP04155 | 2 | S | Screw-Hex Hd. (10-24 x 5/8") Torque Specs 40-50 In/Lbs, 4.5-5.6 Nm. |
| 10 | UP04126 | 1 | S/P | WASHER-Flanged |
| 11 | UP04128 | 1 | S | ADAPTER-Shaft Torque Specs 100-120 In/Lbs, 11.3-13.6 Nm. |
| 12 | A04683A | 1 | /P | GRASS DEFLECTOR KIT Includes items 13-15 |
| 13 | UP04538 | 1 | S/P | BLADE-Cut-off |
| 14 | UP04149 | 2 | S/P | SCREW-Mach.Hex Hd. (10-24 X 3/8") |
| 15 | UP03885 | 2 | S | NUT-Lock Hex (10-24) Torque Specs 30-40 In/Lbs, 3.4-4.5 Nm. |
| 16 | DA09364 | 1 | S | STRINGHEAD-Pro-Cut w/line (UT20699, UT20703, UT20701, UT20730, UT20729, UT20737) Includes item 17 |
| 17 | UP04102 | 1 | S | SCREW (5/16-18 x 5/8") Torque Specs 40-60 In/Lbs, 4.5-6.8 Nm. |
| 18 | D09365 | 1 | S | LINE-Replacement |
| 19 | DA03001A | 1 | S/P | STRINGHEAD-Complete (.080") (UT20704, UT20738, UT20734R, UT20827) Includes items 20-23 |
| | DA04591A | 1 | S/P | STRINGHEAD-Complete (.095") (UT20700, UT20709) Includes items 20-23 |
| 20 | UP06567 | 1 | S | HOUSING & EYELET (Dual Line) |
| 21 | UP06526 | 1 | S/P | SPRING-Compression |
| 22 | UP00145 | 1 | S/P | SPOOL & STRING (.080") |
| | UP00147 | 1 | S/P | SPOOL & STRING (.095") |
| 23 | DA98866A | 1 | S | RETAINER-Spool (R.H. Thread, Black) |
| 24 | UP00108 | 1 | S | HARNESS |