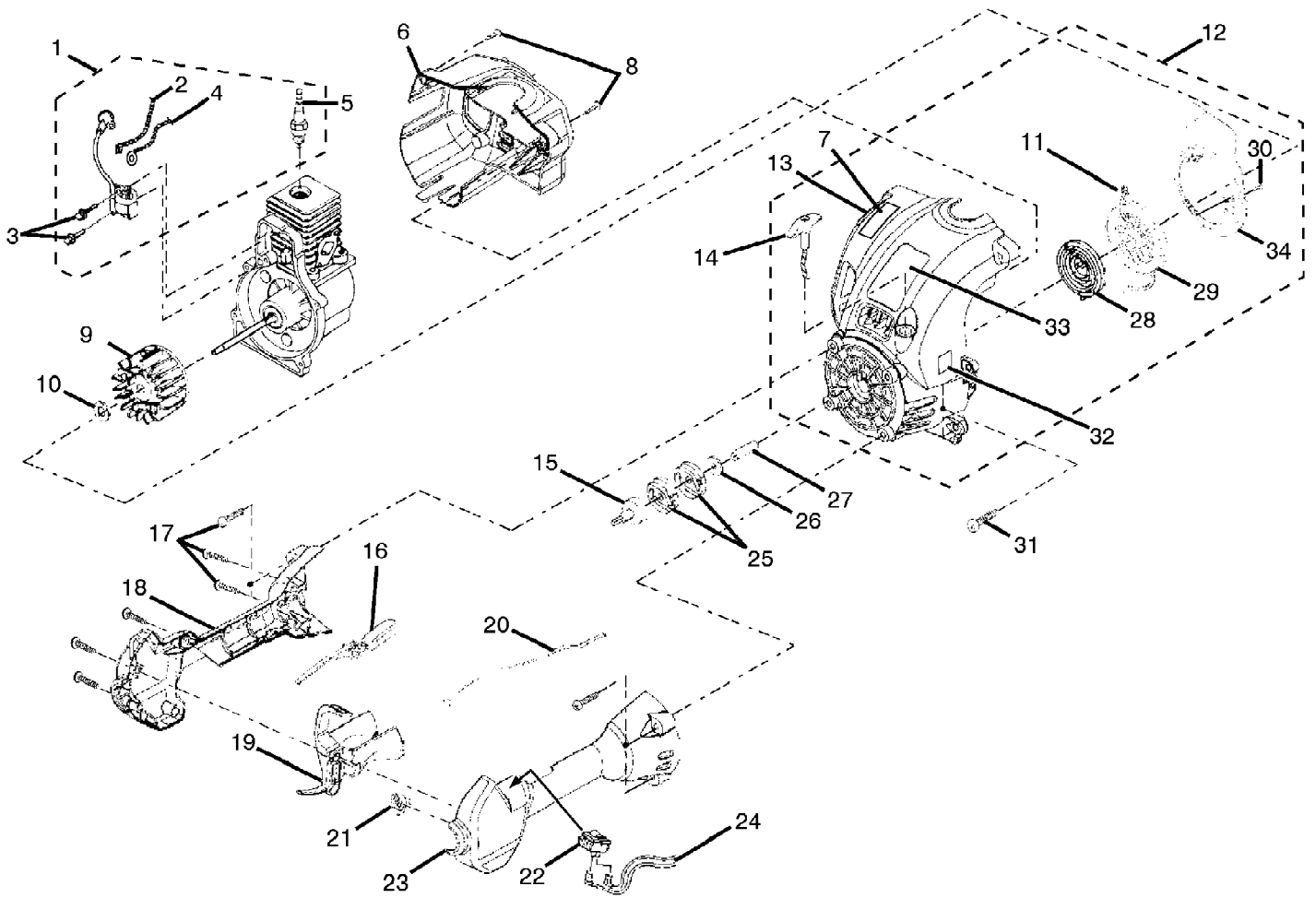
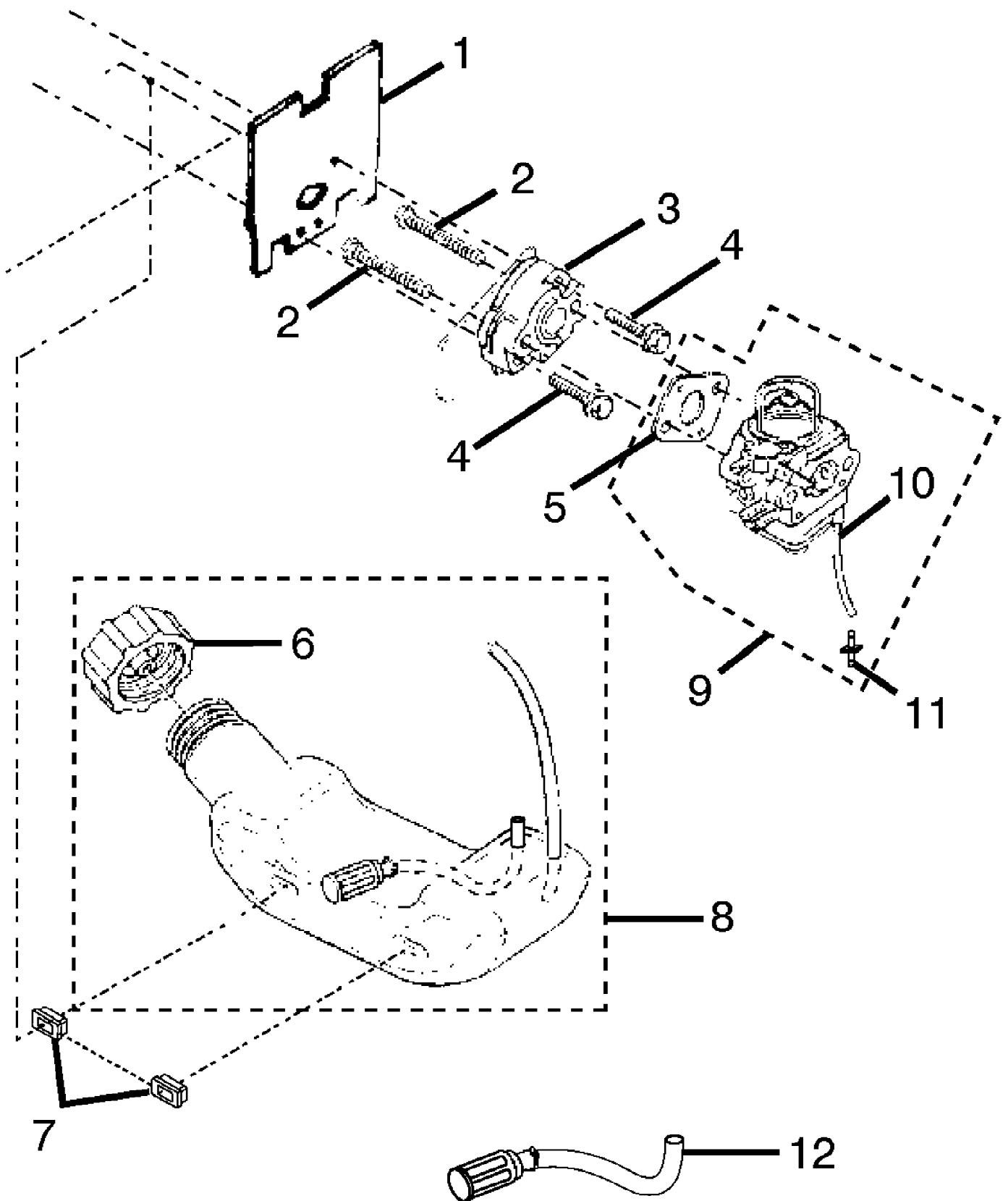


Curved Shaft Trimmer UT-70026  
Engine & Housing



Ref #	Part Number	Qty	S/P/F	Description
1	984520001	1		IGNITION KIT
2	A06963	1	/P	ELECTRICAL LEAD
3	82540	2	/P	SCREW
4	A06964	1	/P	ELECTRICAL LEAD
5	PS02227	1	S/P	SPARK PLUG
6	PS01127	1		REAR COVER
7	07184	1	S	DECAL, HOMELITE
8	82537	2	/P	SCREW (10-14 x 7/8")
9	984521001	1	S	ROTOR AND PAWL ASSEMBLY
10	95479A	1	/P	WASHER
11	9789902	1	S/P	STARTER ROPE (42 in)
12	984609001	1		STARTER ASSEMBLY
13	PA01165	1		STARTER HOUSING AND EYELET
14	5946702	1	S/P	STARTER GRIP
15	PA01613	1	S/P	DRUM AND CONNECTOR
16	PS01128	1	/P	INTERLOCK TRIGGER
17	82589	9	/P	SCREW
18	PS01124	1		CONTROL HANDLE / RH
19	PS01814	1	S	TRIGGER
20	PS01177	1	/P	THROTTLE CABLE
21	PS01718	1	/P	SPRING
22	PS02764	1	/P	SWITCH
23	PS01125	1		CONTROL HANDLE / LH
24	PA00387	1	/P	ELECTRICAL LEADS
25	00242	2	/P	CLUTCH DISK ( ST185 & ST385 )
26	98929A	1	S/P	WASHER
27	PS04300	1	S/P	SPACER
28	A98773A	1	S/P	SPRING & CONTAINER
29	PS01122	1	/P	STARTER PULLEY
30	82543	3	/P	SCREW
31	82538	4	/P	SCREW
32	PS06141	1		DECAL, NOISE
33	PS02544	1		DECAL, MODEL
34	PS01123	1	/P	AIR BAFFLE PLATE
35	03646	1	/P	TORX WRENCH (NOT SHOWN)

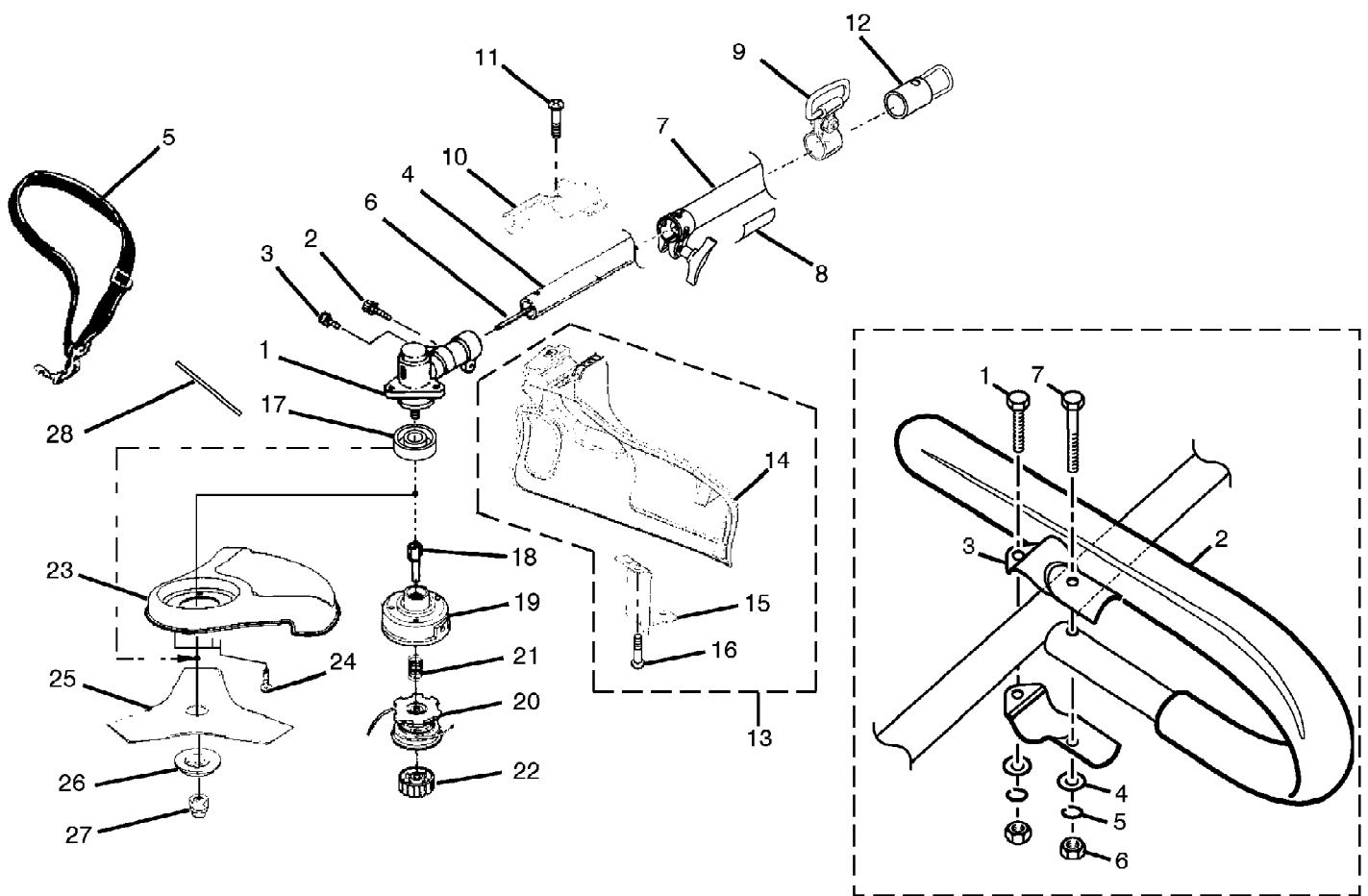


Curved Shaft Trimmer UT-70026  
Fuel Tank & Carburetor

Page 4 of 12

Ref #	Part Number	Qty	S/P/F	Description
1	06900A	1	/P	HEAT DAM GASKET
2	04474	2	/P	CARBURETOR BOLT
3	98768A	1	/P	HEAT DAM
4	093221	2	S/P	PAN HEAD SEMS SCREW
5	98766A	1	S/P	CARBURETOR GASKET
6	A09116	1	S/P	FUEL CAP
7	98792	3	/P	BUMPER
8	PA01624	1	S	FUEL TANK ASSEMBLY WHEN ORDERING FUEL TANK ASSEMBLY (ITEM NUMBER 8) ,ALSO ORDER BUMPERS (ITEM NUMBER 7)
9	984528001	1		CARBURETOR ASSEMBLY KIT
10	0143910	1	/P	RUBBER HOSE (635 mm)
11	07332	1	S/P	INLINE FUEL FITTING
12	985077001	1	S/P	FUEL FILTER KIT (INCLUDED ON FUEL TANK ASSEMBLY)

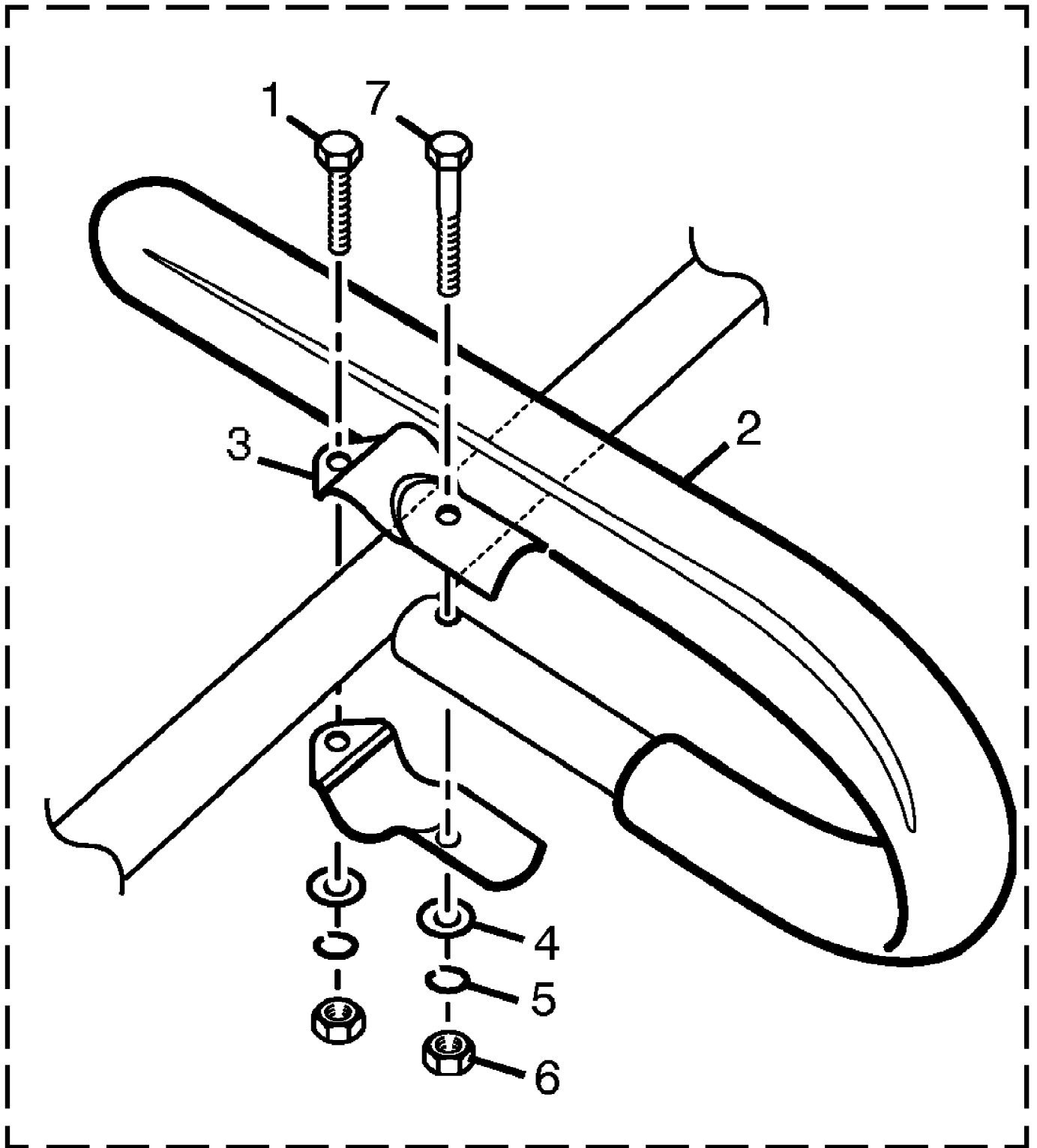
Curved Shaft Trimmer UT-70026  
Gear Head



Curved Shaft Trimmer UT-70026  
Gear Head

Page 6 of 12

Ref #	Part Number	Qty	S/P/F	Description
1	PA01364	1	S/P	GEAR HEAD
2	PS04680	1	S/P	SCREW, CAP HD (1/4-20 x 125")
3	PS04673	1	S/P	SCREW-HEX HD (10-24 x 625")
4	PA01070A	1	S	DRIVESHAFT HOUSING (Lower)
5	983961001	1	/P	HARNESS
6	A07679	1	/P	SHAFT-FLEXIBLE
7	PA00873A	1	S/P	DRIVESHAFT HOUSING (Upper)
8	PS04267	1		DECAL, BOOM STARTING INST
9	07255	1	/P	HANGER-COMPLETE
10	PS04420	1	/P	CLAMP-GRASS SHIELD
11	82554	1	/P	SCREW-HEX HD (1/4-20 x 125")
12	PS02155	1	/P	END CAP
13	984443002	1	S	DEFLECTOR-GRASS ASSY
14	984099001	1	/P	GRASS SHIELD
15	PS04379	1	/P	BLADE-CUT-OFF
16	82543	3	/P	SCREW-PAN HD (8-16 x 1/2")
17	04168A	1	S/P	WASHER-FLANGED
18	PS04438	1	S/P	ADAPTER-STRINGHEAD
19	A98231A	1	S/P	HOUSING AND EYELET (Dual Line)
20	PA0387A	1	S	SPOOL W/LINE (095 in)
21	06713	1	/P	COMPRESSION SPRING
22	A97910A	1	S/P	SPOOL RETAINER (LH/THREAD)
23	PS03538	1	S/P	BLADE GUARD
24	88049	3	/P	SCREW
25	06297	1	S/P	BLADE-TRI-ARC™
26	04409	1	/P	WASHER-CUPPED (Lower)
27	04277	1	/P	NUT-HEX (LH)
28	00063	1	S/P	TOOL-HOLDING Pin



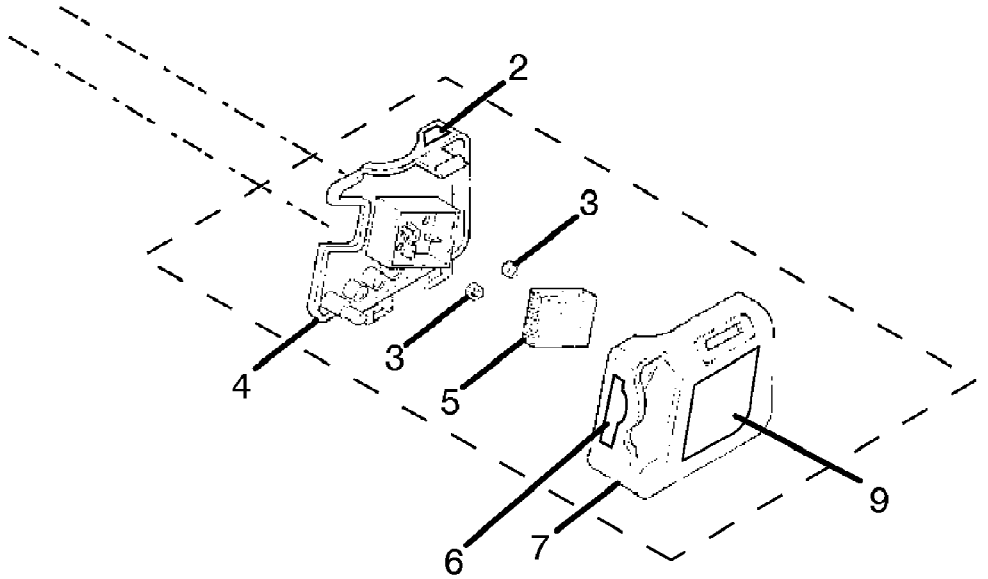
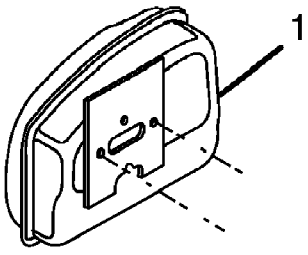
Curved Shaft Trimmer UT-70026  
J-Handle

Page 8 of 12

Ref #	Part Number	Qty	S/P/F	Description
1	82496	1	/P	SCREW
2	A08130	1	/P	J HANDLE & GRIP
3	00422	2	S/P	HANDLE BAR CLAMP
4	84004	2	/P	WASHER
5	83009	2	/P	LOCK WASHER
6	81242	2	/P	HEX NUT
7	82278	1	/P	HEX HEAD BOLT



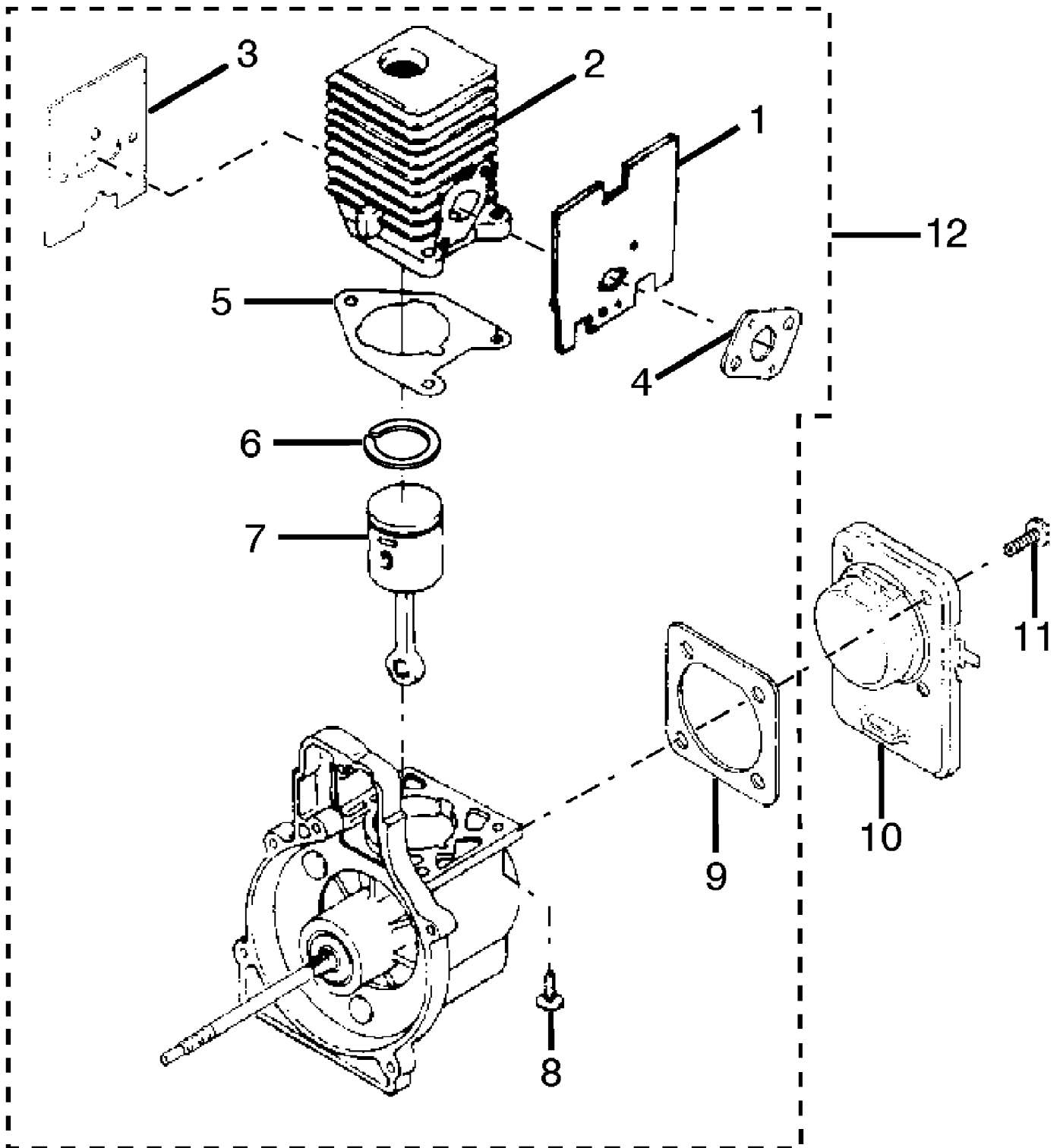
Curved Shaft Trimmer UT-70026  
Muffler Assembly



Curved Shaft Trimmer UT-70026  
Muffler Assembly

Page 10 of 12

Ref #	Part Number	Qty	S/P/F	Description
1	PA01073	1	/P	MUFFLER ASSEMBLY
2	PS02112	1		DECAL, PRIMER
3	81208	2	/P	LOCK NUT (10-24)
4	PS02113	1	/P	BOX AIR FILTER (CONEHEAD)
5	98760	1	/P	AIR FILTER
6	PS02429	1		DECAL, STARTING INST
7	PS02309	1	/P	AIR BOX COVER
8	06502	1	/P	SPARK SCREEN (NOT SHOWN)
9	PS02314	1		LABEL, AIRBOX AUTOZIP
	PS06195	1		OPERATOR'S MANUAL



Curved Shaft Trimmer UT-70026  
Piston & Cylinder

Page 12 of 12

Ref #	Part Number	Qty	S/P/F	Description
1	06900A	1	/P	HEAT DAM GASKET
2	PS05699	1		CYLINDER
3	PS04000	1	/P	MUFFLER GASKET
4	98766A	1	S/P	CARBURETOR GASKET
5	04388B	1	S/P	CYLINDER GASKET
6	PS01359	1	S/P	PISTON RING ( 1-5/16 in)
7	984544001	1	/P	PISTON ASSEMBLY KIT
8	PS02807	3	/P	SCREW (12-24 x 660 PAN TORX)
9	06443A	1	S/P	GASKET COVER, C/C
10	PS02130	1	/P	CRANKCASE COVER
11	PS01565	4	/P	PAN HEAD SCREW
12	984561001	1	/P	SHORT BLOCK ASSEMBLY