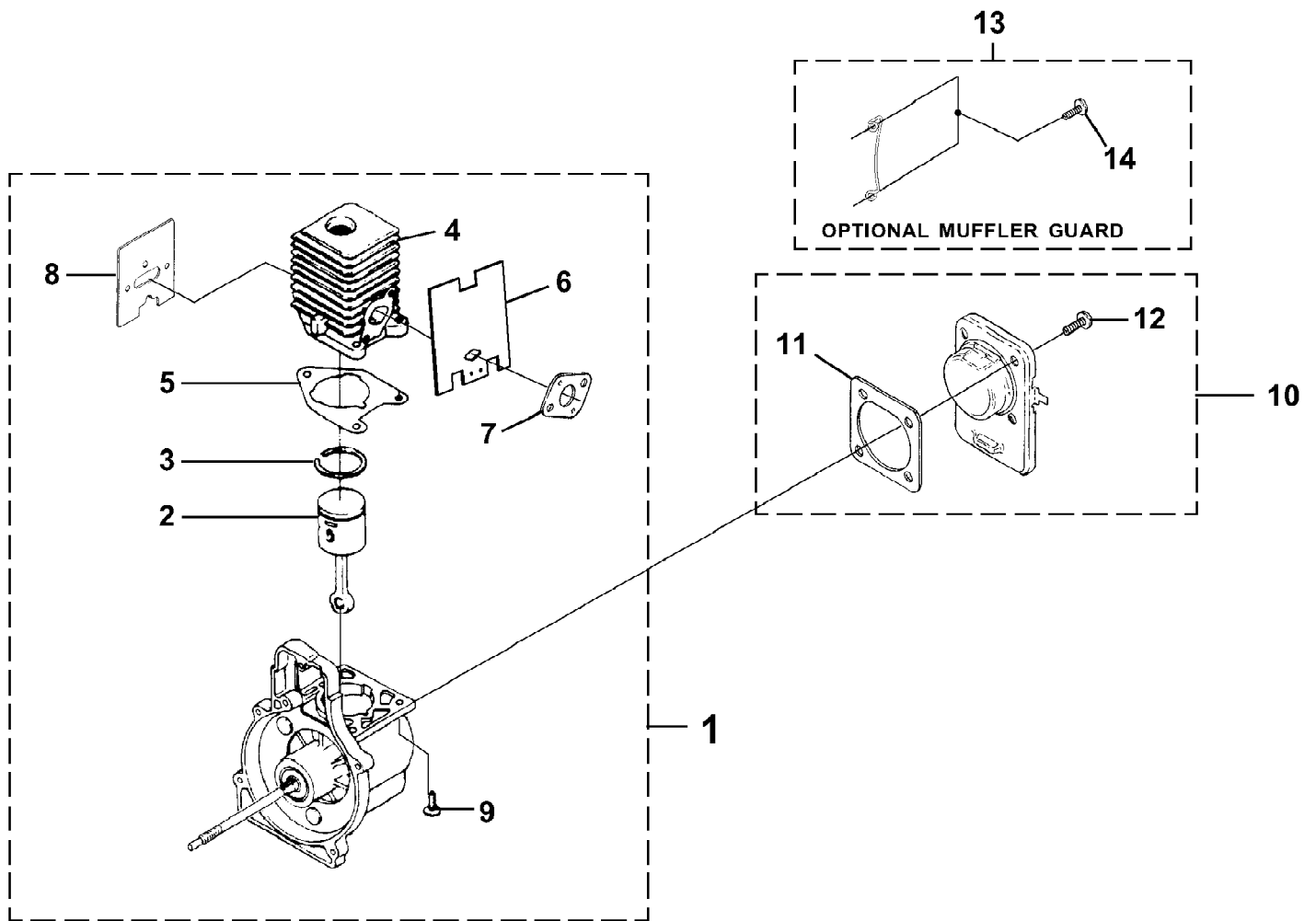


BC1600 Trimmer/Brushcutter UT-15198  
Carburetor - Fuel Tank

Page 2 of 10

Ref #	Part Number	Qty	S/P/F	Description
1	06900A	1	/P	GASKET-Heat Dam
2	04474	2	/P	SCREW-Machine (10-24 X 2 1/4")
3	98768A	1	/P	HEAT DAM
4	093221	2	S/P	SCREW-Sems (10-24 X 1")
B	984549001	1	S/P	CARBURETOR KIT Includes Item B, 5
5	98766A	1	S/P	GASKET-Carburetor
F	UP05396A	1	/P	FUEL TANK ASSY. Includes Item 7-14
7	PS03380	1	/P	FILTER-Fuel
8	0143922	1	/P	TUBING-Rubber
9	0143910	1	/P	TUBING-Rubber
10	9477214	1	/P	TUBING-Rubber
11	A09116	1	S/P	FUEL CAP
12	98792	3	/P	BUMPER-Rubber
13	07332	1	S/P	FITTING-Inline
14	98268	1	S/P	CLAMP

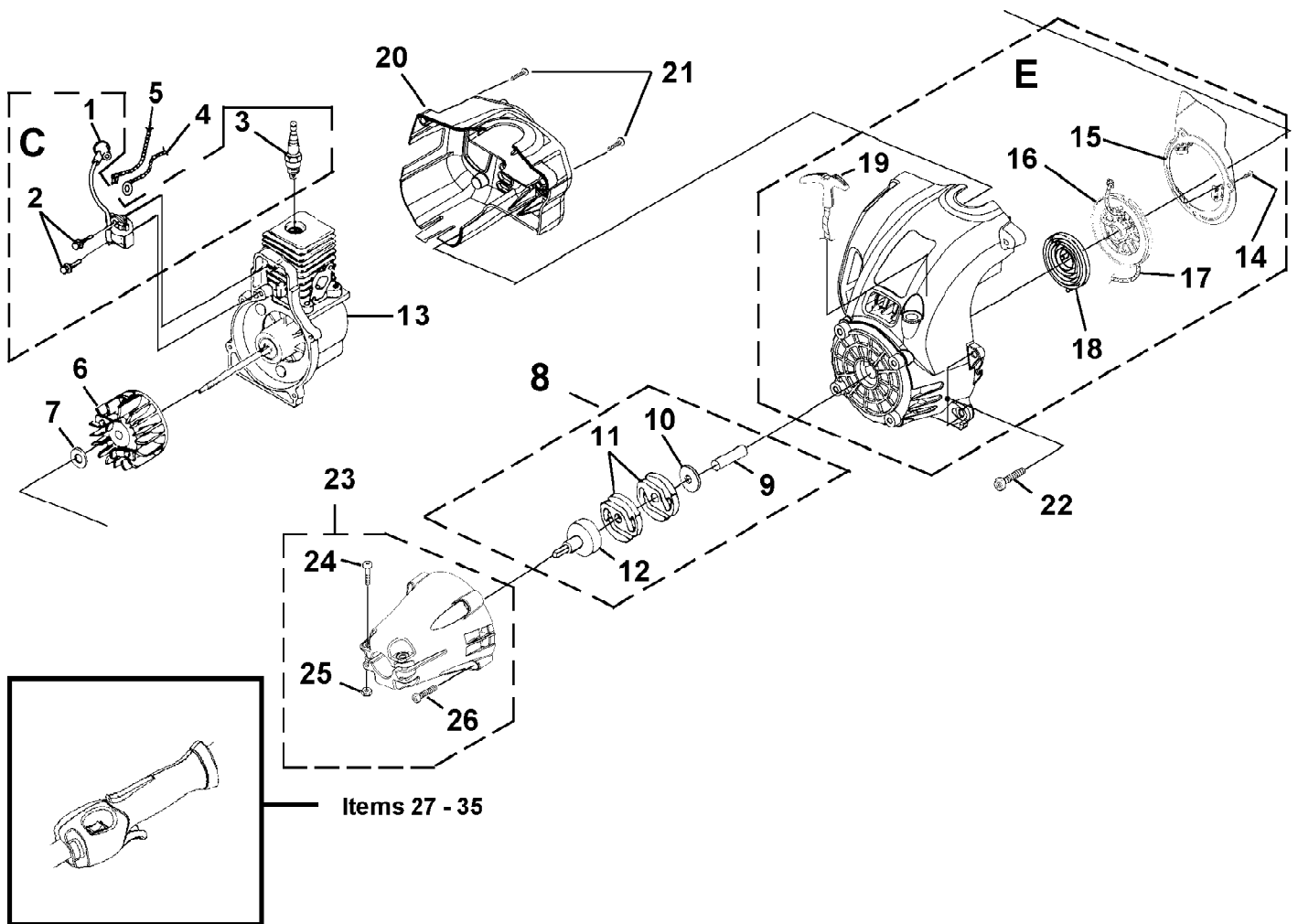


BC1600 Trimmer/Brushcutter UT-15198  
Engine Internal

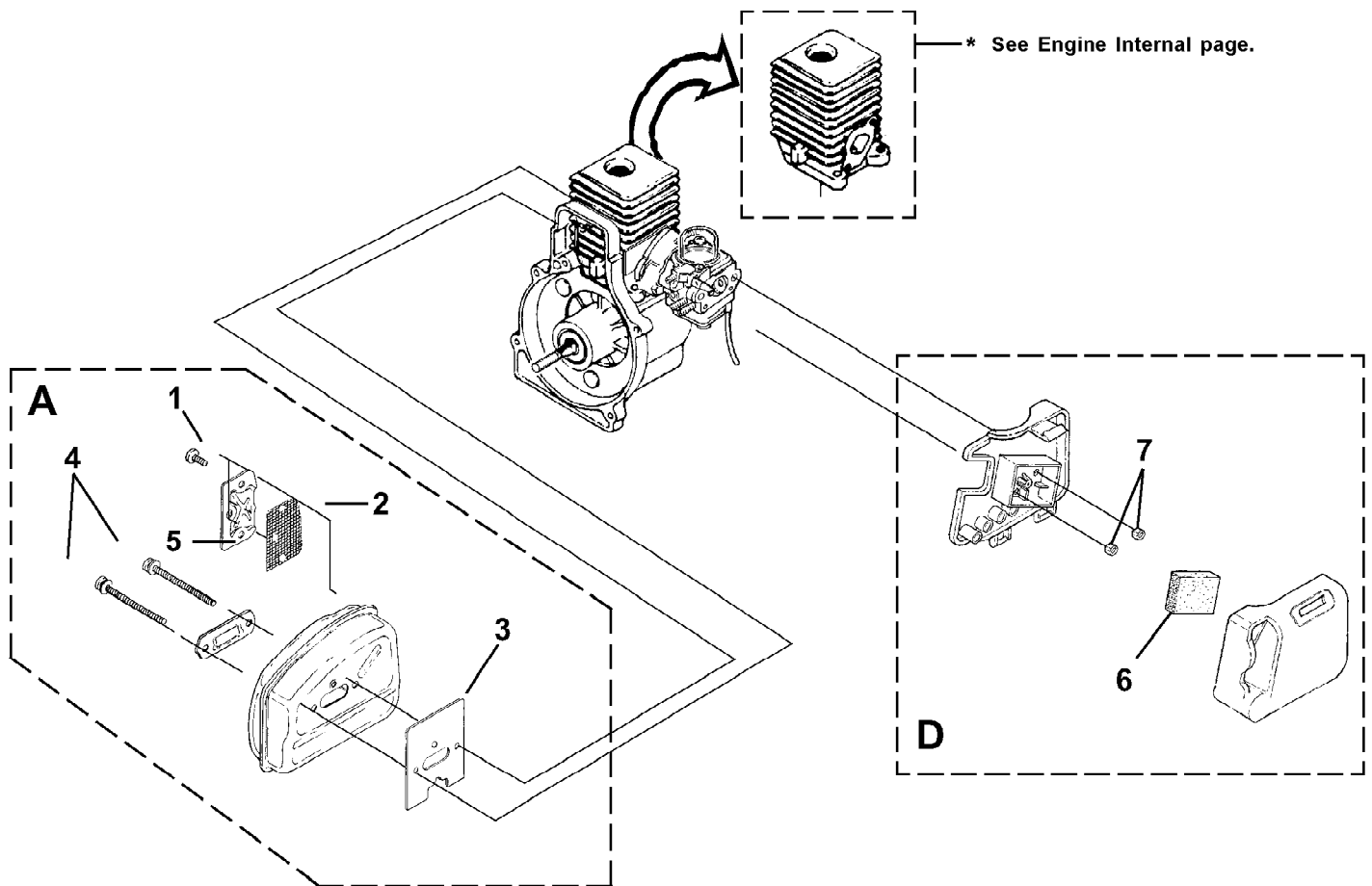
Page 4 of 10

Ref #	Part Number	Qty	S/P/F	Description
1	984546001	1	/P	SHORT BLOCK Includes Items 1-9
2	UP06937A	1	/P	PISTON & ROD ASSY. Includes Items 2
3	PS03498	2	S	RING-Piston
4	UP06940	1		CYLINDER ASSY. Includes Items 4-8
5	04388B	1	S/P	GASKET-Cylinder
6	06900A	1	/P	GASKET-Heat Dam
7	98766A	1	S/P	GASKET-Carburetor
8	PS04000	1	/P	GASKET-Muffler
9	PS02807	3	/P	SCREW-Sems (12-24 X 3/4")
10	UP00019A	1	/P	CRANKCASE COVER ASSEMBLY Includes Items 10-12
11	06443A	1	S/P	GASKET-Crankcase Cover (Also included w/short block)
12	PS01565	4	/P	SCREW-Sems (10-24 X 1/2")
13	UP04099	1	/P	MUFFLER GUARD Includes Items 13-14
14	82541	2	/P	SCREW-Plastite (10-14 X 1/2")

BC1600 Trimmer/Brushcutter UT-15198  
Ignition - Rotor - Starter - Clutch



Ref #	Part Number	Qty	S/P/F	Description
C	983929001	1		IGNITION KIT Includes Items 1-3
1	PS02762	1	S	IGNITION MODULE
2	82540	2	/P	SCREW-Taptite (8-32 X 1")
3	PS02227	1	S/P	SPARK PLUG
4	A06964	1	/P	LEAD-Electrical
5	A06963	1	/P	LEAD-Electrical
6	984521001	1	S	ROTOR KIT
7	PS84065	1	S/P	WASHER-Flat
8	UP00034A	1	/P	CLUTCH AND DRUM KIT Includes Items 8-12
9	PS04300	1	S/P	SPACER
10	98929A	1	S/P	WASHER-Flat
11	00242	2	/P	CLUTCH
12	PA01613	1	S/P	CONNECTOR AND DRUM
13	984546001	1	/P	SHORT BLOCK (See Engine Internal)
E	UP06739A	1	/P	COMPLETE STARTER ASSEMBLY Includes Items E-19
14	82543	3	/P	SCREW-Thread Form (8-16 X 1/2")
15	PS01123	1	/P	BAFFLE-Air
16	PS01122	1	/P	PULLEY-Starter
17	9789902	1	S/P	ROPE-Starter (42")
18	A98773A	1	S/P	SPRING & CONTAINER
19	PS03480	1	S	GRIP-Starter
20	UP06920A	1	/P	HOUSING-Rear Kit Includes Items 20-22
21	82537	2	/P	SCREW-Plastite (10-14 X 7/8")
22	82538	4	/P	SCREW-Taptite (10-24 X 3/4")
23	UP06922A	1	/P	ADAPTOR Includes Items 23-26
24	82556	2	/P	SCREW-Torx Hd. (10-24 x 1.25")
25	07589	2	/P	NUT-Flange
26	82563	4	/P	SCREW-Torx Hd. (10-14 x 3/4")
27	UP06947A	1	/P	CONTROL HANDLE ASSY. Includes Items 27-35
28	PS04077	1	/P	TRIGGER-Throttle
29	PS04227	1	/P	SPRING-Extension
30	83024	1	/P	WASHER-Lock (#6)
31	PS04075	1	/P	THROTTLE LOCKOUT
32	PS04076	1	/P	CABLE ARM
32	PS02764	1	/P	SWITCH
33	82536	5	/P	SCREW-Thread Form (8-16 x 3/4")
34	PS04162	1	/P	CABLE-Throttle
35	PA00387	1	/P	LEAD-Electrical



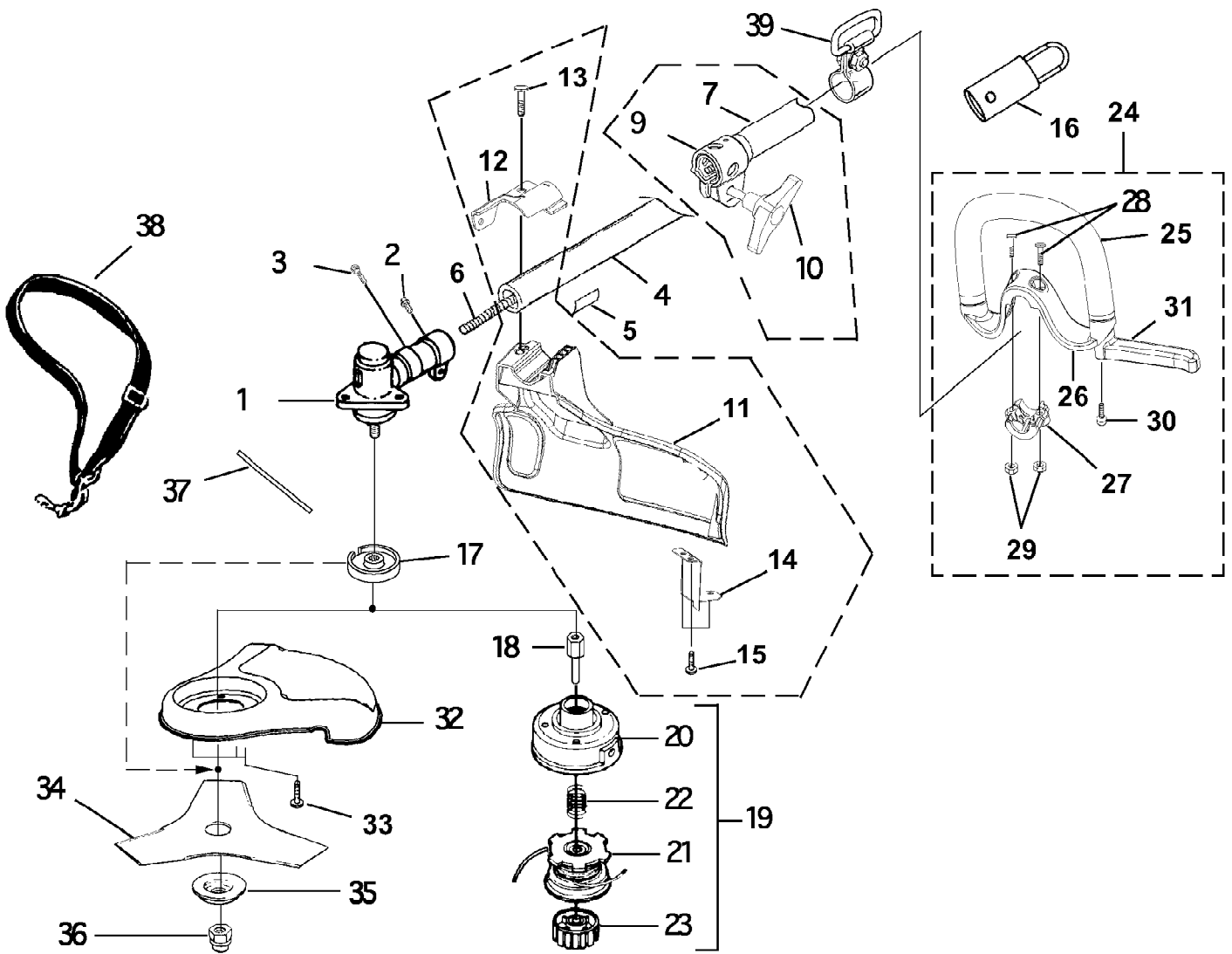
BC1600 Trimmer/Brushcutter UT-15198  
Muffler - Air Cleaner

Page 8 of 10

Ref #	Part Number	Qty	S/P/F	Description
A	PA01360	1	/P	MUFFLER ASSY. Includes Item A-5
1	82600	3	/P	SCREW, Taptite- (8-32 X 3/8")
2	06502	1	/P	SCREEN-Spark
3	PS04000	1	/P	GASKET-Muffler
4	PS03999	2	/P	SCREW, Truss Hd. - (10-24 X 2")
5	065011	1	/P	DEFLECTOR-Muffler
D	UP05084A	1	/P	AIR FILTER KIT Includes Item D-7
6	98760	1	/P	FILTER-AIR
7	81208	2	/P	NUT-Hex (10-24)



BC1600 Trimmer/Brushcutter UT-15198  
Shaft - Spool & String - Grass Deflector



Ref #	Part Number	Qty	S/P/F	Description
1	UP06866A	1	/P	GEAR HEAD Includes Item 1-3
2	983381007	1	/P	Screw, Cap Hd. (1/4-20 X 1.25")
3	PS04673	1	S/P	Screw-Hex Hd. (10-24 x .625")
4	UP06903A	1	/P	DRIVESHAFT HOUSING (Lower) Includes Item 4-6
5	983751001	1	/P	DECAL-Warning
6	A07679	1	/P	SHAFT-Flexible
7	PA01527A	1	S	DRIVESHAFT HOUSING (Upper)
9	UP03839A	1	/P	COUPLER KIT
10	PS02071	1	/P	KNOB
11	UP06909A	1	/P	GRASS SHIELD Includes Item 11-15
12	PS04420	1	/P	CLAMP-Grass Shield
13	82554	1	/P	SCREW-Hex Hd. (1/4-20 x 1.25")
14	PS04379	1	/P	BLADE-Cut-off
15	82543	3	/P	SCREW-Pan Hd. (8-16 x 1/2")
16	PS02155	1	/P	END CAP
17	04168A	1	S/P	WASHER-Flanged
18	PS04438	1	S/P	ADAPTER-Stringhead
19	UP06950A	1	S/P	STRINGHEAD-Complete (.095") Orange Includes Item 19-23
20	A98231A	1	S/P	HOUSING & EYELET (Dual Line)
21	UP06762A	1	/P	SPOOL & STRING (.095") Orange Includes Item 21-22
22	06713	1	/P	SPRING-Compression
23	PA01271	1	S/P	RETAINER-Spool (L.H. Thread)
24	UP06923A	1	/P	HANDLE w/Barrier-Complete Includes Item 24-31
25	PSO4069	1		HANDLE W/Grip
26	PS04070	1	S/P	CLAMP - "M"
27	PS04072	1	/P	CLAMP-Assist Handle
28	PS04159	2	/P	SCREW
29	81068	2	/P	NUT
30	82620	2	/P	SCREW
31	PS04071	1	/P	BARRIER
32	PS03538	1	S/P	BLADE GUARD
33	88049	3	/P	SCREW
34	06297	1	S/P	BLADE-Tri-Arc™
35	04409	1	/P	WASHER-Cupped (Lower)
36	04277	1	/P	NUT-Hex (L.H.)
37	00063	1	S/P	TOOL-Holding Pin
38	944701	1	S/P	HARNESS
39	07255	1	/P	HANGER-Complete