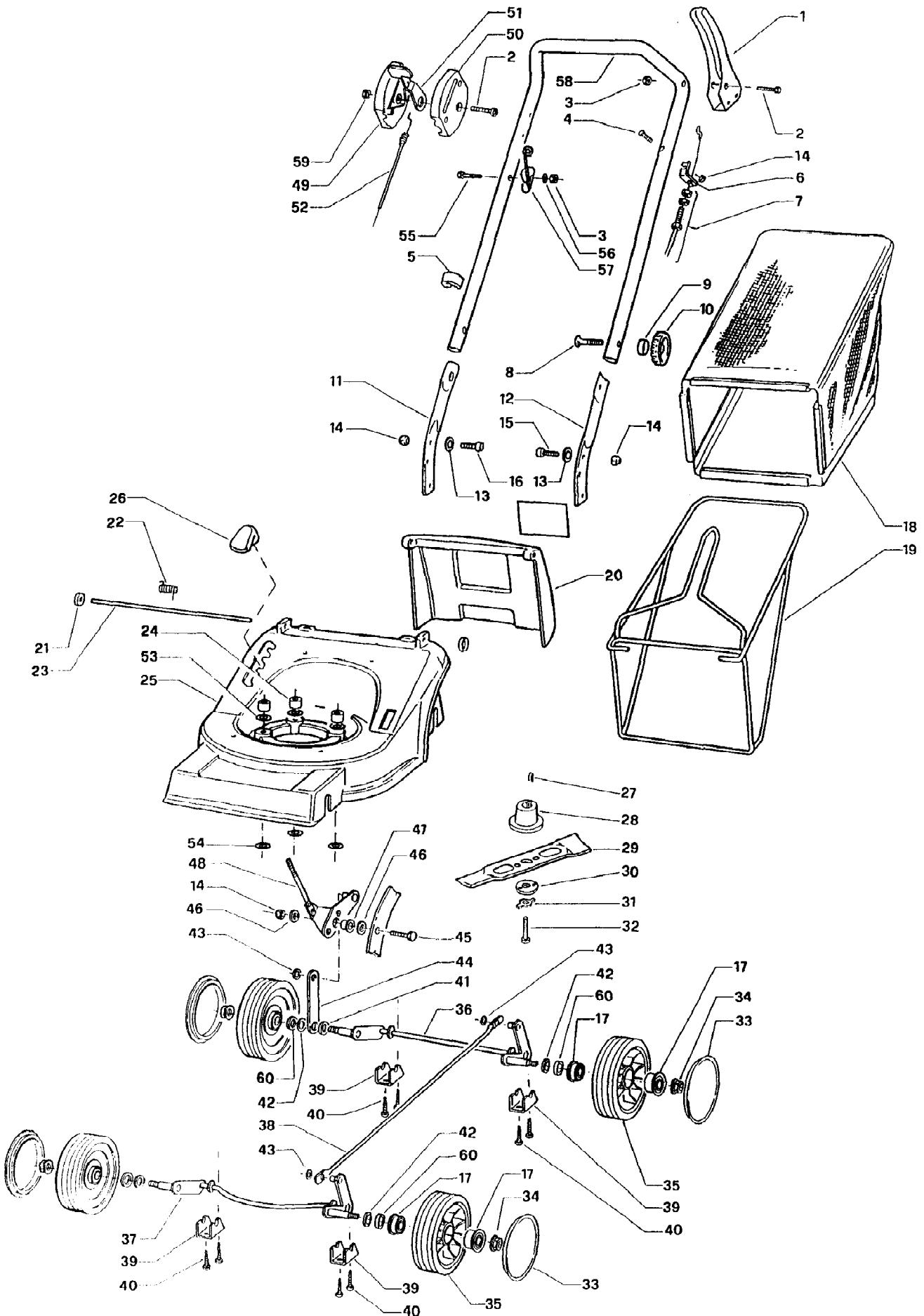


42RP Walk Behind Mower  
Main Assembly



42RP Walk Behind Mower  
Main Assembly

Page 2 of 3

Ref #	Part Number	Qty	S/P/F	Description
1	459910	1		Lever
2	140310	2		Screw
3	140270	2		Nut
4	165110	1		Screw
5	446330	2		Clamp
6	363220	1		Bracket
7	259920	1		Cable B & S SPRINT
8	101740	2		Screw
9	340060	2		Washer
10	346380	2		Knob
11	259480	1		Handle Lower, Right
12	259490	1		Handle Lower, Left
13	144370	4		Washer
14	106440	6		Nut
15	160190	2		Screw
16	160180	2		Screw
17	250790	8		Bushing
18	275900	1		Bag
19	357210	1		Frame, Bag
20	459720	1		Flap
21	260170	2		Nut
22	259420	1		Spring
23	359410	1		Pivot
24	261610	3		Spacers
25	262670	1		Deck
26	459540	1		Knob
27	101370	1		Key
28	259550	1		Bushing
29	259800	1		Blade
30	302080	1		Washer
31	301280	1		Washer
32	101790	1		Screw
33	274070	4		Cover Wheel, Front
34	144450	7		Nut
35	274060	4		Wheel Rear
36	259440	1		Pivot, Rear Axle
37	259430	1		Pivot, Front Axle
38	259450	1		Link Bar
39	259530	4		Bracket
40	144500	8		Screw
41	245240	1		Washer
42	145250	4		Washer
43	109260	3		Washer
44	259470	1		Bracket
45	165110	1		Screw
46	347890	2		Washer
47	259870	1		Bush
48	259460	1		Lever
49	446320	1		Box Half
50	446310	1		Box Half
51	301110	1		Lever
52	245800	1		Cable
53	374160	3		Washer

42RP Walk Behind Mower  
Main Assembly

Page 3 of 3

Ref #	Part Number	Qty	S/P/F	Description
54	147910	3		Washer
55	142420	1		Screw
56	152120	3		Washer
57	365140	1		Washer, Clip
58	259500	1		Handle Upper
59	140300	1		Nut
60	250780	8		Washer