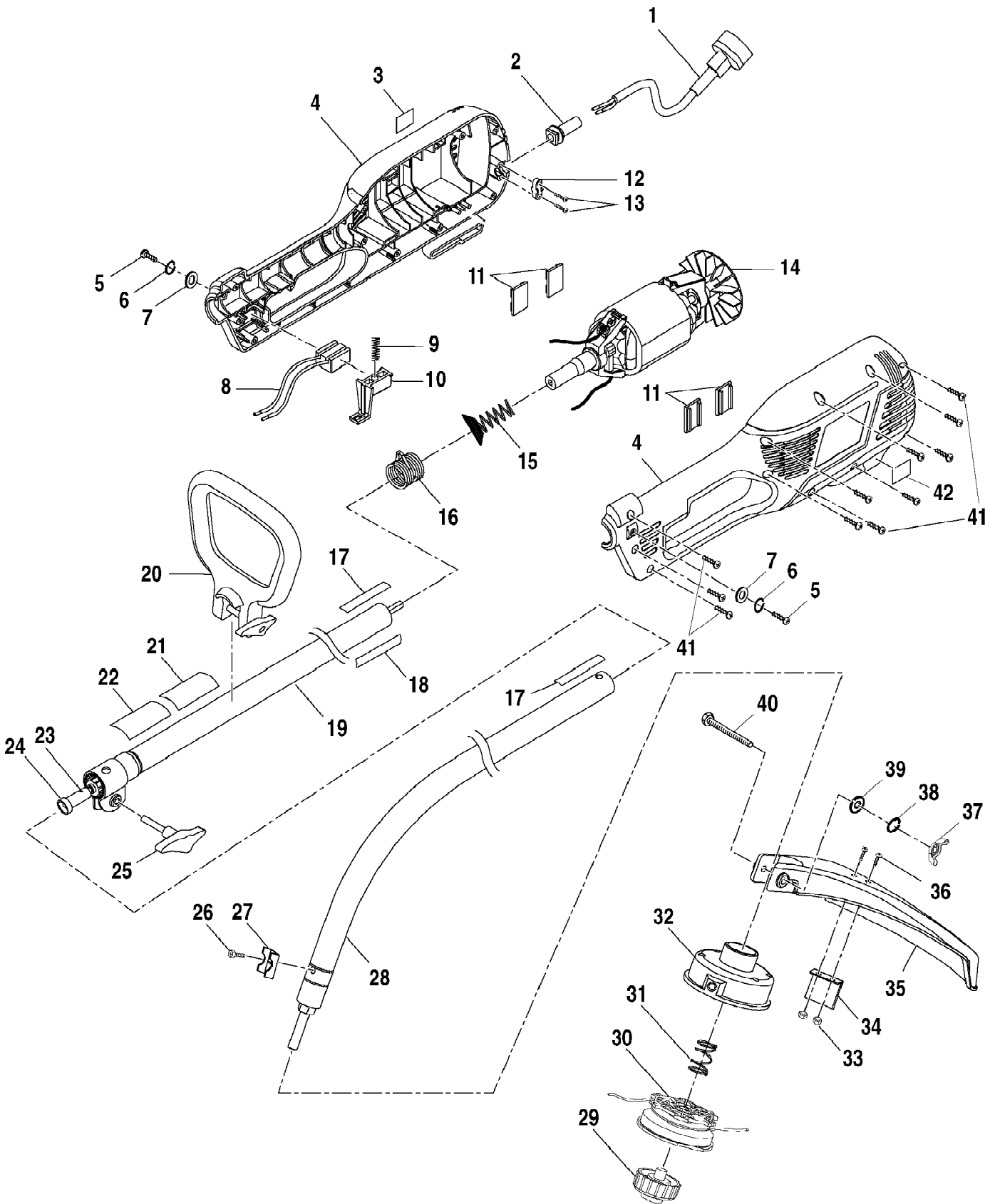


15" Line Trimmer UT-41002  
15 in. Line Trimmer



15" Line Trimmer UT-41002  
15 in. Line Trimmer

Page 2 of 2

Ref #	Part Number	Qty	S/P/F	Description
1	UT4100201	1		POWER CORD
2	UT4100203	1		BEND RELIEF
3	UT4100228	1		LOGO PLATE HOUSING SUPPORT
4	984725001	1		HOUSING ASSEMBLY
5	UT4100210	2		SCREW (M4 X 12 mm) Purchase Locally
6	UT4100209	2		SPRING WASHER (M4) Purchase Locally
7	UT4100208	2		WASHER (M4) Purchase Locally
8	UT4100217	1		SWITCH
9	UT4100216	1		SPRING
10	UT4100215	1		SWITCH TRIGGER
11	UT4100207	4		RUBBER CUSHION
12	UT4100204	1		CORD CLAMP
13	UT4100221	2		SCREW (M42 X 15 mm) Purchase Locally
14	UT4100214	1		MOTOR ASSEMBLY
15	UT4100219	1		SPRING
16	UT4100212	1		HOOK
17	984032001	2	/P	ICON LABEL
18	984175001	1		DATA PLATE
19	UT4100211	1		ALUMINIUM BOOM ASSEMBLY (INCLUDES KEY NOS 23 AND 24)
20	UT4100218	1		AUXILIARY HANDLE ASSEMBLY
21	UT4100229	1		WARNING LABEL
22	984339001	1		WARNING LABEL
23	UT4100220	1		SCREW (M4 X 4 mm) Purchase Locally
24	UT4100226	1		COUPLER
25	UT4100213	1		CLAMP LOCK KNOB
26	UP04256	1	S/P	SCREW (1024 X 3/8 in HEX HD) Purchase Locally
27	UP04137	1	/P	GRASS DEFLECTOR CLAMP
28	PA00881A	1	/P	D/SHAFT HOUSING ASSEMBLY (TRIMMER LOWER CURVED BOOM)
29	DA98866A	1	S	RETAINING CAP
30	UP00145	1	S/P	SPOOL W/LINE (080 in)
31	06713	1	/P	COMPRESSION SPRING
32	UP06567	1	S	TRIMMER HEAD W/EYELETS
33	UP03885	2	S	HEX NUT (1024) Purchase Locally
34	UP04119	1	/P	LINE CUTTING BLADE
35	A01286	1	S	GRASS DEFLECTOR
36	UP04159	2	S	SCREW (1024 X 7/8 in HEX HD) Purchase Locally
37	UP04262	1	S/P	WING NUT
38	UP03409	1	S/P	LOCK WASHER
39	84006	1	/P	FLAT WASHER
40	UP06523	1	S/P	SCREW (1024 X 2 in HEX HD) Purchase Locally
41	UT4100205	10		SCREW (M42 X 19 mm) Purchase Locally
42	UT4100227	1		LOGO PLATE HOUSING COVER
	983000123	1		OPERATOR'S MANUAL
	983000123R	1		REPAIR SHEET