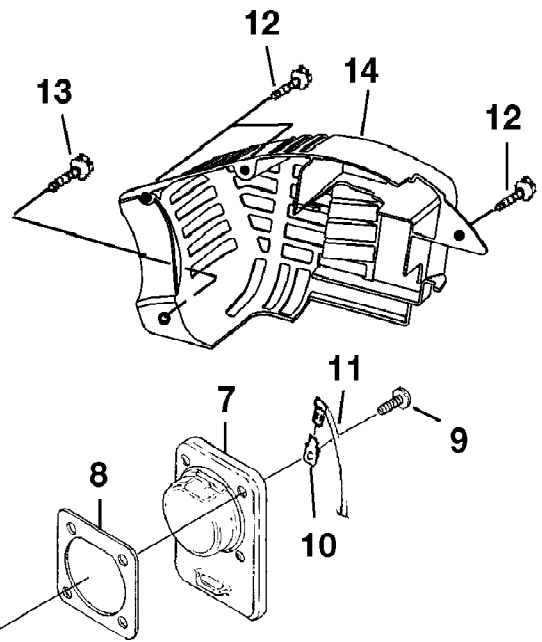
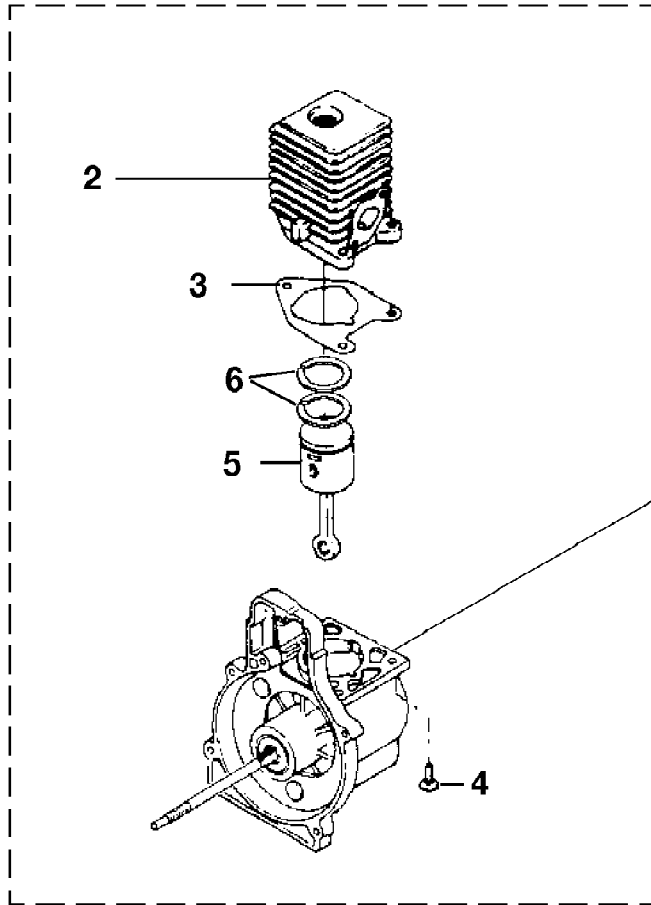


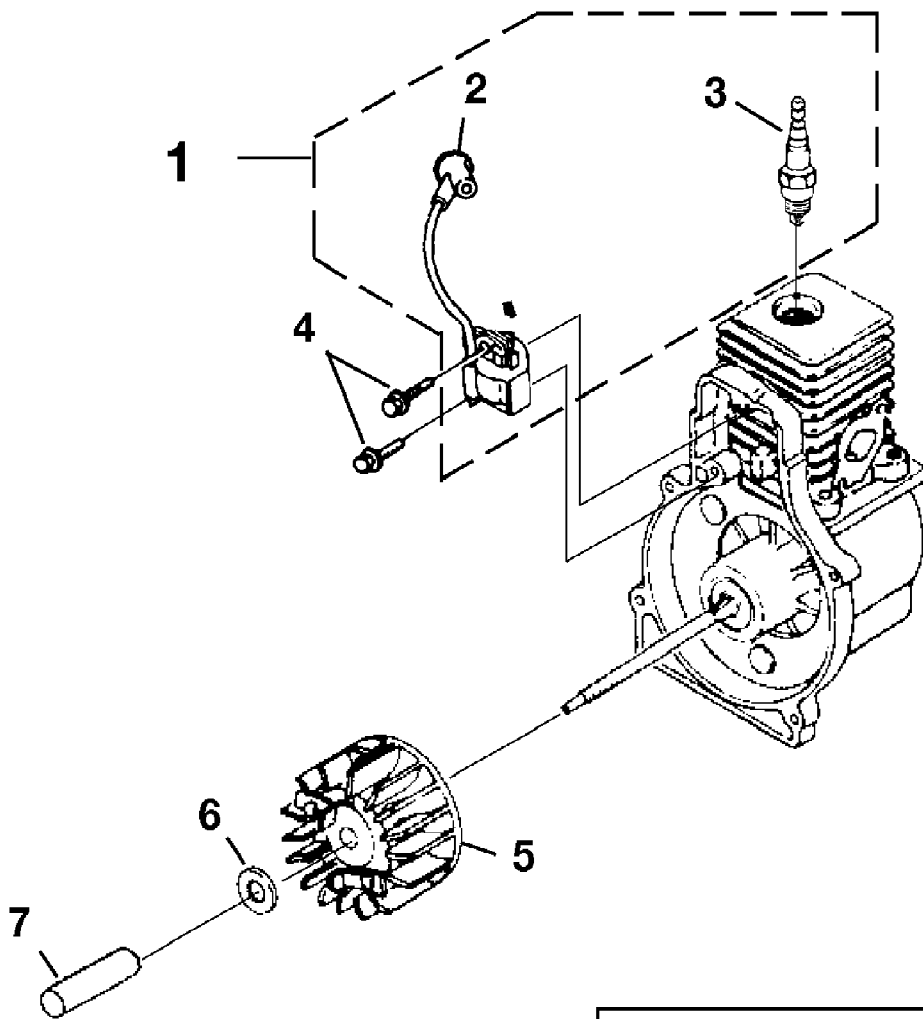
| TORQUE SPECIFICATIONS |        |         |                  |
|-----------------------|--------|---------|------------------|
| Item No.              | In/Lbs | Nm      | Required Loctite |
| 10                    | 30-40  | 3.4-4.5 |                  |
| 12                    | 40-50  | 4.5-5.6 | 262 Red          |

| Ref # | Part Number | Qty | S/P/F | Description  |
|-------|-------------|-----|-------|--|
| 1     | 984907001   | 1   | S/P   | FUEL TANK KIT (UT08929A, UT08930A)<br>INCLUDES 1-6 |
| 1     | 985202001   | 1   |       | FUEL TANK KIT (UT08121) INCLUDES 1-6               |
| 2     | A09116      | 1   | S/P   | FUEL CAP   |
| 3     | 98792       | 3   | /P    | BUMPER-Rubber                                      |
| 4     | 0143912     | 1   | S/P   | TUBING-Rubber (3")                                 |
| 5     | 07332       | 1   | S/P   | Fitting-Inlet (small for 2.5mm ID fuel line)       |
| 6     | 08684       | 1   | S/P   | HEAT SHIELD  |
| 7     | 984908001   | 1   | /P    | CARBURETOR KIT (UT08929A,UT08930A)<br>INCLUDES 7-8 |
| 8     | PS06325     | 1   | S     | GASKET-Carburetor                                  |
| 7     | 985074001   | 1   |       | CARBURETOR KIT (UT08121) INCLUDES<br>7-10          |
| 8     | 985534001   | 1   |       | GASKET-Carburetor                                  |
| 9     | 5945603     | 1   | /P    | SPACER, PLASTIC                                    |
| 10    | 98766A      | 1   | S/P   | GASKET, CARBURETOR                                 |
| 11    | 98768A      | 1   | /P    | HEAT DAM   |
| 12    | 093221      | 2   | S/P   | SCREW, SEMS (10-24 x 1.110)                        |
| 13    | 00775A      | 1   | S/P   | GASKET-Heat Dam                                    |
| 14    | 6634602     | 2   |       | SCREW-Thread Form. (10-24 x 1)                     |



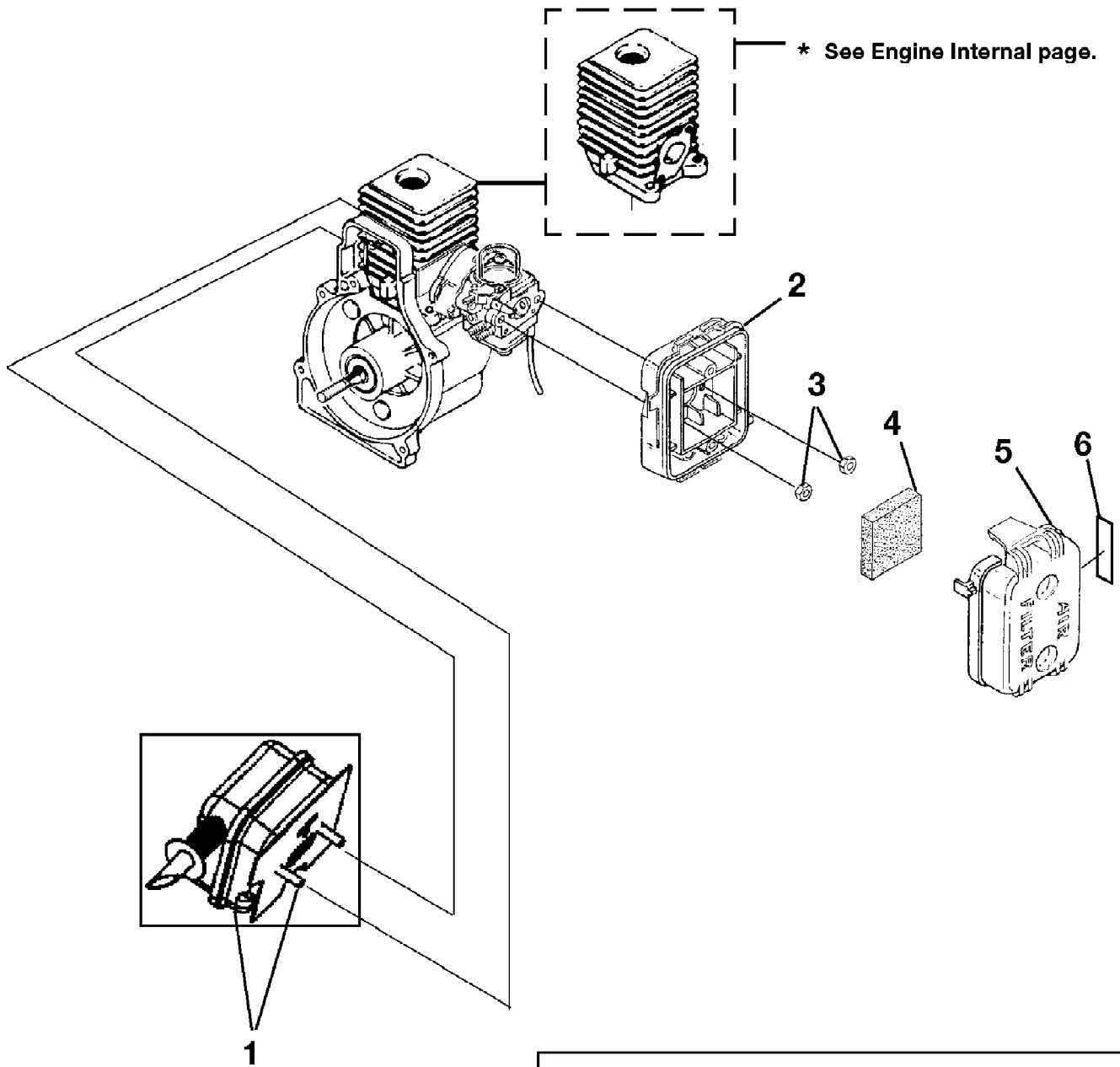
| TORQUE SPECIFICATIONS |        |         |                  |
|-----------------------|--------|---------|------------------|
| Item No.              | In/Lbs | Nm      | Required Loctite |
| 4                     | 55-65  | 6.2-7.3 | .262 Red         |
| 9                     | 55-65  | 6.2-7.3 | .262 Red         |
| 12                    | 8-12   | .9-1.4  |                  |
| 13                    | 20-30  | 2.3-3.4 |                  |

| Ref # | Part Number | Qty | S/P/F | Description                     |
|-------|-------------|-----|-------|---------------------------------|
| 1     | 983928001   | 1   |       | SHORT BLOCK (30cc) INCLUDES 1-6 |
| 2     | 985524002   | 1   | /P    | 30 CC CYLINDER                  |
| 3     | 985259001   | 1   | S/P   | GASKET-Cylinder                 |
| 4     | PS02807     | 3   | /P    | SCREW, SEMS (12-24 x 3/4)       |
| 5     | 984543001   | 1   | S     | 30 CC PISTON & ROD              |
| 6     | 985607001   | 2   | /P    | RING-Piston                     |
| 7     | PS02130     | 1   | /P    | CRANKCASE COVER                 |
| 8     | 06443A      | 1   | S/P   | GASKET-Crankcase                |
| 9     | PS01565     | 4   | /P    | SCREW, SEMS (10-24 x .56)       |
| 10    | 02851       | 1   | /P    | TAB-Male                        |
| 11    | A07238      | 1   | /P    | Lead-Ground to Handle           |
| 12    | 82376       | 3   | /P    | SCREW-Thread Form. (#8 X 1/2)   |
| 13    | 82563       | 1   | /P    | SCREW-Thread Form. (#10 X 3/4)  |
| 14    | PS06314     | 1   | /P    | Shroud                          |



| TORQUE SPECIFICATIONS |         |           |                  |
|-----------------------|---------|-----------|------------------|
| Item No.              | In/Lbs  | Nm        | Required Loctite |
| 3                     | 120-180 | 13.6-20.3 |                  |
| 4                     | 30-40   | 3.4-4.5   | 242 Blue         |

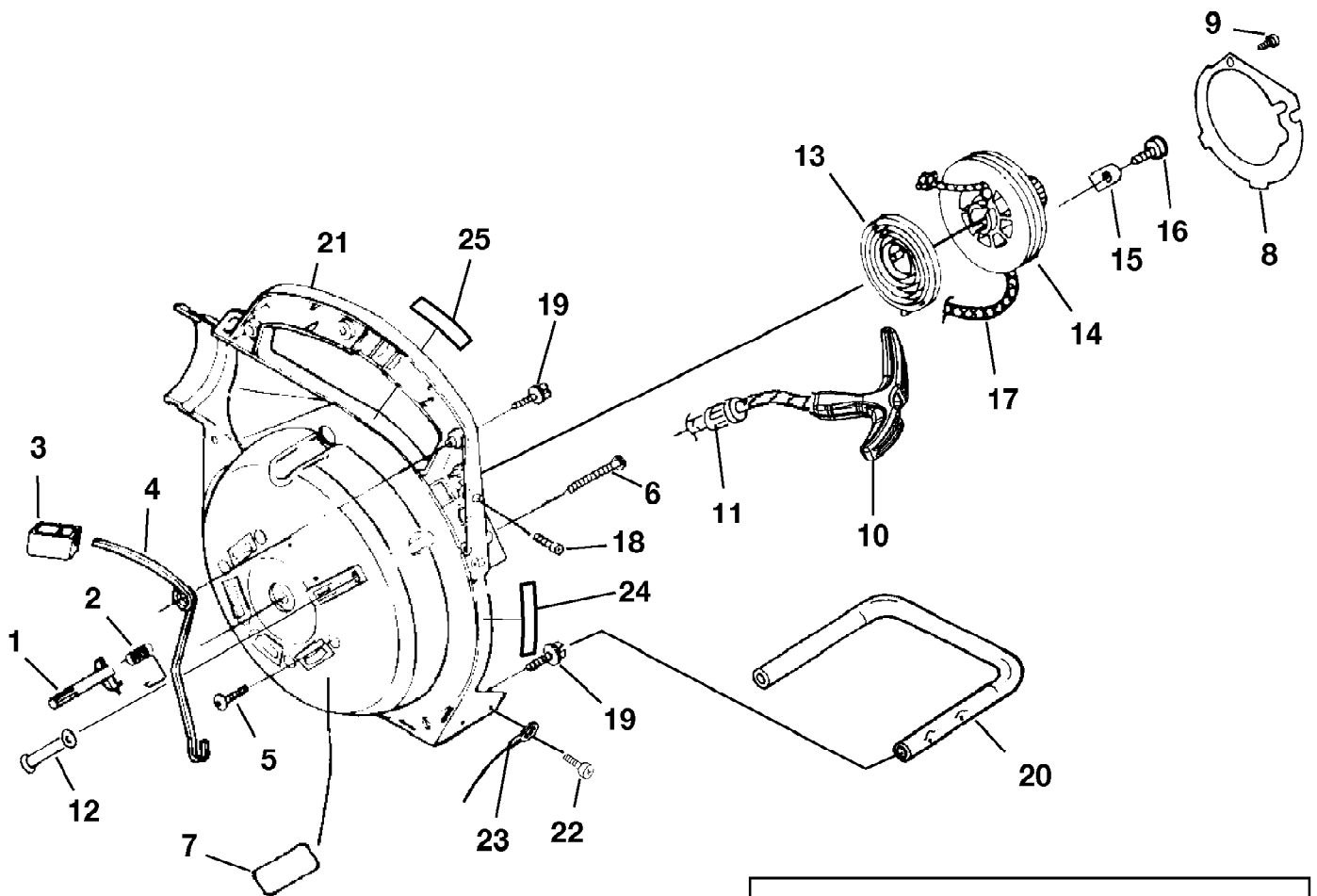
| Ref # | Part Number | Qty | S/P/F | Description                         |
|-------|-------------|-----|-------|-------------------------------------|
| 1     | 983929001   | 1   |       | IGNITION KIT w/ Module INCLUDES 1-3 |
| 2     | PS02762     | 1   | S     | IGNITION MODULE                     |
| 3     | PS02227     | 1   | S/P   | SPARK PLUG                          |
| 4     | 82540       | 2   | /P    | SCREW-Thread Form. (8-32 x 1)       |
| 5     | UP03009A    | 1   |       | ROTOR & STARTER PAWLS               |
| 6     | 95479A      | 1   | /P    | WASHER-Flat                         |
| 7     | PS03566     | 1   | S/P   | SPACER-Fan                          |



| TORQUE SPECIFICATIONS |        |         |                  |
|-----------------------|--------|---------|------------------|
| Item No.              | In/Lbs | Nm      | Required Loctite |
| 1                     | 40-50  | 4.5-5.6 |                  |
| 3                     | 30-40  | 3.4-4.5 |                  |

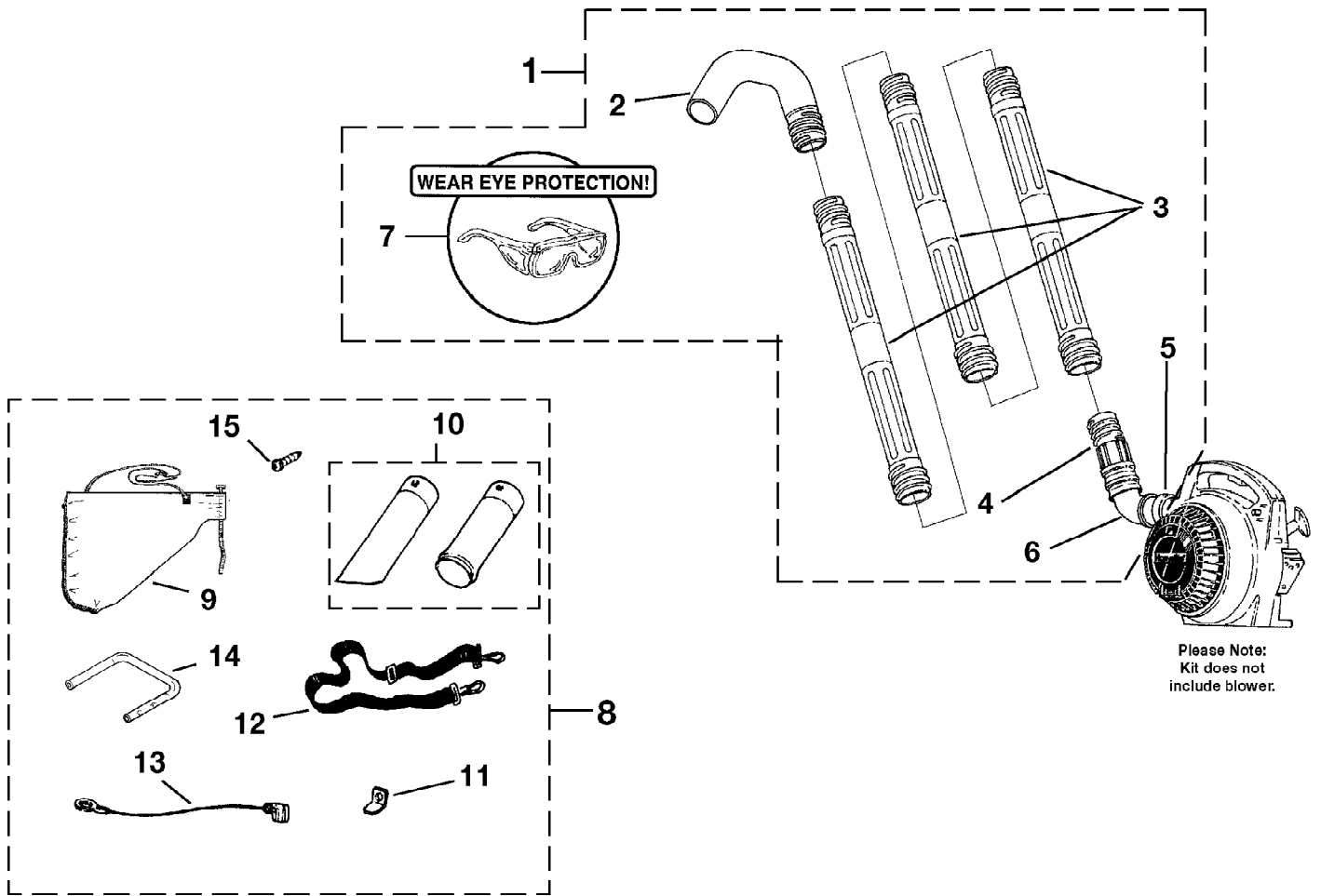
| Ref # | Part Number | Qty | S/P/F | Description      |
|-------|-------------|-----|-------|------------------|
| 1     | PA01668     | 1   | /P    | MUFFLER-Complete |
| 2     | 09217       | 1   | /P    | AIR FILTER BOX   |
| 3     | 81208       | 2   | /P    | NUT-Hex (10-24)  |
| 4     | 98760       | 1   | /P    | AIR FILTER       |
| 5     | 09218       | 1   | /P    | AIR FILTER COVER |
| 6     | 00772       | 1   |       | DECAL-Choke      |



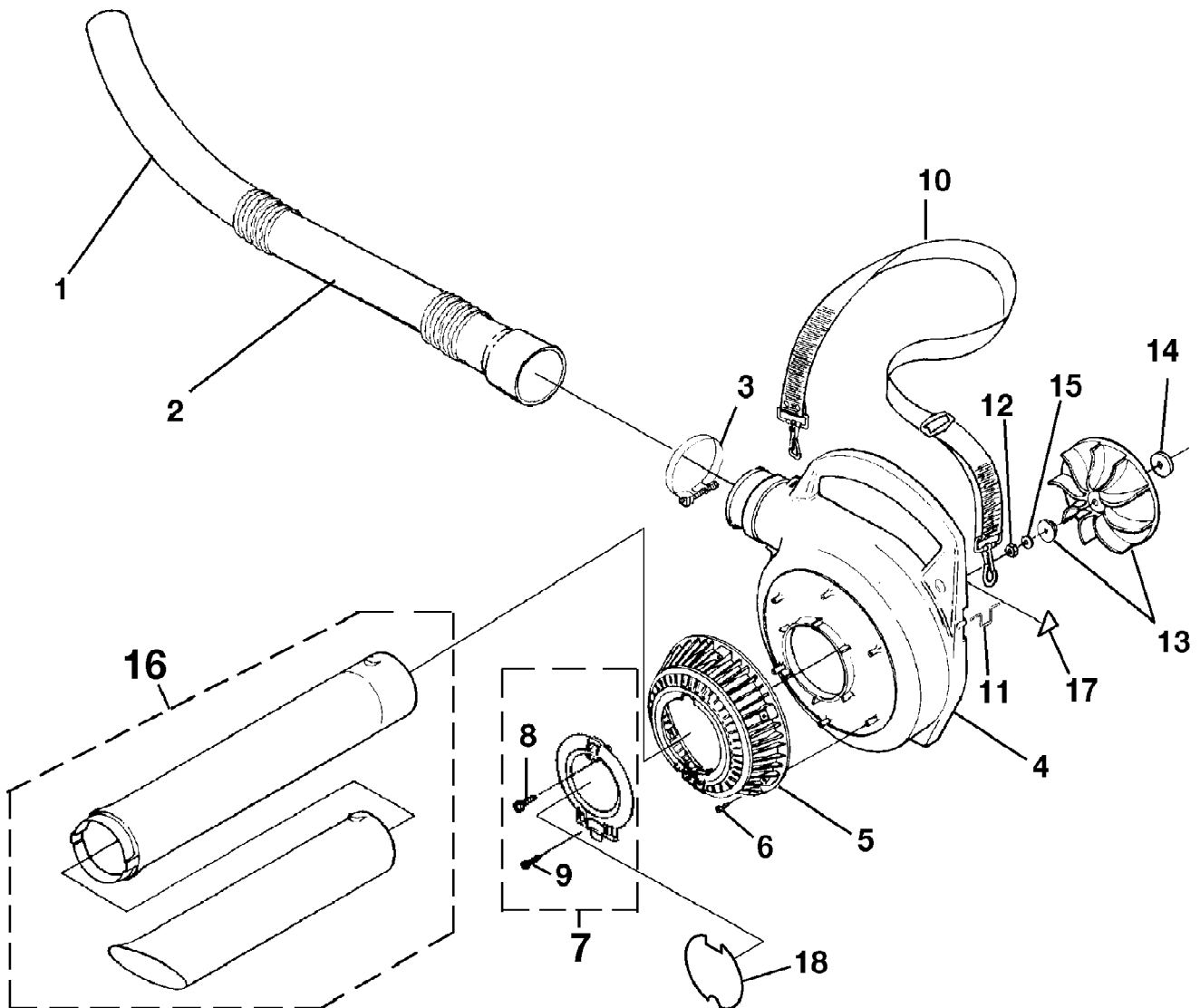


| TORQUE SPECIFICATIONS |        |         |                  |
|-----------------------|--------|---------|------------------|
| Item No.              | In/Lbs | Nm      | Required Loctite |
| 5                     | 55-60  | 6.2-6.8 |                  |
| 6                     | 20-30  | 2.3-3.4 |                  |
| 9                     | 8-12   | 9-1.4   |                  |
| 16                    | 30-40  | 3.4-4.5 |                  |
| 18                    | 20-30  | 2.3-3.4 |                  |
| 19                    | 20-30  | 2.3-3.4 |                  |
| 22                    | 8-12   | 9-1.4   |                  |

| Ref # | Part Number | Qty | S/P/F | Description                      |
|-------|-------------|-----|-------|----------------------------------|
| 1     | 00368A      | 1   | /P    | LATCH-Throttle                   |
| 2     | 00370       | 1   | S/P   | SPRING-Throttle Latch            |
| 3     | 00367       | 1   | /P    | TRIGGER-Throttle                 |
| 4     | 00369A      | 1   | /P    | LEVER-Throttle                   |
| 5     | 82538       | 4   | /P    | SCREW-Thread Form. (10-24 X 3/4) |
| 6     | JA416903    | 1   | /P    | SCREW-Thread Form. (#10 X 1 5/8) |
| 7     | 08684       | 5   | S/P   | HEAT SHIELD                      |
| 8     | 00374       | 1   | /P    | PLATE-Rotor                      |
| 9     | 82528       | 1   | /P    | SCREW-Thread Form. (#6 X 1 3/8)  |
| 10    | PS01200     | 1   | /P    | GRIP-Starter (Yellow)            |
| 11    | 969811A     | 1   | /P    | BUSHING-Starter                  |
| 12    | 00364B      | 1   | S/P   | GUIDE-Starter Rope               |
| 13    | A98773A     | 1   | S/P   | SPRING & CONTAINER               |
| 14    | 98770A      | 1   | /P    | PULLEY-Starter                   |
| 15    | 98791       | 2   | /P    | BRACKET-Retaining                |
| 16    | 82541       | 2   | /P    | SCREW-Thread Form. (#10 X 1/2)   |
| 17    | 9789901     | 1   | /P    | ROPE-Starter                     |
| 18    | PS82146     | 1   | S/P   | SCREW-Phil. Hd. (8-32 X 5/8)     |
| 19    | 82563       | 4   | /P    | SCREW-Thread Form. (10-24 X 3/4) |
| 20    | 00393       | 1   | /P    | HANDLE                           |
| 21    | PS03167     | 1   |       | INNER VOLUTE HOUSING             |
| 22    | 82348A      | 2   | /P    | SCREW                            |
| 23    | A07238      | 1   | /P    | LEAD-Ground                      |
| 24    | PS02146     | 1   |       | DECAL-Help                       |
| 25    | PS02311     | 1   |       | LABEL-Decible Level 67 d B (A)   |



| Ref # | Part Number | Qty | S/P/F | Description                            |
|-------|-------------|-----|-------|--|
| 1     | A07069 A    | 1   |       | GUTTER MAINTENANCE KIT INCLUDES<br>1-7 |
| 2     | 07543       | 1   | /P    | FULL ELBOW                             |
| 3     | 07498       | 3   | /P    | STRAIGHT TUBE                          |
| 4     | 08711A      | 1   | /P    | ADAPTER GUTTER ATTACHMENT              |
| 5     | 00433B      | 1   | S/P   | CLAMP w/Fasteners                      |
| 6     | A07627      | 1   | S     | ADAPTER & ELBOW                        |
| 7     | 02557A      | 1   | /P    | SAFETY GLASSES-Clear                   |
| 8     | 984912001   | 1   | /P    | VACUUM KIT INCLUDES 8-15               |
| 9     | PS02375     | 1   | /P    | LEAF BAG                               |
| 10    | 984909001   | 1   |       | VACUUM TUBE KIT w/ Decal               |
| 11    | 02851       | 1   | /P    | TAB-Male                               |
| 12    | 96337C      | 1   | /P    | HARNESS-Shoulder                       |
| 13    | A07238      | 1   | /P    | LEAD-Ground                            |
| 14    | 00393       | 1   | /P    | HANDLE                                 |
| 15    | 82348A      | 1   | /P    | SCREW                                  |
|       | PS06319     | 1   |       | OPERATOR'S MANUAL - UT08929A           |
|       | PS06320     | 1   |       | OPERATOR'S MANUAL - UT08930A           |
|       | 983000117   | 1   |       | OPERATOR'S MANUAL - UT08121            |



| TORQUE SPECIFICATIONS |         |           |                  |
|-----------------------|---------|-----------|------------------|
| Item No.              | In/Lbs  | Nm        | Required Loctite |
| 6                     | 8-12    | 9-1.4     |                  |
| 8                     | 10-20   | 1.1-2.3   |                  |
| 9                     | 8-12    | 9-1.4     |                  |
| 12                    | 130-150 | 14.7-16.9 |                  |

| Ref # | Part Number | Qty | S/P/F | Description                          |
|-------|-------------|-----|-------|--------------------------------------|
| 1     | PS02942     | 1   |       | NOZZLE, ROUND                        |
| 2     | PS02885     | 1   |       | TUBE, UPPER YB                       |
| 3     | 00433B      | 1   | S/P   | CLAMP w/Fasteners                    |
| 4     | PS03169     | 1   | /P    | OUTER VOLUTE HOUSING                 |
| 5     | 00320       | 1   |       | BLOWER VAC GRILLE                    |
| 6     | 82528       | 6   | /P    | SCREW-Thread Form. (#6 X 3/8)        |
| 7     | 984910001   | 1   | /P    | ACCESS DOOR KIT INCLUDES 7-9         |
| 8     | 82312       | 1   | /P    | SCREW-Thread Rolling (#10 X 5/8)     |
| 9     | 82376       | 1   | /P    | SCRE W-Thread Form. (#8 X 1/2)       |
| 10    | 96337C      | 1   | /P    | SHOULDER STRAP                       |
| 11    | 00398       | 1   | /P    | WIRE LOOP                            |
| 12    | 81124A      | 1   | /P    | NUT-Hex (3/8-24)                     |
| 13    | 984911001   | 1   | S/P   | BLOWER FAN KIT                       |
| 14    | 03165       | 1   | S/P   | WASHER-Flat                          |
| 15    | 03163       | 1   | /P    | WASHER-Bellville (3/8)               |
| 16    | 984909001   | 1   |       | TUBE Kit w/Decals(Vacuum units only) |
| 17    | 09201       | 1   |       | DECAL-Idle Adjustment                |
| 18    | PS01679     | 1   |       | DECAL-Model ID                       |