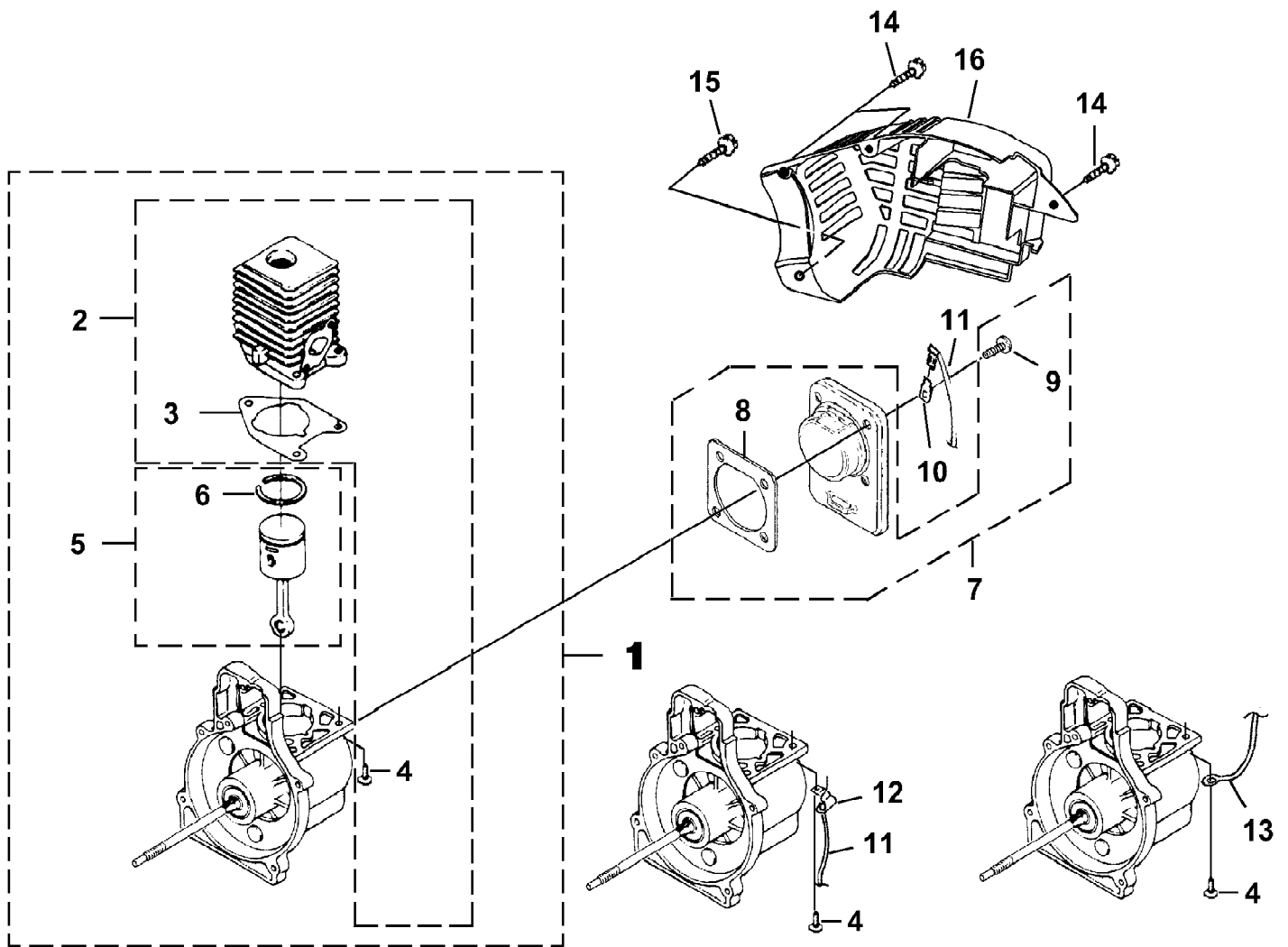
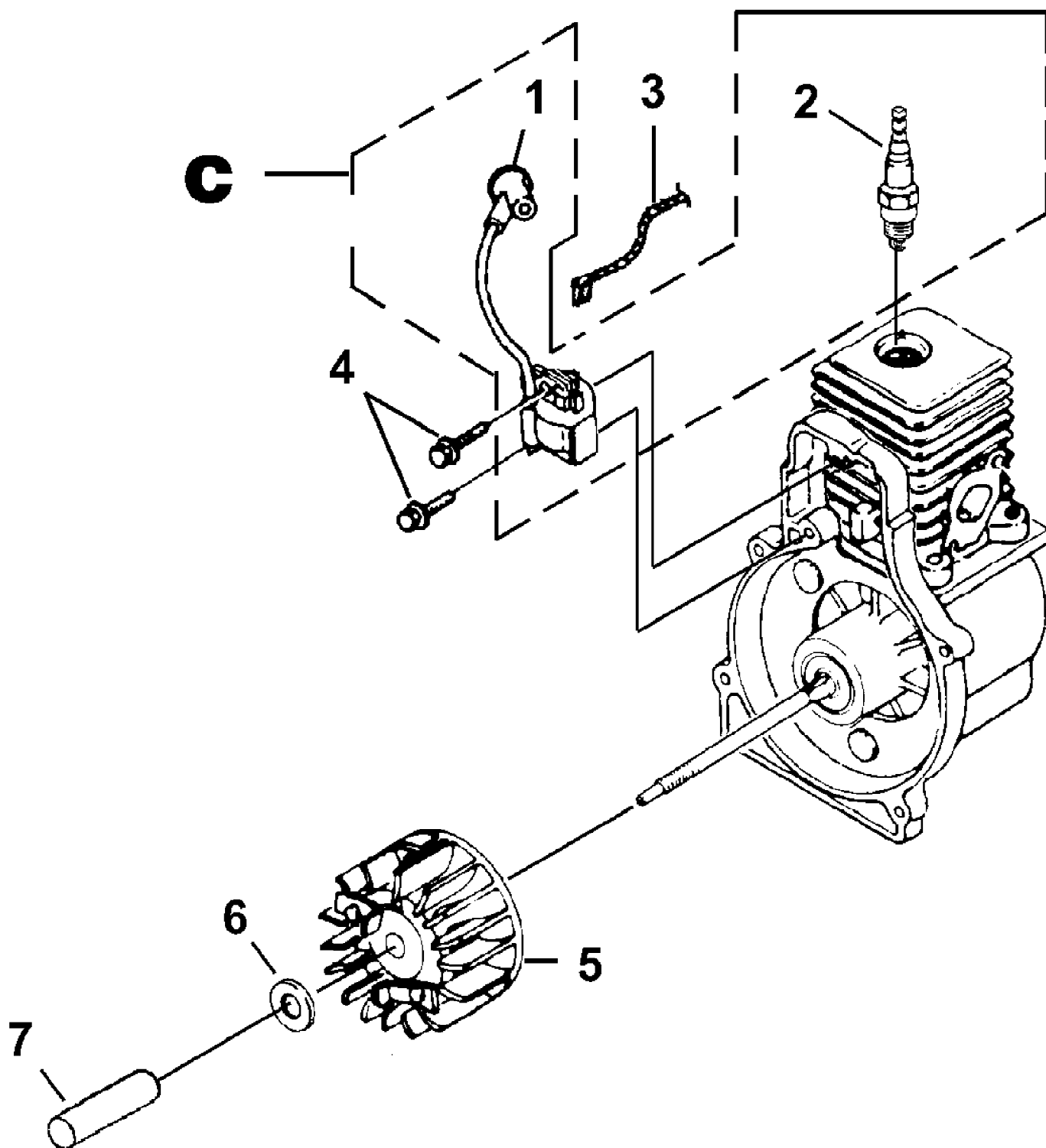


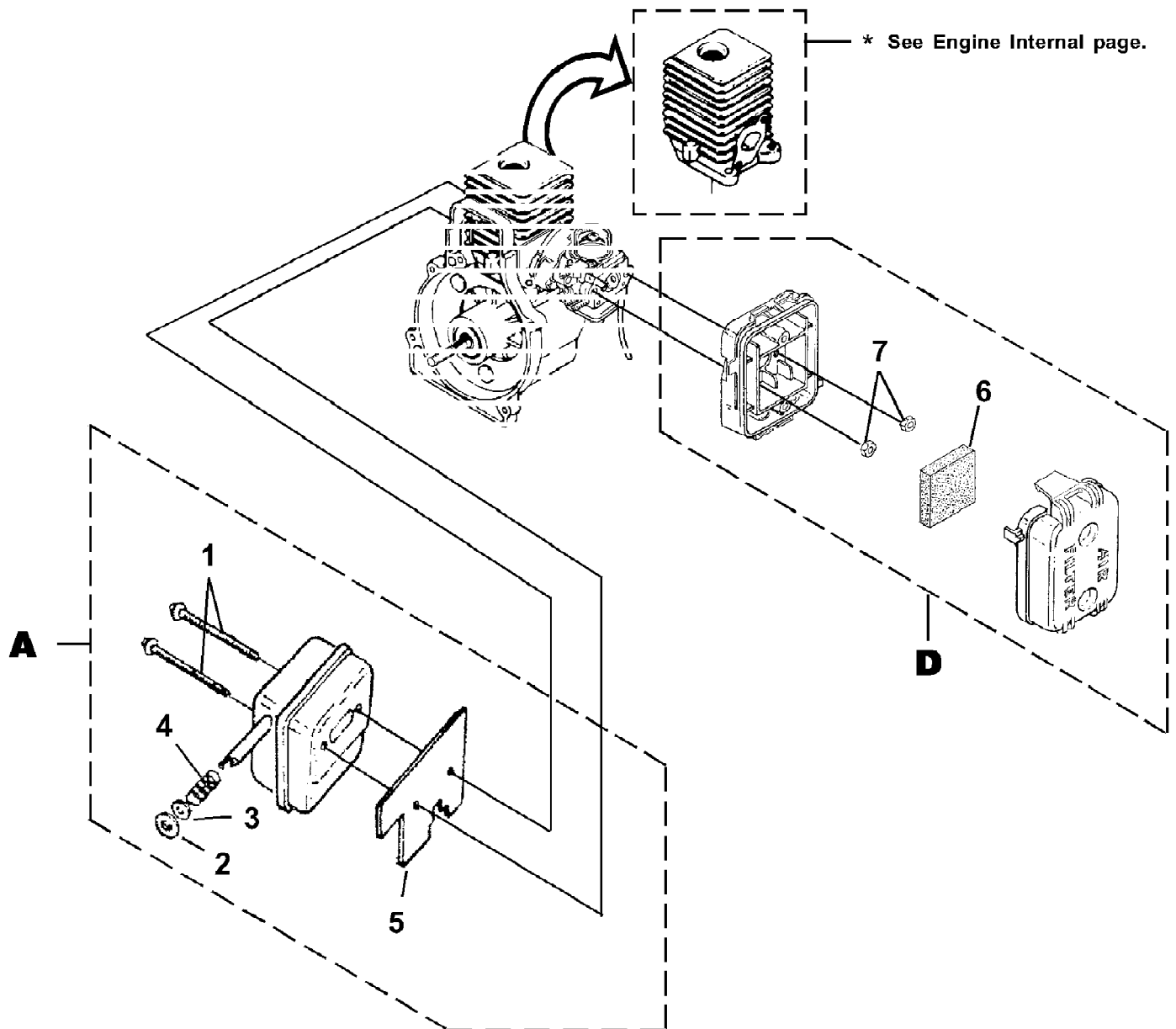
Ref #	Part Number	Qty	S/P/F	Description
1	UP06339	1	S/P	GASKET-Heat Dam to Cylinder
2	UP04307	2	S	SCREW-Shoulder Torque Specs 30-40 In/Lbs, 3.4-4.5 Nm.
3	UP06344	1		HEAT DAM Complete Includes item 4
4	UP06337	1		TUBE-Tuned
5	UP04140	3	S	SCREW-Sems (10-24 x 1") Torque Specs 40-50 In/Lbs, 4.5-5.6 Nm. Required Loctite Red 262
6	UP06338	1		ADAPTOR
7	UP06713	1		CARBURETOR KIT (Yard Sweeper) Includes items 8-10
8	UP06333	1		GASKET-Adaptor to Heat Dam
9	UP06335	1		GASKET-Adaptor to Carburetor
10	UP05810	1	/P	LEVER-Choke
7	UP06783	1		CARBURETOR KIT (Back Packer) Includes items 8-10
8	UP07816	1		GASKET-Adaptor to Heat Dam
9	UP06335	1		GASKET-Adaptor to Carburetor
10	UP05810	1	/P	LEVER-Choke
11	UP06717	1		FUEL TANK ASSY. Includes items 12-17
12	UP03871	1	S/P	FILTER-Fuel
13	UP07820	1		TUBING-Rubber (6")
14	UP07821	1		TUBING-Rubber (6 3/4")
15	UP04708	1	S/P	FUEL CAP
16	UP03501	3	S	BUMPER-Rubber
17	UP03913	1	S	CLAMP



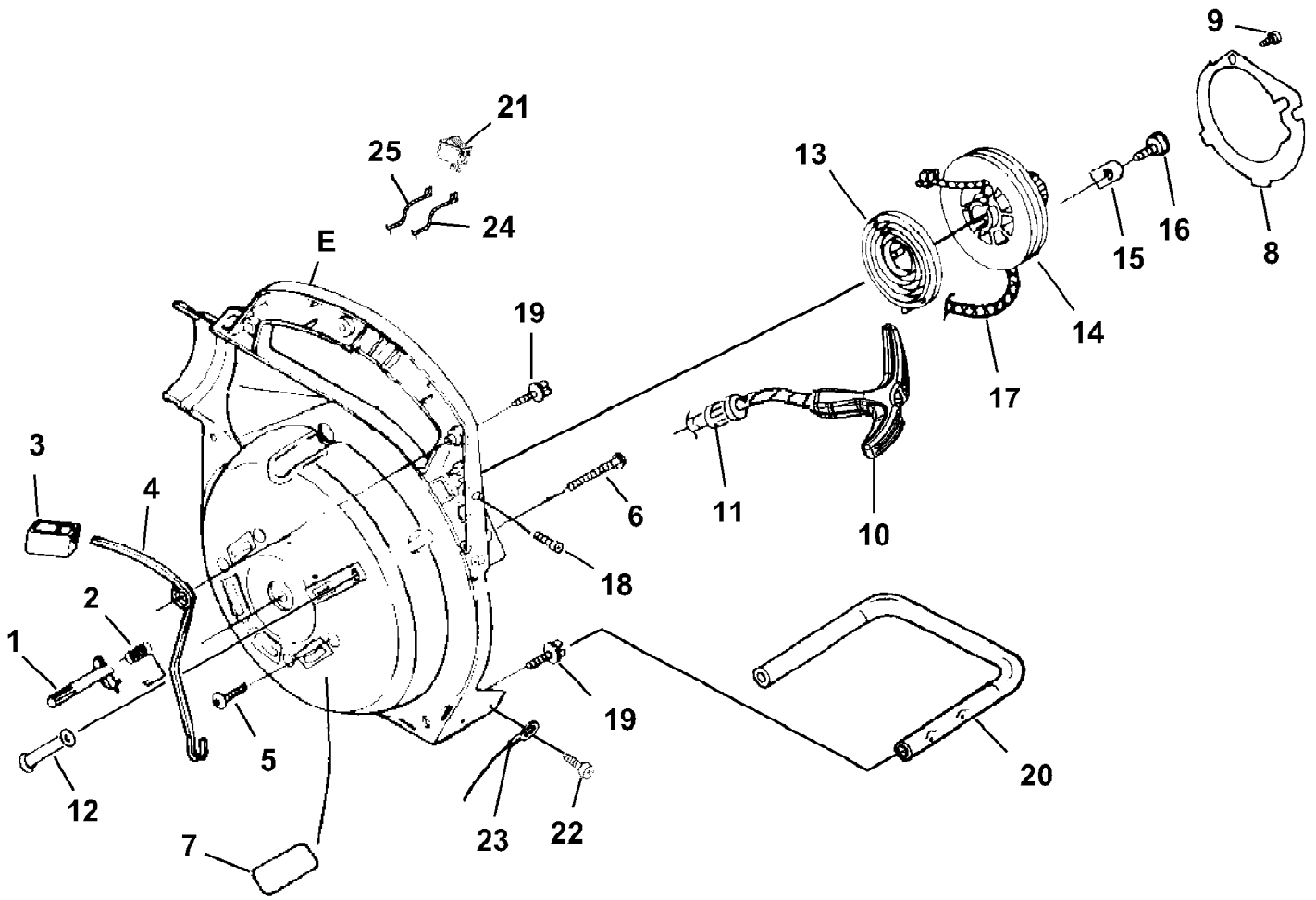
Ref #	Part Number	Qty	S/P/F	Description
1	UP07815	1		SHORT BLOCK (25cc) Includes items 2-9
2	UP06348	1		25 CC CYLINDER KIT Includes items 3-4
3	UP03857	1	S/P	GASKET-Cylinder
4	UP04345	3	S/P	SCREW, SEMS (12-24 x 3/4) Torque Specs 55-65 In/Lbs, 6.2-7.3 Nm. Required Loctite 262 Red
5	UP06347	1	S	25 CC PISTON & ROD Includes item 6
6	UP06346	1	S	RING-Piston
7	UP00019	1	S	CRANKCASE COVER-Stamped Steel Includes items 8-9
8	UP03862	1	S/P	GASKET-Crankcase Also included with Cylinder Kits
9	UP04295	4	S/P	SCREW, SEMS (10-24 x .56) Torque Specs 55-65 In/Lbs, 6.2-7.3 Nm. Required Loctite 262 Red
10	UP03834	1	S	TAB-Male
11	UP06782	1	S/P	CABLE-Throttle w/Ignition Leads (Back Packer)
12	UP04296	1	S	CABLE BRACKET (Back Packer)
13	UP08027	1		Lead-Ground to Switch (Yard Sweeper)
14	UP03893	3	S	SCREW-Thread Form. (#8 X 1/2") Torque Specs 8-12 In/Lbs, .9-1.4 Nm.
15	UP03900	1	S/P	SCREW-Thread Form. (#10 X 3/4") Torque Specs 20-30 In/Lbs, 2.3-3.4 Nm.
16	UP06718	1		SHROUD



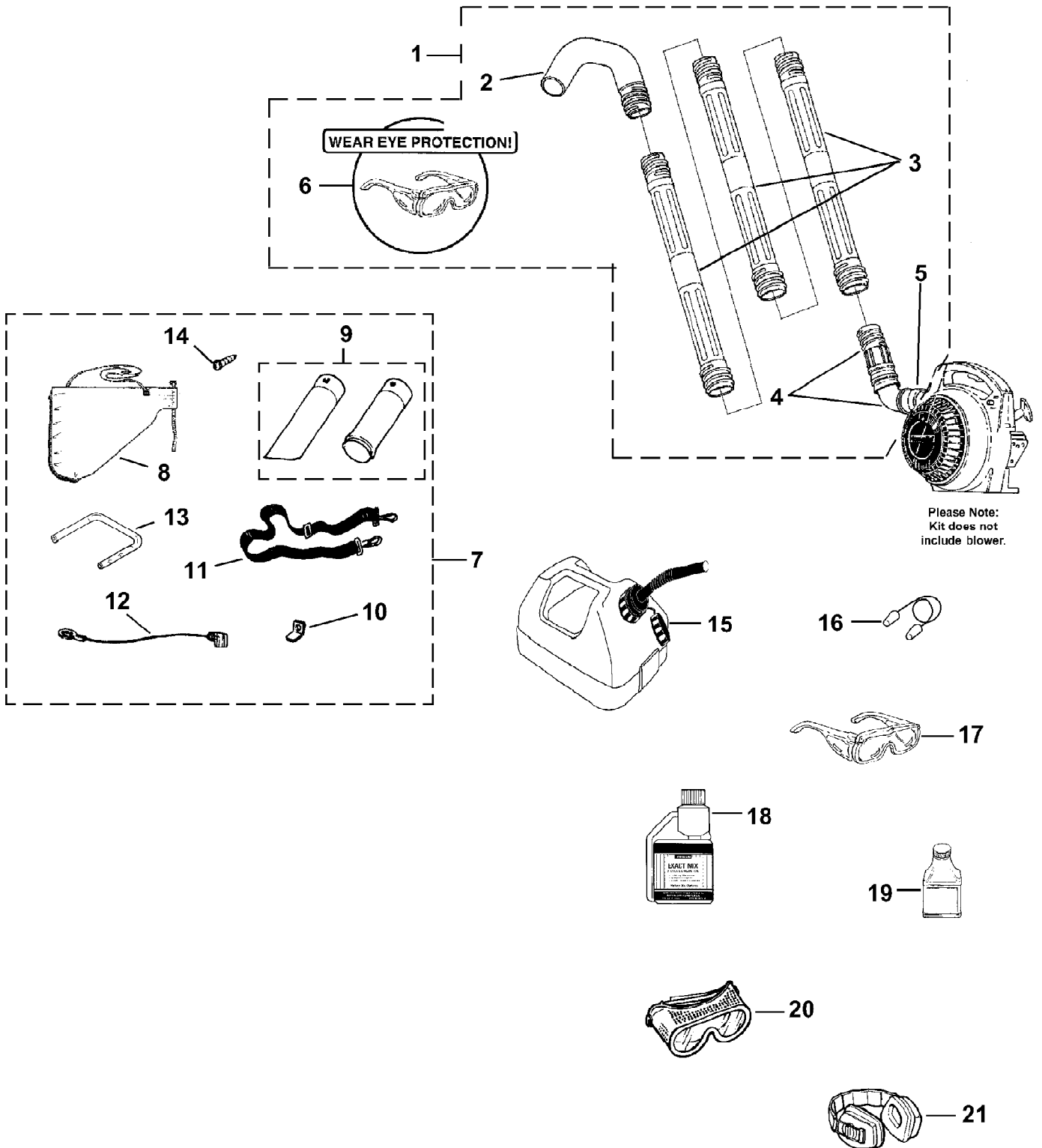
Ref #	Part Number	Qty	S/P/F	Description
C	UP06784	1	/P	IGNITION KIT w/ Module Includes items 2-3
1	UP03868	1	S/P	TERMINAL-Hi-Tension
2	UP05875	1	S	SPARK PLUG Torque Specs 120-180 In/Lbs, 13.6-20.3
3	UP06782	1	S/P	CABLE-Throttle w/Ignition Leads (Back Packer)
4	UP08026	1		Lead-Ignition to Switch (Yard Sweeper)
	UP03896	2	S/P	SCREW-Thread Form. (8-32 x 1") Torque Specs 30-40 In/Lbs, 3.4-4.5 Nm. Required Loctite 242 Blue
5	UP07817	1	S	ROTOR & STARTER PAWLS
6	UP03906	1	S/P	WASHER-Flat
7	UP03854	1	S/P	SPACER-Fan



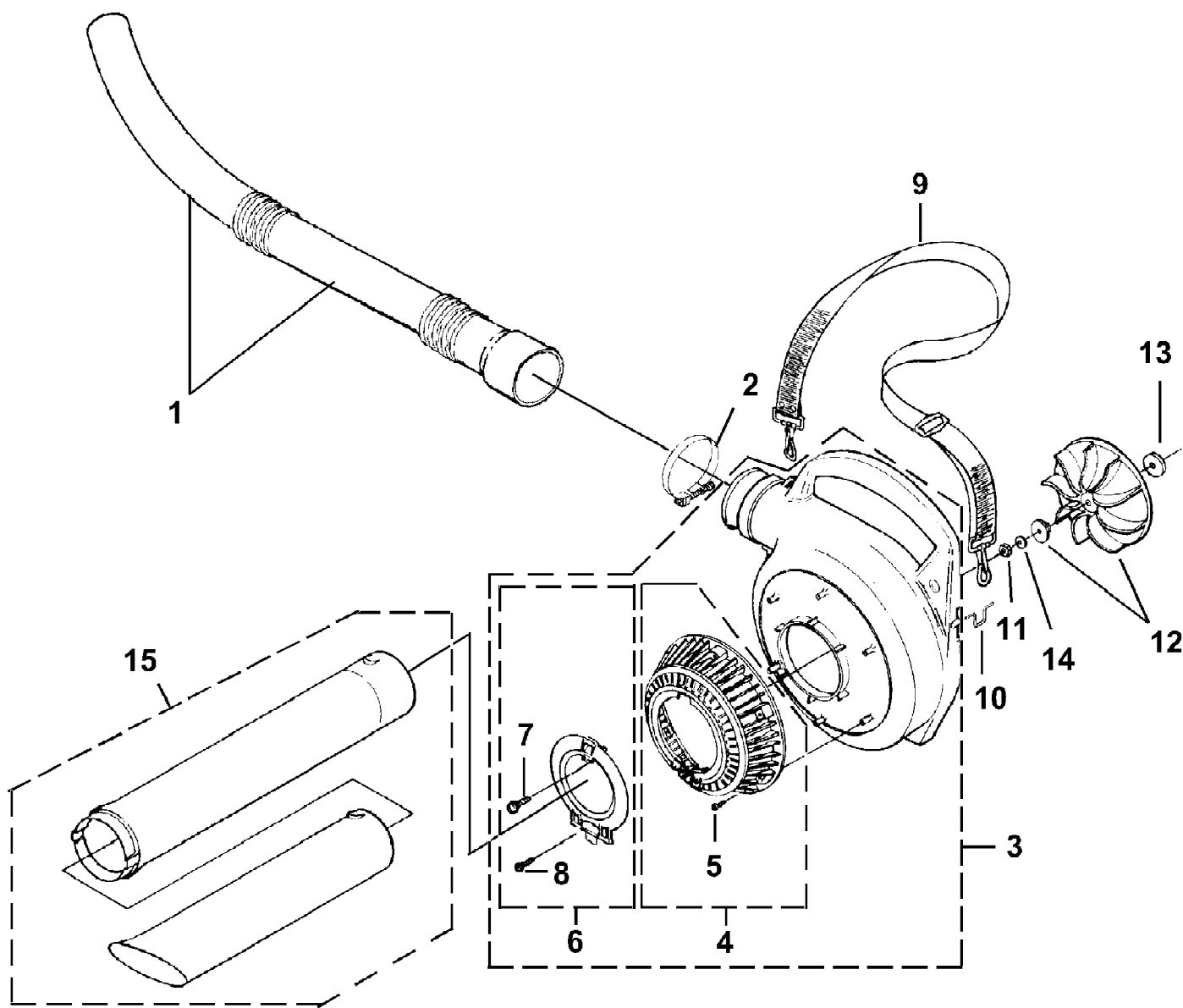
Ref #	Part Number	Qty	S/P/F	Description
A	UP06711	1	S	MUFFLER-Complete Includes items 1-5
1	UP03902	2	S	SCREW-Sems Hex Hd. (10-24 x 2 1/2") Torque Specs 40-50 In/Lbs, 4.5-5.6 Nm.
2	UP03813	1	S	WASHER-Insulating
3	UP03901	1	S	WASHER-Flat
4	UP03814	1	S	SPRING-Compression
5	UP03817	1	S/P	GASKET-Muffler Also included with Short block & Cylinder Kits.
D	UP06715	1		AIR FILTER KIT Includes items 6-7
6	UP00012	1	/P	AIR FILTER
7	UP03885	2	S	NUT-Hex (10-24) Torque Specs 30-40 In/Lbs, 3.4-4.5 Nm.



Ref #	Part Number	Qty	S/P/F	Description
1	UP07818	1		LATCH-Throttle
2	UP03811	1	S	SPRING-Throttle Latch
3	UP03798	1	S	TRIGGER-Throttle
4	UP07819	1		LEVER-Throttle
5	UP03406	4	S	SCREW-Thread Form. (10-24 X 3/4") Torque Specs 55-60 In/Lbs, 6.2-6.8 Nm.
6	UP03869	1	S	SCREW-Thread Form. (#10 X 1 5/8") Torque Specs 20-30 In/Lbs, 2.3-3.4 Nm.
E	UP06716	1		VOLUTE HOUSING & STARTER Includes items 7-17
7	UP03822	1	S	KIT-Sealing
8	UP04279	1	S	PLATE-Rotor
9	UP03894	1	S	SCREW-Thread Form. (#6 X 1 3/8") Torque Specs 8-12 In/Lbs, .9-1.4 Nm.
10	UP03026	1	S	GRIP-Starter (Yellow)
11	UP03910	1	S/P	BUSHING-Starter
12	UP03809	1	S	GUIDE-Starter Rope
13	UP03917	1	S	SPRING & CONTAINER
14	UP04349	1	S	PULLEY-Starter
15	UP03919	2	S	BRACKET-Retaining
16	UP03897	2	S	SCREW-Thread Form. (#10 X 1/2") Torque Specs 30-40 In/Lbs, 3.4-4.5 Nm.
17	UP03911	1	S	ROPE-Starter
18	UP03887	1	S/P	SCREW-Phil. Hd. (8-32 X 5/8") Torque Specs 20-30 In/Lbs, 2.3-3.4 Nm.
19	UP03900	5	S/P	SCREW-Thread Form. (10-24 X 3/4") Torque Specs 20-30 In/Lbs, 2.3-3.4 Nm.
20	UP03816	1	S	HANDLE
21	UP05271	1	S	SWITCH-Momentary
22	UP03889	2	S	SCREW
23	UP03823	1	S	LEAD-Ground
24	UP08027	1		Lead-Ground to Switch
25	UP08026	1		Lead-Ignition to Switch



Ref #	Part Number	Qty	S/P/F	Description
1	A07069A	1	S/P	GUTTER MAINTENANCE KIT (Yard Sweeper) Includes items 2-6
2	UP06830	1	S	FULL ELBOW
3	UP05618	3	S	STRAIGHT TUBE
4	UP06836	1	S	UPPER ELBOW & SWIVEL ADAPTER
5	UP03821	1	S/P	CLAMP w/Fasteners
6	UP06835	1	S	SAFETY GLASSES-Clear
7	UP04152	1	S/P	VACUUM KIT (Yard Sweeper) Includes 8-15
8	UP04548	1	S/P	LEAF BAG
9	UP06705	1	S	VACUUM TUBE KIT w/ Decal
10	UP03834	1	S	TAB-Male
11	UP06723	1	S/P	HARNESS-Shoulder
12	UP03823	1	S	LEAD-Ground
13	UP03816	1	S	HANDLE
14	UP03889	1	S	SCREW
15	A02976A	1		GAS CAN 1 1/4 Gallon
16	UP06839	1		EAR PLUGS
17	UP06835	1	S	SAFETY GLASSES-Clear
18	01231D	1	S	EXACT MIX(TM) Oil - 1 pint (50:1)
19	08581	1	S/P	EXACT MIX(TM) Oil - 2.6 oz. (50:1)
20	UP06778	1		GOGGLES
21	UP07694	1		EAR PROTECTORS



Ref #	Part Number	Qty	S/P/F	Description
1	UP05585	1	S	BLOWER TUBE KIT
2	UP03821	1	S/P	CLAMP w/Fasteners
3	UP03861	1	S/P	VOLUTE HOUSING KIT Includes items 3-8
4	UP06720	1	S	BLOWER VAC GRILLE KIT Includes item 5
5	UP03894	6	S	SCREW-Thread Form. (#6 X 3/8") Torque Specs 8-12 In/Lbs, .9-1.4 Nm.
6	UP06613	1	S/P	ACCESS DOOR KIT Includes items 7-8
7	UP03888	1	S/P	SCREW-Thread Rolling (#10 X 5/8") Torque Specs 10-20 In/Lbs, 1.1-2.3 Nm.
8	UP03893	1	S	SCREW-Thread Form. (#8 X 1/2") Torque Specs 8-12 In/Lbs, .9-1.4 Nm.
9	UP06723	1	S/P	SHOULDER STRAP
10	UP03818	1	S	WIRE LOOP
11	UP03884	1	S/P	NUT-Hex (3/8-24) Torque Specs 130-150 In/Lbs, 14.7-16.9 Nm.
12	UP06826	1	S/P	BLOWER FAN KIT
13	UP03836	2	S	WASHER-Flat
14	UP03835	1	S	WASHER-Bellville (3/8")
15	UP06705	1	S	TUBE Kit w/Decals (Vacuum units only)