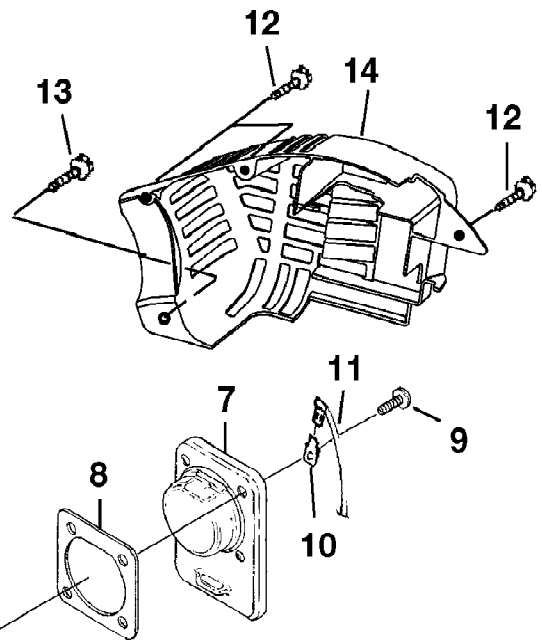
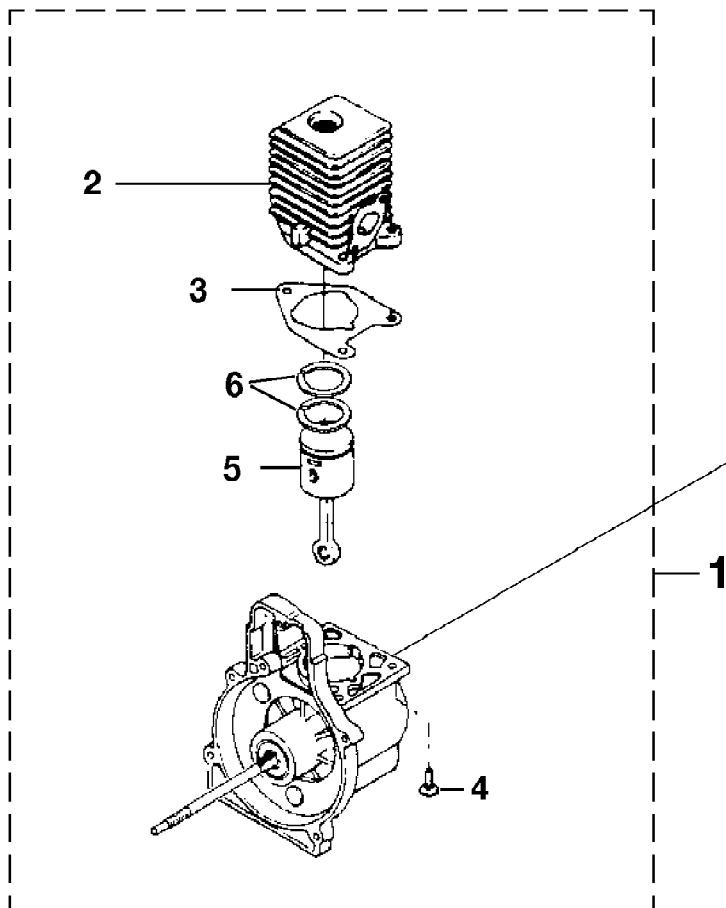


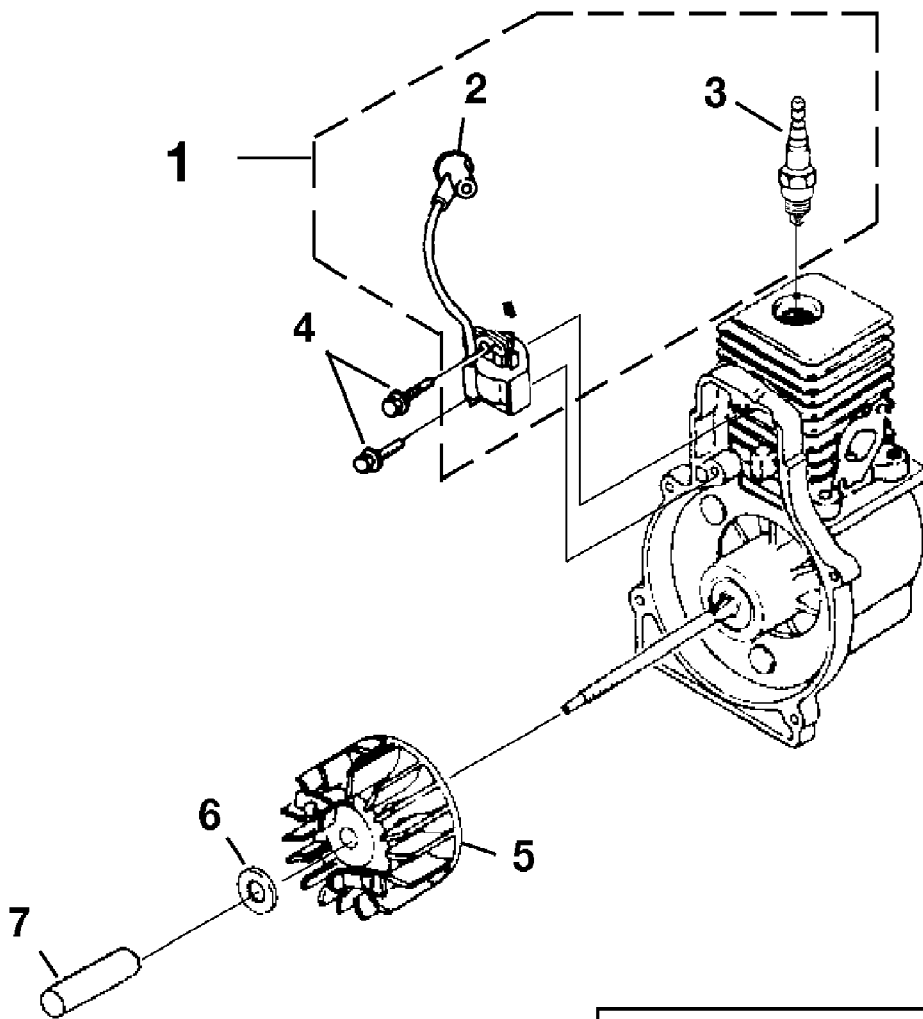
TORQUE SPECIFICATIONS			
Item No.	In/Lbs	Nm	Required Loctite
10	30-40	3.4-4.5	
12	40-50	4.5-5.6	262 Red

Ref #	Part Number	Qty	S/P/F	Description
1	984907001	1	S/P	FUEL TANK KIT (UT08929A, UT08930A) INCLUDES 1-6
1	985202001	1		FUEL TANK KIT (UT08121) INCLUDES 1-6
2	A09116	1	S/P	FUEL CAP
3	98792	3	/P	BUMPER-Rubber
4	0143912	1	S/P	TUBING-Rubber (3")
5	07332	1	S/P	Fitting-Inlet (small for 2.5mm ID fuel line)
6	08684	1	S/P	HEAT SHIELD
7	984908001	1	/P	CARBURETOR KIT (UT08929A,UT08930A) INCLUDES 7-8
8	PS06325	1	S	GASKET-Carburetor
7	985074001	1		CARBURETOR KIT (UT08121) INCLUDES 7-10
8	985534001	1		GASKET-Carburetor
9	5945603	1	/P	SPACER, PLASTIC
10	98766A	1	S/P	GASKET, CARBURETOR
11	98768A	1	/P	HEAT DAM
12	093221	2	S/P	SCREW, SEMS (10-24 x 1.110)
13	00775A	1	S/P	GASKET-Heat Dam
14	6634602	2		SCREW-Thread Form. (10-24 x 1)



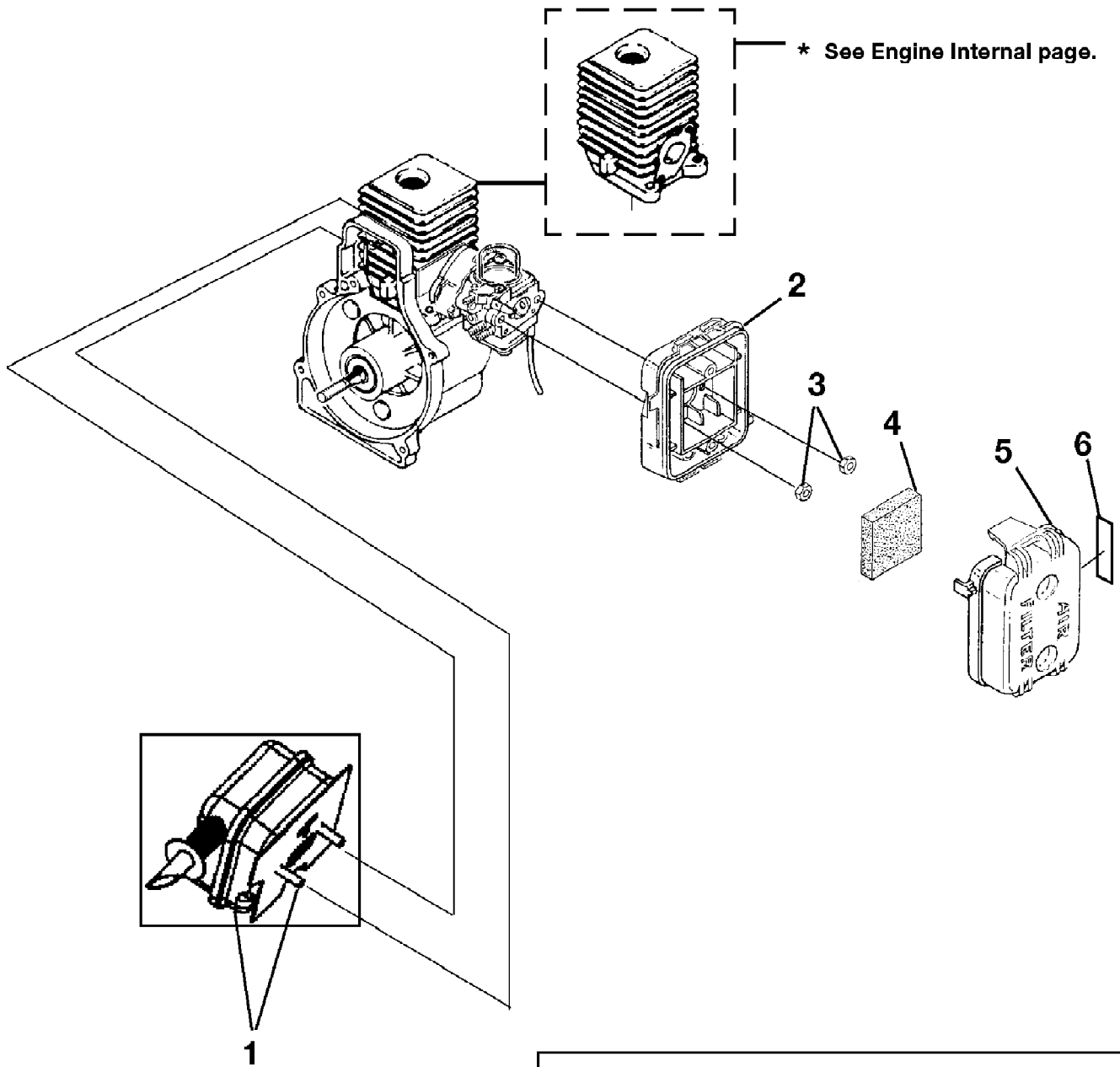
TORQUE SPECIFICATIONS			
Item No.	In/Lbs	Nm	Required Loctite
4	55-65	6.2-7.3	.262 Red
9	55-65	6.2-7.3	.262 Red
12	8-12	.9-1.4	
13	20-30	2.3-3.4	

Ref #	Part Number	Qty	S/P/F	Description
1	983928001	1		SHORT BLOCK (30cc) INCLUDES 1-6
2	985524002	1	/P	30 CC CYLINDER
3	985259001	1	S/P	GASKET-Cylinder
4	PS02807	3	/P	SCREW, SEMS (12-24 x 3/4)
5	984543001	1	S	30 CC PISTON & ROD
6	985607001	2	/P	RING-Piston
7	PS02130	1	/P	CRANKCASE COVER
8	06443A	1	S/P	GASKET-Crankcase
9	PS01565	4	/P	SCREW, SEMS (10-24 x .56)
10	02851	1	/P	TAB-Male
11	A07238	1	/P	Lead-Ground to Handle
12	82376	3	/P	SCREW-Thread Form. (#8 X 1/2)
13	82563	1	/P	SCREW-Thread Form. (#10 X 3/4)
14	PS06314	1	/P	Shroud



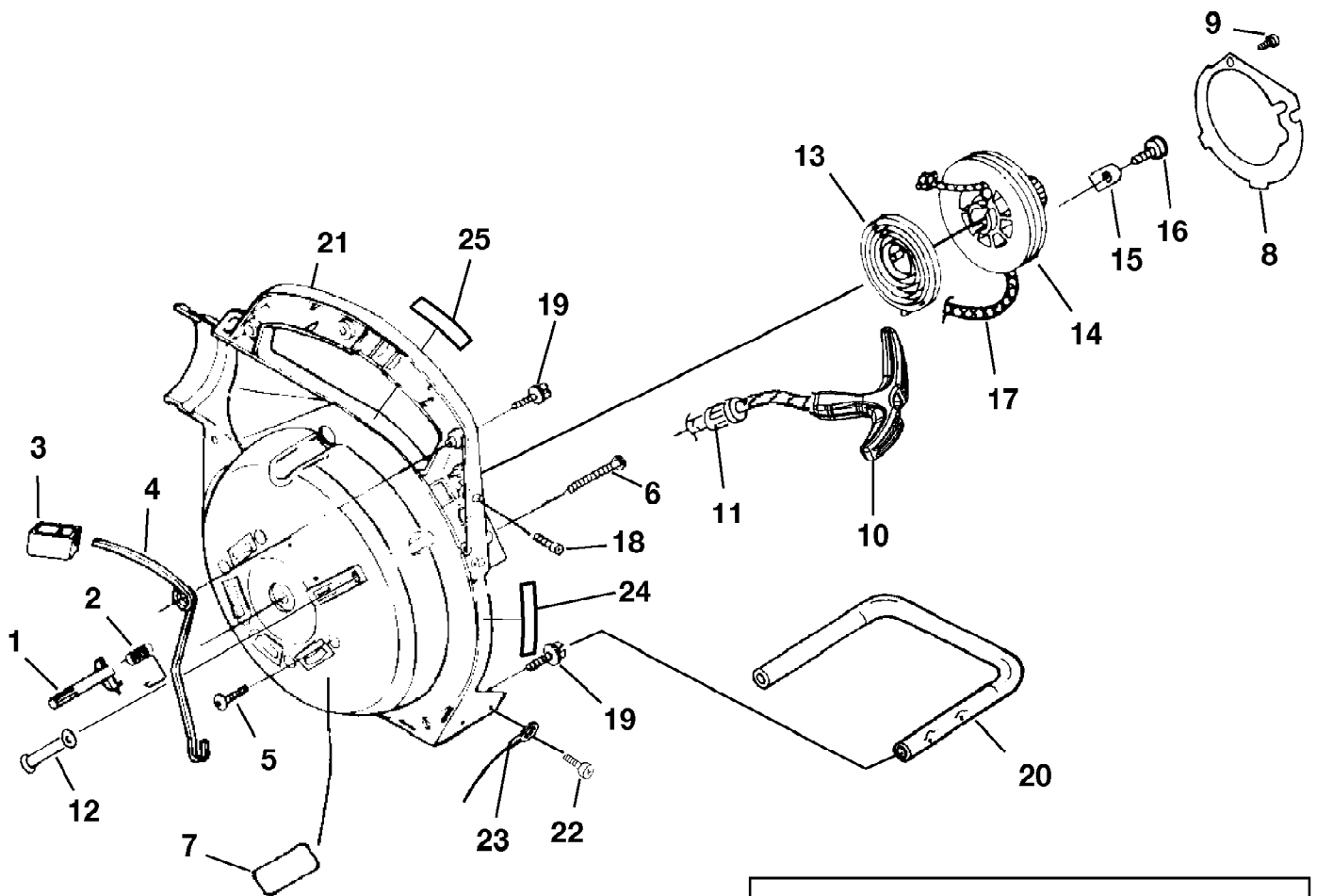
TORQUE SPECIFICATIONS			
Item No.	In/Lbs	Nm	Required Loctite
3	120-180	13.6-20.3	
4	30-40	3.4-4.5	242 Blue

Ref #	Part Number	Qty	S/P/F	Description
1	983929001	1		IGNITION KIT w/ Module INCLUDES 1-3
2	PS02762	1	S	IGNITION MODULE
3	PS02227	1	S/P	SPARK PLUG
4	82540	2	/P	SCREW-Thread Form. (8-32 x 1)
5	UP03009A	1		ROTOR & STARTER PAWLS
6	95479A	1	/P	WASHER-Flat
7	PS03566	1	S/P	SPACER-Fan



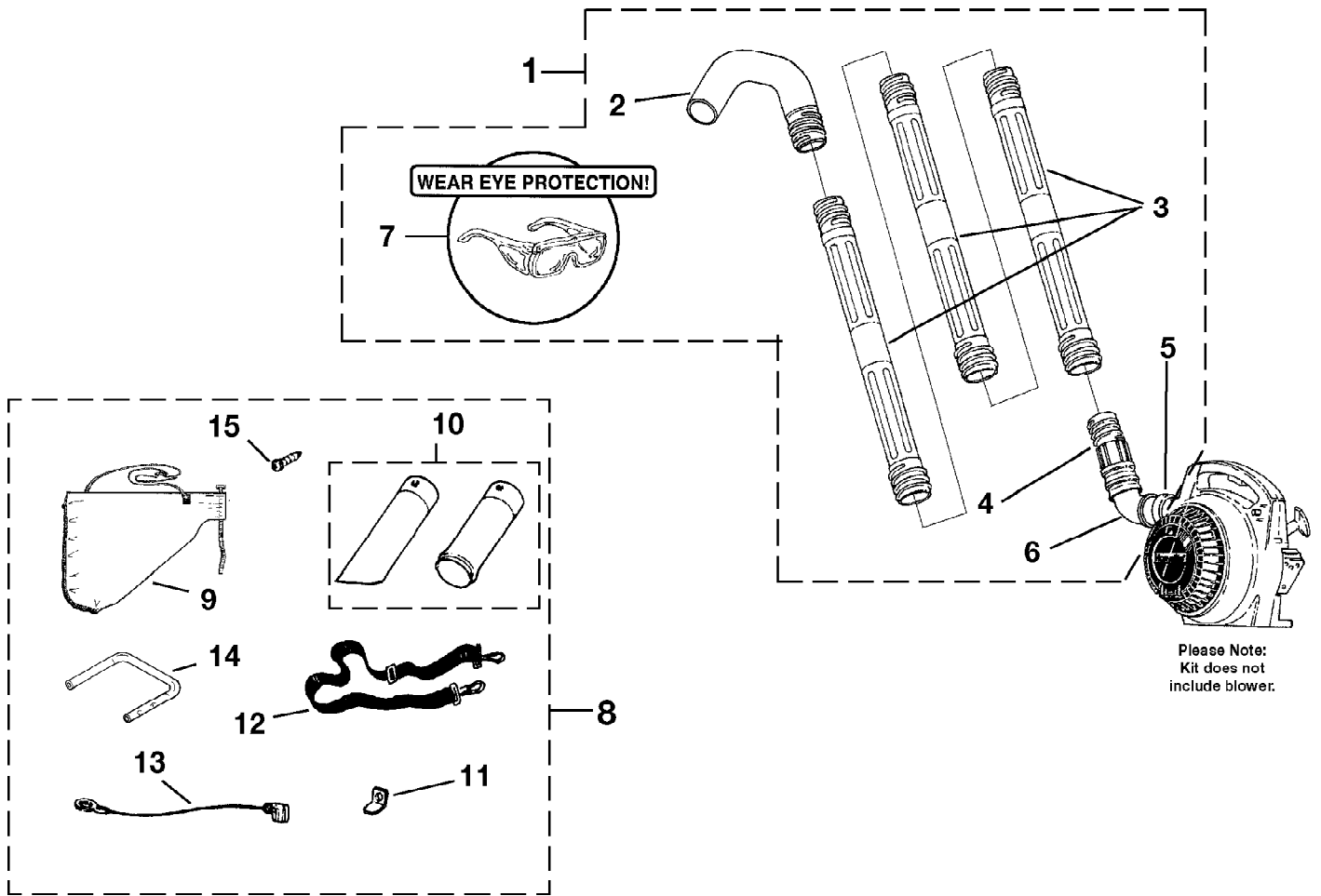
TORQUE SPECIFICATIONS			
Item No.	In/Lbs	Nm	Required Loctite
1	40-50	4.5-5.6	
3	30-40	3.4-4.5	

Ref #	Part Number	Qty	S/P/F	Description
1	PA01668	1	/P	MUFFLER-Complete
2	09217	1	/P	AIR FILTER BOX
3	81208	2	/P	NUT-Hex (10-24)
4	98760	1	/P	AIR FILTER
5	09218	1	/P	AIR FILTER COVER
6	00772	1		DECAL-Choke

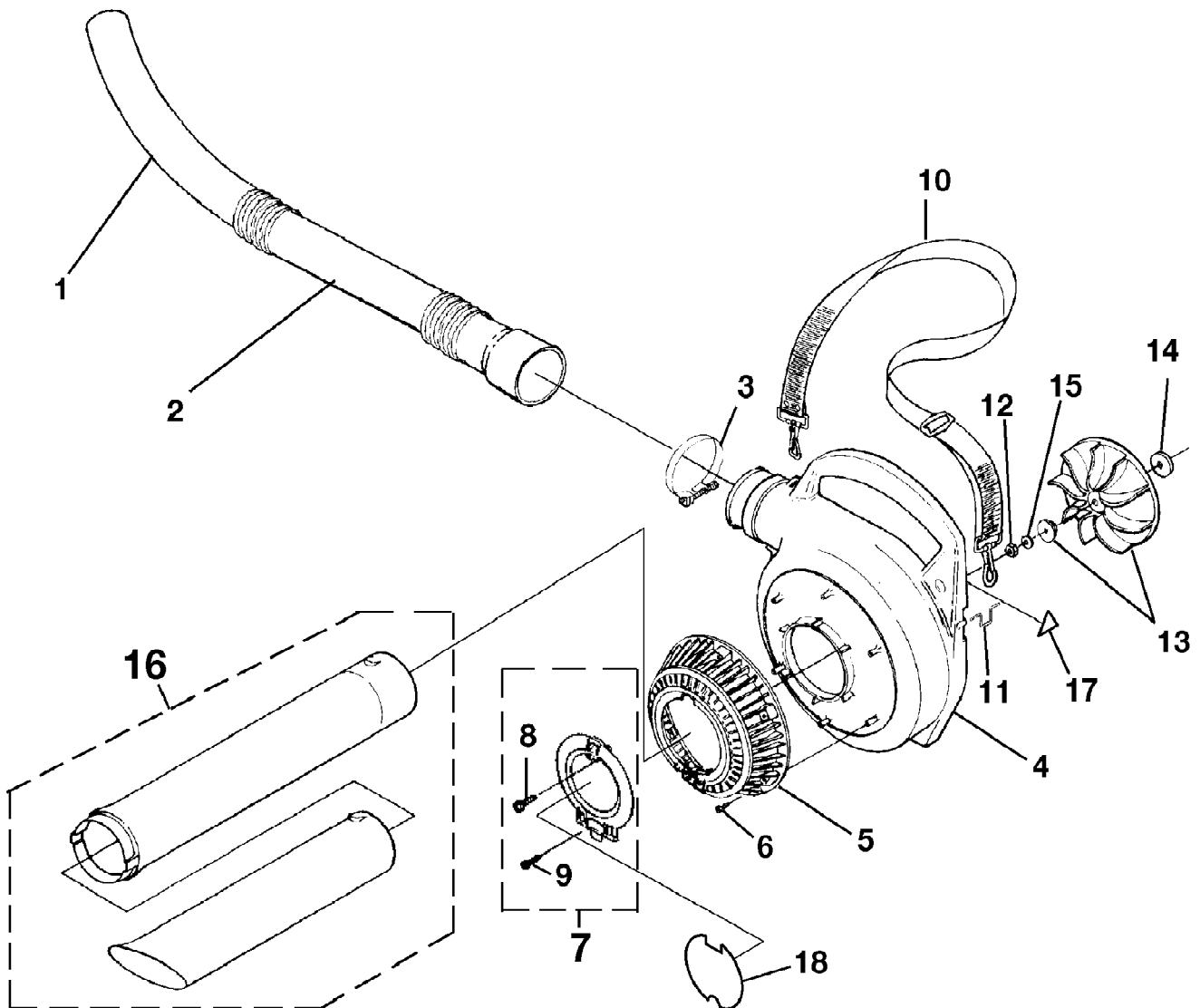


TORQUE SPECIFICATIONS			
Item No.	In/Lbs	Nm	Required Loctite
5	55-60	6.2-6.8	
6	20-30	2.3-3.4	
9	8-12	9-1.4	
16	30-40	3.4-4.5	
18	20-30	2.3-3.4	
19	20-30	2.3-3.4	
22	8-12	9-1.4	

Ref #	Part Number	Qty	S/P/F	Description
1	00368A	1	/P	LATCH-Throttle
2	00370	1	S/P	SPRING-Throttle Latch
3	00367	1	/P	TRIGGER-Throttle
4	00369A	1	/P	LEVER-Throttle
5	82538	4	/P	SCREW-Thread Form. (10-24 X 3/4)
6	JA416903	1	/P	SCREW-Thread Form. (#10 X 1 5/8)
7	08684	5	S/P	HEAT SHIELD
8	00374	1	/P	PLATE-Rotor
9	82528	1	/P	SCREW-Thread Form. (#6 X 1 3/8)
10	PS01200	1	/P	GRIP-Starter (Yellow)
11	969811A	1	/P	BUSHING-Starter
12	00364B	1	S/P	GUIDE-Starter Rope
13	A98773A	1	S/P	SPRING & CONTAINER
14	98770A	1	/P	PULLEY-Starter
15	98791	2	/P	BRACKET-Retaining
16	82541	2	/P	SCREW-Thread Form. (#10 X 1/2)
17	9789901	1	/P	ROPE-Starter
18	PS82146	1	S/P	SCREW-Phil. Hd. (8-32 X 5/8)
19	82563	4	/P	SCREW-Thread Form. (10-24 X 3/4)
20	00393	1	/P	HANDLE
21	PS03167	1		INNER VOLUTE HOUSING
22	82348A	2	/P	SCREW
23	A07238	1	/P	LEAD-Ground
24	PS02146	1		DECAL-Help
25	PS02311	1		LABEL-Decible Level 67 d B (A)



Ref #	Part Number	Qty	S/P/F	Description
1	A07069 A	1		GUTTER MAINTENANCE KIT INCLUDES 1-7
2	07543	1	/P	FULL ELBOW
3	07498	3	/P	STRAIGHT TUBE
4	08711A	1	/P	ADAPTER GUTTER ATTACHMENT
5	00433B	1	S/P	CLAMP w/Fasteners
6	A07627	1	S	ADAPTER & ELBOW
7	02557A	1	/P	SAFETY GLASSES-Clear
8	984912001	1	/P	VACUUM KIT INCLUDES 8-15
9	PS02375	1	/P	LEAF BAG
10	984909001	1		VACUUM TUBE KIT w/ Decal
11	02851	1	/P	TAB-Male
12	96337C	1	/P	HARNESS-Shoulder
13	A07238	1	/P	LEAD-Ground
14	00393	1	/P	HANDLE
15	82348A	1	/P	SCREW
	PS06319	1		OPERATOR'S MANUAL - UT08929A
	PS06320	1		OPERATOR'S MANUAL - UT08930A
	983000117	1		OPERATOR'S MANUAL - UT08121



TORQUE SPECIFICATIONS			
Item No.	In/Lbs	Nm	Required Loctite
6	8-12	9-1.4	
8	10-20	1.1-2.3	
9	8-12	9-1.4	
12	130-150	14.7-16.9	

Ref #	Part Number	Qty	S/P/F	Description
1	PS02942	1		NOZZLE, ROUND
2	PS02885	1		TUBE, UPPER YB
3	00433B	1	S/P	CLAMP w/Fasteners
4	PS03169	1	/P	OUTER VOLUTE HOUSING
5	00320	1		BLOWER VAC GRILLE
6	82528	6	/P	SCREW-Thread Form. (#6 X 3/8)
7	984910001	1	/P	ACCESS DOOR KIT INCLUDES 7-9
8	82312	1	/P	SCREW-Thread Rolling (#10 X 5/8)
9	82376	1	/P	SCRE W-Thread Form. (#8 X 1/2)
10	96337C	1	/P	SHOULDER STRAP
11	00398	1	/P	WIRE LOOP
12	81124A	1	/P	NUT-Hex (3/8-24)
13	984911001	1	S/P	BLOWER FAN KIT
14	03165	1	S/P	WASHER-Flat
15	03163	1	/P	WASHER-Bellville (3/8)
16	984909001	1		TUBE Kit w/Decals(Vacuum units only)
17	09201	1		DECAL-Idle Adjustment
18	PS01679	1		DECAL-Model ID