

HOMELITE YARD BROOM II - MODEL NUMBER UT08514

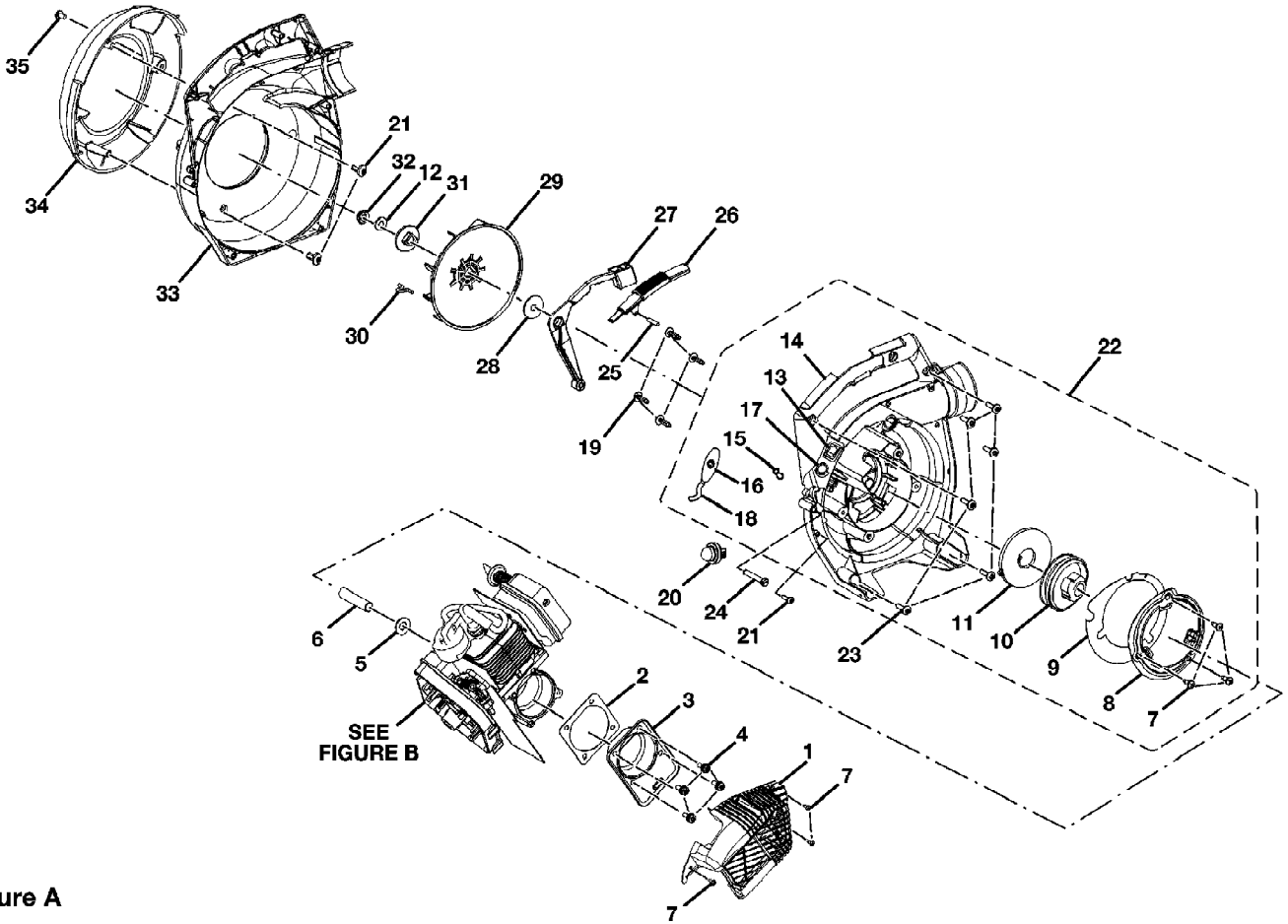


Figure A

Vac Attack II Blower UT-08514
Figure A

Page 2 of 6

Ref #	Part Number	Qty	S/P/F	Description
1	518251001	1		Blower Shroud
2	900954001	1	/P	Crankcase Gasket
3	638031001	1	S	Crankcase Cover
4	660664001	4	S	Screw (10-24 X 9/16 in Pan Hd.) Purchase locally
5	650017001	1	S	Flat Washer
6	650018001	2		Fan Spacer
7	660669001	6	S	Screw (#8 X 1/2 in Pan Hd.) Purchase locally
8	638032002	1	S	Baffle
9	900957001	1	S	Baffle Gasket
10	518098001	1	S	Pully
11	638033001	1	/P	Spring & Container
12	650015001	1		Washer
13	760363002	1	S	Switch
14	518249001	1		Inner Volute Housing
15	650013001	1	/P	Bushing - Starter Rope
16	518073001	1	S	Starter Grip
17	650014001	1	S	Bushing
18	900849004	1	/P	Starter Rope
19	660630002	4	S	Screw (10-24 X 3/4 in Truss Hd.) Purchase locally
20	308088001	1	/P	Primer Bulb
21	660618001	3	S	Screw (10-14 X 1/2 in Torx Truss Hd.) Purchase locally
22	308279003	1		Inner Housing & Starter Assembly Inc Key Nos 7-11, 13-18
23	660629001	6	S	Screw (10-14 X 3/4 in Torx Truss Hd.) Purchase locally
24	660667001	1	S	Screw (10 X 1-5/8 in Hex Hd.) Purchase locally
25	348007001	1		Pin
26	518211001	1		Slide
27	518247001	1		Trigger
28	650016001	1	/P	Flat Washer
29	518077001	1	S	Fan
30	638074001	1	S	Wire Loop
31	640858001	1		Fan Adaptor
32	660730001	1	S	Lock Nut (3/8-24) Purchase locally
33	518250001	1		Outer Volute
34	518078001	1		Door
35	660668001	1	S	Screw (1/4-20 X 3/4) Purchase locally

HOMELITE YARD BROOM II - MODEL NUMBER UT08514

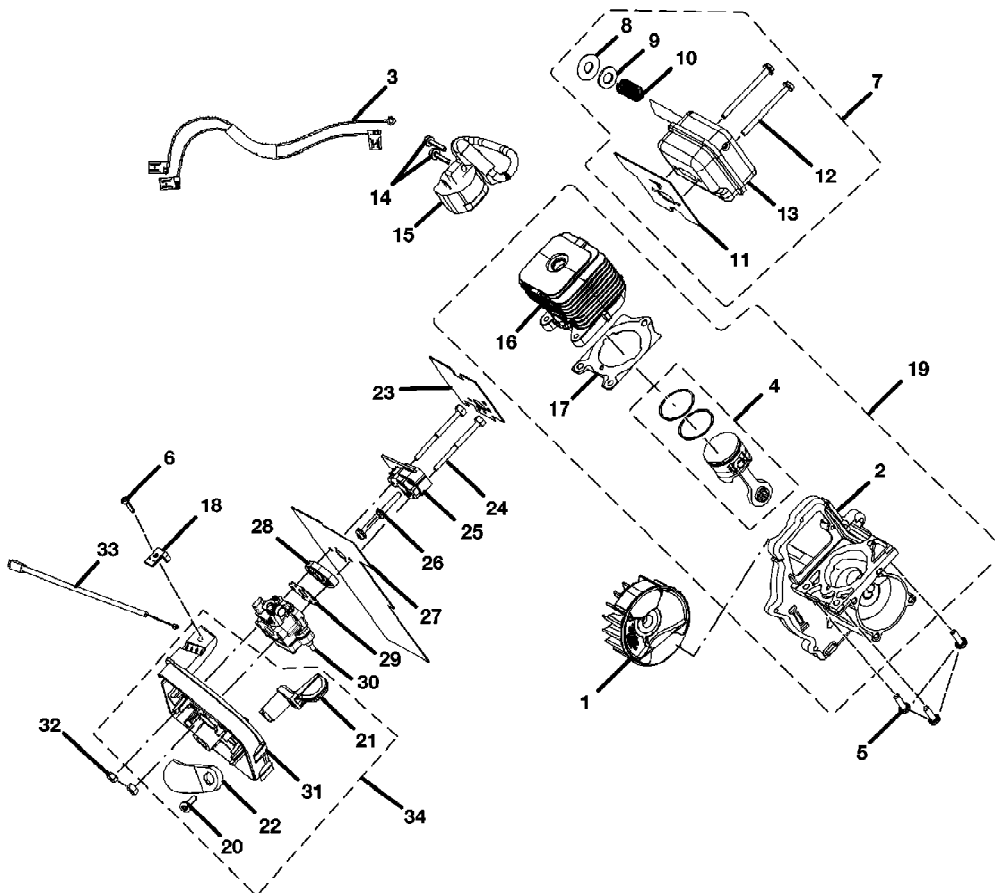
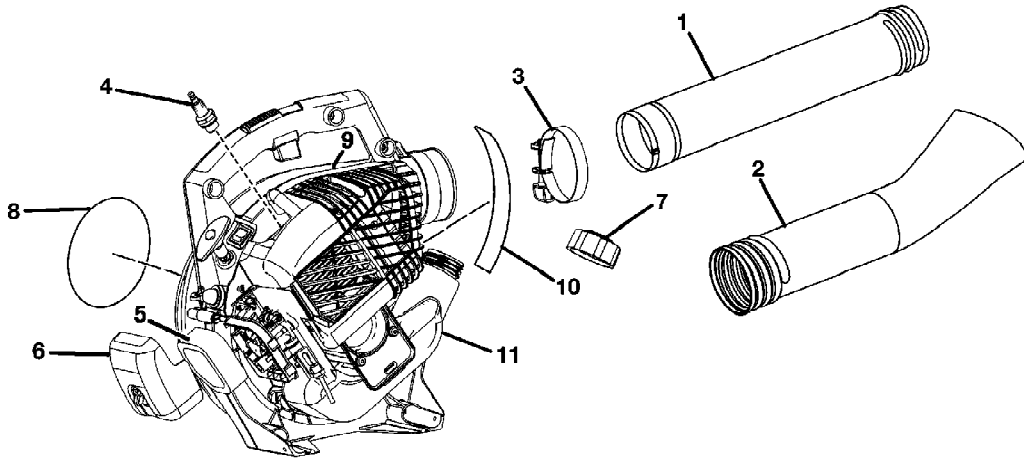


Figure B

Ref #	Part Number	Qty	S/P/F	Description
1	300952002	1		Fly Wheel Assembly
2	308128003	1		Crankcase Assembly
3	290195004	1		Ignition & Switch Harness
4	308023003	1	S	Piston & Rod Assembly
5	660342002	3		Screw (M5 X 20 mm) Purchase locally
6	660734001	1	/P	Screw (M4 X 1.75 X 16 mm) Purchase locally
7	300748010	1	S	Muffler Assembly Inc Key Nos 8-13
8	678046001	1	S	Insulating Washer
9	678045001	1	S	Flat Washer
10	678044001	1	S	Compression Spring
11	900994001	1		Muffler Gasket
12	660673001	2	/P	Screw (10-24 Hex Hd.) Purchase locally
13	300748013	1		Muffler
14	660660001	2	S	Screw (8-32 X1.0 in.) Purchase locally
15	850080001	1	/P	Ignition Module
16	640069002	1	S	Cylinder
17	900953001	1	/P	Cylinder Gasket
18	638133002	1	/P	Throttle Cable Clip
19	308192005	1	S	Short Block Assembly Inc Key Nos 2, 4, 16 and 17
20	660345001	1	S	Screw (M4)
21	590458001	1	S	Choke Lever
22	590946001	1	S	Choke Plate
23	900950001	1	/P	Heat Dam Gasket
24	660346002	2		Carburetor Mounting Bolt
25	518087001	1	S	Heat Dam
26	660662001	2	/P	Screw (10-24 X 1.11 Pan Hd.) Purchase locally
27	900951004	1		Carburetor Gasket
28	518120001	1	S	Spacer
29	900711003	1	S	Gasket
30	308429001	1		Carburetor (Walbro WYC-10)
31	518493001	1		Air Filter Box
32	678027001	1	S	Hex Nut (10-24) Purchase locally
33	270021002	1		Throttle Cable
34	308592001	1		Air Box Base Assembly Inc Key Nos 20-22, 31 and also Inc Key Nos 5, 6 and 12 On Page 2

HOMELITE YARD BROOM II - MODEL NUMBER UT08514

The model number will be found on a plate attached to the engine housing. Always mention the model number in all correspondence regarding your **YARD BROOM II** or when ordering repair parts.



Vac Attack II Blower UT-08514
General Assembly

Page 6 of 6

Ref #	Part Number	Qty	S/P/F	Description
1	580555001	1	S	Upper Blower Tube
2	580556001	1	/P	Wide Sweeper Nozzle
3	348005003	1	/P	Clamp Assembly
4	870174001	1	/P	Spark Plug
5	560873001	1	S	Air Filter
6	308890001	1	/P	Air Box Cover Assembly Inc Key No 5
7	300758006	1	/P	Fuel Cap Assembly
8	940299487	1		Logo Label
9	940642012	1		Starting Label
10	940299493	1	S	Warning Label
11	308141010	1		Fuel Tank & Cap Assembly Inc Key No 7
	983000927	1		Operator's Manual