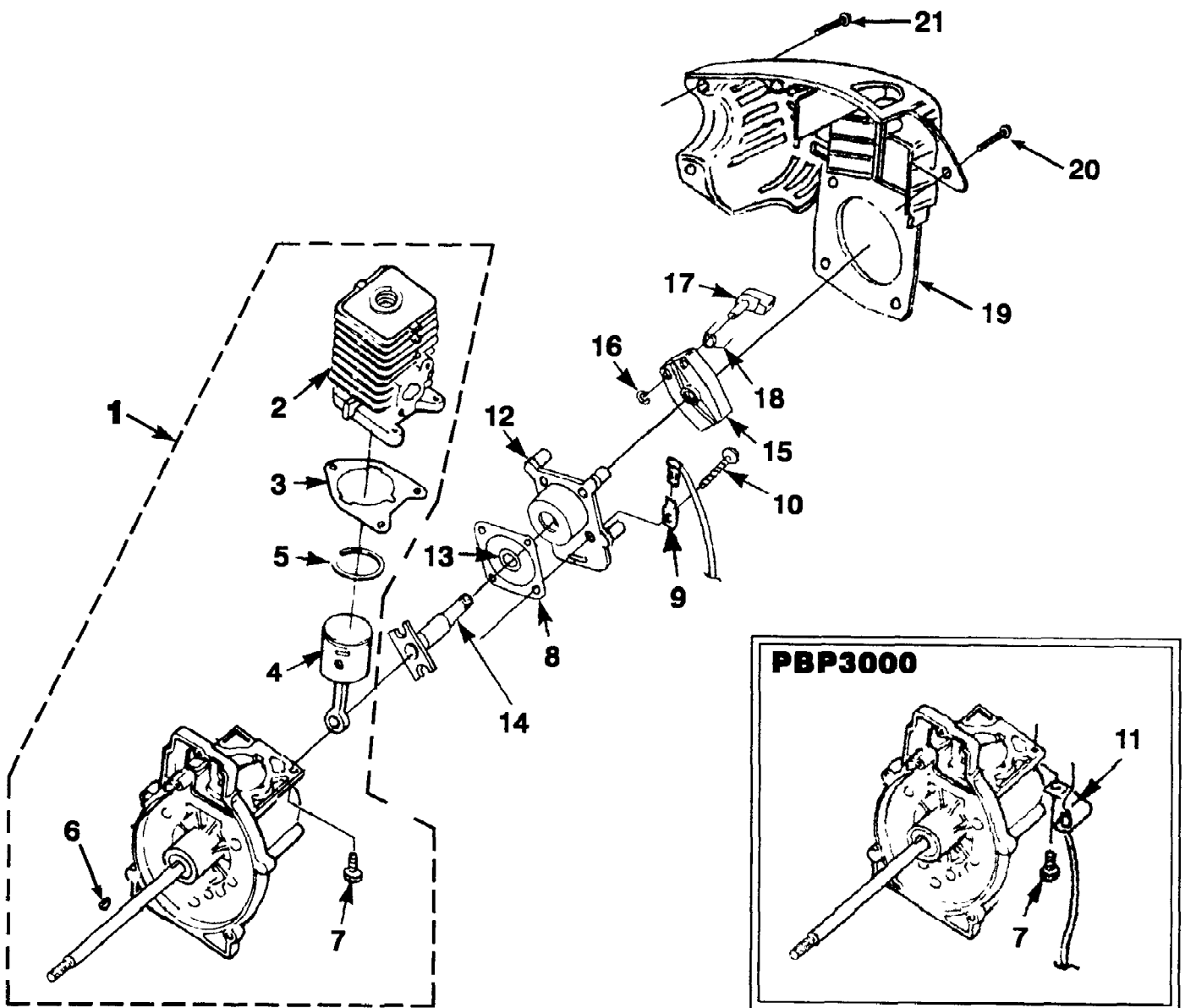


PHB3000 Blower UT-08028-B
Carburetor And Fuel Tank

Page 2 of 14

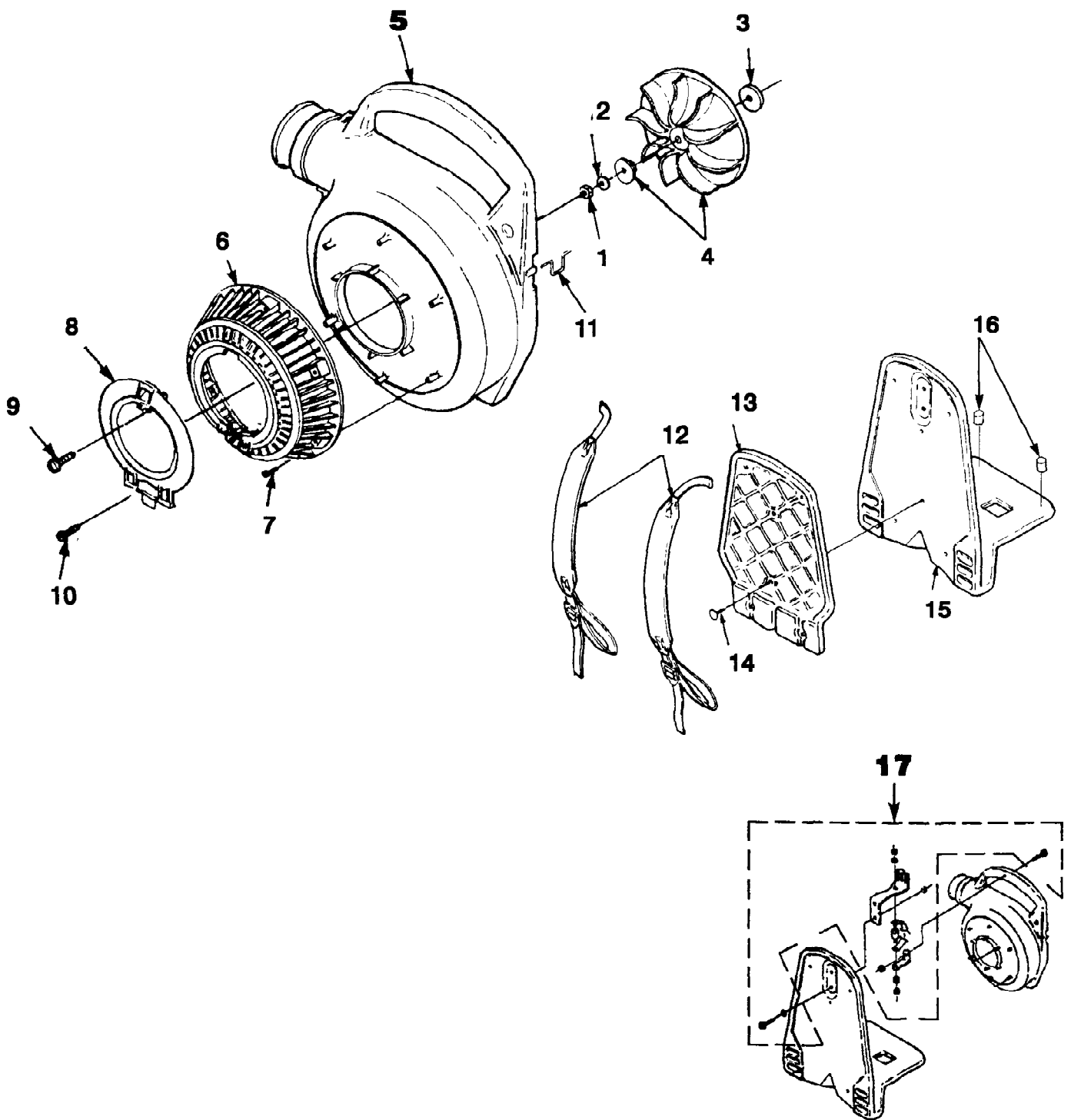
Ref #	Part Number	Qty	S/P/F	Description
1	08840	1	/P	Heat Dam Gasket
2	81208	2	/P	Hex Nut (1/4-20)
3	98768	1	S	Heat Dam
4	880821	2		Screw, Machine (10-24 x 1 1/8") Torque Specs. 40-50 In/Lbs, 4.5-5.6 Nm
B1	A06805A	1	S	Carburetor Kit PHB Models
5A	987661	1	/P	Carburetor Gasket
B2	A07288	1	S	Carburetor Kit PBP Models
5B	98766A	1	S/P	Carburetor Gasket
F	A04447C	1	S	FUEL TANK
6	49422	1	S	FILTER-Fuel
7	0745424	2	S/P	TUBING-Rubber
8	A00982B	1	S	FUEL CAP
9	93426	2	/P	CLAMP
10	02067	2	/P	FITTING - Inlet
11	07469	1		GROMMET W/Fuel Line
12	98792	3	/P	BUMPER-Rubber



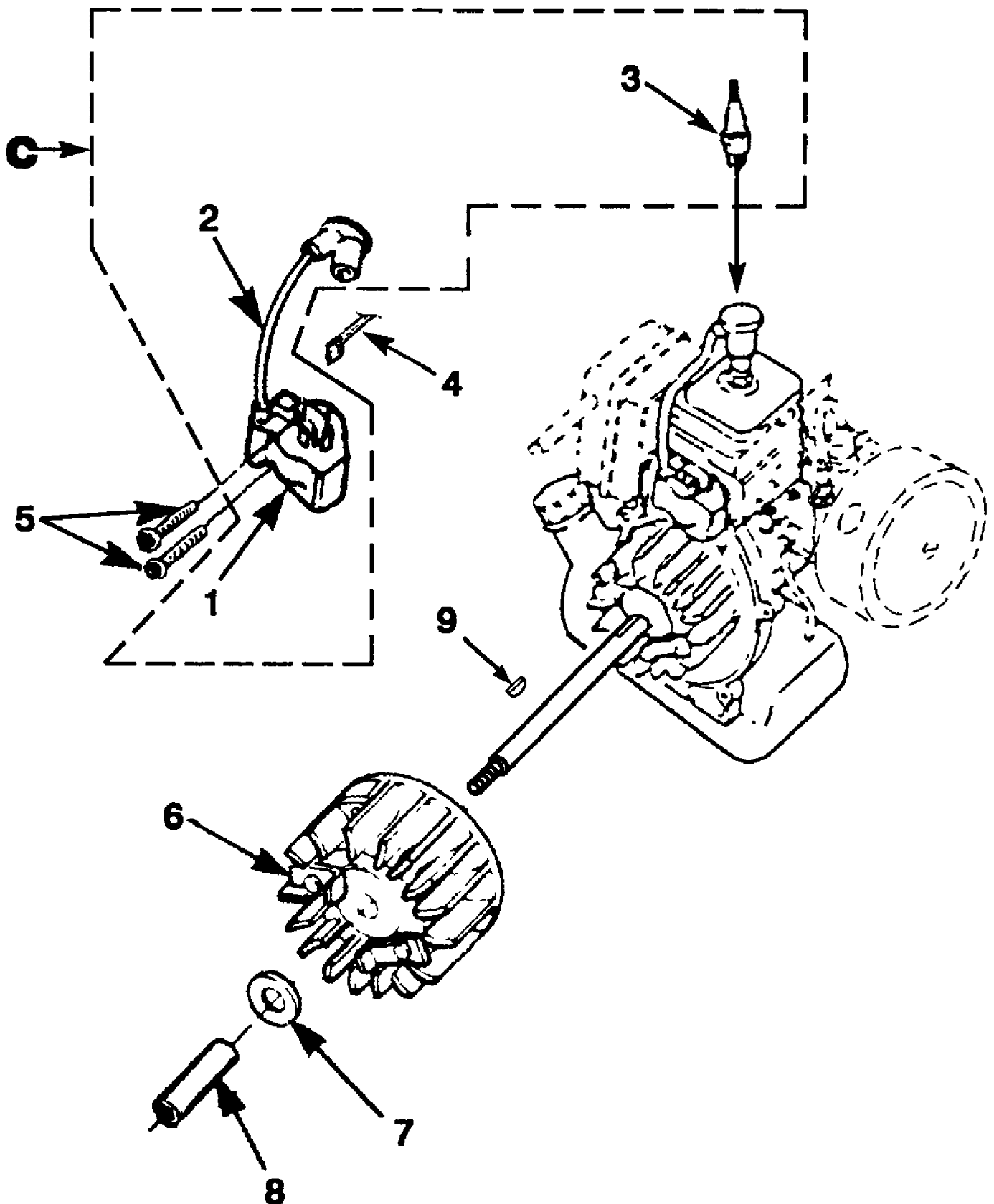
PHB3000 Blower UT-08028-B
Engine Internal

Page 4 of 14

Ref #	Part Number	Qty	S/P/F	Description
1	A06263B	1	S	Short Block Kit
2	A07146B	1	S	Cylinder Kit
3	04388B	1	S/P	Cylinder Gasket
4	A09002	1	S	Piston & Rod
5	03179	2	/P	Piston Ring
6	69250	1	/P	Woodruff Key
7	825801	3	/P	Screw-Machine, 12-24 x 3/4" Torque Specs 65-75 In/Lbs, Nm 7.3-8.5
8	98767A	1	/P	Crankcase Gasket
9	02851	1	/P	Male Tab
10	825551	4	S	Screw-Thread Form. #10-24 x 3/4" Torque Specs 40-50 In/Lbs, Nm 4.5-5.6
11	A01767	1	/P	Cable Bracket PBP's Only
12	A040172	1	S	Crankcase Cover
13	04589	1	/P	Spacer
14	04016B	1	/P	Starter Shaft
15	A04018	1	S	Starter Cup
16	0401804	1	S	Retaining Ring
17	0401802	1	S	Starter Pawl
18	0401803	1	S	Starter Spring
19	04439	1	/P	Cowling
20	82563	3	/P	Screw 8 X .500 Pan Hd. Plastite Torque Specs 20-30 In/Lbs, Nm 2.3-3.4
21	82541	1	/P	Screw #10 X .500 Plastite Torque Specs 30-40 In/Lbs, Nm 3.4-4.5



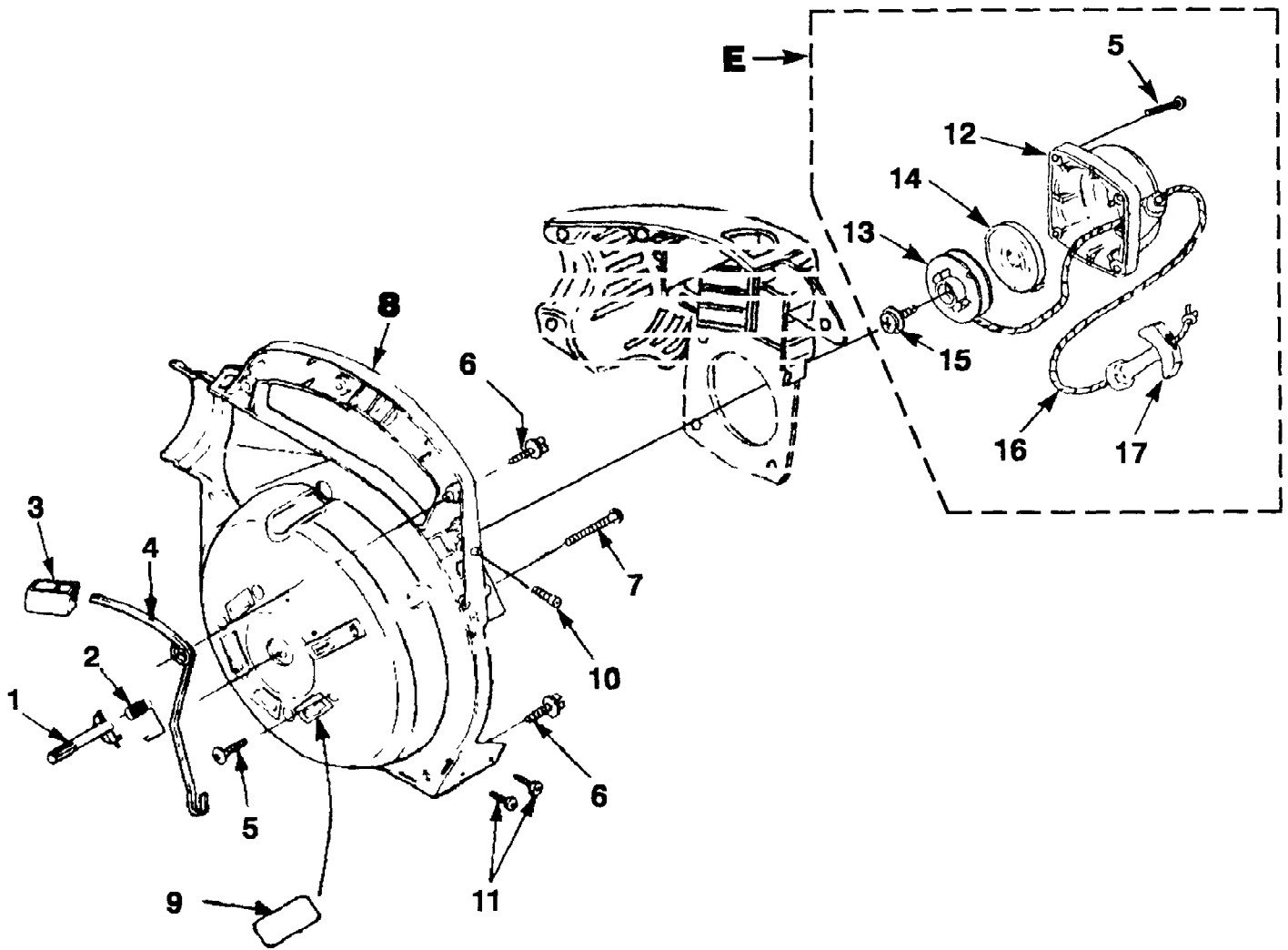
Ref #	Part Number	Qty	S/P/F	Description
1	81124A	1	/P	Hex Nut (3/8-24) Torque Specs. 130-150 In/Lbs, 14.7-16.9 Nm
2	03163	1	/P	Bellville Washer (3/8")
3	03165	2	S/P	Flat Washer
4	A00503A	1	S	Blower Fan Kit
5	A04852A	1	S	Volute Housing Kit,Outer
6	A04853	1	S	Blower Vac Grille Kit
7	82536	6	/P	Screw-Thread Form. (10-24 x 3/4") Torque Specs. 8-12 In/Lbs, 9-1.4 Nm
8	A04854	1	S	Access Cover
9	82312	1	/P	Screw-Thread Rolling (#10 x 5/8") Torque Specs. 10-20 In/Lbs, 1.1-2.3 Nm
10	82376	4	/P	Screw-Thread Form. (#8 x 1/2") Torque Specs. 8-20 In/Lbs, 9-1.4 Nm
11	00398	1	/P	Wire Loop
12	01776	2	/P	Shoulder Harness
13	02023	1	S	Foam Pad
14	01783	6	/P	Push Clip
15	01763	1	S	Blower Frame
16	01770A	1	/P	Vibration Isolator One Included In #26 Kit
17	A04855	1	S	Vibration Isolator Kit



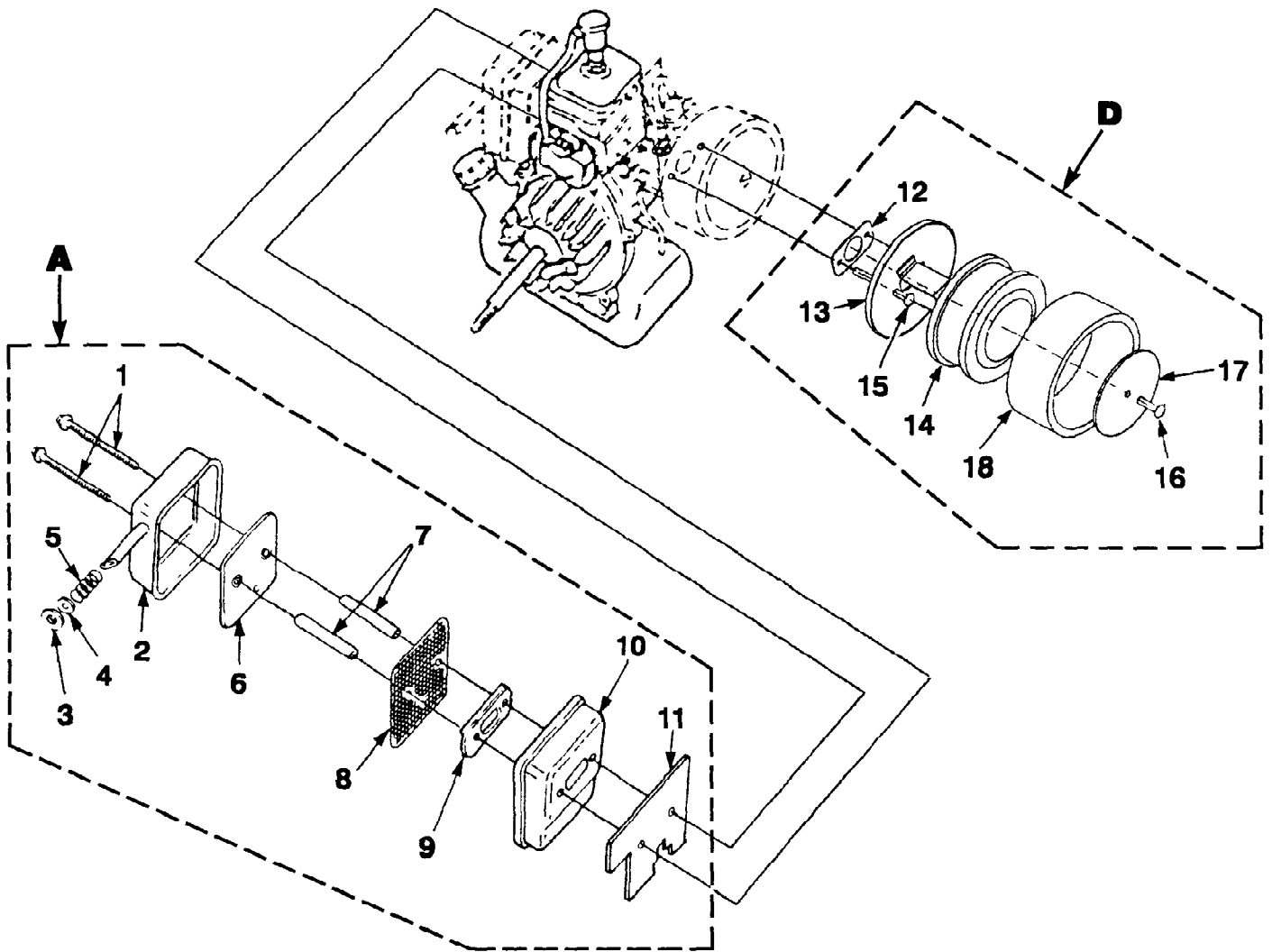
PHB3000 Blower UT-08028-B
Ignition With Rotor

Page 8 of 14

Ref #	Part Number	Qty	S/P/F	Description
C	A04446	1	S	Ignition Kit
1	94711CS	1	/P	Ignition Module
2	A33055	1	/P	Terminal
3	96169S	1	S	Spark Plug DJ-7Y Torque Specs 120-180 In/Lbs, Nm 13.6-20.3
1	94711CS	1	/P	Ignition Module UT08046 & UT08047 A,B,C
2	A33055	1	/P	Terminal
3	79252	1	S	Spark Plug Int'l, RDJ-7Y
4	A03924	1	S	Electrical Lead
5	82540	2	/P	Screw-Thread Forming 8-32 x 1" Torque Specs 30-40 In/Lbs 30-40 In/Lbs, Nm 3.4-4.5; 242 Blue Required Locktite
6	A04158S	1	S	Rotor
7	95479A	1	/P	Washer-Flat
8	03566	1	S	Fan Spacer
9	69250	1	/P	Woodruff Key



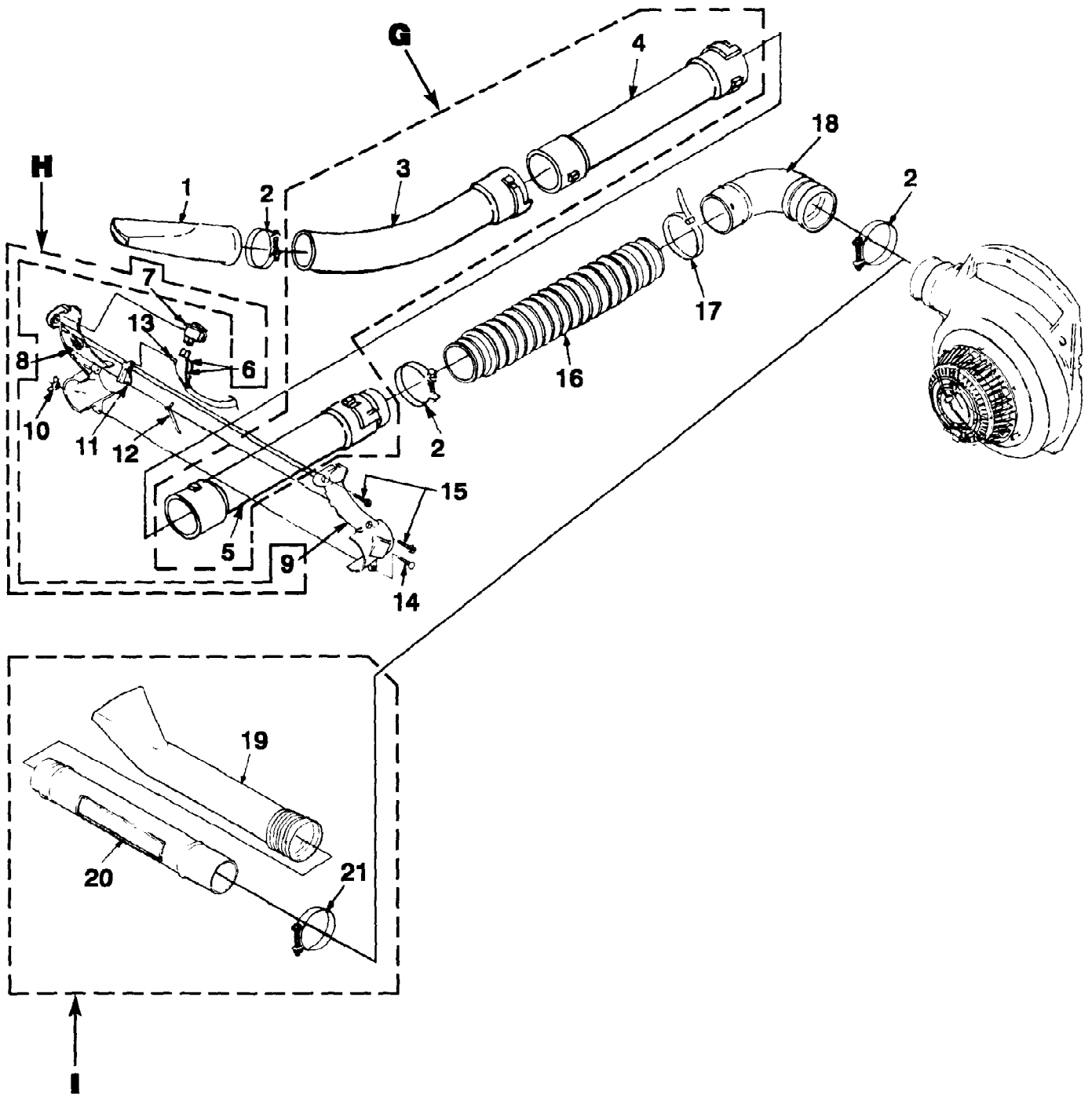
Ref #	Part Number	Qty	S/P/F	Description
1	00368A	1	/P	Throttle Latch
2	00370	1	S/P	Throttle Latch Spring
3	00367	1	/P	Throttle Trigger
4	00369A	1	/P	Throttle Lever
5	82538	5	/P	Screw-Thread Form. (10-24 x 3/4") Torque Specs. 55-60 In/Lbs, 6.2-6.8 Nm
6	82563	6	/P	Screw-Thread Form. (#10 x 3/4") Torque Specs. 20-30 In/Lbs, 2.3-3.4 Nm
7	JA416903	1	/P	Screw-Thread Form. (#10 x 1 5/8") Torque Specs. 20-30 In/Lbs, 2.3-3.4 Nm
8	A01630A	1	/P	Volute Housing, Inner
9	A00813B	1	S	Sealing Kit
10	82146	1	S	Screw-Fillister Hd. (#8-32 x 5/8")
11	82348A	4	/P	Screw-Tap, Pan Hd. (#8 x 1/2") Torque Specs. 15-18 In/Lbs, 1.7-2.0 Nm
E	A04069	1		Starter Assembly
12	0406901	1		Starter Housing
13	0406906	1	S	Recoil Spring
14	0406905	1	S	Starter Pulley
15	0406904	1	/P	Set Screw
16	0406903	1	/P	Starter Rope
17	0406902	1	/P	Starter Grip



PHB3000 Blower UT-08028-B
Muffler And Air Cleaner

Page 12 of 14

Ref #	Part Number	Qty	S/P/F	Description
A	A04714	1	S	Complete Muffler
1	88060	2	S/P	Screw-Sems Hex Hd. (10-24 x 2 1/2") Torque Specs. 40-50 In/Lbs, 4.5-5.6 Nm
2	A00366	1	/P	Muffler Cover
3	00381	1	/P	Washer-Insulating
4	84117	1	/P	Washer-Flat
5	00387	1	/P	Compression Spring
6	00777	1	/P	Deflector
7	04785	2	/P	Spacer
8	00388B	1	/P	Spark Arrestor Screen
9	98783	1	/P	Reinforcing Plate
10	04710	1	/P	Muffler Body
11	00394A	1	S	Muffler Gasket
D	A04610B	1	/P	Air Filter Kit
12	04325	1		Carburetor Gasket
13	03890	1		Plate-Filter
14	03847	1		Air Filter
15	88057	2	S	Screw-Sems Hex Hd. (10-24 x 2") Torque Specs. 30-40 In/Lbs, 3.4-4.5 Nm
16	825551	1	S	Screw-Machine (10-24 x 3/4") Torque Specs. 55-65 In/Lbs, 6.2-7.3 Nm
17	041451	1	S	Filter Washer
18	04307B	1	S	Pre-Filter



PHB3000 Blower UT-08028-B
Tube Kit & Handle

Page 14 of 14

Ref #	Part Number	Qty	S/P/F	Description
1	96329B	1	S	Sweeper Nozzle
2	00433B	3	S/P	Clamp
G	A03036A	1	S	Blower Tube Kit
3	02899	1		Elbow
4	028982	1	S	Straight Tube
5	028981	1	S	Upper Tube
H	A00219	1	S	Handle & Switch Kit
6	A03924	1	S	Electrical Lead w/Terminal
7	02497	1	S/P	Switch
8	03922	1	/P	Control Handle (Right)
9	03923	1	S/P	Control Handle (Left)
10	81281	1	/P	Wing Nut (10-24)
11	94452B	1	S/P	Trigger
12	95906A	1	/P	Trigger Latch
13	01775	1	S	Throttle Cable
14	82375	1	/P	Bolt-Rib Neck (Round Hd.) (10-24 x 7/8")
15	82563	2	/P	Screw-Thread Form. (10-24 x 3/4") Torque Specs. 20-30 In.Lbs, 2.3-3.4 Nm
16	01772	1	/P	Bellows-Plastic
17	JA375487	1	S	Cable Tie
18	01771A	1	S/P	Elbow-Curved
I	A04986	1		Blower Tube Kit (PHB's)
19	00373A	1	S/P	Sweeper Nozzle
20	A00309	1	S	Tube w/Decals
21	00433B	1	S/P	Clamp w/Fasteners