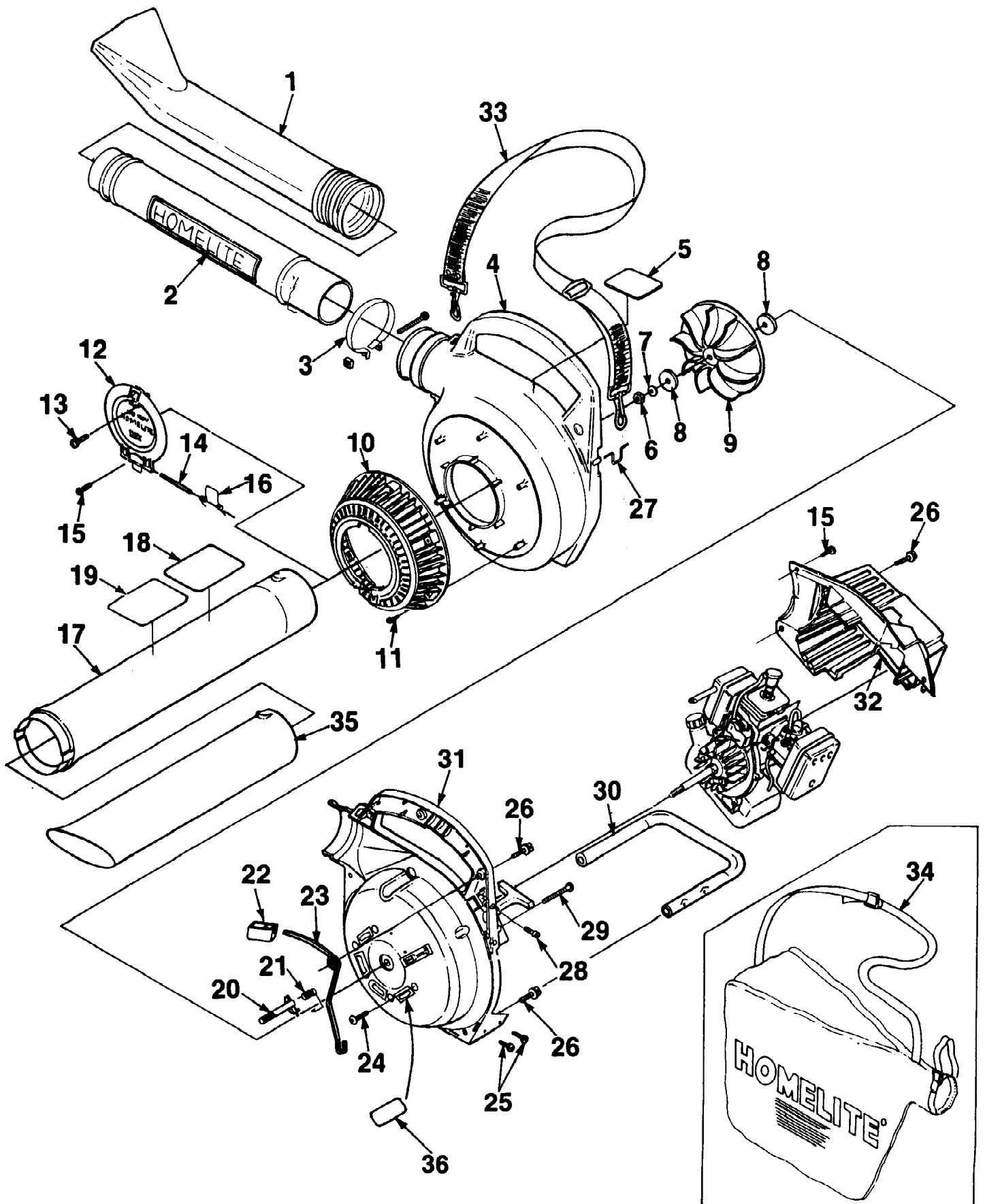


HB180V Blower UT-08010
Blower

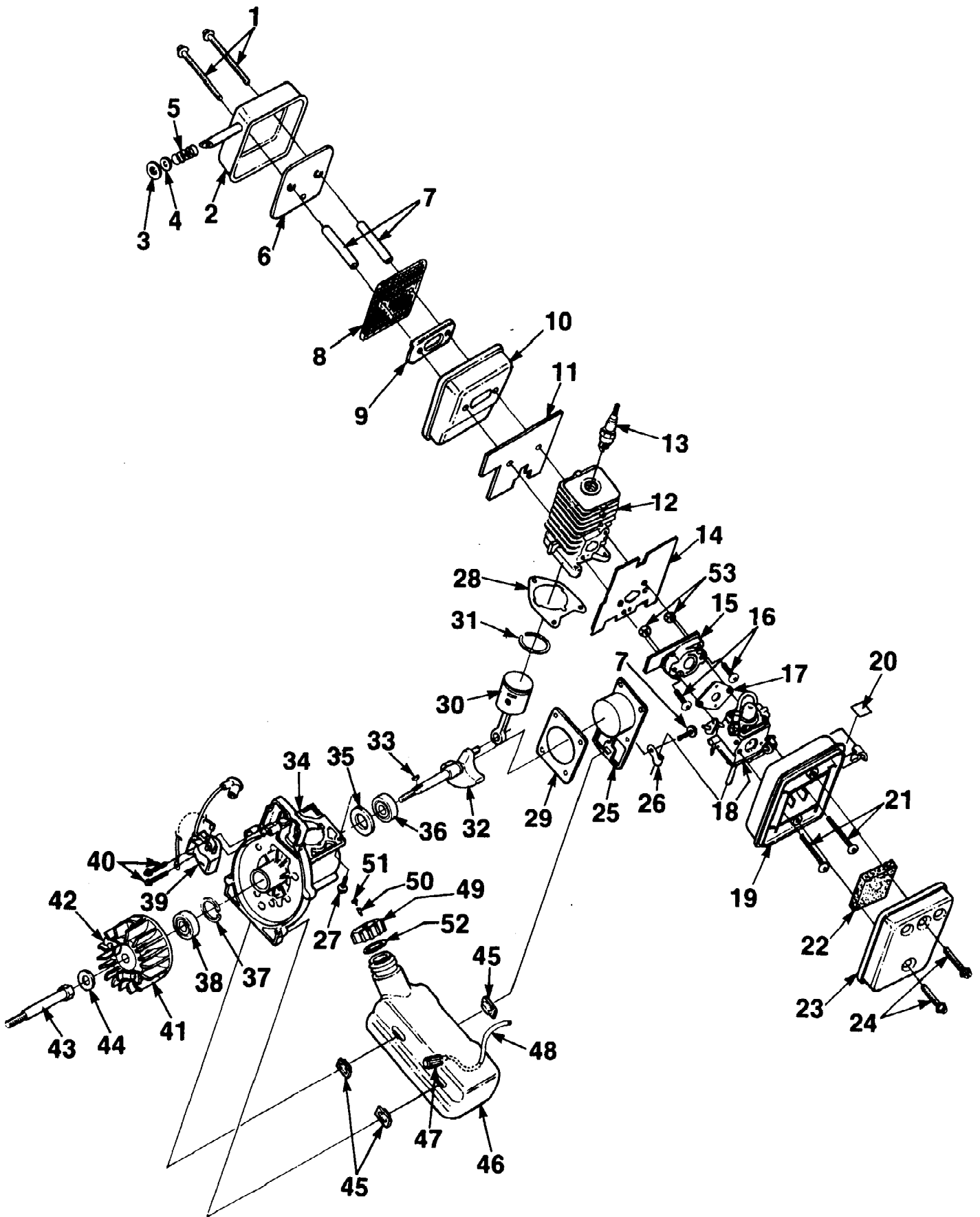
Page 1 of 7



HB180V Blower UT-08010
Blower

Page 2 of 7

Ref #	Part Number	Qty	S/P/F	Description
1	00373	1		NOZZLE - Sweeper
2	A00399A	1	S	TUBE w/DECAL
3	00433	1		CLAMP
4	00316	1		HOUSING - Volute (outer)
5	00375	1		DECAL - Warning
6	81117	1	/P	NUT - Hex 5/16-24
7	70788	1	S	WASHER - Belleville #10
8	00380	2		WASHER - Fan
9	00318	1		FAN - Blower
10	00320	1		GRILLE - Blower Vac
11	82528	6	/P	SCREW - Thd forming (#6-19 x 3/4)
12	00319	1	S	COVER - Access
13	82312	1	/P	SCREW - Thd Rolling #10 x 5/8
14	00384	1	S	PIN - Cover hinge
15	82376	1	/P	SCREW - Thd forming #8 x 1/2
16	00371	1	S	SPRING - Access Cover
17	A00386	1		TUBE w/DECAL (Inner) 180V Only (INCLUDES #18 & 19)
18	00376	1		DECAL (180V Only)
19	00819	1		DECAL - Warning 180V Only
20	00368	1		LATCH - Throttle
21	00370	1	S/P	SPRING - Throttle latch
22	00367	1	/P	TRIGGER - Throttle
23	00369	1		LEVER - Throttle
24	82508	1		SCREW - Thd Forming
25	82348	4		SCREW - Tapping pan #8 x 1/2
26	70771	1	S	SCREW - Thd forming #10 x 3/4
27	00398	1	/P	LOOP - Wire
28	82146	1	S	SCREW - Fil. hd. #8-32 x 5/8
29	JA416903	1	/P	SCREW - Hex hd. #10 x 1 5/8
30	00393	1	/P	HANDLE - Lower (180V Only)
31	00315	1		HOUSING - Volute (inner)
32	00321	1	S	SHROUD
33	DA98138A	1		STRAP - Shoulder
34	A00392	1		BAG - Leaf (180V Only)
35	003631	1		TUBE - (outer) 180V Only
36	A00813	1		KIT - Sealing



HB180V Blower UT-08010
Engine

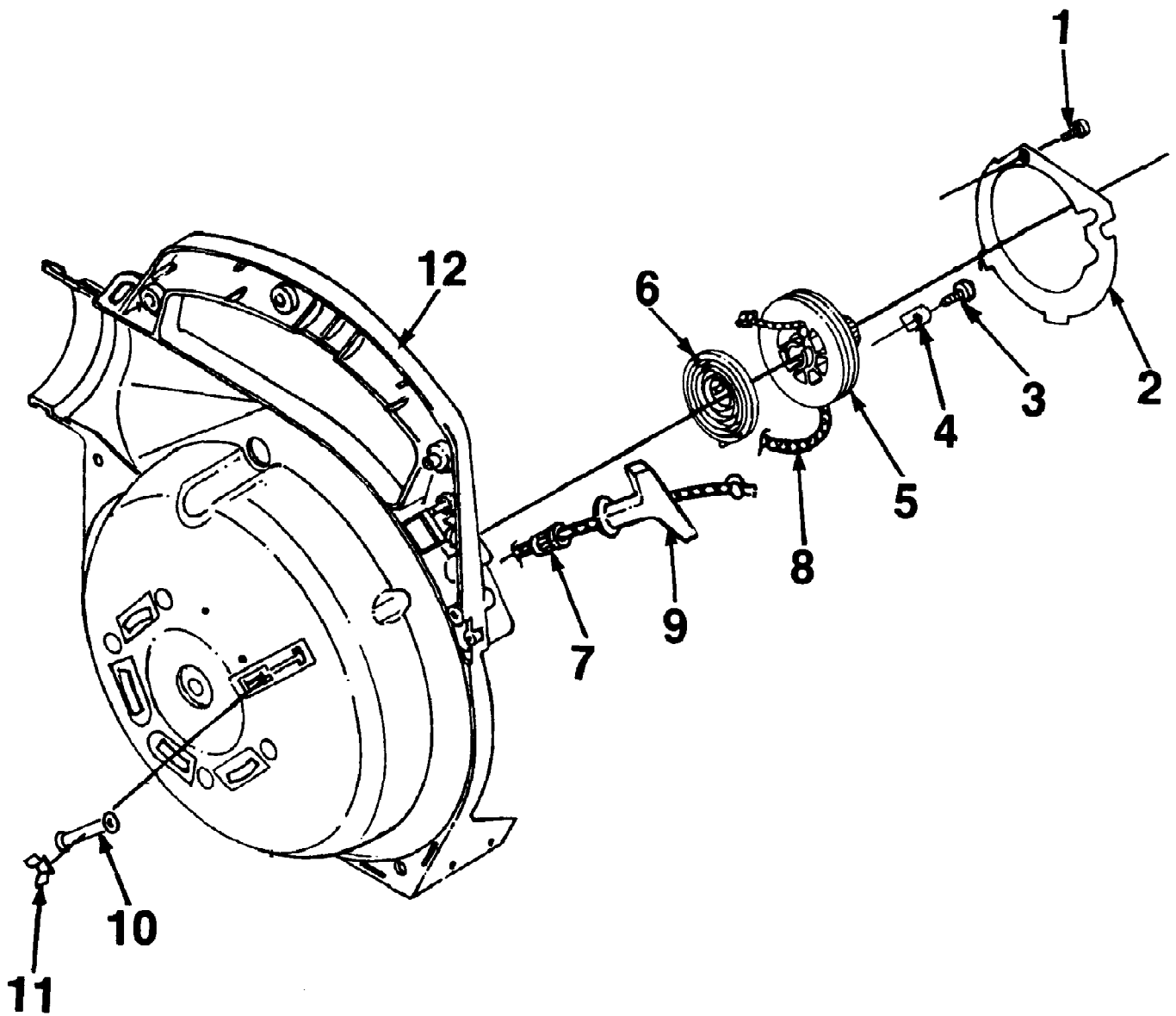
Page 4 of 7

Ref #	Part Number	Qty	S/P/F	Description
1	88060	2	S/P	SCREW - Sems Hex Hd. (10-24 x 2 1/2)
2	A00366	1	/P	COVER - Muffler
3	00381	1	/P	WASHER - Insulating
4	84117	1	/P	WASHER - Flat
5	00387	1	/P	SPRING - Compression
6	00777	1	/P	DEFLECTOR - Muffler
7	98860	2		SPACER - Muffler
8	00388A	1		SCREEN - Spark arrestor
9	98783	1	/P	PLATE - Reinforcing
10	98781	1	S/P	BODY - Muffler
11	00394	1		GASKET - Muffler
12	A00108	1		CYLINDER
13	96169S	1	S	SPARK PLUG
14	00775	1		GASKET - Heat dam
15	98768	1	S	HEAT DAM
16	82510	2	S	SCREW (T-25 Torx)
17	98766	1		GASKET - Carburetor
18	A00378	1		CARBURETOR (WT-80) Walbro
	A00382	1		CARBURETOR (CIU-H11) Zama
19	A00110	1	S	BOX - Air filter
20	98942	1		DECAL - Choke/Run
21	82507	2	/P	SCREW - Thread Forming
22	98760	1	/P	AIR FILTER
23	98761	1		COVER - Air filter
24	82368	2	S	SCREW - Thread forming 8-16 x 3/4
25	98754A	1	S	COVER - Crankcase
26	98752	1		CLAMP
27	82508	8		SCREW - Thd forming #10-24 x 3/4
28	98764	1		GASKET - Cylinder
29	98767	1		GASKET - Crankcase
30	A00256	1		PISTON & ROD ASSEMBLY (UT08007 & UT08008) (Includes #31)
	A00239	1		PISTON & ROD ASSEMBLY (UT08009 & UT08010) (Includes #31)
31	96935	1	S	RING - Piston
32	987584	1		CRANKSHAFT (UT08007 & UT08008)
	987583	1		CRANKSHAFT (UT08009 & UT08010)
33	69250	1	/P	KEY - Woodruff
34	A00107	1		CRANKCASE ASSEMBLY (Includes #35 - 38)
35	98800	1	/P	SEAL - Shaft
36	98797	1	/P	BEARING - Ball
37	98799	1	/P	RING - Retaining
38	98798	1	S	BEARING - Ball
39	94711A	1	S	MODULE - Ignition
40	82509	2	S	SCREW - Thd forming 8-32 x 1
41	A95007	1	S	ROTOR & STARTER PAWL (Includes #42)
42	A70285D	1	S	STARTER PAWL KIT
43	00377	1		ADAPTER - Fan
44	84065	1	S	WASHER - Flat 5/16
45	98792	3	/P	BUMPER - Rubber
46	A00098A	1		TANK - Fuel (Includes #47 & 48)

HB180V Blower UT-08010
Engine

Page 5 of 7

Ref #	Part Number	Qty	S/P/F	Description
47	49422	1	S	FILTER - Fuel
48	9477224	1	S	TUBING - Rubber
49	A00099	1		FUEL CAP ASSEMBLY (Includes #50 - 52)
50	98819	1	/P	VALVE - Duck Bill
51	98913	1	S	FILTER
52	98805	1	S	GASKET - Fuel cap
53	81208	2	/P	NUT



HB180V Blower UT-08010
Starter

Page 7 of 7

Ref #	Part Number	Qty	S/P/F	Description
1	82528	1	/P	SCREW - Thread Forming (#6-19 x 3/4 lg.)
2	00374	1	/P	PLATE - Rotor
3	82511	1		SCREW - Thd forming 10 x 1/2
4	98791	1	/P	BRACKET - Retaining
5	98770	1		PULLEY - Starter
6	A98773	1		SPRING & CONTAINER
7	A97796	1	S	BUSHING - Starter
8	97899	1	S	ROPE - Starter 46"
9	70211	1	S	GRIP - Starter rope
10	00364	1		BUSHING - Starter rope
11	00379	1		CLIP - Retainer
12	00315	1		HOUSING - Volute (inner)