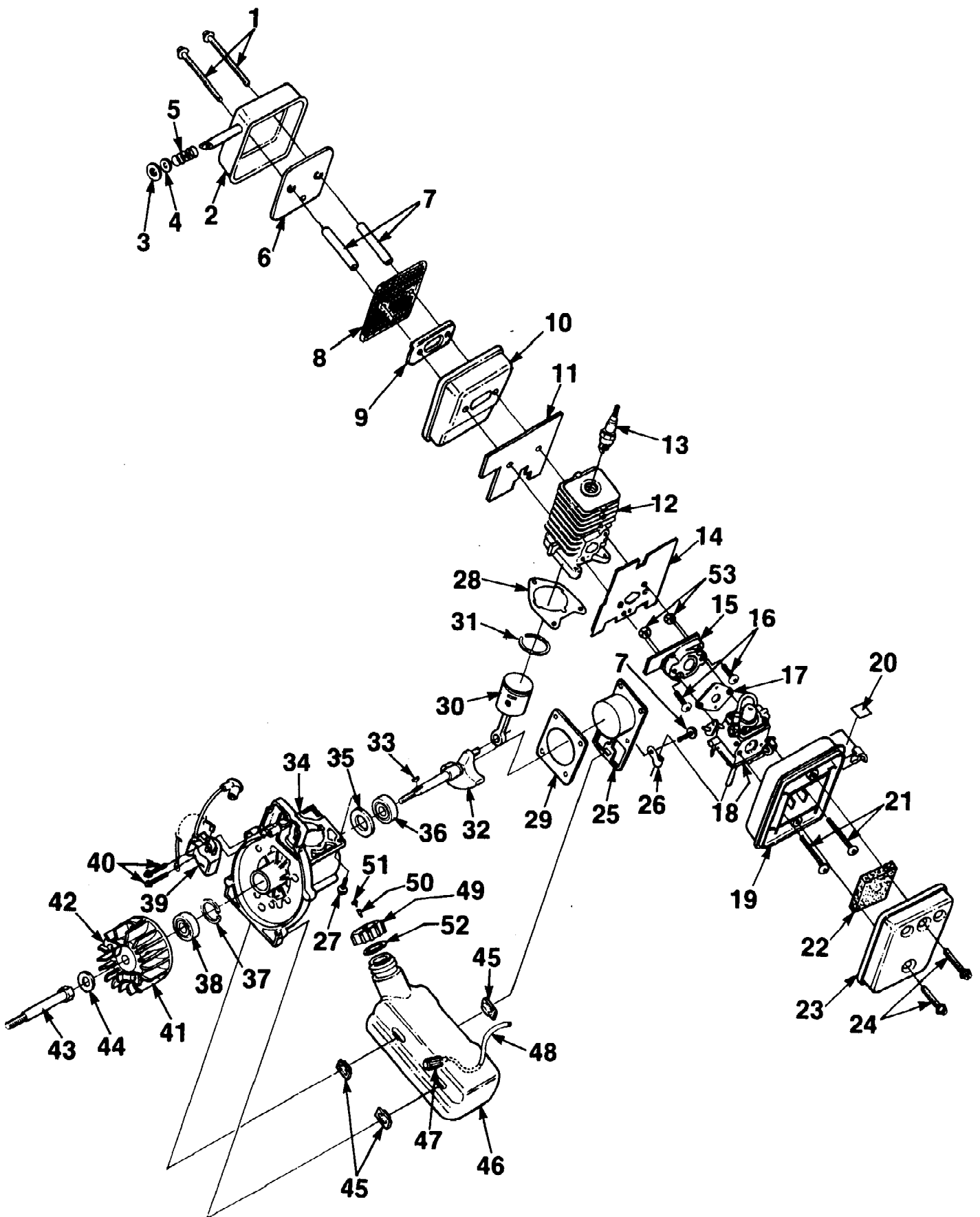


HB180 Blower UT-08009
Blower

Page 2 of 7

| Ref # | Part Number | Qty | S/P/F | Description |
|-------|-------------|-----|-------|---|
| 1 | 00373 | 1 | | NOZZLE - Sweeper |
| 2 | A00399A | 1 | S | TUBE w/DECAL |
| 3 | 00433 | 1 | | CLAMP |
| 4 | 00316 | 1 | | HOUSING - Volute (outer) |
| 5 | 00375 | 1 | | DECAL - Warning |
| 6 | 81117 | 1 | /P | NUT - Hex 5/16-24 |
| 7 | 70788 | 1 | S | WASHER - Belleville #10 |
| 8 | 00380 | 2 | | WASHER - Fan |
| 9 | 00318 | 1 | | FAN - Blower |
| 10 | 00320 | 1 | | GRILLE - Blower Vac |
| 11 | 82528 | 6 | /P | SCREW - Thd forming (#6-19 x 3/4) |
| 12 | 00319 | 1 | S | COVER - Access |
| 13 | 82312 | 1 | /P | SCREW - Thd Rolling #10 x 5/8 |
| 14 | 00384 | 1 | S | PIN - Cover hinge |
| 15 | 82376 | 1 | /P | SCREW - Thd forming #8 x 1/2 |
| 16 | 00371 | 1 | S | SPRING - Access Cover |
| 17 | A00386 | 1 | | TUBE w/DECAL (Inner) 180V Only (INCLUDES #18 & 19) |
| 18 | 00376 | 1 | | DECAL (180V Only) |
| 19 | 00819 | 1 | | DECAL - Warning 180V Only |
| 20 | 00368 | 1 | | LATCH - Throttle |
| 21 | 00370 | 1 | S/P | SPRING - Throttle latch |
| 22 | 00367 | 1 | /P | TRIGGER - Throttle |
| 23 | 00369 | 1 | | LEVER - Throttle |
| 24 | 82508 | 1 | | SCREW - Thd Forming |
| 25 | 82348 | 4 | | SCREW - Tapping pan #8 x 1/2 |
| 26 | 70771 | 1 | S | SCREW - Thd forming #10 x 3/4 |
| 27 | 00398 | 1 | /P | LOOP - Wire |
| 28 | 82146 | 1 | S | SCREW - Fil. hd. #8-32 x 5/8 |
| 29 | JA416903 | 1 | /P | SCREW - Hex hd. #10 x 1 5/8 |
| 30 | 00393 | 1 | /P | HANDLE - Lower (180V Only) |
| 31 | 00315 | 1 | | HOUSING - Volute (inner) |
| 32 | 00321 | 1 | S | SHROUD |
| 33 | DA98138A | 1 | | STRAP - Shoulder |
| 34 | A00392 | 1 | | BAG - Leaf (180V Only) |
| 35 | 003631 | 1 | | TUBE - (outer) 180V Only |
| 36 | A00813 | 1 | | KIT - Sealing |



HB180 Blower UT-08009
Engine

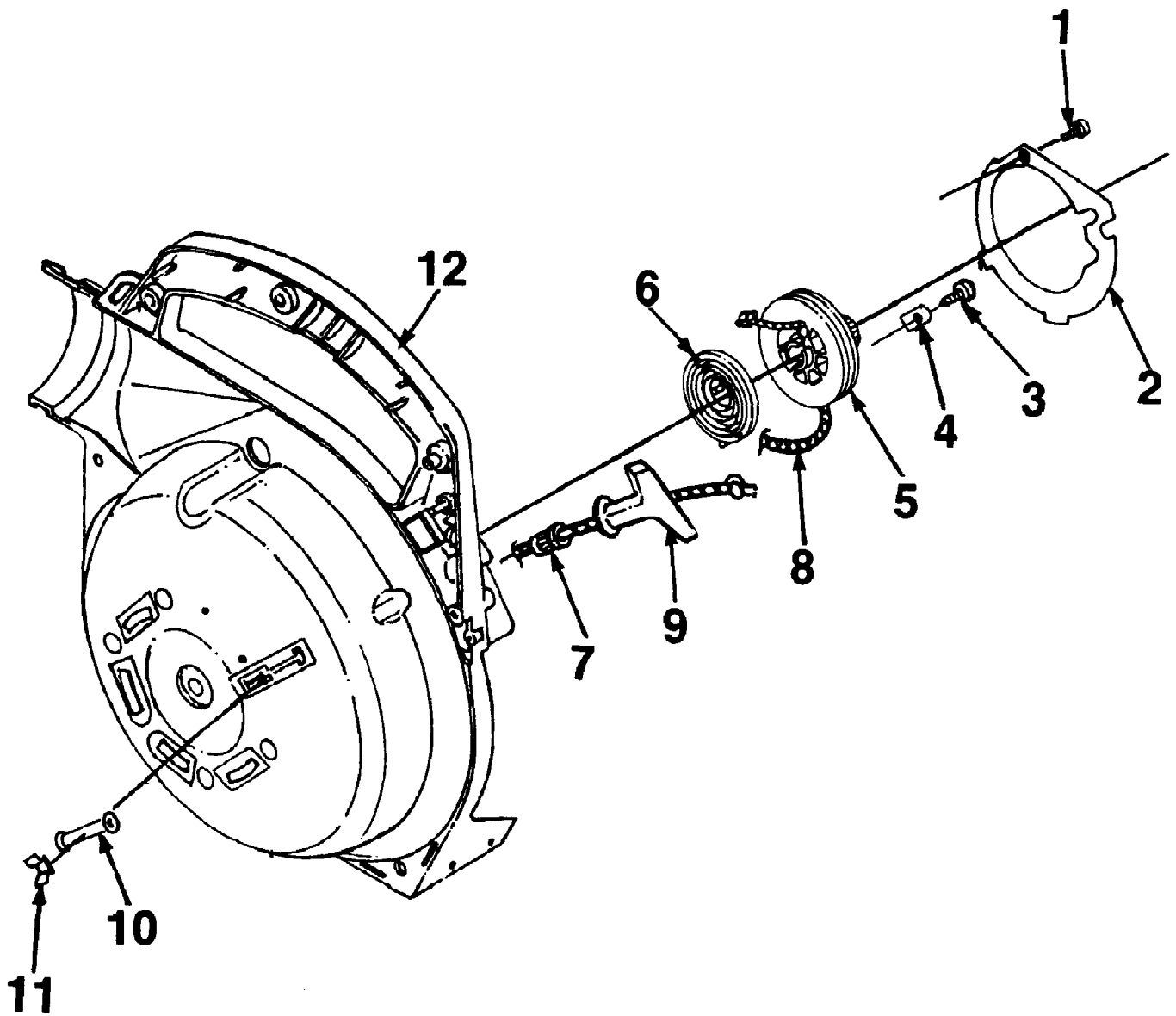
Page 4 of 7

| Ref # | Part Number | Qty | S/P/F | Description |
|-------|-------------|-----|-------|--|
| 1 | 88060 | 2 | S/P | SCREW - Sems Hex Hd. (10-24 x 2 1/2) |
| 2 | A00366 | 1 | /P | COVER - Muffler |
| 3 | 00381 | 1 | /P | WASHER - Insulating |
| 4 | 84117 | 1 | /P | WASHER - Flat |
| 5 | 00387 | 1 | /P | SPRING - Compression |
| 6 | 00777 | 1 | /P | DEFLECTOR - Muffler |
| 7 | 98860 | 2 | | SPACER - Muffler |
| 8 | 00388A | 1 | | SCREEN - Spark arrestor |
| 9 | 98783 | 1 | /P | PLATE - Reinforcing |
| 10 | 98781 | 1 | S/P | BODY - Muffler |
| 11 | 00394 | 1 | | GASKET - Muffler |
| 12 | A00108 | 1 | | CYLINDER |
| 13 | 96169S | 1 | S | SPARK PLUG |
| 14 | 00775 | 1 | | GASKET - Heat dam |
| 15 | 98768 | 1 | S | HEAT DAM |
| 16 | 82510 | 2 | S | SCREW (T-25 Torx) |
| 17 | 98766 | 1 | | GASKET - Carburetor |
| 18 | A00378 | 1 | | CARBURETOR (WT-80) Walbro |
| | A00382 | 1 | | CARBURETOR (CIU-H11) Zama |
| 19 | A00110 | 1 | S | BOX - Air filter |
| 20 | 98942 | 1 | | DECAL - Choke/Run |
| 21 | 82507 | 2 | /P | SCREW - Thread Forming |
| 22 | 98760 | 1 | /P | AIR FILTER |
| 23 | 98761 | 1 | | COVER - Air filter |
| 24 | 82368 | 2 | S | SCREW - Thread forming 8-16 x 3/4 |
| 25 | 98754A | 1 | S | COVER - Crankcase |
| 26 | 98752 | 1 | | CLAMP |
| 27 | 82508 | 8 | | SCREW - Thd forming #10-24 x 3/4 |
| 28 | 98764 | 1 | | GASKET - Cylinder |
| 29 | 98767 | 1 | | GASKET - Crankcase |
| 30 | A00256 | 1 | | PISTON & ROD ASSEMBLY (UT08007 & UT08008) (Includes #31) |
| | A00239 | 1 | | PISTON & ROD ASSEMBLY (UT08009 & UT08010) (Includes #31) |
| 31 | 96935 | 1 | S | RING - Piston |
| 32 | 987584 | 1 | | CRANKSHAFT (UT08007 & UT08008) |
| | 987583 | 1 | | CRANKSHAFT (UT08009 & UT08010) |
| 33 | 69250 | 1 | /P | KEY - Woodruff |
| 34 | A00107 | 1 | | CRANKCASE ASSEMBLY (Includes #35 - 38) |
| 35 | 98800 | 1 | /P | SEAL - Shaft |
| 36 | 98797 | 1 | /P | BEARING - Ball |
| 37 | 98799 | 1 | /P | RING - Retaining |
| 38 | 98798 | 1 | S | BEARING - Ball |
| 39 | 94711A | 1 | S | MODULE - Ignition |
| 40 | 82509 | 2 | S | SCREW - Thd forming 8-32 x 1 |
| 41 | A95007 | 1 | S | ROTOR & STARTER PAWL (Includes #42) |
| 42 | A70285D | 1 | S | STARTER PAWL KIT |
| 43 | 00377 | 1 | | ADAPTER - Fan |
| 44 | 84065 | 1 | S | WASHER - Flat 5/16 |
| 45 | 98792 | 3 | /P | BUMPER - Rubber |
| 46 | A00098A | 1 | | TANK - Fuel (Includes #47 & 48) |

HB180 Blower UT-08009
Engine

Page 5 of 7

| Ref # | Part Number | Qty | S/P/F | Description |
|-------|-------------|-----|-------|---------------------------------------|
| 47 | 49422 | 1 | S | FILTER - Fuel |
| 48 | 9477224 | 1 | S | TUBING - Rubber |
| 49 | A00099 | 1 | | FUEL CAP ASSEMBLY (Includes #50 - 52) |
| 50 | 98819 | 1 | /P | VALVE - Duck Bill |
| 51 | 98913 | 1 | S | FILTER |
| 52 | 98805 | 1 | S | GASKET - Fuel cap |
| 53 | 81208 | 2 | /P | NUT |



HB180 Blower UT-08009
Starter

Page 7 of 7

| Ref # | Part Number | Qty | S/P/F | Description |
|-------|-------------|-----|-------|--|
| 1 | 82528 | 1 | /P | SCREW - Thread Forming (#6-19 x 3/4 lg.) |
| 2 | 00374 | 1 | /P | PLATE - Rotor |
| 3 | 82511 | 1 | | SCREW - Thd forming 10 x 1/2 |
| 4 | 98791 | 1 | /P | BRACKET - Retaining |
| 5 | 98770 | 1 | | PULLEY - Starter |
| 6 | A98773 | 1 | | SPRING & CONTAINER |
| 7 | A97796 | 1 | S | BUSHING - Starter |
| 8 | 97899 | 1 | S | ROPE - Starter 46" |
| 9 | 70211 | 1 | S | GRIP - Starter rope |
| 10 | 00364 | 1 | | BUSHING - Starter rope |
| 11 | 00379 | 1 | | CLIP - Retainer |
| 12 | 00315 | 1 | | HOUSING - Volute (inner) |