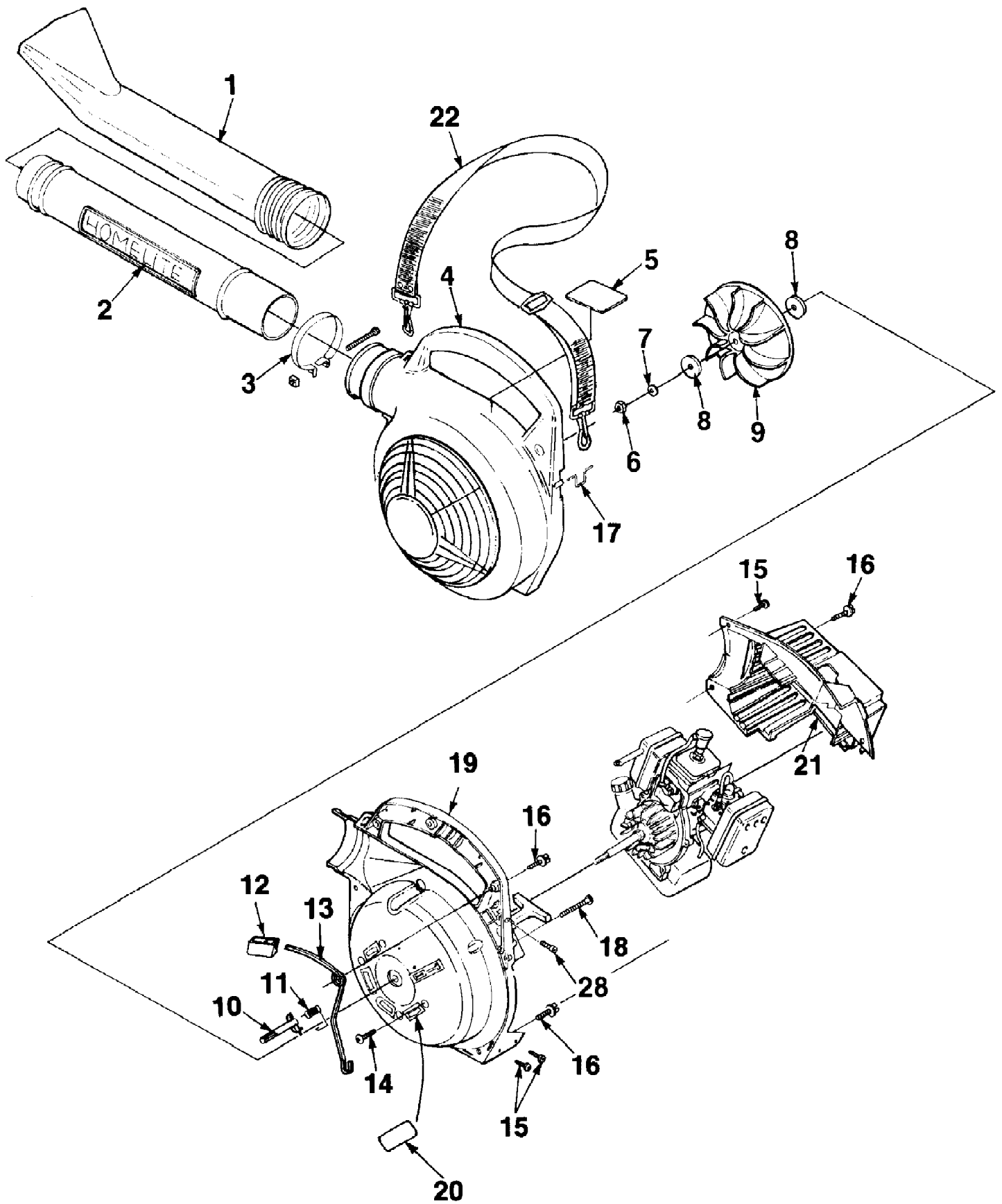


HB100 Blower UT-08018  
Blower

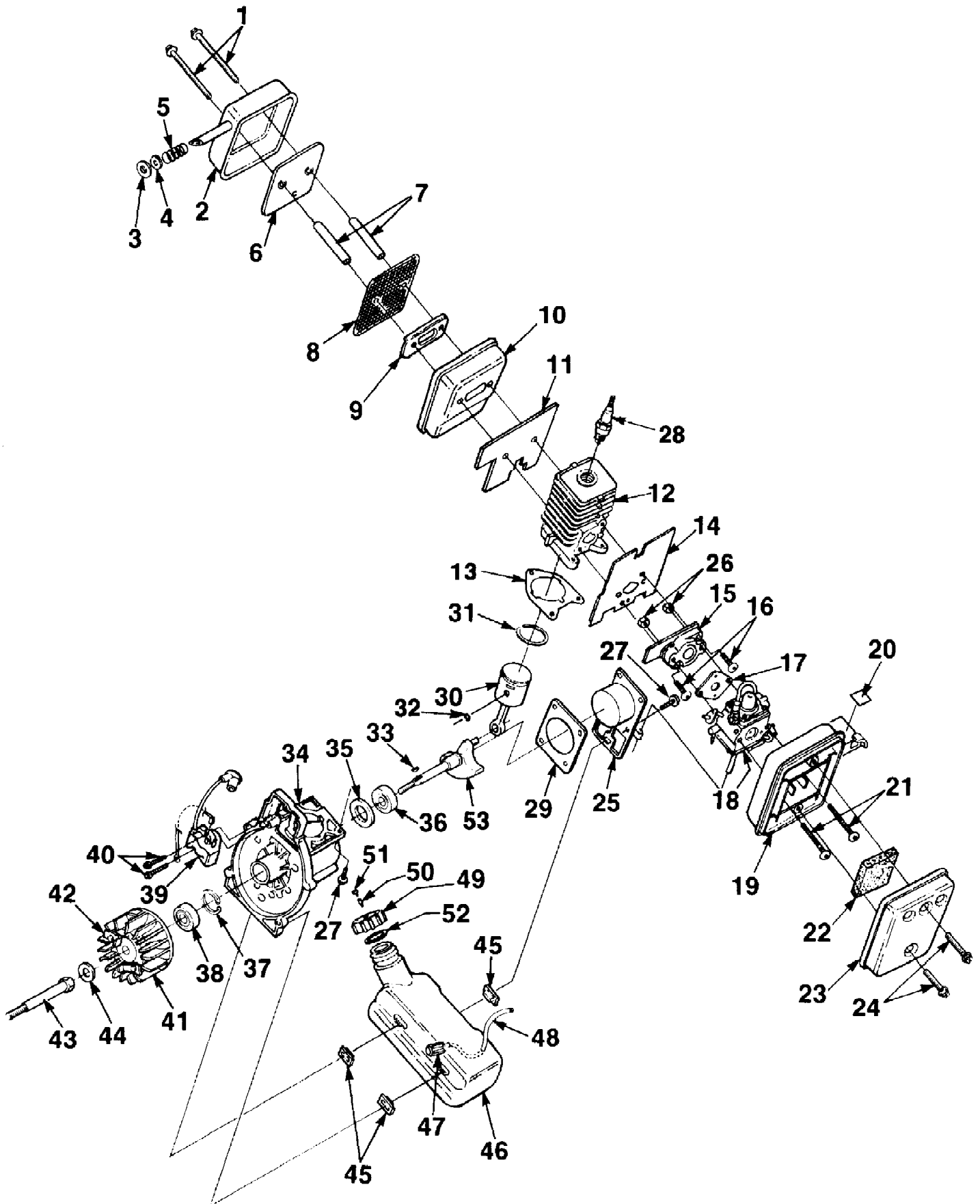
Page 1 of 6



HB100 Blower UT-08018  
Blower

Page 2 of 6

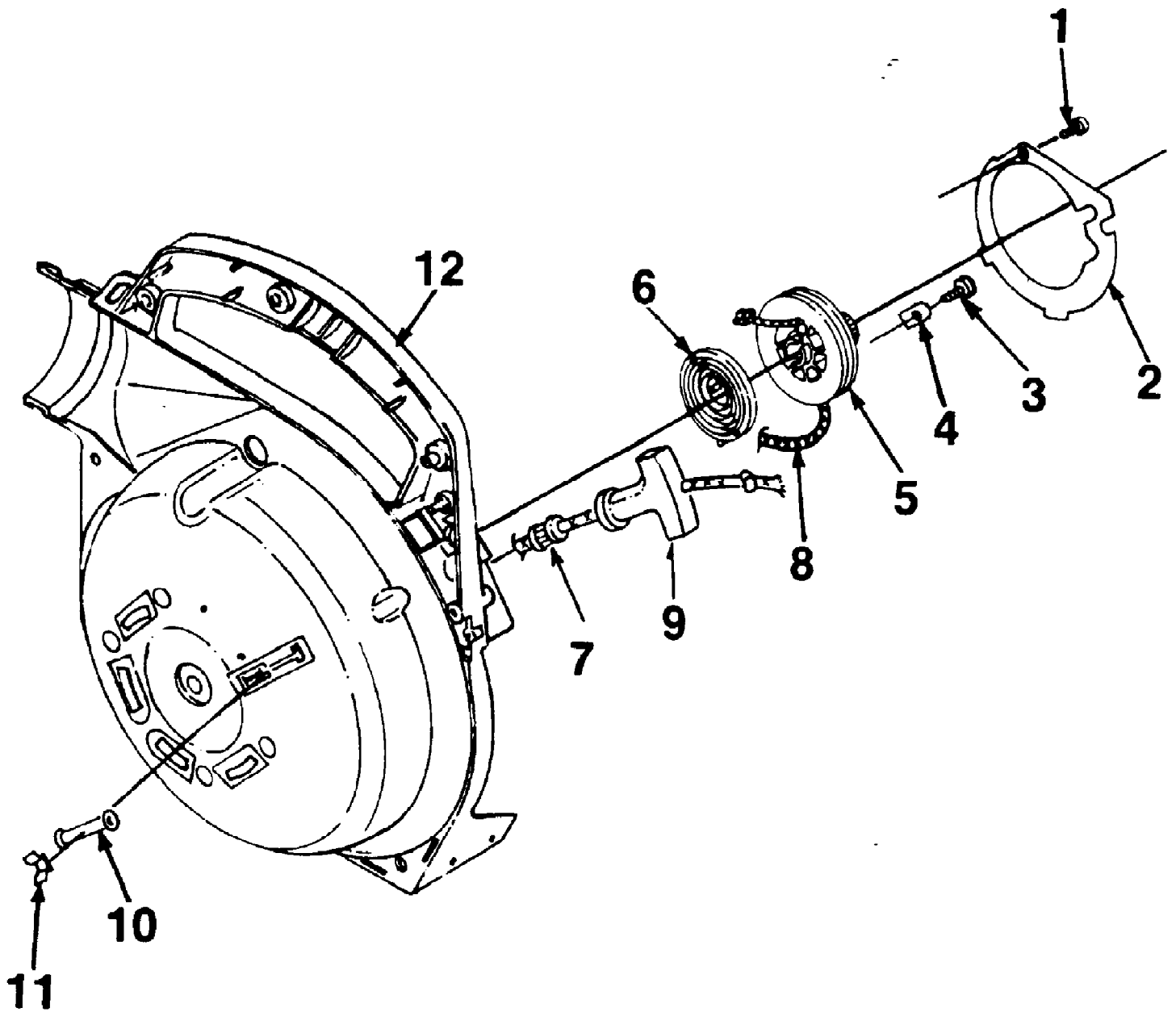
Ref #	Part Number	Qty	S/P/F	Description
1	00373	1		NOZZLE- Sweeper
2	A00399A	1	S	TUBE w/DECAL
3	00433	1		CLAMP
4	01039	1		HOUSING- Volute (outer)
5	00375	1		DECAL- Warning
6	81117	1	/P	NUT- Hex 5/16-24
7	70788	1	S	WASHER- Belleville #10
8	00380	2		WASHER- Flat
9	00318	1		FAN- Blower
10	00368	1		LATCH- Throttle
11	00370	1	S/P	SPRING- Throttle latch
12	00367	1	/P	TRIGGER- Throttle
13	00369	1		LEVER- Throttle
14	82508	1		SCREW- Thd Forming
15	82348	4		SCREW- Tapping pan #8 x 1/2
16	70771	8	S	SCREW- Thd forming #10 x 3/4
17	00398	1	/P	LOOP- Wire
18	JA416903	1	/P	SCREW- Hex hd. #10 x 15/8
19	A00814A	1		HOUSING- Volute (inner)
20	A00813A	1	S	KIT- Sealing
21	00321	1	S	SHROUD
22	DA98138A	1		STRAP- Shoulder (Acc.)
28	UNKNOWN	1		UNKNOWN



HB100 Blower UT-08018  
Engine

Page 4 of 6

Ref #	Part Number	Qty	S/P/F	Description
1	88060	2	S/P	SCREW- Sems Hex Hd. (10-24 x 2 1/2)
2	A00366	1	/P	COVER- Muffler
3	00381	1	/P	WASHER- Insulating
4	84117	1	/P	WASHER- Flat
5	00387	1	/P	SPRING- Compression
6	00777	1	/P	DEFLECTOR- Muffler
7	98860	2		SPACER- Muffler
8	00388B	1	/P	SCREEN- Spark arrestor
9	98783	1	/P	PLATE- Reinforcing
10	98781	1	S/P	BODY- Muffler
11	00394A	1	S	GASKET- Muffler
12	A00108	1		CYLINDER
13	98764	1		GASKET- Cylinder
14	00775	1		GASKET- Heat dam
15	98768	1	S	HEAT DAM
16	82510	2	S	SCREW- (10-24)
17	98766	1		GASKET- Carburetor
18	A00378	1		CARBURETOR (WT-80) Walbro
19	A04449	1	S	BOX-Air filter
20	98942	1		DECAL- Choke/Run
21	82507	2	/P	SCREW- Thread Forming (10-24 x 1)
22	D98760	1		AIR FILTER
23	98761	1		COVER- Air filter
24	82368	2	S	SCREW- Thread forming 8-16 x 3/4
25	98754A	1	S	COVER- Crankcase
26	81208	2	/P	NUT- Hex (1/4-28 x 3/4)
27	82508	3		SCREW- Thd forming #10-24 x 3/4
28	96169S	1	S	SPARK PLUG
29	98767	1		GASKET- Crankcase
30	A00239	1		PISTON & ROD ASSEMBLY
31	96935	1	S	RING- Piston
32	65261	1	/P	RING- Piston retaining
33	69250	1	/P	KEY- Woodruff
34	A00107	1		CRANKCASE ASSEMBLY
35	98800	1	/P	SEAL- Shaft
36	98797	1	/P	BEARING- Ball
37	98799	1	/P	RING- Retaining
38	98798	1	S	BEARING- Ball
39	94711B	1	S	MODULE- Ignition
40	82509	1	S	SCREW- Thd forming 8-32 x 1
41	A95007	1	S	ROTOR & STARTER PAWL
42	A70285D	1	S	STARTER PAWL KIT
43	00377	1		ADAPTER- Fan
44	84065	1	S	WASHER- Flat 5/16
45	98792	1	/P	BUMPER- Rubber
46	A00098A	1		TANK- Fuel
47	49422	1	S	FILTER- Fuel
48	9477228	1		TUBING- Rubber
49	A00099	1		FUEL CAP ASSEMBLY
50	98819	1	/P	VALVE- Duck Bill
51	98913	1	S	FILTER
52	98805	1	S	GASKET- Fuel cap
53	987583	1		CRANKSHAFT



HB100 Blower UT-08018  
 Starter

Page 6 of 6

Ref #	Part Number	Qty	S/P/F	Description
1	82528	1	/P	SCREW- Thread Forming (#6-19 x 3/4 lg.)
2	00374	1	/P	PLATE- Rotor
3	82511	1		SCREW- Thd. forming 10 x 1/2
4	98791	1	/P	BRACKET- Retaining
5	98770	1		PULLEY- Starter
6	A98773	1		SPRING & CONTAINER
7	A97796	1	S	BUSHING- Starter
8	97899	1	S	ROPE- Starter 46"
9	70211	1	S	GRIP- Starter rope
10	00364	1		BUSHING- Starter rope
11	00379	1		CLIP- Retainer
12	A00814A	1		HOUSING- Volute (inner)