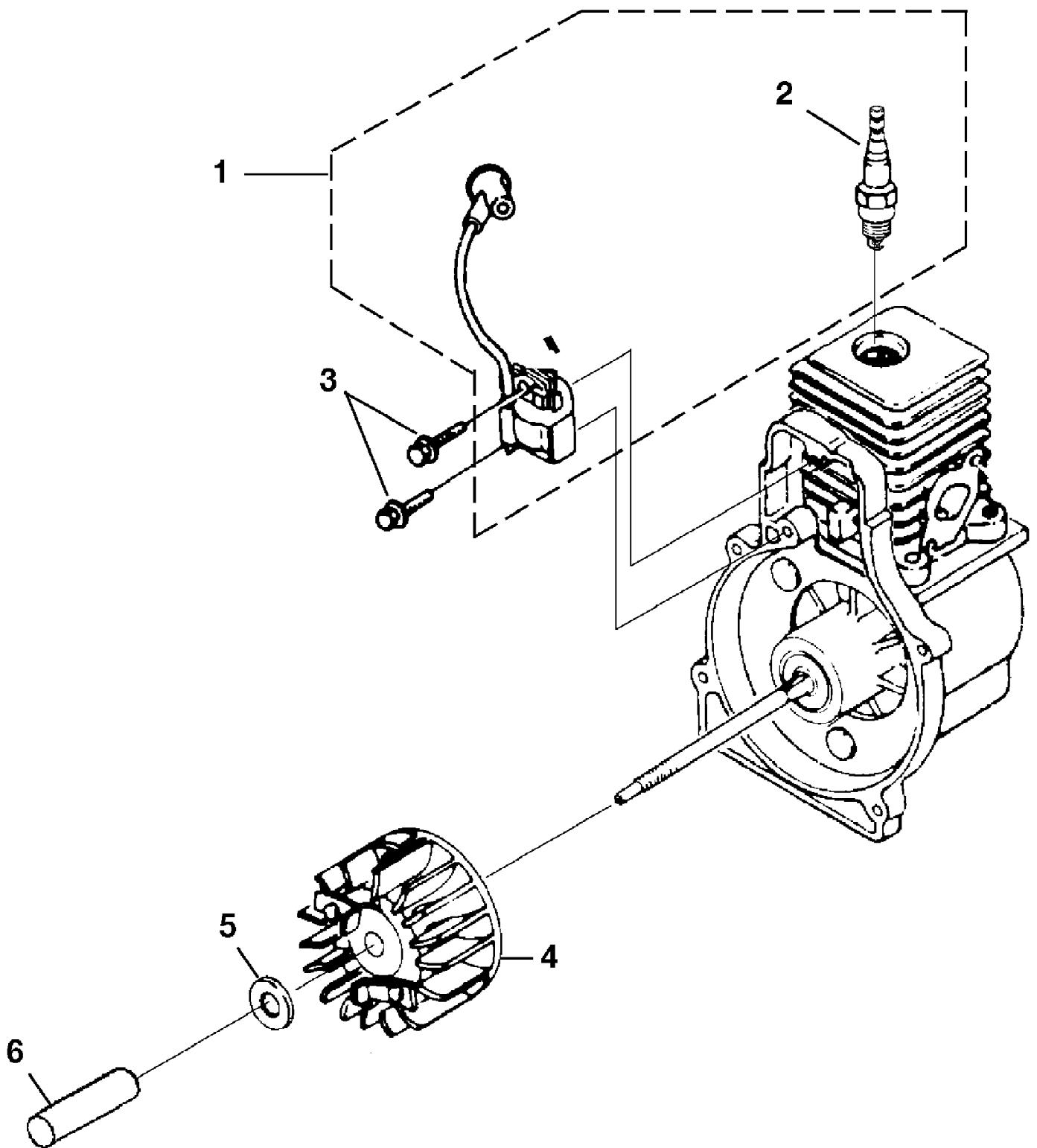


Blower UT-08934-B
Carburetor And fuel Tank

Page 2 of 12

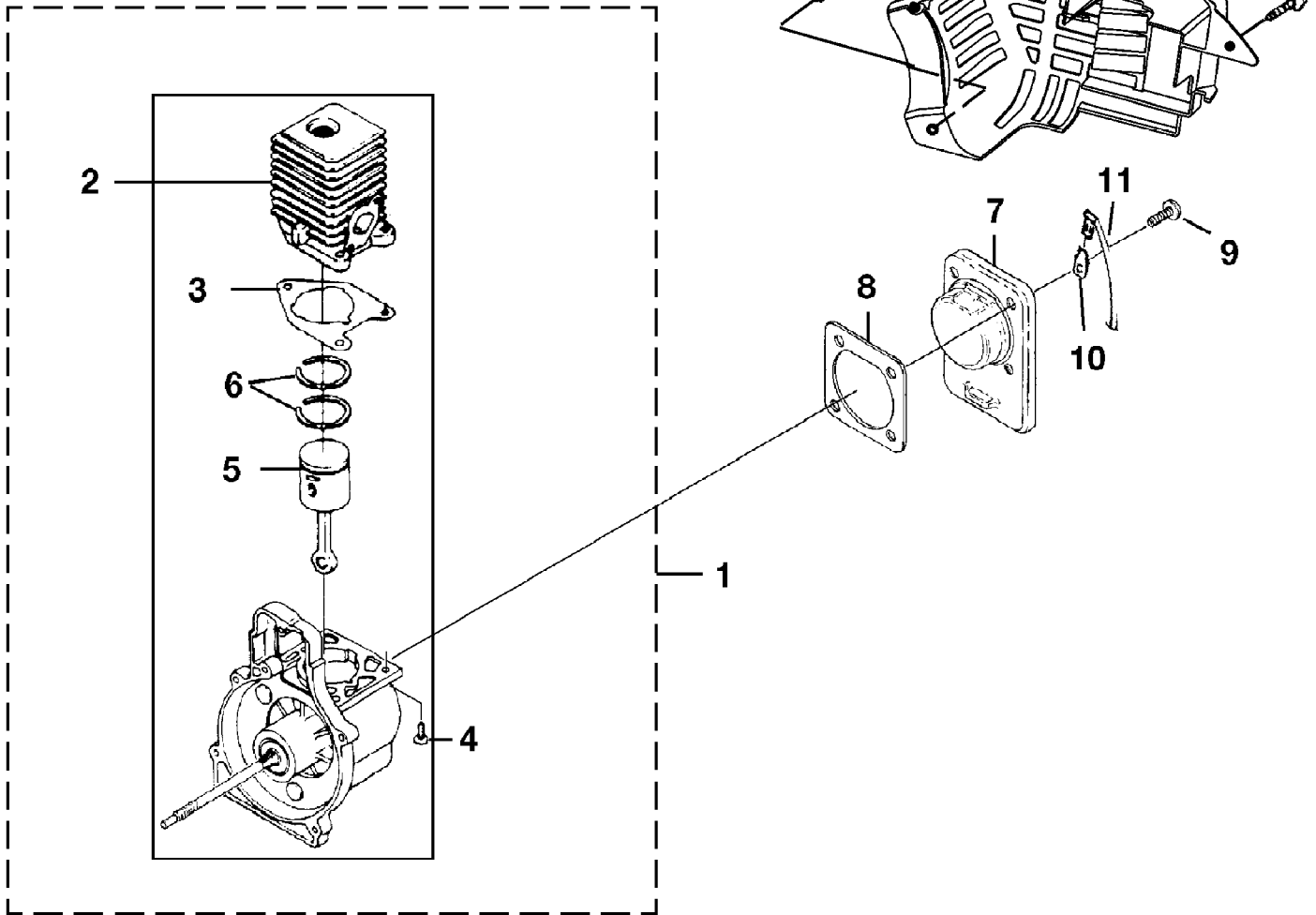
Ref #	Part Number	Qty	S/P/F	Description
1	984907001	1	S/P	FUEL TANK ASSEMBLY INCLUDES 1-4
2	300758006	1	/P	FUEL TANK CAP
3	08684	1	S/P	HEAT SHIELD
4	98792	3	/P	RUBBER BUMPER
5	985232001	1	S	CARBURETOR KIT INCLUDES 5-8
6	985304001	1	/P	INLINE FUEL FITTING
7	0143912	1	S/P	RUBBER TUBBING (2 in.)
8	986317001	1		CARBURETOR GASKET
9	00775A	1	S/P	HEAT DAM GASKET
10	04474	2	/P	SCREW (10-24 x 1 in.HEx HD.) PURCHASE LOCALLY
11	98768A	1	/P	HEAT DAM
12	093221	2	S/P	SCREW (10-24 x 1.110 in. PAN HD.) PURCHASE LOCALLY
13	985077001	1	S/P	FUEL FILTER KIT



Blower UT-08934-B
Ignition And Rotor

Page 4 of 12

Ref #	Part Number	Qty	S/P/F	Description
1	985122001	1	S	IGNITION KIT WITH MODULE INCLUDES 1-2
2	PS02227	1	S/P	SPARK PLUG
3	82540	2	/P	SCREW (8-32 x 1 in. TORx PAN HD.) PURCHASE LOCALLY
4	986153001	1	S/P	ROTOR AND STARTER PAWLS
5	95479A	1	/P	FLAT WASHER
6	PS03566	1	S/P	FAN SPACER

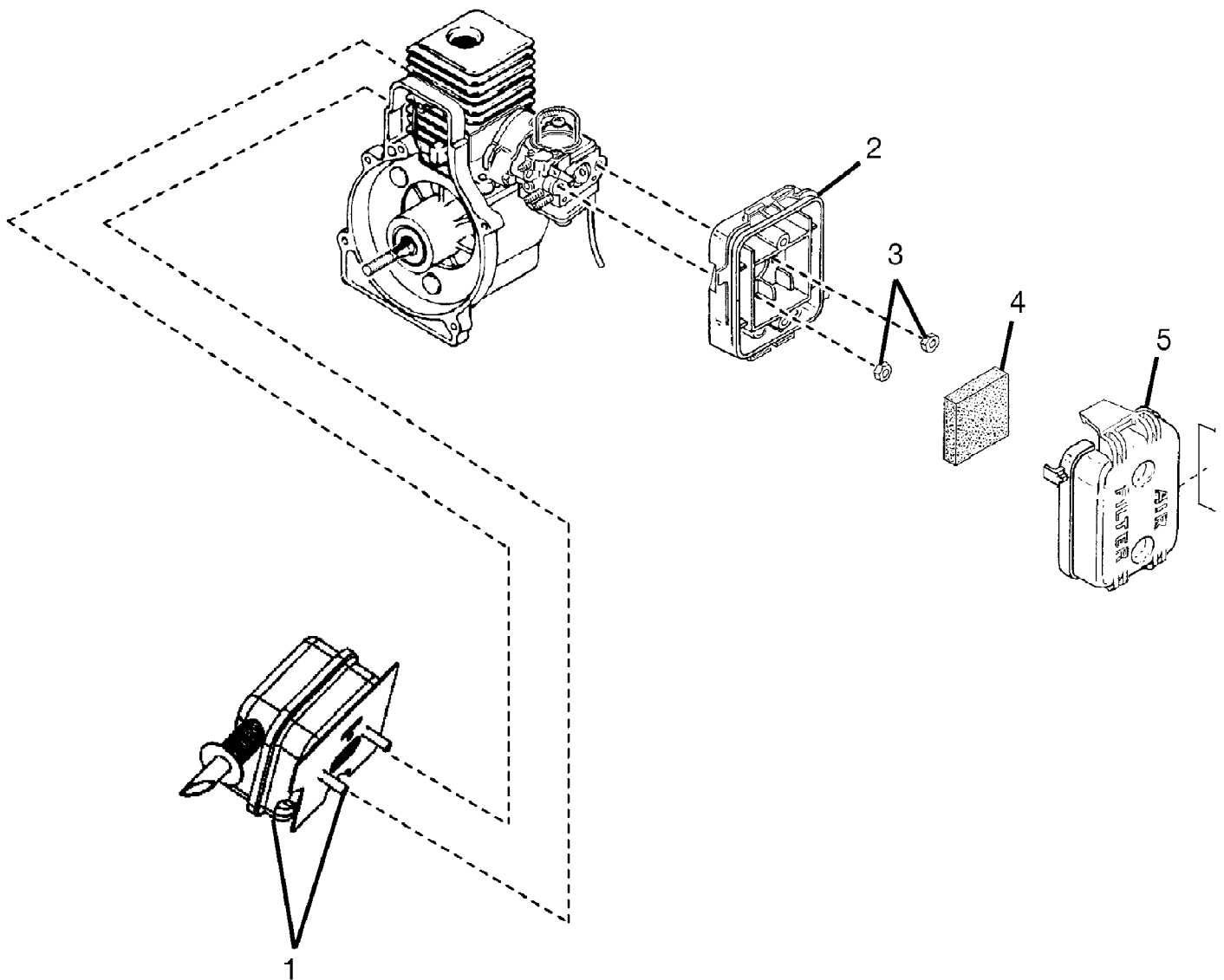


Blower UT-08934-B
Internal Engine

Page 6 of 12

Ref #	Part Number	Qty	S/P/F	Description
1	983928001	1		SHORT BLOCK (30cc) INCLUDES 1-6
2	985524002	1	/P	30cc CYLINDER
3	985259001	1	S/P	CYLINDER GASKET
4	PS02807	3	/P	SCREW (12-24 x 3/4 in. TOR x PAN HD.) PURCHASE LOCALLY
5	986119001	1		30cc PISTON ASSEMBLY
6	03179	2	/P	PISTON RING
7	PS02130	1	/P	CRANKCASE COVER
8	06443A	1	S/P	CRANKCASE GASKET
9	PS01565	4	/P	SCREW (10-24 x 9/16 in. PAN HD .) PURCHASE LOCALLY
10	02851	1	/P	MALE TAB
11	A07238	1	/P	LEAD-GROUND TO HANDLE
12	82376	3	/P	SCREW (#8 x 1/2 in. PAN HD.) PURCHASE LOCALLY
13	82563	1	/P	PURCHASE LOCALLY SCREW (#10 x 3/4 in. TORx TRUSS HD.)
14	PS06314	1	/P	SHROUD
15	983924001	1	/P	ZIP START DECAL

Blower UT-08934-B
Muffler And Air Cleaner

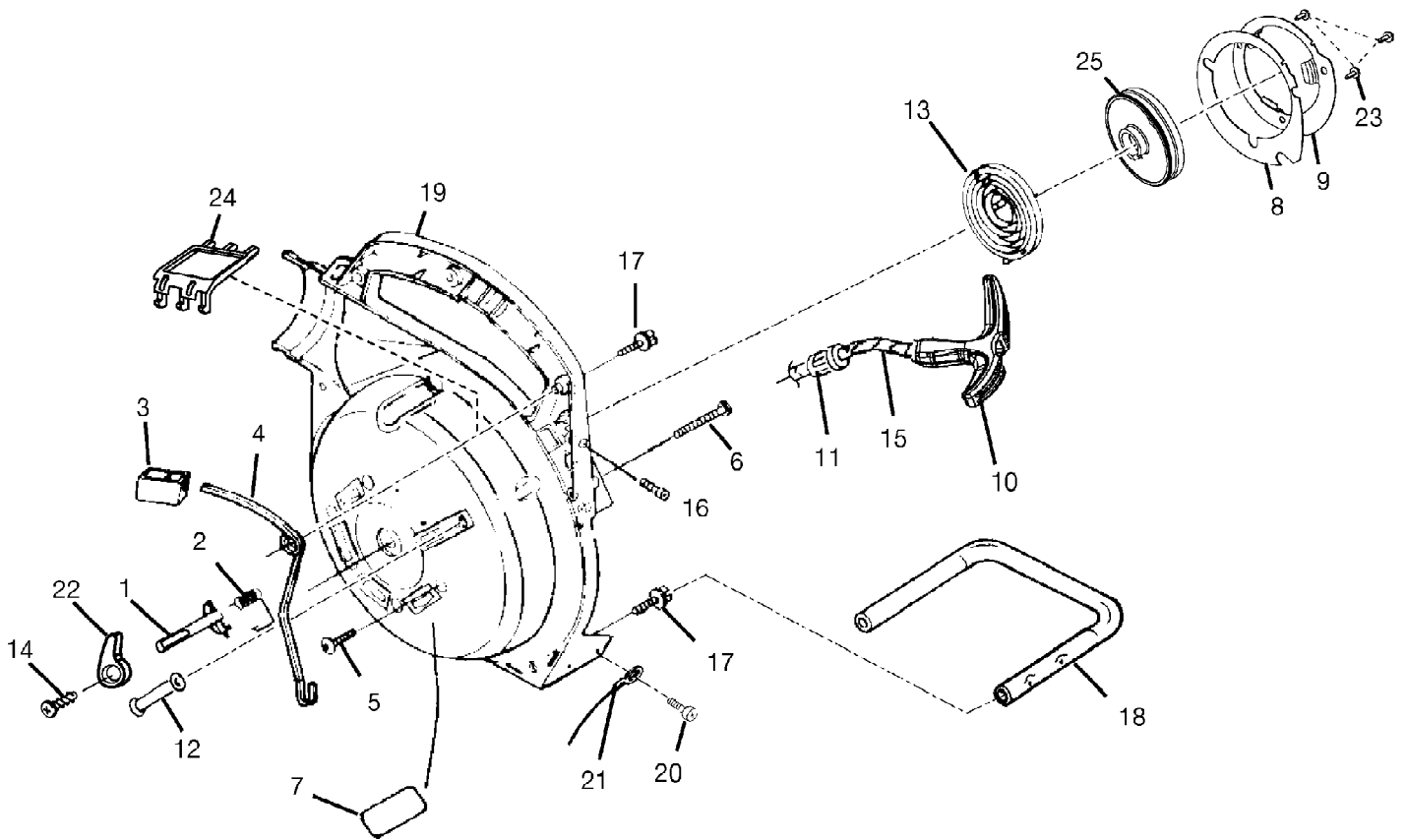


Blower UT-08934-B
Muffler And Air Cleaner

Page 8 of 12

Ref #	Part Number	Qty	S/P/F	Description
1	985912001	1	/P	MUFFLER COMPLETE
2	09217	1	/P	AIR FILTER BOX
3	81208	2	/P	HEX NUT (10-24) PURCHASE LOCALLY
4	98760	1	/P	AIR FILTER
5	09218	1	/P	AIR FILTER COVER
6	983904001	1	/P	CHOKE DECAL

Blower UT-08934-B
Starter

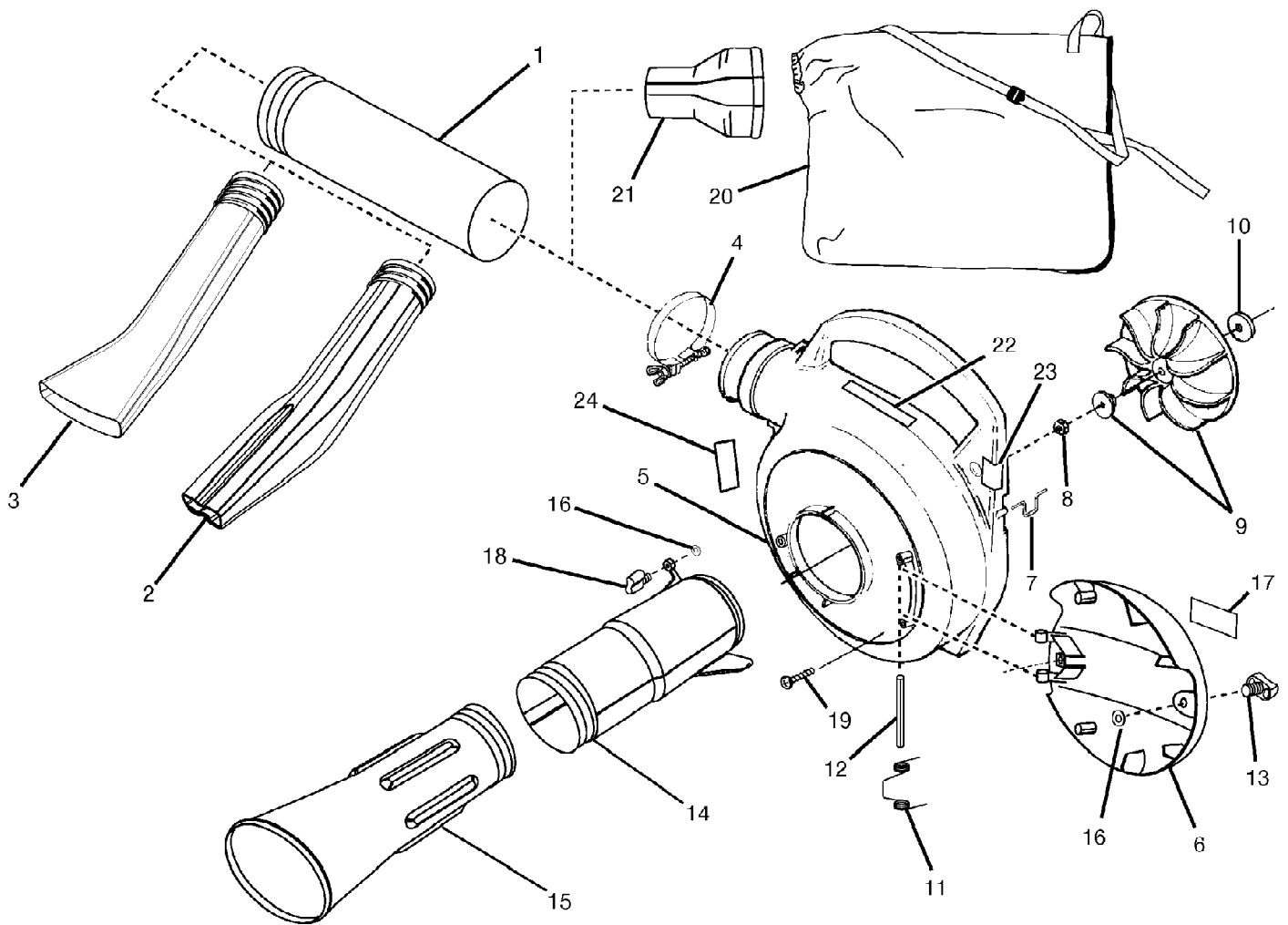


Blower UT-08934-B
Starter

Page 10 of 12

Ref #	Part Number	Qty	S/P/F	Description
1	983864001	1	/P	THROTTLE LATCH
2	00370	1	S/P	THROTTLE LATCH SPRING
3	00367	1	/P	THROTTLE TRIGGER
4	00369A	1	/P	THROTTLE LEVER
5	82538	4	/P	SCREW (10-24 x 3/4 in. TRUSS HD.) PURCHASE LOCALLY
6	JA416903	1	/P	SCREW (10 x 1-5/8 in. HEX HD.) PURCHASE LOCALLY
7	08684	5	S/P	HEAT SHEILD
8	985261001	1	/P	BAFFLE GASKET
9	PS00326	1	/P	BAFFLE
10	5946702	1	S/P	STARTER GRIP (YELLOW)
11	969811A	1	/P	Bu SHING STARTER
12	00364B	1	S/P	STARTER ROPE GUIDE
13	A98773A	1	S/P	SPRING AND CONTAINER
14	82541	3	/P	SCREW (10-24 x 1/2 in. TORx TRu SS HD.) PURCHASE LOCALLY
15	900849004	1	/P	ROPE STARTER
16	PS82146	1	S/P	SCREW (8-32 x 5/8 in. FIL. HD.) PURCHASE LOCALLY
17	82563	5	/P	SCREW (10-14 x 3/4 in. TORx TRu SS HD.) PURCHASE LOCALLY
18	983918001	1	/P	LOW ER HANDLE
19	H4207401	1		INNER v OLu TE HOu SING
20	82348A	2	/P	SCREW (8-18 x 1/2 in. PAN HD.) PURCHASE LOCALLY
21	A07238	1	/P	LEAD-GROUND
22	983856001	1	/P	THROTTLE CONTROL KNOB
23	82376	3	/P	SCREW
24	9096101	1	S	SCREEN COVER
25	308374001	1	/P	PULLEY ASSEMBLY

Blower UT-08934-B
Volute, Fan And Tubes



Blower UT-08934-B
Volute, Fan And Tubes

Page 12 of 12

Ref #	Part Number	Qty	S/P/F	Description
1	983916001	1	/P	UPPER TUBE
2	983913001	1	/P	SWEEPER NOZZLE
3	00373A	1	S/P	LOWER NOZZLE
4	983906001	1	S/P	CLAMP WITH FASTENERS
5	H4207601	1	S	OUTER VOLUTE HOUSING
6	983861001	1		DOOR
7	00398	1	/P	WIRE LOOP
8	985738006	1	/P	HEX NUT (3/8-24) PURCHASE LOCALLY
9	984911001	1	S/P	BLOW ER FAN KIT
10	03165	1	S/P	FLAT WASHER
11	983863001	1	S	DOOR HINGE SPRING
12	983862001	1	/P	DOOR HINGE SHAFT
13	983898002	1		BLOW ER KNOB
14	983915001	1	S	UPPER VACUME TUBE
15	08202	1	/P	LOW ER VACUME TUBE
16	983905001	2		RETAINER
17	985201001	1	/P	DOOR VAC ATTACK DECAL
18	983898001	1	/P	BLOWER KNOB
19	82541	2	/P	SCREW (10 x 1/2 in. TORx TRUSS HD.) PURCHASE LOCALLY
20	983914001	1	/P	LEAF BAG
21	983917001	1	S	VACUUM BAG TUBE
22	983901001	1	/P	WARNING DECAL
23	983903001	1		OUTER VOLUTE DECAL
24	983912001	1	/P	FAN INTAKE DECAL
	983000257	1	/P	OPERATOR'S MANUAL (UT08934B)
	983000654	1		OPERATOR'S MANUAL (UT08934D)
	983000257R	1		REPAIR SHEET (UT08934B)
	983000654R	1		REPAIR SHEET (UT08934D) (REv:02)