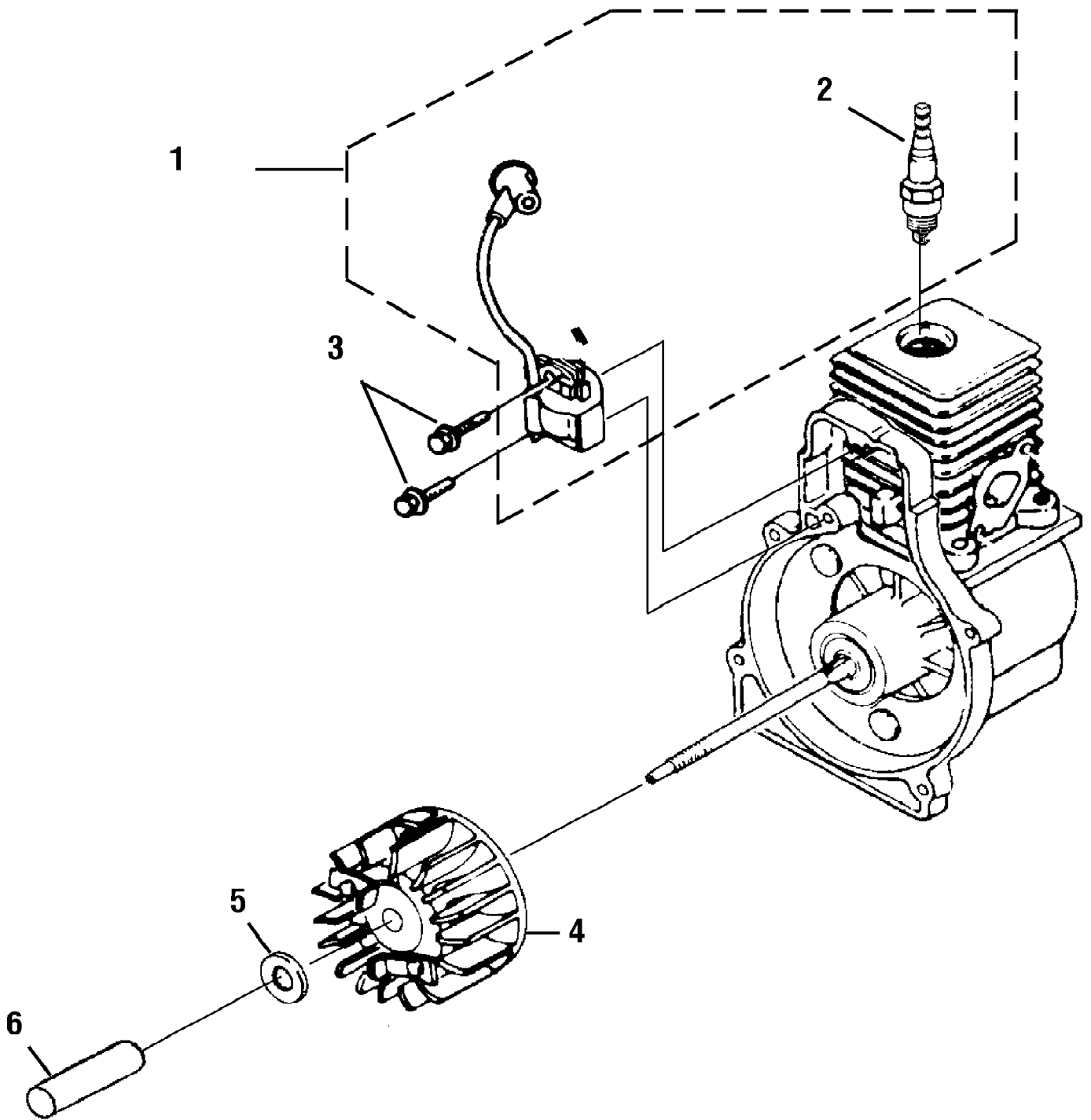


Blower UT-08932
Carburetor And Fuel Tank

Page 2 of 12

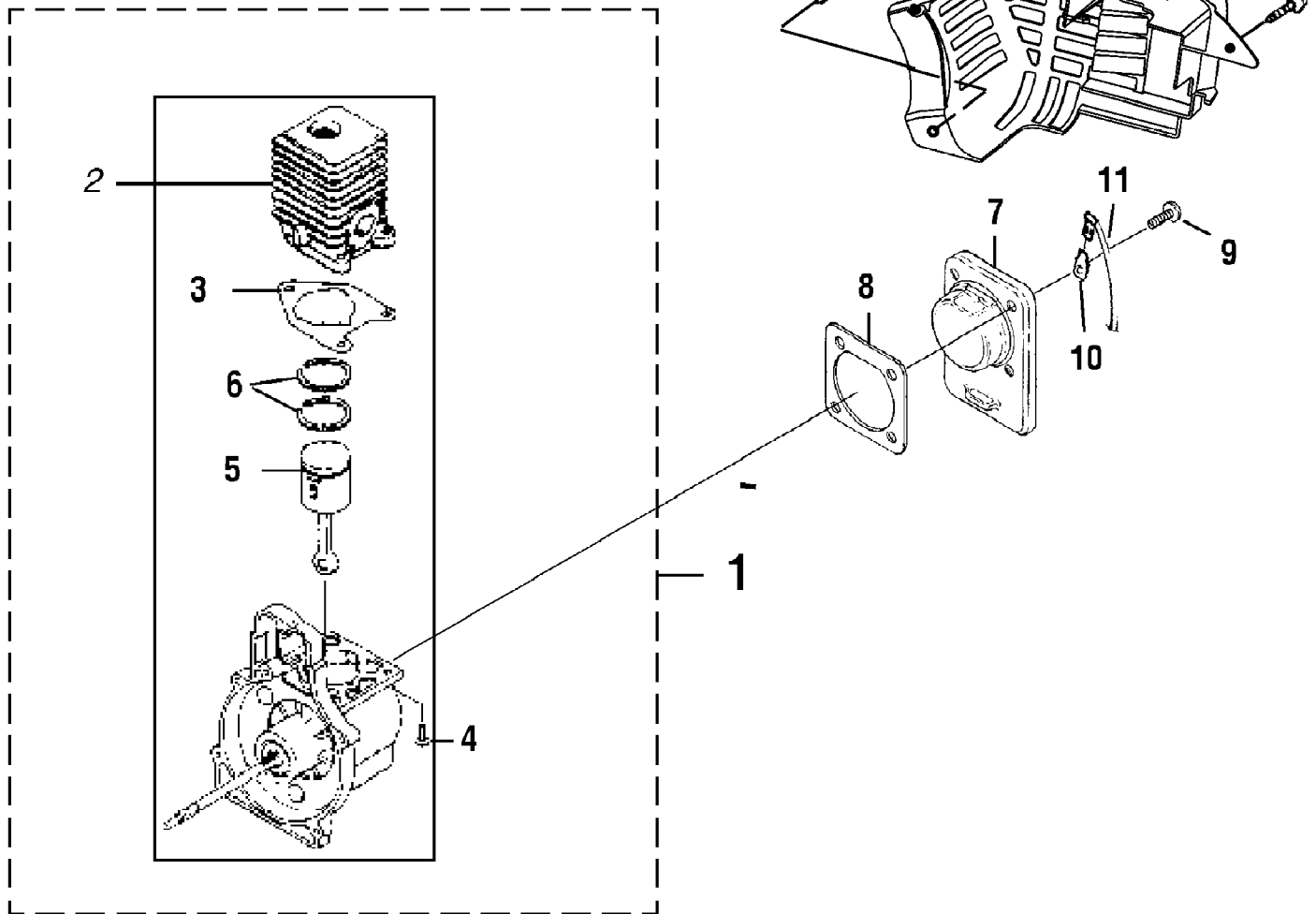
Ref #	Part Number	Qty	S/P/F	Description
1	984907001	1	S/P	FUEL TANK KIT INCLUDES 1-3
2	A09116	1	S/P	FUEL TANK CAP
3	08684	1	S/P	HEAT SHIELD
4	98792	3	/P	RUBBER BUMPER
5	985232001	1	S	CARBURETOR KIT INCLUDES 5-7
6	985304001	1	/P	INLINE FUEL FITTING
7	0143912	1	S/P	RUBBER TUBBING (3 in.)
8	983925001	1		CARBURETOR GASKET
9	00775A	1	S/P	HEAT DAM GASKET
10	04474	2	/P	SCREW (10-24 x 1 in. HEX HD)
11	98768A	1	/P	HEAT DAM
12	093221	2	S/P	SCREW (10-24 x 1.110 in. PAN HD)
13	985077001	1	S/P	FUEL FILTER KIT



Blower UT-08932
Ignition And Rotor

Page 4 of 12

Ref #	Part Number	Qty	S/P/F	Description
1	985122001	1	S	IGNITION KIT WITH MODULE INCLUDES 1-2
2	PS02227	1	S/P	SPARK PLUG
3	82540	2	/P	SCREW (8-32 x 1 in. TORX PAN HD.) PURCHASE LOCALLY
4	984521001	1	S	ROTOR AND STARTER PAWLS
5	95479A	1	/P	FLAT WASHER
6	PS03566	1	S/P	FAN SPACER

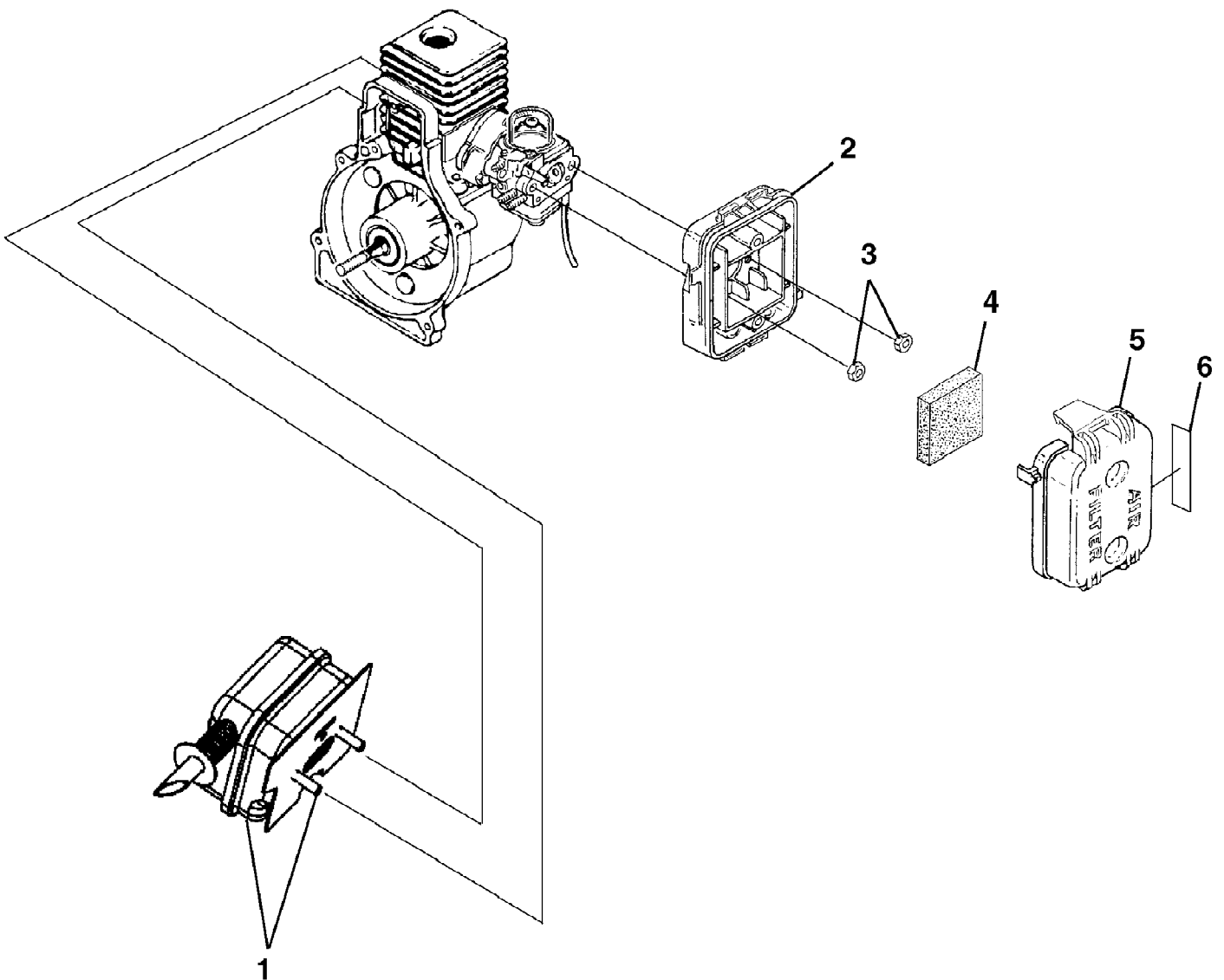


Blower UT-08932
Internal Engine

Page 6 of 12

Ref #	Part Number	Qty	S/P/F	Description
1	983928001	1		SHORT BLOCK (30cc) INCLUDES 1-6
2	985524002	1	/P	30cc CYLINDER
3	985259001	1	S/P	CYLINDER GASKET
4	PS02807	3	/P	SCREW (12-24 x 3/4 in. TORX PAN HD.) PURCHASE LOCALLY
5	984543001	1	S	30cc PISTON AND ROD
6	985607001	2	/P	PISTON RING.
7	PS02130	1	/P	CRANKCASE COVER.
8	06443A	1	S/P	CRANKCASE GASKET
9	PS01565	4	/P	SCREW (10-24 x 9/16 in. PAN HD.) PURCHASE LOCALLY
10	02851	1	/P	MALE TAB.
11	A07238	1	/P	LEAD-GROUND TO HANDLE.
12	82376	3	/P	SCREW (#8 x 1/2 in. PAN HD.) PURCHASE LOCALLY
13	82563	1	/P	SCREW (#10 x 3/4 in. TORX TRUSS HD.) PURCHASE LOCALLY
14	PS06314	1	/P	SHROUD
15	983924001	1	/P	ZIP START DECAL

Blower UT-08932
Muffler And Air Cleaner

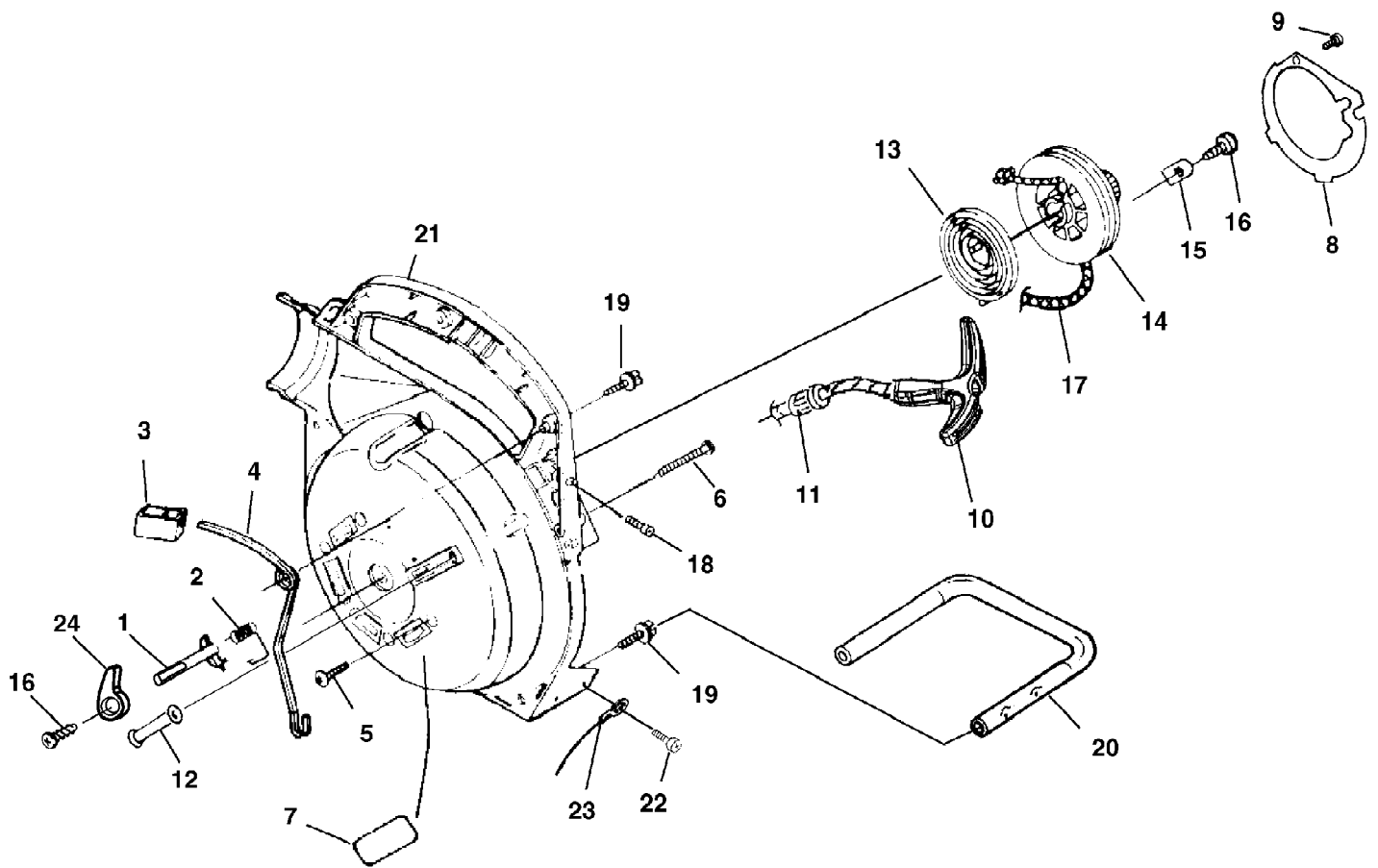


Blower UT-08932
Muffler And Air Cleaner

Page 8 of 12

Ref #	Part Number	Qty	S/P/F	Description
1	PA01668	1	/P	MUFFLER COMPLETE
2	09217	1	/P	AIR FILTER BOX
3	81208	2	/P	HEX NUT (10-24) PURCHASE LOCALLY
4	98760	1	/P	AIR FILTER
5	09218	1	/P	AIR FILTER COVER
6	983904001	1	/P	CHOKE DECAL

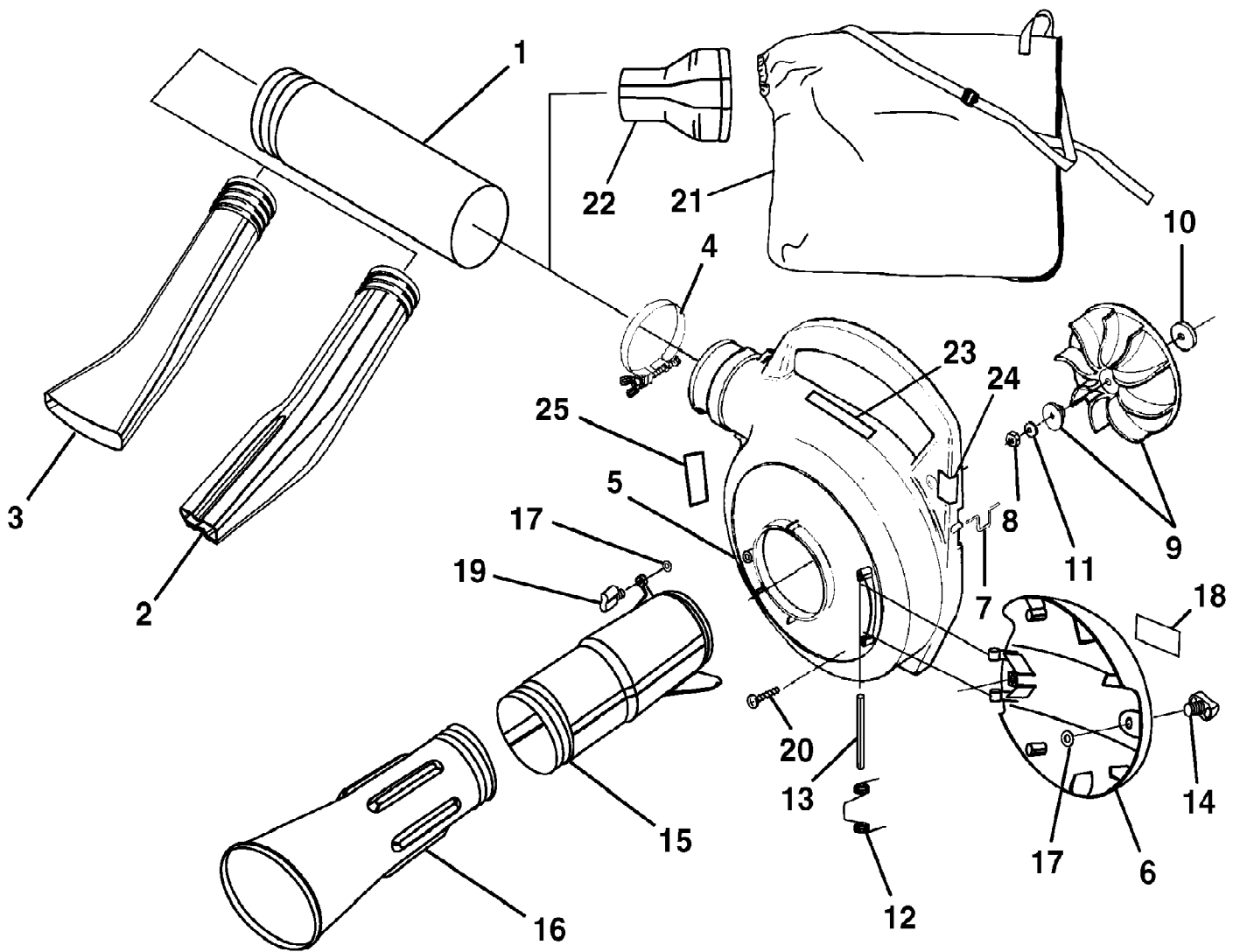
Blower UT-08932
Starter



Blower UT-08932
Starter

Page 10 of 12

Ref #	Part Number	Qty	S/P/F	Description
1	983864001	1	/P	THROTTLE LATCH
2	00370	1	S/P	THROTTLE LATCH SPRING
3	00367	1	/P	THROTTLE TRIGGER.
4	00369A	1	/P	THROTTLE LEVER
5	82538	4	/P	SCREW (10-24 x 3/4 in. TRUSS HD.) PURCHASE LOCALLY
6	JA416903	1	/P	SCREW (10 x 1-5/8 in. HEX HD.) PURCHASE LOCALLY
7	08684	5	S/P	HEAT SHEILD
8	00374	1	/P	ROTOR PLATE
9	82528	1	/P	SCREW (#6 x 1 3/8) PURCHASE LOCALLY
10	5946702	1	S/P	STARTER GRIP (YELLOW)
11	969811A	1	/P	BUSHING STARTER
12	00364B	1	S/P	STARTER ROPE GUIDE
13	A98773A	1	S/P	SPRING AND CONTAINER
14	98770A	1	/P	STARTER PULLEY
15	98791	2	/P	RETAINING BRACKET
16	82541	3	/P	SCREW (10-24 x 1/2 in. TORX TRUSS HD.) PURCHASE LOCALLY
17	9789901	1	/P	STARTER ROPE
18	PS82146	1	S/P	SCREW (8-32 x 5/8 in. FIL. HD.) PURCHASE LOCALLY
19	82563	5	/P	SCREW (10-14 x 3/4 in. TORX TRUSS HD.) PURCHASE LOCALLY
20	983918001	1	/P	HANDLE
21	PS03167	1		INNER VOLUTE HOUSING
22	82348A	2	/P	SCREW (8-18 x 1/2 in. PAN HD.) PURCHASE LOCALLY
23	A07238	1	/P	LEAD-GROUND
24	983856001	1	/P	THROTTLE CONTROL KNOB



Blower UT-08932
Volute, Fan And Tubes

Page 12 of 12

Ref #	Part Number	Qty	S/P/F	Description
1	983916001	1	/P	UPPER TUBE
2	983913001	1	/P	SWEEPER NOZZLE
3	00373A	1	S/P	LOWER NOZZLE
4	983906001	1	S/P	CLAMP WITH FASTENERS
5	983857002	1		OUTER VOLUTE HOUSING
6	983861001	1		DOOR
7	00398	1	/P	WIRE LOOP
8	81124A	1	/P	HEX NUT (3/8-24) PURCHASED LOCALLY
9	984911001	1	S/P	BLOWER FAN KIT
10	03165	1	S/P	FLAT WASHER
11	03163	1	/P	BELLVILLE WASHER (3/8)
12	983863001	1	S	DOOR HINGE SPRING
13	983862001	1	/P	DOOR HINGE SHAFT
14	983898002	1		BLOWER KNOB
15	983915001	1	S	UPPER VACUUM TUBE
16	08202	1	/P	LOWER VACUUM TUBE
17	983905001	2		RETAINER
18	985201001	1	/P	DOOR VAC ATTACK DECAL
19	983898001	1	/P	BLOWER KNOB
20	82541	2	/P	SCREW (10 x 1/2 in. TORX TRUSS HD.) PURCHASED LOCALLY
21	983914001	1	/P	LEAF BAG
22	983917001	1	S	VACUUM BAG TUBE
23	983901001	1	/P	WARNING DECAL
24	983903001	1		OUTER VOLUTE DECAL
25	983912001	1	/P	FAN INTAKE DECAL
	983000-257	1	S	OPERATOR'S MANUAL
	983000-257R	1		REPAIR SHEET (REV.00)