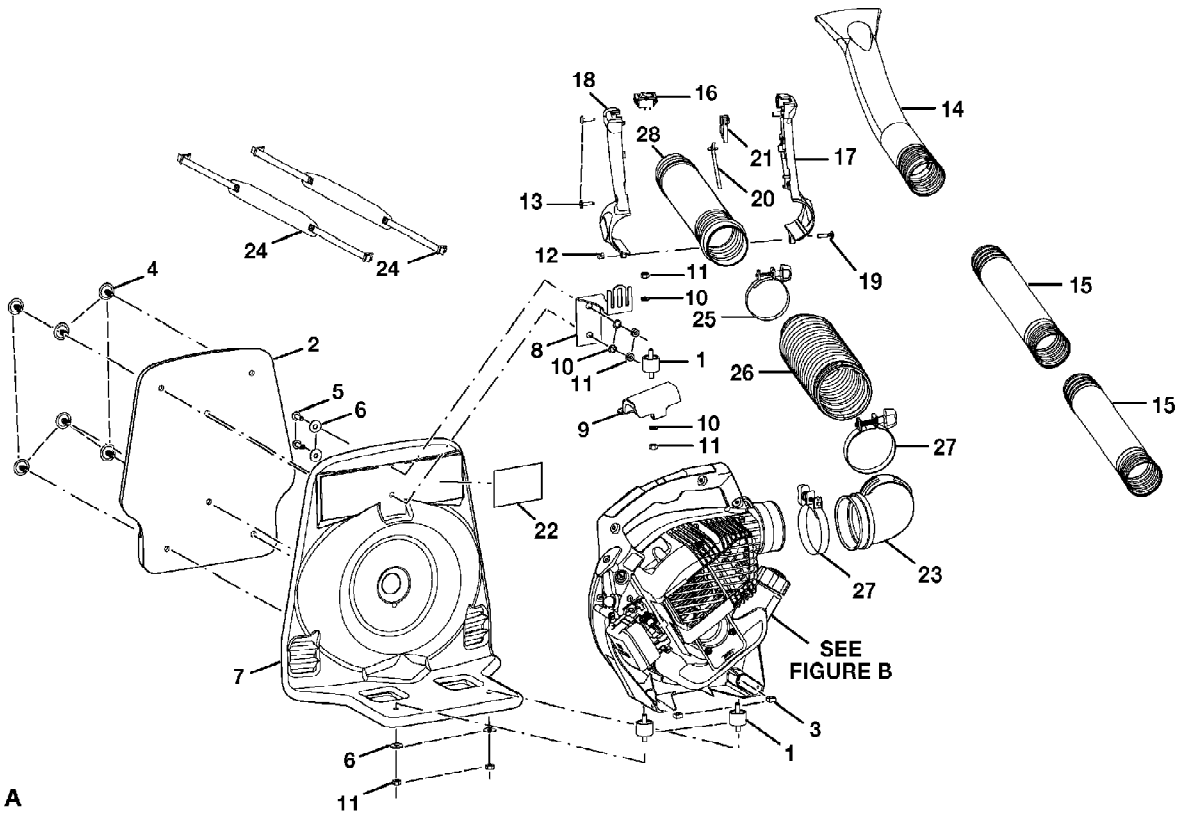


HOMELITE BACKPACKER II BLOWERS - MODEL NUMBERS UT08072, UT08572 AND UT08572A



Ref #	Part Number	Qty	S/P/F	Description
1	650028001	3	S	VIBRATION ISOLATOR
2	900968001	1	S	FOAM PAD
3	678108001	2	S	SQUARE NUT
4	518093001	6	S	PUSH CLIP
5	660678001	2	S	SCREW (1/4-20 x 3/4 in.) May Be Purchased Locally
6	678110001	4	S	FLAT WASHER
7	518092001	1	S	BLOWER FRAME
8	638085001	1	/P	FRAME BRACKET
9	638155001	1		ISOLATOR BRACKET
10	678109001	4	S	LOCK WASHER
11	678111001	6	S	HEX NUT May Be Purchased Locally
12	678112001	1	S	WING NUT
13	660629001	2	S	SCREW (10-14 x 3/4 in. TORX TRUSS HD.) May Be Purchased Locally
14	580577001	1	/P	SWEEPER NOZZLE
15	580569001	2	/P	STRAIGHT TUBE
16	760363002	1	S	SWITCH
17	580567001	1	S	HANDLE CONTROL - RT
18	580568001	1	/P	HANDLE CONTROL - LT
19	660680001	1	S	BOLT
20	518090001	1	S	TRIGGER LATCH
21	518091001	1	/P	TRIGGER
22	940615001	1		BACKPACKER LABEL
23	580565001	1	/P	ELBOW
24	900971001	2	S	CARRYING STRAP
25	348006003	1	S	CLAMP
26	580566001	1	S	BELLOWS
27	348006002	2		TUBE CLAMP
28	580570001	1	S	UPPER TUBE
29	650031001	1	S	CABLE BRACKET (NOT SHOWN)
30	270020001	1	/P	HARNES WIRE & THROTTLE (NOT SHOWN)
31	638081001	1		TAB (MALE 250 x 032,) (NOT SHOWN)
32	900969001	1	S	SAFETY STRAP (NOT SHOWN)
33	900972001	1	/P	NYLON TIE STRAP (NOT SHOWN)
	983000595	1		OPERATOR'S MANUAL (960277008)
	983000782	1		OPERATOR'S MANUAL (UT08572A)
	983000595R	1		REPAIR SHEET

HOMELITE BACKPACKER II BLOWERS - MODEL NUMBERS UT08072, UT08572 AND UT08572A

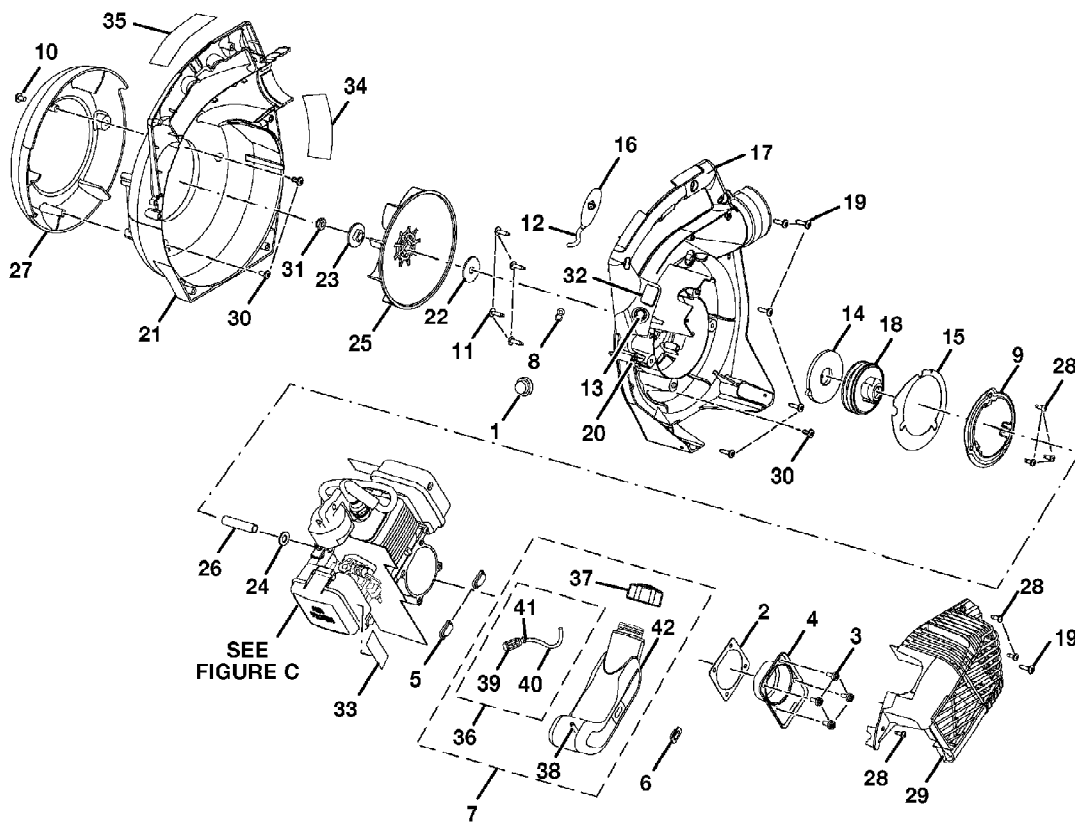


Figure B

Ref #	Part Number	Qty	S/P/F	Description
1	308088001	1	/P	PRIMER BULB
2	900954001	1	/P	CRANKCASE GASKET
3	660664001	4	S	SCREW (10-24 x 9/16 in. PAN HD.) May Be Purchased Locally
4	638031001	1	S	CRANKCASE COVER
5	570256001	2	S	RUBBER BUMPER
6	570549001	1	/P	BIG BUMPER
7	308123004	1	/P	FUEL TANK ASSEMBLY (INC. KEY NOS. 36-38 AND 42)
8	650013001	1	/P	BUSHING-STARTER ROPE
9	638032001	1	S	BAFFLE PLATE
10	660668001	1	S	SCREW (1/4-20 X 3/4) May Be Purchased Locally
11	660630002	4	S	SCREW (10-24 x 3/4 in. TRUSS HD.) May Be Purchased Locally
12	900849004	1	/P	STARTER ROPE
13	650014001	1	S	BUSHING STARTER
14	638033001	1	/P	SPRING & CONTAINER
15	900957001	1	S	BAFFLE GASKET
16	518073001	1	S	STARTER GRIP
17	518249001	1		INNER VOLUTE HOUSING
18	308134001	1	S	PULLEY ASSEMBLY
19	660629001	6	S	SCREW (10-14 x 3/4 in. TORX TRUSS HD.) May Be Purchased Locally
20	660667001	1	S	SCREW (10 x 1-5/8 in. HEX HD.) May Be Purchased Locally
21	518250001	1		OUTER VOLUTE
22	650016001	1	/P	FLAT WASHER
23	640858001	1		FAN ADAPTOR
24	650017001	1	S	FLAT WASHER
25	518077001	1	S	FAN
26	650018001	1		FAN SPACER
27	518078001	1		DOOR
28	660669001	6	S	SCREW (#8 x 1/2 in. PAN HD.) May Be Purchased Locally
29	518251001	1		BLOWER SHROUD
30	660618001	3	S	SCREW (10-24 x 3/4 in. TORX TRUSS HD.) May Be Purchased Locally
31	660730001	1	S	NUT (3/8-24) May Be Purchased Locally
32	940630007	1		SWITCH COVER LABEL
33	940647001	1	/P	CHOKE LABEL
34	940299493	1	S	FAN INTAKE WARNING LABEL
35	940642005	1		WARNING/STARTING LABEL
36	308283001	1	S	FUEL FILTER KIT (INC. KEY NOS. 39-41)
37	300758006	1	/P	FUEL CAP ASSEMBLY
38	570259005	1		RUBBER TUBING (196.85 mm)
39	300759003	1	S	FUEL FILTER
40	570258003	1		RUBBER TUBING (114.3 mm)
41	690765001	1	/P	WIRE CLAMP

Backpacker II Blower UT-08572-A  
Figure B

Page 5 of 7

Ref #	Part Number	Qty	S/P/F	Description
42	580553002	1		FUEL TANK

HOMELITE BACKPACKER II BLOWERS - MODEL NUMBERS UT08072, UT08572 AND UT08572A

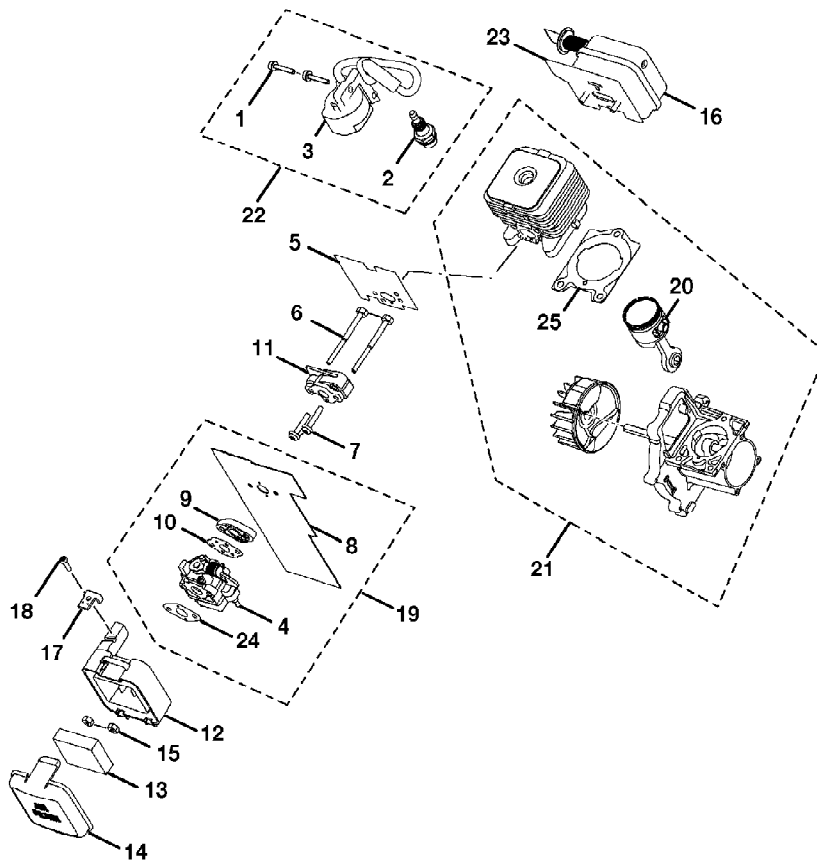


Figure C

Ref #	Part Number	Qty	S/P/F	Description
1	660660001	2	S	SCREW THD FORMING
2	870174001	1	/P	SPARK PLUG CHAMPION - RCJ-6Y
3	850080001	1	/P	IGNITION MODULE
4	308028004	1		CARBURETOR
5	900950001	1	/P	HEAT DAM GASKET
6	660346002	2		CARBURETOR MOUNTING BOLT
7	660662001	2	/P	SCREW (10-24 x 1.11 PAN HD.). May Be Purchased Locally
8	900951004	1		CARBURETOR GASKET
9	518120001	1	S	SPACER
10	900711003	1	S	GASKET
11	518087001	1	S	HEAT DAM
12	518248001	1		AIR FILTER BOX
13	900952001	1	S/P	AIR FILTER
14	518072001	1	S	AIR FILTER COVER
15	678027001	2	S	HEX NUT (10-24) May Be Purchased Locally
16	300748010	1	S	MUFFLER
17	638133002	1	/P	THROTTLE CABLE CLIP
18	660734001	1	/P	SCREW-FILTER BOX
19	308281001	1		CARBURETOR KIT (INC. KEY NOS. 4, 8-10 AND 24)
20	308119002	1	/P	PISTON ASSEMBLY KIT
21	308099003	1	/P	SHORT BLOCK ASSEMBLY (INC. KEY NOS. 20, 25)
22	308284001	1	/P	IGNITION KIT (INC. KEY NOS. 1-3)
23	990994001	1		MUFFLER GASKET
24	900994004	1	/P	CARBURETOR GASKET
25	900953001	1	/P	CYLINDER GASKET