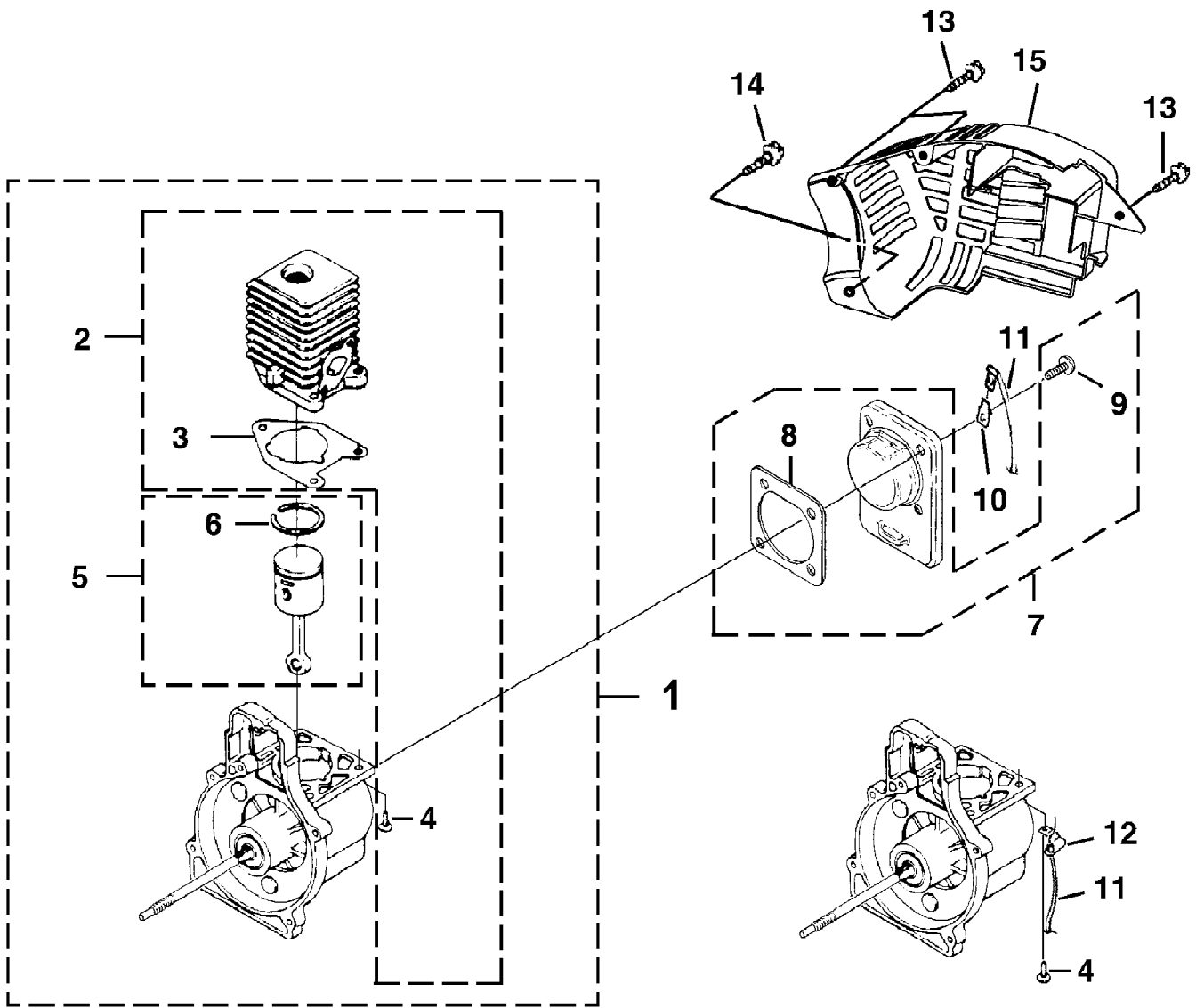


| TORQUE SPECIFICATIONS |        |         |                  |
|-----------------------|--------|---------|------------------|
| Item No.              | In/Lbs | Nm      | Required Loctite |
| 12                    | 30-40  | 3.4-4.5 |                  |
| 14                    | 40-50  | 4.5-5.6 | 262 Red          |

BBV25 Blower UT-08103  
Carburetor And Fuel Tank

Page 2 of 12

| Ref # | Part Number | Qty | S/P/F | Description   |
|-------|-------------|-----|-------|---|
| F     | UP00136A    | 1   | S/P   | FUEL TANK KIT Includes Items 1-8  |
| 1     | AO9116      | 1   |       | FUEL CAP ( 1 5/8" Opening)  |
| 2     | 98792       | 3   | /P    | BUMPER-Rubber   |
| 3     | 0143922     | 1   | /P    | TUBING-Rubber (5.5")  |
| 4     | PSO3380     | 1   |       | FUEL FILTER   |
| 5     | 9477225     | 2   | /P    | TUBING-Rubber (6 1/4")  |
| 6     | 07332       | 1   | S/P   | Fitting, Inlet (small for 2.5mm ID fuel line)                             |
|       | 02067       | 1   | /P    | Fitting, Inlet (large for 3mm ID fuel line)                               |
| 7     | 4283309     | 1   | /P    | INSULATION-Tubing   |
| 8     | 98268       | 1   | S/P   | CLAMP   |
|       | 06443A      | 1   | S/P   | GASKET-Crankcase (Not shown)  |
|       | PS01565     | 4   | /P    | SCREW, Sems (10-24 x .56) (Not Shown)                                     |
| B     | UP00010A    | 1   | /P    | CARBURETOR KIT Includes Items 9-10  |
| 9     | 987661      | 1   | /P    | GASKET-Carburetor Also included with<br>Cylinder Kits                     |
| 10    | UP03943     | 1   | /P    | LEVER-Choke (Walbro WT419,WT469)  |
| B     | UP00652     | 1   | /P    | CARBURETOR KIT Includes Items 9-10;<br>(Back Packer(TM), BP250I, BP25175) |
| 9     | 98766A      | 1   | S/P   | GASKET-Carburetor Also included with<br>Cylinder Kits                     |
| 10    | UP03943     | 1   | /P    | LEVER-Choke (Walbro WT419,WT469)  |
| 11    | 00775A      | 1   | S/P   | GASKET-Heat Dam Also included with<br>Cylinder Kits                       |
| 12    | 04474       | 2   | /P    | CARB. BOLT  |
| 13    | 98768A      | 1   | /P    | HEAT DAM  |
| 14    | 093221      | 2   | S/P   | SCREW, SEMS (10-24 x 1.110)   |

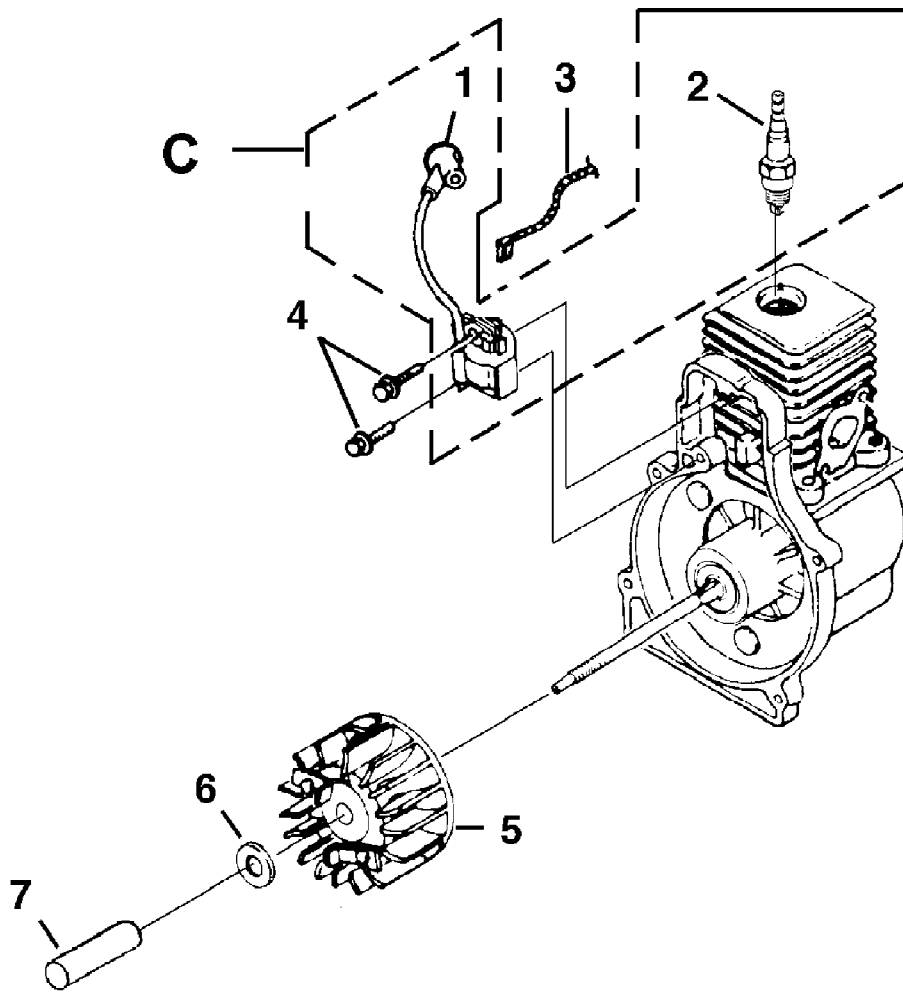


| TORQUE SPECIFICATIONS |        |         |                  |
|-----------------------|--------|---------|------------------|
| Item No.              | In/Lbs | Nm      | Required Loctite |
| 4                     | 55-65  | 6.2-7.3 | 262 Red          |
| 9                     | 55-65  | 6.2-7.3 | 262 Red          |
| 13                    | 8-12   | .9-1.4  |                  |
| 14                    | 20-30  | 2.3-3.4 |                  |

BBV25 Blower UT-08103  
Engine Internal

Page 4 of 12

| Ref # | Part Number | Qty | S/P/F | Description   |
|-------|-------------|-----|-------|---|
| 1     | UP03369A    | 1   | /P    | SHORT BLOCK (25cc) Includes Items 2-9                                 |
| 2     | UP04136A    | 1   | S/P   | 25 CC CYLINDER KIT Includes Items 3-4                                 |
| 3     | 04388B      | 1   | S/P   | GASKET-Cylinder   |
|       | 00394B      | 1   | /P    | GASKET-Muffler (Not Shown)  |
|       | 00775A      | 1   | S/P   | GASKET-Heat Dam (Not Shown)   |
| 4     | PS02807     | 3   | /P    | SCREW, SEMS (12-24 x 3/4)   |
| 5     | 984544001   | 1   | /P    | 25 CC PISTON & ROD Includes Item 6                                    |
| 6     | PS01359     | 1   | S/P   | RING-Piston   |
| 7     | PS02130     | 1   | /P    | CRANKCASE COVER-Stamped Steel<br>Includes items 8-9                   |
| 8     | 06443A      | 1   | S/P   | GASKET-Crankcase Also included with<br>Cylinder Kits.                 |
| 9     | PS01565     | 4   | /P    | SCREW, SEMS (10-24 x .56)   |
| 10    | 02851       | 1   | /P    | TAB-Male  |
| 11    | PA00666     | 1   | S/P   | CABLE-Throttle w/Ignition Leads (Back<br>Packer(TM), BP250I, BP25175) |
| 12    | A01767      | 1   | /P    | CABLE BRACKET (Back Packer(TM),<br>BP250I, BP25175)                   |
| 13    | 82376       | 3   | /P    | SCREW-Thread Form. (#8 X 1/2")  |
| 14    | 82563       | 1   | /P    | SCREW-Thread Form. (#10 X 3/4")                                       |
| 15    | UP06522A    | 1   | /P    | SHROUD  |

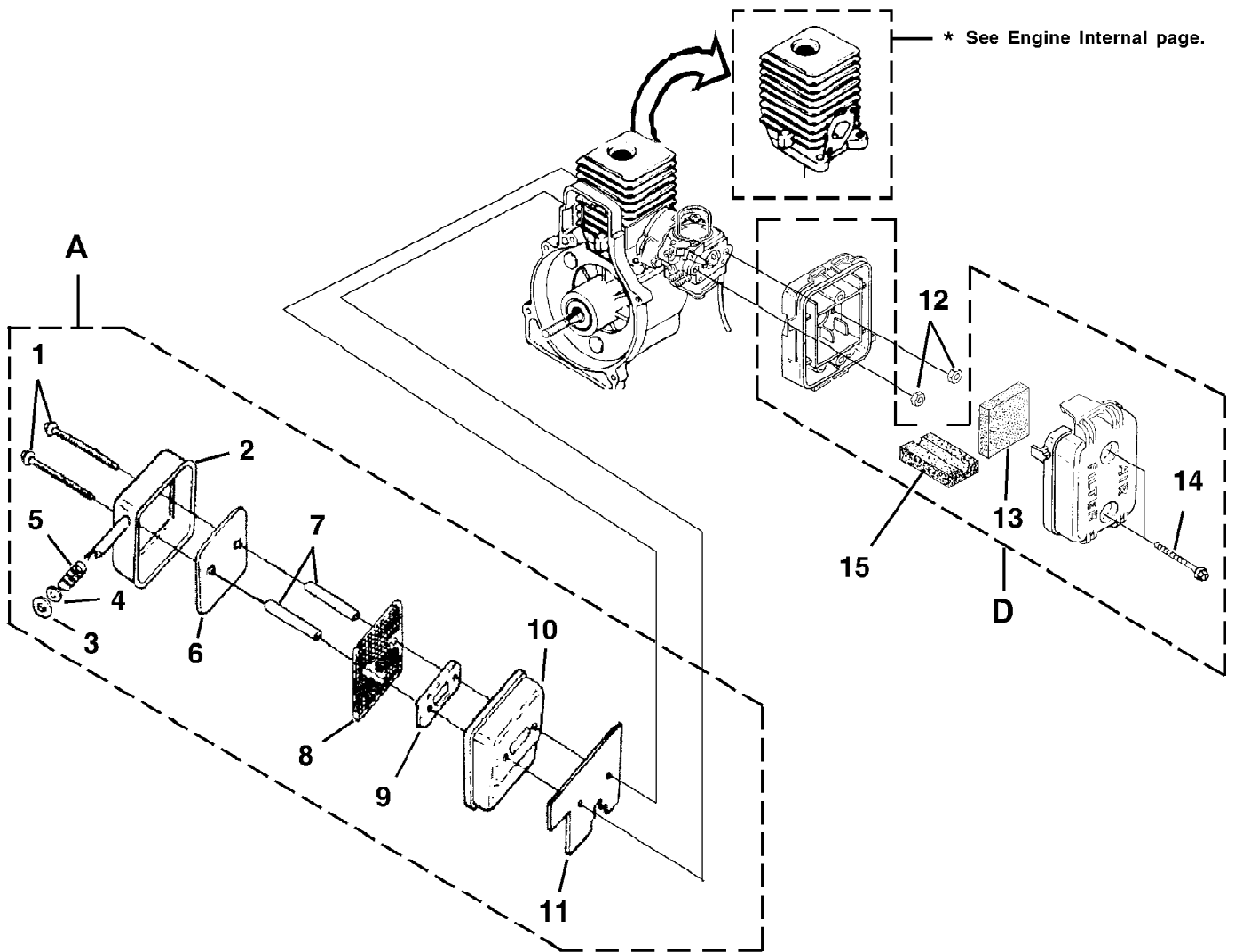


| TORQUE SPECIFICATIONS |         |           |                  |
|-----------------------|---------|-----------|------------------|
| Item No.              | In/Lbs  | Nm        | Required Loctite |
| 2                     | 120-180 | 13.6-20.3 |                  |
| 4                     | 30-40   | 3.4-4.5   | 242 Blue         |

BBV25 Blower UT-08103  
Ignition With Rotor

Page 6 of 12

| Ref # | Part Number | Qty | S/P/F | Description   |
|-------|-------------|-----|-------|---|
| C     | UP06784     | 1   | /P    | IGNITION KIT w/ Module Includes items 1-2                             |
| 1     | UP03868     | 1   | S/P   | TERMINAL-Hi-Tension   |
| 2     | PSO2227     | 1   |       | SPARK PLUG (RDJ-7Y)   |
| 3     | PA00666     | 1   | S/P   | CABLE-Throttle w/Ignition Leads (Back<br>Packer(TM), BP250I, BP25175) |
| 4     | 82540       | 2   | /P    | SCREW-Thread Form. (8-32 x 1")  |
| 5     | 984531001   | 1   | S/P   | ROTOR & STARTER PAWLS   |
| 6     | 95479A      | 1   | /P    | WASHER-Flat   |
| 7     | PSO3566     | 1   |       | SPACER-Fan  |



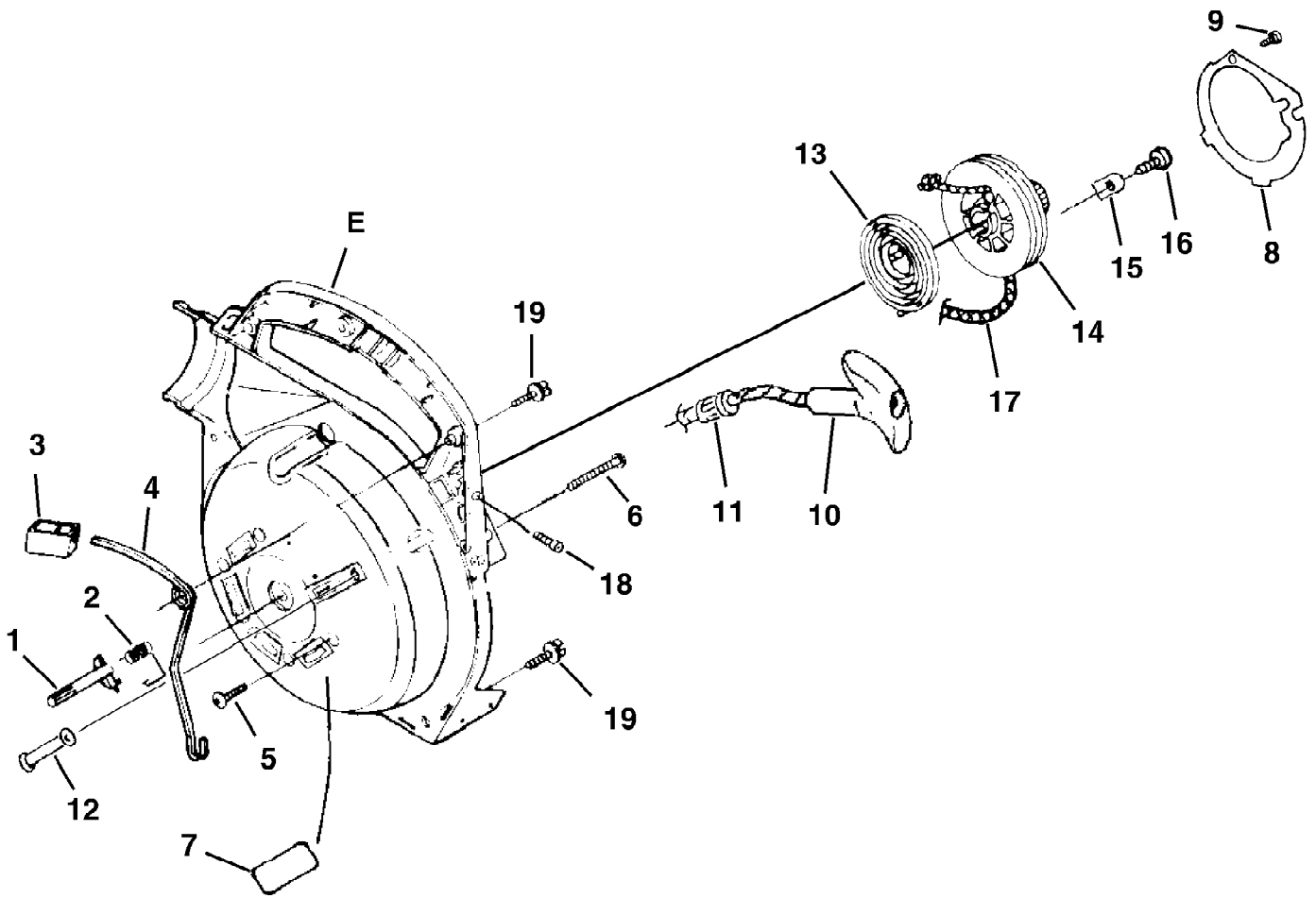
| TORQUE SPECIFICATIONS |        |         |                  |
|-----------------------|--------|---------|------------------|
| Item No.              | In/Lbs | Nm      | Required Loctite |
| 1                     | 40-50  | 4.5-5.6 |                  |
| 12                    | 30-40  | 3.4-4.5 |                  |
| 14                    | 30-40  | 3.4-4.5 |                  |

BBV25 Blower UT-08103  
Muffler And Air Cleaner

Page 8 of 12

| Ref # | Part Number | Qty | S/P/F | Description  |
|-------|-------------|-----|-------|--|
| A     | PA01181     | 1   | /P    | MUFFLER-Complete Includes Items 1-11                           |
| 1     | 88060       | 2   | S/P   | SCREW-Sems Hex Hd. (10-24 x 2 1/2")                            |
| 2     | A00366      | 1   | /P    | MUFFLER COVER  |
| 3     | 00381       | 1   | /P    | WASHER-Insulating  |
| 4     | 84117       | 1   | /P    | WASHER-Flat  |
| 5     | 00387       | 1   | /P    | SPRING-Compression   |
| 6     | 00777       | 1   | /P    | DEFLECTOR-Muffler  |
| 7     | 04785       | 2   | /P    | SPACER-Muffler   |
| 8     | 00388B      | 1   | /P    | SCREEN-Spark Arrestor  |
| 9     | 98783       | 1   | /P    | PLATE-Reinforcing  |
| 10    | 98781       | 1   | S/P   | BODY-Muffler   |
| 11    | 00394B      | 1   | /P    | GASKET-Muffler Also included with Short block & Cylinder Kits. |
| 12    | 81208       | 2   | /P    | NUT-Hex (10-24)  |
| D     | UP00011     | 1   | /P    | AIR FILTER KIT Includes items 13-14                            |
| 13    | 98760       | 1   | /P    | AIR FILTER   |
| 14    | 093221      | 2   | S/P   | SCREW-Thd. Form. (#8-16 x 3/4")                                |
| 15    | 04857       | 1   |       | FOAM AIR FILTER Not Used on UT08111 and UT08111A               |



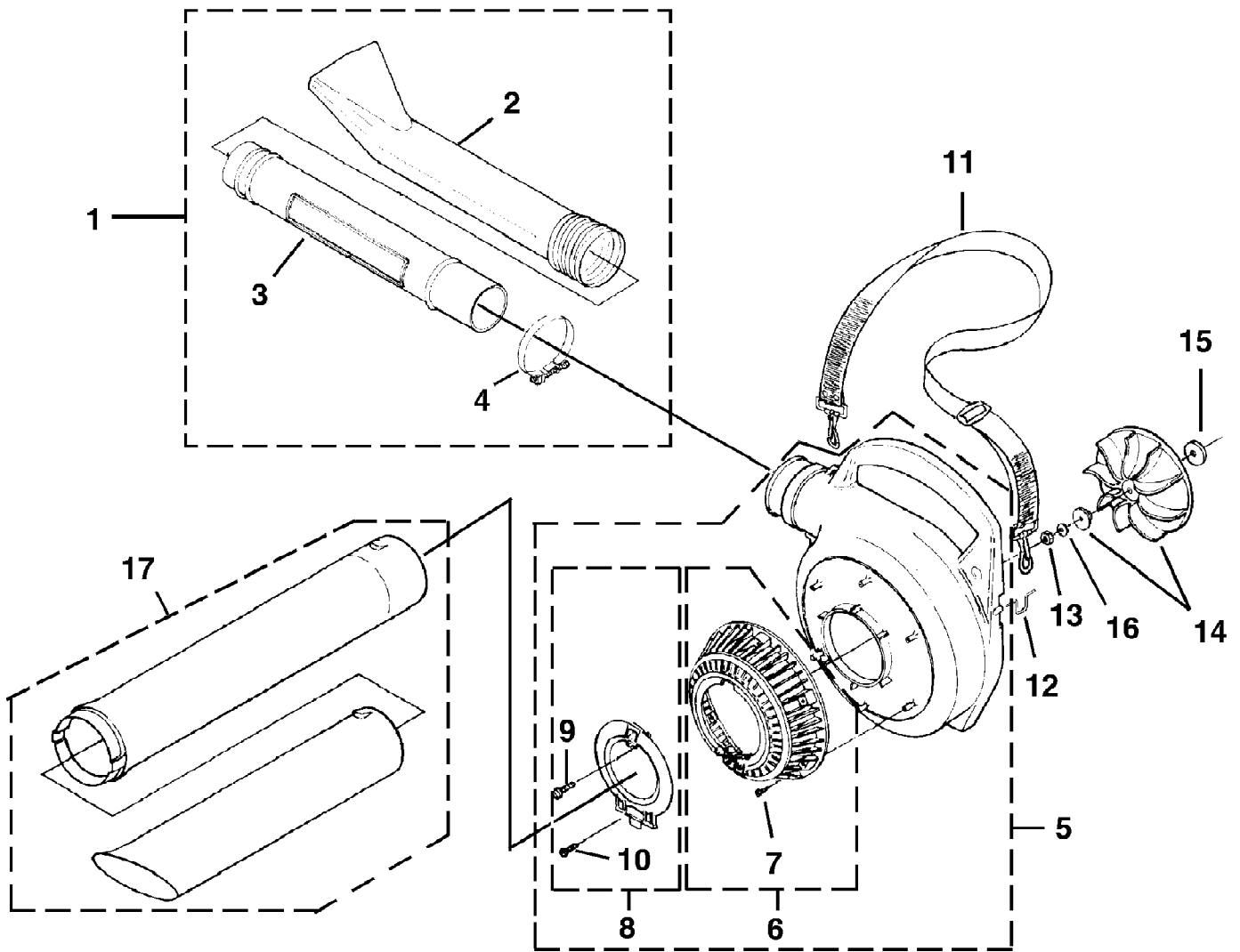


| TORQUE SPECIFICATIONS |        |         |                  |
|-----------------------|--------|---------|------------------|
| Item No.              | In/Lbs | Nm      | Required Loctite |
| 5                     | 55-60  | 6.2-6.8 |                  |
| 6                     | 20-30  | 2.3-3.4 |                  |
| 9                     | 8-12   | .9-1.4  |                  |
| 16                    | 30-40  | 3.4-4.5 |                  |
| 18                    | 20-30  | 2.3-3.4 |                  |
| 19                    | 20-30  | 2.3-3.4 |                  |

BBV25 Blower UT-08103  
Starter

Page 10 of 12

| Ref # | Part Number | Qty | S/P/F | Description  |
|-------|-------------|-----|-------|--|
| 1     | 00368A      | 1   | /P    | LATCH-Throttle Not Used on UT08111 and UT08111A                |
| 2     | 00370       | 1   | S/P   | SPRING-Throttle Latch Not Used on UT08111 and UT08111A         |
| 3     | 00367       | 1   | /P    | TRIGGER-Throttle Not Used on UT08111 and UT08111A              |
| 4     | 00369A      | 1   | /P    | LEVER-Throttle Not Used on UT08111 and UT08111A                |
| 5     | 82538       | 4   | /P    | SCREW-Thread Form. (10-24 X 3/4")                              |
| 6     | JA416903    | 1   | /P    | SCREW-Thread Form. (#10 X 1 5/8")                              |
| E     | UP06792A    | 1   | /P    | VOLUTE HOUSING & STARTER Includes items 7-17                   |
| 7     | UP03822A    | 1   | /P    | KIT-Sealing Not Used on UT08111 and UT08111A                   |
| 8     | 00374       | 1   | /P    | PLATE-Rotor  |
| 9     | 82528       | 1   | /P    | SCREW-Thread Form. (#6 X 1 3/8")                               |
| 10    | 5946702     | 1   | S/P   | GRIP-Starter (Yellow) Not Used on UT08111 and UT08111A         |
|       | PSO1200     | 1   |       | GRIP-Starter (Yellow)  |
| 11    | 969811A     | 1   | /P    | BUSHING-Starter  |
| 12    | 00364B      | 1   | S/P   | GUIDE-Starter Rope   |
| 13    | A98773A     | 1   | S/P   | SPRING & CONTAINER   |
| 14    | 98770A      | 1   | /P    | PULLEY-Starter   |
| 15    | 98791       | 2   | /P    | BRACKET-Retaining  |
| 16    | 82541       | 2   | /P    | SCREW-Thread Form. (#10 X 1/2")                                |
| 17    | 9789901     | 1   | /P    | ROPE-Starter   |
| 18    | PS82146     | 1   | S/P   | SCREW-Phil. Hd. (8-32 X 5/8") Not Used on UT08111 and UT08111A |
| 19    | 82563       | 5   | /P    | SCREW-Thread Form. (10-24 X 3/4")                              |



| TORQUE SPECIFICATIONS |         |           |                  |
|-----------------------|---------|-----------|------------------|
| Item No.              | In/Lbs  | Nm        | Required Loctite |
| 7                     | 8-12    | .9-1.4    |                  |
| 9                     | 10-20   | 1.1-2.3   |                  |
| 10                    | 8-12    | .9-1.4    |                  |
| 13                    | 130-150 | 14.7-16.9 |                  |

BBV25 Blower UT-08103  
Volute, Fan & Tubes

Page 12 of 12

| Ref # | Part Number | Qty | S/P/F | Description                            |
|-------|-------------|-----|-------|--|
| 1     | UP06741A    | 1   | /P    | BLOWER TUBE KIT Includes Items 2-4     |
| 2     | 00373A      | 1   | S/P   | NOZZLE-Sweeper                         |
| 3     | 00372B      | 1   | /P    | TUBE                                   |
| 4     | 00433B      | 1   | S/P   | CLAMP w/Fasteners                      |
| 5     | 984918001   | 1   | /P    | VOLUTE HOUSING KIT Includes Items 6-10 |
| 6     | UP06720A    | 1   | /P    | BLOWER VAC GRILLE KIT Includes Item 7  |
| 7     | 82528       | 6   | /P    | SCREW-Thread Form. (#6 X 3/8")         |
| 8     | 984910001   | 1   | /P    | ACCESS DOOR KIT Includes Items 9-10    |
| 9     | 82312       | 1   | /P    | SCREW-Thread Rolling (#10 X 5/8")      |
| 10    | 82376       | 1   | /P    | SCREW-Thread Form. (#8 X 1/2")         |
| 11    | 96337C      | 1   | /P    | SHOULDER STRAP                         |
| 12    | 00398       | 1   | /P    | WIRE LOOP                              |
| 13    | 81124A      | 1   | /P    | NUT-Hex (3/8-24)                       |
| 14    | UP06826A    | 1   | S/P   | BLOWER FAN KIT                         |
| 15    | 03165       | 2   | S/P   | WASHER-Flat                            |
| 16    | 03163       | 1   | /P    | WASHER-Bellville (3/8")                |
| 17    | UP06705A    | 1   | /P    | VACUUM TUBE KIT (Vacuum units only)    |