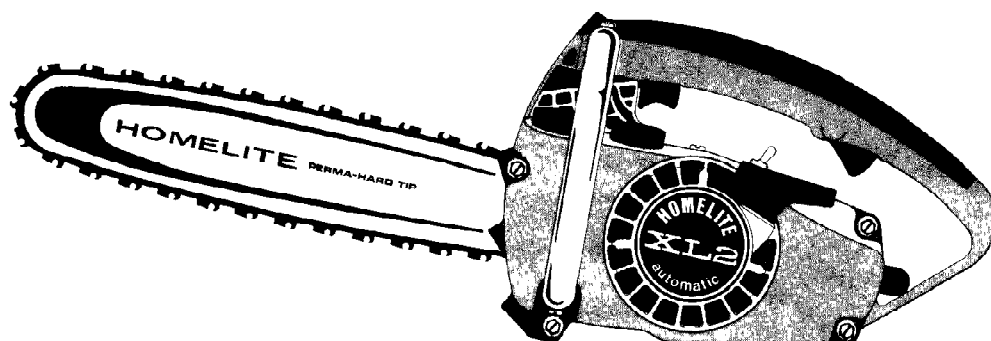


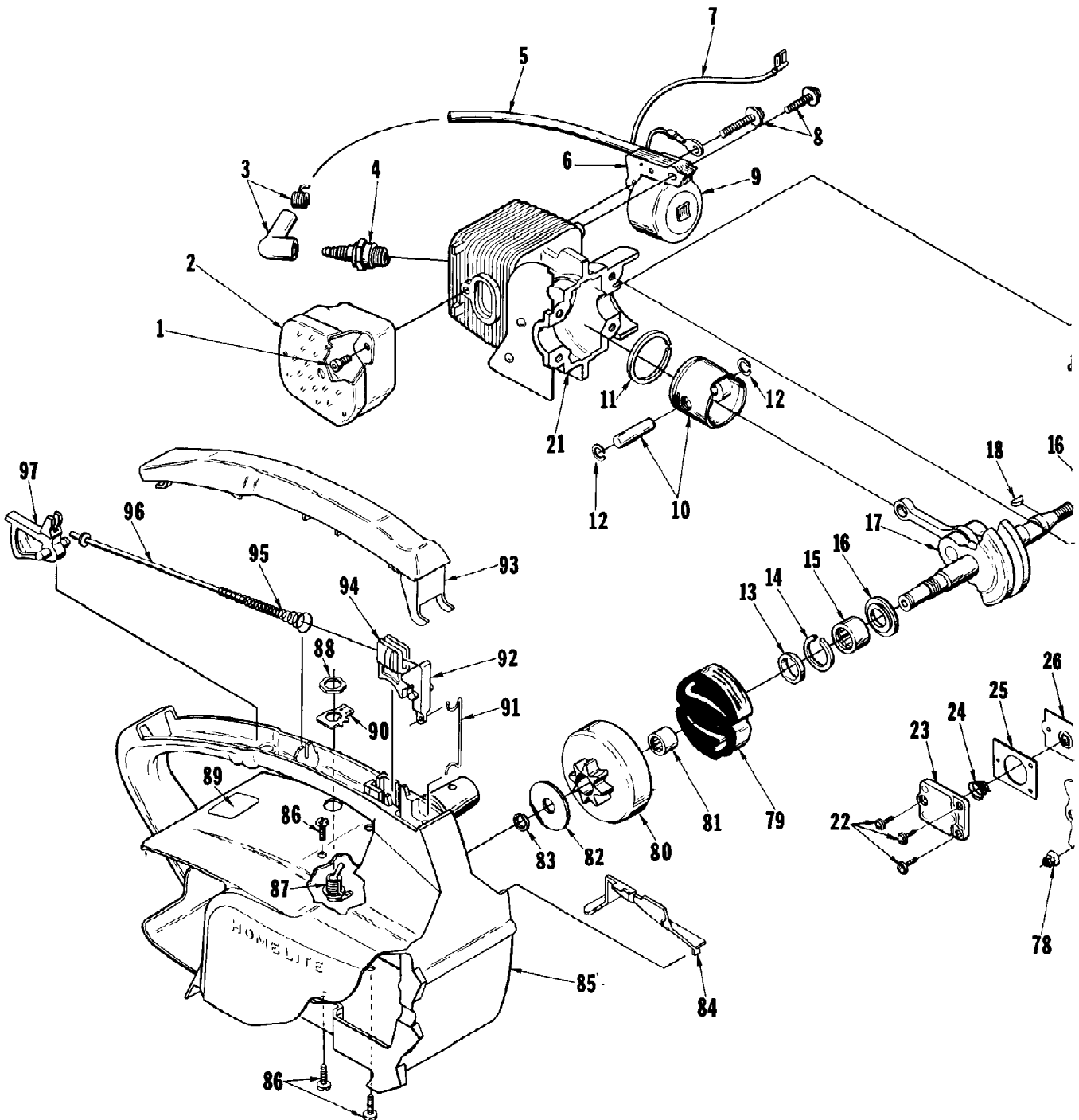
# PARTS LIST

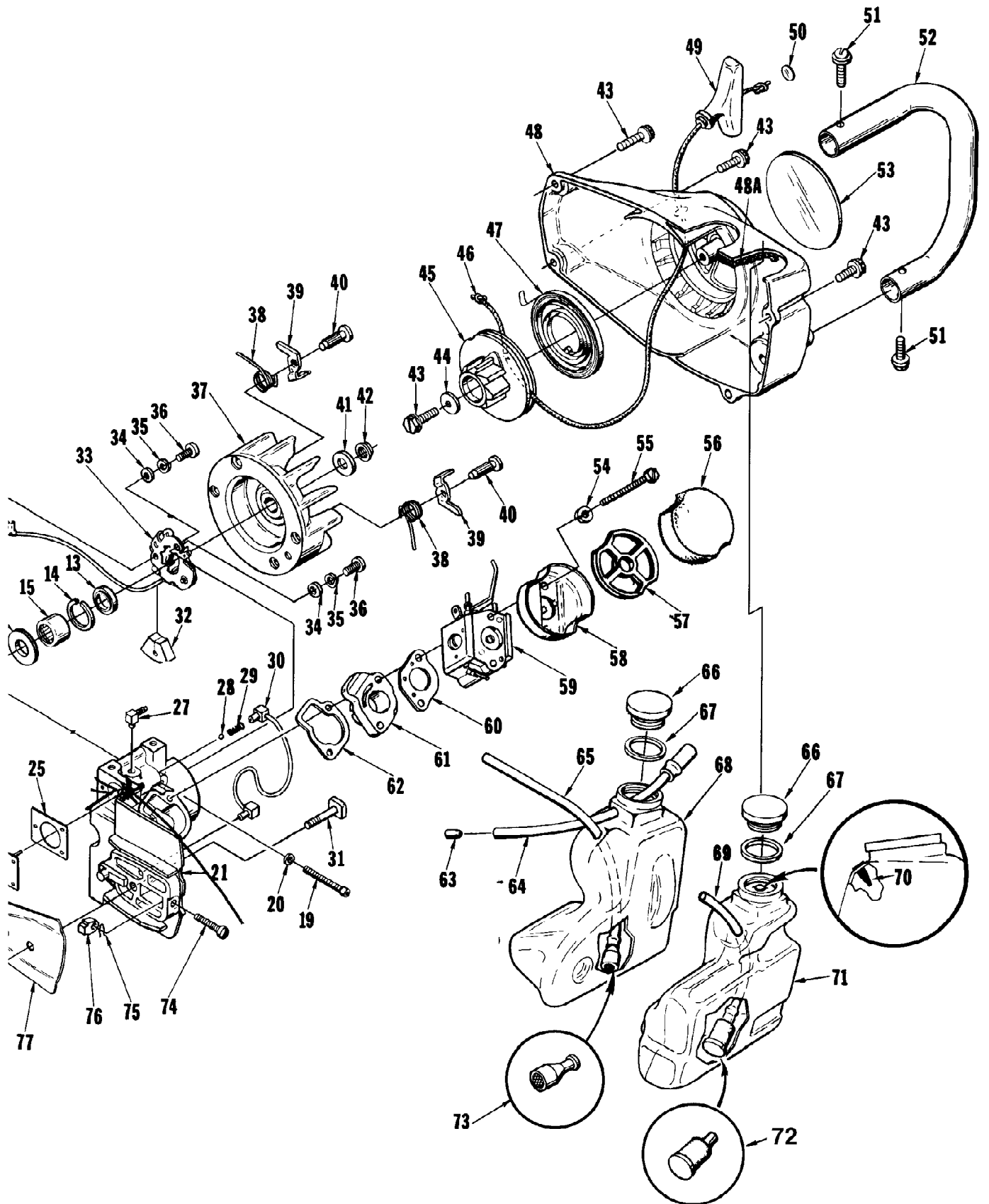


# HOMELITE<sup>®</sup>

## XL2 AUTOMATIC CHAIN SAW

# XL2 AUTOMATIC





# XL2 AUTOMATIC

No.	Description	Part No.	Qty.	No.	Description	Part No.	Qty.
* 1	SCREW-soc. hd., 10-24 x 1/2	82245	1	*48	HOUSING-rewind starter	A-69540	1
* 2	MUFFLER	A-69253-1	1		Includes:		
3	TERMINAL-spark plug	A-33055	1	*48A	FILTER-fuel tank valve	69443	1
4	SPARK PLUG-Champion DJ-7J	68616-S	1	*49	GRIP-starter rope	69157	1
* 5	LEAD-high tension	69326	1	*50	PLUG	69400	1
* 6	CORE-coil	69324	1	51	SCREW-pan washer hd., 10-32 x 5/8	80572	2
* 7	LEAD-stop switch	69321	1	*52	HANDLE BAR	69133-1	1
8	SCREW-fil hd. w/flat washer, 8-32 x 3/4	64021	2	*53	DECAL	69346	1
* 9	COIL	69323	1	54	WASHER-lock, #10	83006-1	2
*	RETAINER-coil (not shown)	69325	1	55	SCREW-hex hd., 10-32 x 2-1/4	80481	2
*	SHORT BLOCK	A-69394	1	*56	FILTER-air	69141	1
	Includes:			*57	RETAINER-filter	69457	1
*10	PISTON & PIN	A-69398	1	*58	CUP-filter	69148	1
	Includes:			*59	CARBURETOR-IDC-15	A-69319	1
*11	PISTON RING	69312	1	60	GASKET-carburetor	65016	1
*12	RING-piston pin retaining	65261	2	*61	MANIFOLD-intake	A-69373	1
13	SEAL	68519	2	*62	GASKET-intake manifold	69143	1
*14	SPACER-seal	69407	2	*63	FILTER-oil	69518	1
*15	BEARING-needle	12530	2	*64	LINE-pressure	A-69383	1
*16	WASHER-thrust	69093	2	*65	LINE-oil	69345	1
*17	CRANKSHAFT	A-69132	1	*66	CAP-tanks (fuel & oil)	A-69277 #	2
*18	KEY-magneto	69250	1	*67	Includes: GASKET	69384	1
*19	SCREW-soc. cap, 8-32 x 1-1/8	82244	4	*68	TANK-oil	69280	1
20	WASHER-#8 flat	84101	4	*69	LINE-fuel	69344	1
*21	CYLINDER & CRANKCASE	A-69421	1	70	VALVE-check (fuel tank)	63718	1
	Includes:			*71	TANK-fuel	69281	1
22	SCREW-pan hd., 6-32 x 3/8	80571	3	*72	FILTER-fuel pickup (sintered bronze)	69513	1
*23	COVER-oil pump	69224-1	1	73	FILTER-oil	A-68593	1
*24	SPRING-oil pump	69447	1	*74	SCREW-adjusting fil hd., 8-32 x 7/8	82250	1
*25	GASKET-oil pump	69244	2	*75	CLIP-hair pin	69418	1
*26	PLUNGER-oil pump	A-69242	1	*76	PIN-adjusting	69254-1	1
*27	FITTING-oil line	69295	1	*77	PLATE-guide bar	69246	1
28	BALL-1/8" steel	60051	1	*78	NUT-guide bar <i>81065-2 3/8 69309-1</i>	81228	1
29	SPRING-check valve	68570	1	*79	CLUTCH-"S"	69070-1	1
*30	LINE-oil	A-69314	1	*80	DRUM & SPROCKET-.250 pitch, 9 tooth	A-69327	1
*31	BOLT-guide bar	69195	1	*81	Includes: BEARING-needle	69318	1
*32	SEAL-lead	69247	1	*82	WASHER-thrust (clutch)	69138	1
*33	POINT SET-breaker	A-69336	1	*83	RING-retaining (clutch)	69226	1
34	WASHER-flat	84025-1	2	*84	COVER-air filter	69263	1
35	WASHER-lock	83002	2	*85	HOUSING-engine <i>A69882</i>	<del>68926-2</del>	1
*36	SCREW-point set	82241	2	86	SCREW-pan hd., 10-24 x 1/2	82216	4
*37	ROTOR-magneto	69282	1	87	SWITCH-stop (grounding)	A-69338	1
*38	SPRING-starter pawl	69139	2	88	Includes: NUT-hex	72084-A1	1
*39	PAWL-starter	69095	2	*89	DECAL-instructions	69347-1	1
*40	PIN-starter pawl	69137	2	90	PLATE-"On-Off"	63910	1
*41	WASHER-flat	69145	1	*91	ROD-throttle (front)	69255	1
*42	NUT-rotor, 5/16-24	81229	1	*92	LEVER-throttle	69107	1
43	SCREW-hex washer hd., 10-32 x 5/8	80704	5	*93	COVER-handle	69140	1
*44	WASHER-flat	69144	1	*94	TRIGGER-front	69105	1
*45	PULLEY-starter	69158	1	*95	SPRING-throttle rod	69249	1
*46	ROPE-starter #1, 30' long	69311	1	*96	ROD-throttle	A-69136	1
*47	SPRING-rewind	69217	1	*97	TRIGGER-rear	69106	1

Tools

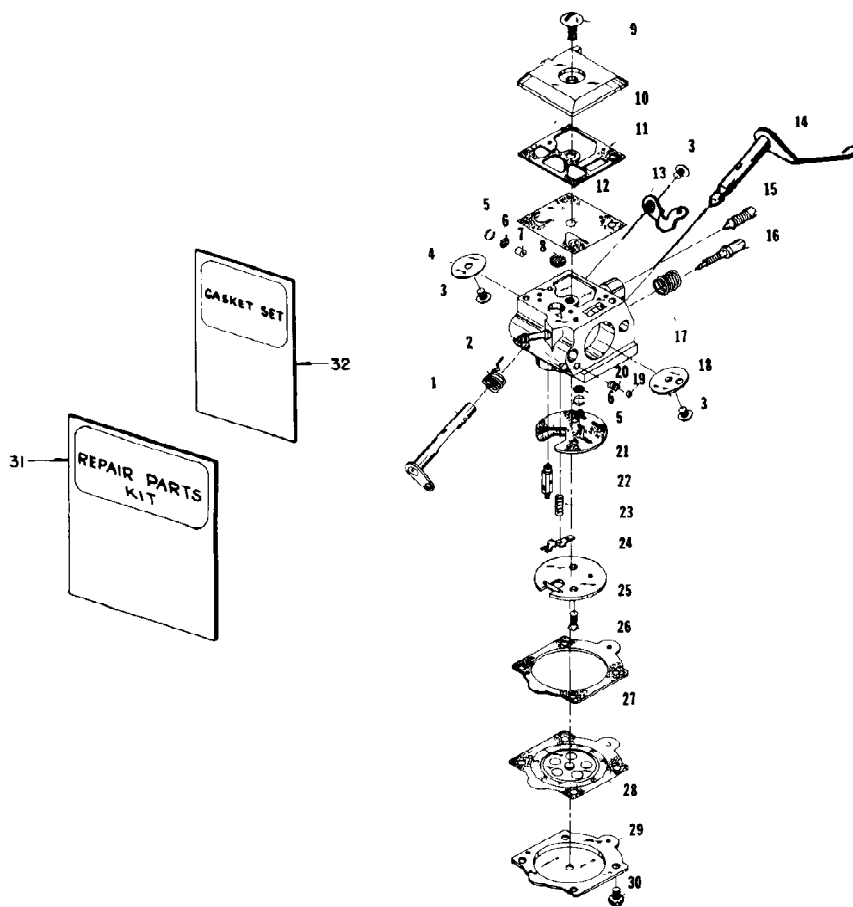
A-23696-A	WRENCH-spanner (clutch)
23717-A	Includes: PIN-clutch spanner
*A-24747	PULLER-rotor
80288	Includes: BOLT-5/16-18 x 1-3/4
22126	WRENCH-hex soc., 5/32 for 10-24 screws
23528	WRENCH-hex soc., 9/64 for 8-32 screws

Accessory

68848	REEL-250' (starting rope) #4
-------	------------------------------

\* Denotes new parts

# XL2 AUTOMATIC



A-69319

HDC-15

No.	Description	Part No.	Qty.
* 1	SHAFT-throttle	69252	1
* 2	SPRING-throttle return	† 69430	1
3	SCREW-valve	† 67372	3
4	VALVE-throttle	67363	1
5	RING-screen retaining	† 67360	2
6	SCREEN-check valve	† 67381	2
* 7	JET-limiting	69432	1
8	SCREEN-fuel inlet	† 64243	1
9	SCREW-fuel pump cover	67374	1
10	COVER-fuel pump	67361	1
11	GASKET-fuel pump	‡ 67368	1
12	DIAPHRAGM-fuel pump	† 67370	1
* 13	STOP-throttle	69519	1
* 14	SHAFT-choke	69251	1
15	SCREW-idle adjustment	67373	1
* 16	NEEDLE-idle adjustment	† 69431	1
17	SPRING-needle adjusting	† 67377	1

\* Denotes new parts

No.	Description	Part No.	Qty.
* 18	VALVE-choke	69428	1
19	BALL-choke friction	† 60051	1
20	SPRING-choke friction	† 64238	1
21	GASKET-circuit	‡ 67367	1
22	VALVE-inlet needle	† 64229	1
23	SPRING-metering lever	† 67378	1
24	LEVER-metering	† 67383	1
* 25	PLATE-circuit	69433	1
26	SCREW-circuit plate	67375	2
27	GASKET-metering diaphragm	‡ 64231	1
28	DIAPHRAGM-metering	† 67371	1
29	COVER-metering diaphragm	64224	1
30	SCREW-metering cover	64689	4
* 31	REPAIR KIT	69434	1
32	GASKET SET	† 67369	1
	REPAIR KIT-check valve	65386	1

† Indicates contents of Repair Kit #69434

‡ Indicates contents of Gasket Set #67369

# XL2 AUTOMATIC

Part No.	Description	Qty.	Part No.	Description	Qty.
*12530	Bearing-needle	2	*69247	Seal-lead	1
22126	Wrench-hcx soc.	1	*69249	Spring-throttle rod	1
23528	Wrench-hex soc.	1	*69250	Key-magneto	1
A-23696-A	Wrench-spanner (clutch)	1	*69251	Shaft-choke	1
23717-A	Pin-clutch spanner	1	*69252	Shaft-throttle	1
*A-24747	Puller-rotor	1	*A-69253-1	Muffler	1
A-33055	Terminal-spark plug	1	*69254-1	Pin-adjusting	1
60051	Ball-choke friction	2	*69255	Rod-throttle (front)	1
63718	Valve-check (fuel tank)	1	*69263	Cover-air filter	1
63910	Plate-"on-off"	1	*A-69277	Cap-tanks (fuel & oil)	2
A-63938	Switch-stop (grounding)	1	*69280	Tank-oil	1
64021	Screw-fil hd. w/flat washer	2	*69281	Tank-fuel	1
64224	Cover-metering diaphragm	1	*69282	Rotor-magneto	1
64229	Valve-inlet needle	1	*69295	Fitting-oil line	1
64231	Gasket-metering diaphragm	1	*69311	Rope-starter #4, 30" long	1
64238	Spring-choke friction	1	*69312	Piston Ring	1
64243	Screen-fuel inlet	1	*A-69314	Line-oil	1
64689	Screw-metering cover	4	*69318	Bearing-needle	1
65016	Gasket-carburetor	1	*A-69319	Carburetor-HDC-15	1
65386	Repair Kit-check valve	1	*69321	Lead-stop switch	1
67360	Ring-screen retaining	2	*69323	Coil	1
67361	Cover-fuel pump	1	*69324	Core-coil	1
67363	Valve-throttle	1	*69325	Retainer-coil	1
67367	Gasket-circuit	1	*69326	Lead-high tension	1
67368	Gasket-fuel pump	1	*A-69327	Drum & Sprocket	1
67369	Gasket Set	1	*A-69336	Point Set-breaker	1
67370	Diaphragm-fuel pump	1	*69344	Line-fuel	1
67371	Diaphragm-metering	1	*69345	Lanc-oil	1
67372	Screw-valve	3	*69346	Decal	1
67373	Screw-idle adjustment	1	*69347-1	Decal-instruction	1
67374	Screw-fuel pump cover	1	*A-69373	Manifold-intake	1
67375	Screw-circuit plate	2	*A-69383	Line-pressure	1
67377	Spring-needle adjusting	1	*69384	Gasket	2
67378	Spring-metering lever	1	*A-69393	Piston & Pin	1
67381	Screen-check valve	2	*A-69394	Short Block	1
67383	Lever-metering	1	*69400	Plug	1
68519	Seal	2	*69407	Spacer-seal	2
68570	Spring-check valve	1	*69418	Clip-hair pin	1
A-68593	Filter-oil	1	*A-69421	Cylinder & Crankcase	1
68616-S	Spark Plug-Champion DJ-7J	1	*69428	Valvc-choke	1
68848	Reel-250' starting rope #4	1	*69430	Spring-throttle return	1
*68925-2	Housing-engine	1	*69431	Needle-idle adjustment	1
*69070-1	Clutch- "S"	1	*69432	Jet-limiting	1
*69093	Washer-thrust	2	*69433	Plate-circuit	1
*69095	Pawl-starter	2	*69434	Repair Kit	1
*69105	Trigger-front	1	*69443	Filter-fuel tank valve	1
*69106	Trigger-rear	1	*69447	Spring-oil pump	1
*69107	Lever-throttle	1	*69457	Retainer-filter	1
*A-69132	Crankshaft	1	*69513	Filter-fuel pick-up	1
*69133-1	Handle Bar	1	*69518	Filter-oil	1
*A-69136	Rod-throttle	1	*69519	Stop-throttle	1
*69137	Pin-starter pawl	2	*A-69540	Housing-rewind starter	1
*69138	Washer-thrust (clutch)	1	72094-A1	Nut-hex	1
*69139	Spring-starter pawl	2	FASTENING PARTS		
*69140	Cover-handle	1	80288	Bolt-5/16-18 x 1-3/4	1
*69141	Filter-air	1	80481	10-32 x 2-1/4	2
*69143	Gasket-intake manifold	1	80571	6-32 x 3/8	3
*69144	Washer-flat	1	80572	10-32 x 5/8	2
*69145	Washer-flat	1	*81228	Nut-guide bar	1
*69148	Cup-filter	1	*81229	Nut-rotor, 5/16-24	1
*69157	Grip-starter rope	1	82216	10-24 x 1/2	4
*69158	Pulley-starter	1	82220	10-32 x 3/4	5
*69195	Bolt-guide bar	1	*82241	Screw-point set	2
*69217	Spring-rewind	1	*82244	8-32 x 1-1/8	4
*69224-1	Cover-oil pump	1	*82245	10-24 x 1/2	1
*69225	Ring-piston pin retaining	2	*82250	8-32 x 7/8	1
*69226	Ring-retaining (clutch)	1	83002	Washer-flat	2
*A-69242	Plunger-oil pump	1	83006-1	Washer-lock, #10	2
*69244	Gasket-oil pump	2	84025-1	Washer-flat	2
*69246	Plate-guide bar	1	84101	Washer-flat, #8	4

\* Denotes new parts



A Textron DIVISION, PORT CHESTER, N.Y. 13027

E127915Z