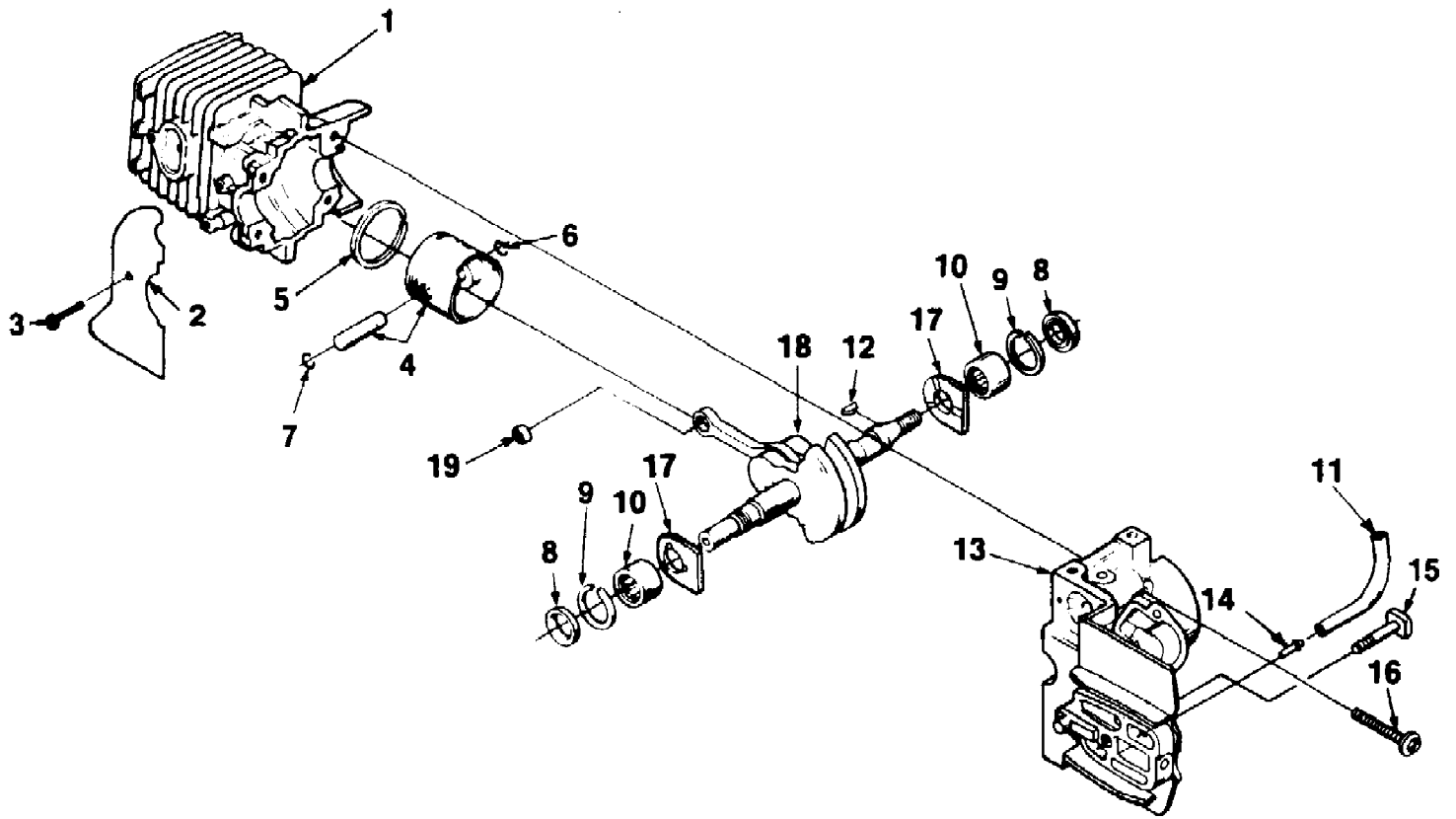


XL Chain Saw UT-10694  
Carburetor

Page 2 of 10

| Ref # | Part Number | Qty | S/P/F | Description          |
|-------|-------------|-----|-------|----------------------|
| 1     | A03905      | 1   | /P    | Repair Kit           |
|       | 02773       | 1   |       | Oil Pump Plunger Kit |
| 2     | A03905      | 1   | /P    | Repair Kit           |
|       | 02773       | 1   |       | Oil Pump Plunger Kit |
| 3     | A03905      | 1   | /P    | Repair Kit           |
|       | A03904      | 1   | /P    | Gasket/Diaphragm Kit |
| 4     | A03905      | 1   | /P    | Repair Kit           |
|       | A03904      | 1   | /P    | Gasket/Diaphragm Kit |
| 5     | A03905      | 1   | /P    | Repair Kit           |
|       | A03904      | 1   | /P    | Gasket/Diaphragm Kit |
| 6     | A03905      | 1   | /P    | Repair Kit           |
|       | A03904      | 1   | /P    | Gasket/Diaphragm Kit |
| 7     | A03905      | 1   | /P    | Repair Kit           |
| 8     | A03905      | 1   | /P    | Repair Kit           |
| 9     | A03905      | 1   | /P    | Repair Kit           |
| 10    | A03905      | 1   | /P    | Repair Kit           |
| 11    | A03905      | 1   | /P    | Repair Kit           |
| 12    | A03905      | 1   | /P    | Repair Kit           |
| 13    | A03905      | 1   | /P    | Repair Kit           |
| 14    | A03905      | 1   | /P    | Repair Kit           |
| 15    | A03905      | 1   | /P    | Repair Kit           |
| 16    | A03905      | 1   | /P    | Repair Kit           |
| 17    | A03905      | 1   | /P    | Repair Kit           |
| 18    | A03905      | 1   | /P    | Repair Kit           |
| 19    | A03905      | 1   | /P    | Repair Kit           |
| 20    | A03905      | 1   | /P    | Repair Kit           |
| 21    | A03905      | 1   | /P    | Repair Kit           |
| 22    | A03905      | 1   | /P    | Repair Kit           |
| 23    | A03905      | 1   | /P    | Repair Kit           |
| 24    | 02770       | 1   |       | Oil Pump Body        |

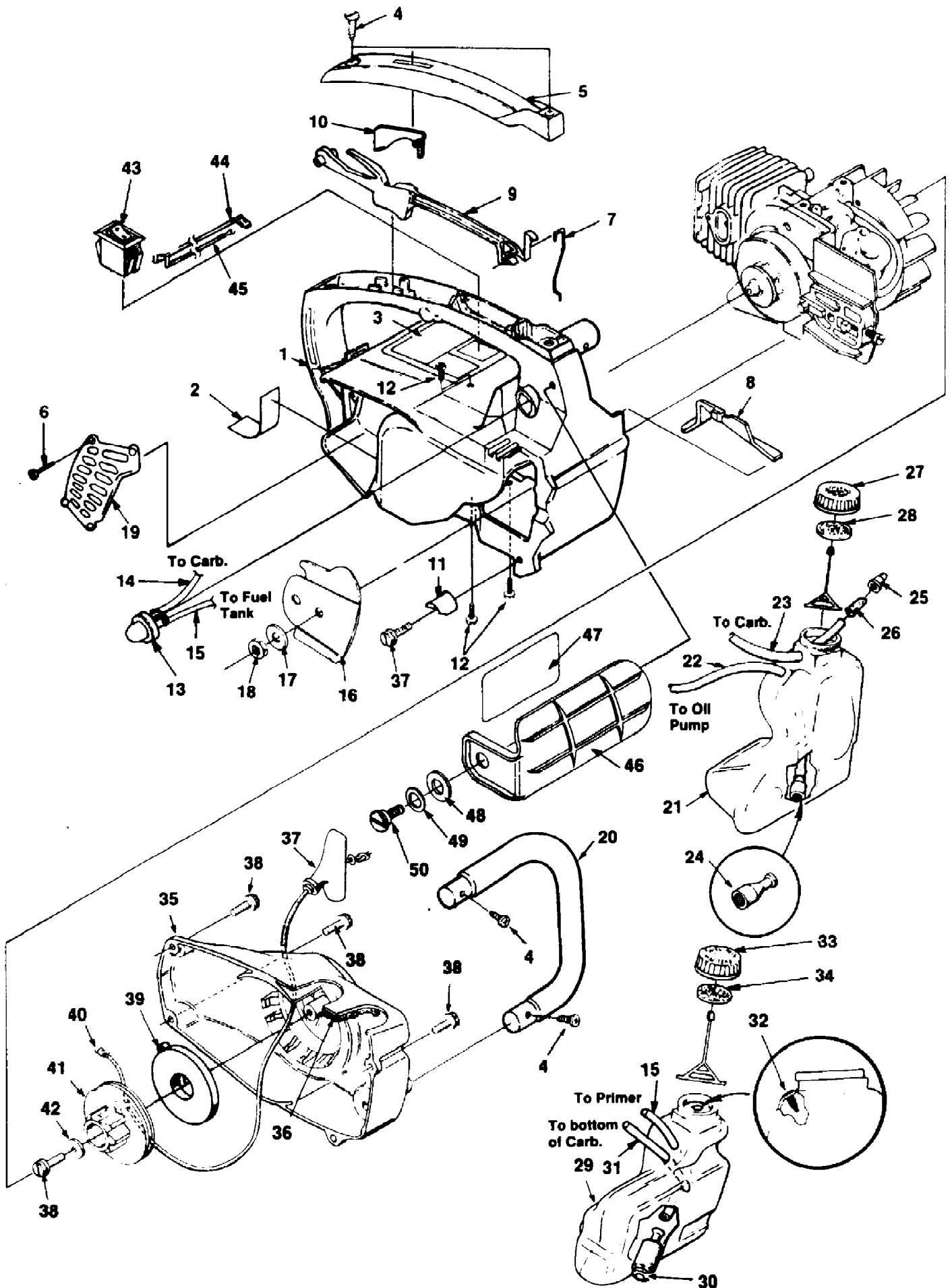
XL Chain Saw UT-10694  
Engine Internals



XL Chain Saw UT-10694  
Engine Internals

Page 4 of 10

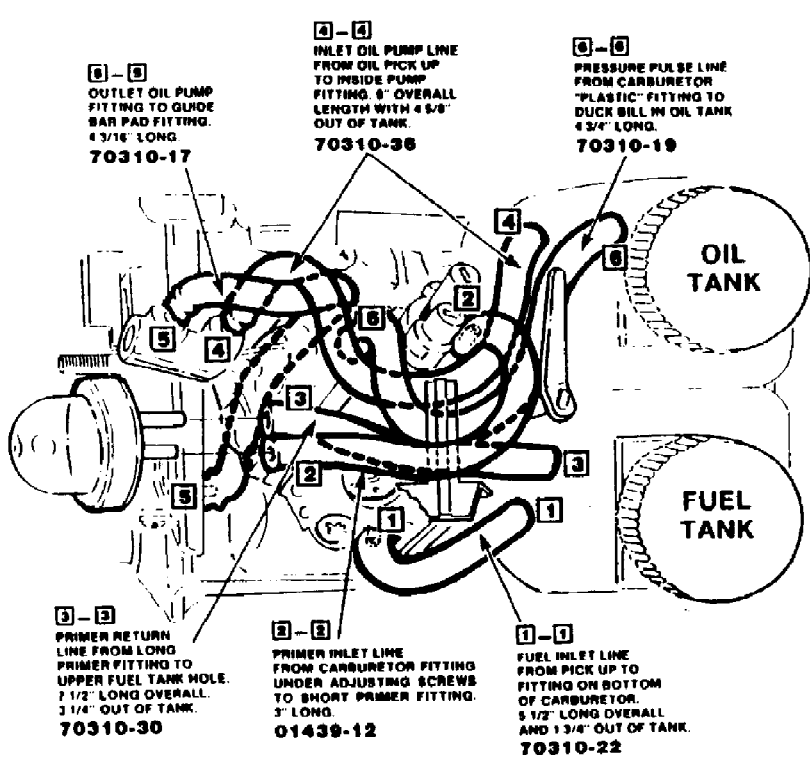
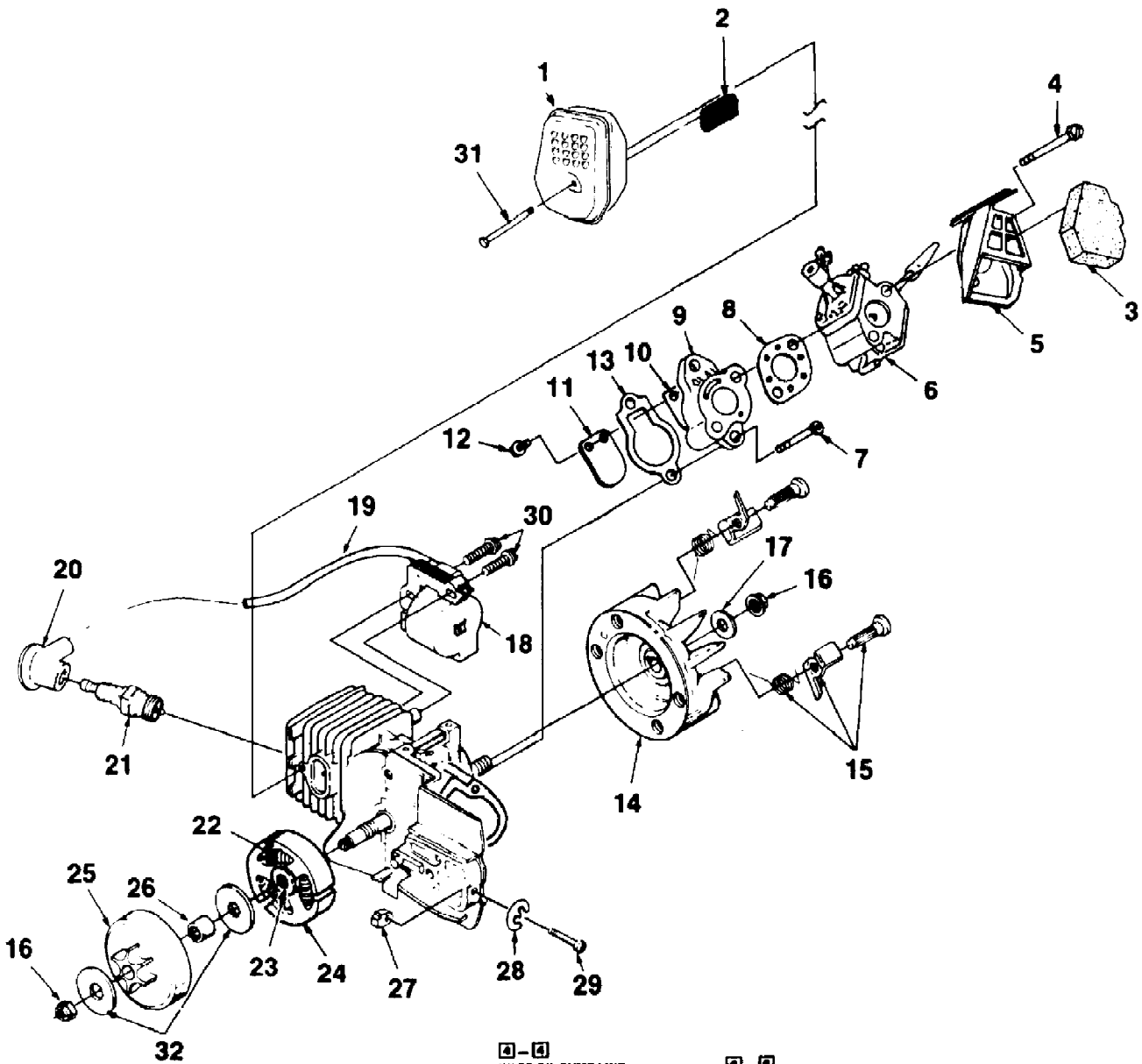
| Ref # | Part Number | Qty | S/P/F | Description                          |
|-------|-------------|-----|-------|--------------------------------------|
| 1     | 024852      | 1   | S     | CYLINDER (Super 2 Only)              |
|       | 04328       | 1   | S     | CYLINDER (XL Only)                   |
| 2     | 02639       | 1   | /P    | SHIELD- Sawdust                      |
| 3     | 93932       | 1   |       | SCREW- Tapping (#6-32 x 5/16")       |
| 4     | A98967A     | 1   | S     | PISTON & PIN ASSY (Super 2 Only)     |
| 5     | 93165       | 1   |       | RING- Piston                         |
| 6     | 65261       | 1   | /P    | RING- Retaining                      |
| 7     | 98096       | 1   |       | RING- Retaining                      |
|       | A04330      | 1   | /P    | PISTON & PIN ASSY (XL Only)          |
|       | 04329       | 1   |       | RING- Piston (See #5)                |
|       | 65261       | 1   | /P    | RING- Retaining (See #6)             |
|       | 98096       | 1   |       | RING- Retaining (See #7)             |
| 8     | 94638       | 2   | S     | SEAL                                 |
| 9     | 69407       | 2   | S     | SPACER                               |
| 10    | 12530       | 2   |       | BEARING- Needle                      |
| 11    | 7031017     | 2   | S     | TUBING- Rubber (Oil Line)            |
| 12    | 69250       | 1   | /P    | KEY                                  |
| 13    | A03060A     | 1   |       | CRANKCASE ASSY.                      |
| 14    | 94619       | 1   |       | FITTING                              |
| 15    | 69195       | 1   | /P    | BOLT- Guide bar thd. forming         |
| 16    | 82567       | 4   |       | SCREW- Torx pan hd. (10-24 x 1 1/8") |
| 17    | 03962       | 2   |       | WASHER- Thrust                       |
| 18    | A97611A     | 1   | S     | CRANKSHAFT ASSY.                     |
| 19    | 02035       | 1   | /P    | BEARING                              |
|       | 81229       | 1   |       | NUT- Lock (Not Shown)                |



XL Chain Saw UT-10694  
Housing & Handles

Page 6 of 10

| Ref # | Part Number | Qty | S/P/F | Description                          |
|-------|-------------|-----|-------|--------------------------------------|
| 1     | A03058      | 1   | /P    | HOUSING- Engine                      |
| 2     | 02640       | 1   |       | TAPE                                 |
| 3     | 02490       | 1   |       | DECAL                                |
|       | 03271       | 1   |       | DECAL (International Only)           |
| 4     | 94065       | 4   |       | SCREW- Pan, plastite (#10-16 x 3/4") |
| 5     | 02495       | 1   |       | COVER- Handle                        |
| 6     | 82528       | 4   | /P    | SCREW- Pan plastite (#6-3/8")        |
| 7     | 02501       | 1   | /P    | ROD- Throttle                        |
| 8     | 02481       | 1   |       | COVER- Air filter                    |
| 9     | 02492A      | 1   |       | TRIGGER                              |
| 10    | 02493       | 1   |       | LOCK- Trigger                        |
| 11    | 95212       | 1   | /P    | STOP- Chain                          |
| 12    | 82538       | 4   | /P    | SCREW- Torx, taptite (#10-24 x 3/4") |
| 13    | 02487       | 1   | /P    | PRIMER BULB                          |
| 14    | 0143912     | 1   | S/P   | TUBING- Inlet (3")                   |
| 15    | 7031030     | 1   | S     | TUBING- Return (7")                  |
| 16    | 69360A      | 1   |       | PLATE- Guide bar                     |
| 17    | 69309A      | 1   | /P    | WASHER- Flat                         |
| 18    | 810652      | 1   | S     | NUT- Hex                             |
| 19    | 02765       | 1   |       | SHIELD- Muffler                      |
| 20    | 02496       | 1   | S     | HANDLE BAR                           |
| 21    | A02763      | 1   | S     | TANK- Oil                            |
| 22    | 7031036     | 1   | S     | TUBING- (9")                         |
| 23    | 7031019     | 1   | S     | TUBING (4 3/4")                      |
| 24    | A68593      | 1   |       | FINDER- Oil                          |
| 25    | 98819       | 1   | /P    | VALVE- Check                         |
| 26    | 01327       | 1   | /P    | FITTING- Oil line                    |
| 27    | A97230A     | 1   |       | CAP-Oil                              |
| 28    | 94494       | 1   | /P    | GASKET- Cap                          |
| 29    | A02764      | 1   |       | TANK- Fuel                           |
| 30    | 49422       | 1   | S     | FILTER- Fuel                         |
| 31    | 7031022     | 1   | S     | LINE- Fuel (5 1/2")                  |
| 32    | 98819       | 1   | /P    | VALVE- Check                         |
| 33    | A97230A     | 1   |       | CAP- Fuel                            |
| 34    | 94494       | 1   | /P    | GASKET- Cap                          |
| 35    | A02562B     | 1   | S     | STARTER HOUSING ASSY.                |
| 36    | 69443       | 1   |       | FILTER                               |
| 37    | 02264       | 1   | S     | GRIP- Starter                        |
| 38    | 82563       | 6   | /P    | SCREW- Torx, plastite (#10 x 3/4")   |
| 39    | A97908      | 1   | /P    | SPRING & CONTAINER                   |
| 40    | 9789901     | 1   | /P    | ROPE- Starter                        |
| 41    | 97768A      | 1   |       | PULLEY- Starter                      |
| 42    | 94062       | 1   | /P    | WASHER- Retaining                    |
| 43    | 02497       | 1   | S/P   | SWITCH                               |
| 44    | A02482      | 1   | S     | LEAD- w/Flag Term.                   |
| 45    | A02484      | 1   |       | LEAD- w/Ring Term.                   |
| 46    | A70796C     | 1   | S     | HANDGUARD KIT                        |
| 47    | 02661       | 1   |       | DECAL- Handguard                     |
| 48    | 95694       | 1   |       | WASHER- Curve spring                 |
| 49    | 96102       | 1   |       | WASHER- Flat                         |
| 50    | 95714       | 1   | S     | SCREW- Shoulder                      |



**5-5**  
OUTLET OIL PUMP  
FITTING TO GUIDE  
BAR PAD FITTING.  
4 3/16" LONG.  
70310-17

**4-4**  
INLET OIL PUMP LINE  
FROM OIL PICK UP  
TO INSIDE PUMP  
FITTING. 8" OVERALL  
LENGTH WITH 4 5/8"  
OUT OF TANK.  
70310-36

**6-6**  
PRESSURE PULSE LINE  
FROM CARBURETOR  
"PLASTIC" FITTING TO  
DUCK BILL IN OIL TANK  
4 3/4" LONG.  
70310-19

**3-3**  
PRIMER RETURN  
LINE FROM LONG  
PRIMER FITTING TO  
UPPER FUEL TANK HOLE.  
7 1/2" LONG OVERALL.  
3 1/8" OUT OF TANK.  
70310-30

**2-2**  
PRIMER INLET LINE  
FROM CARBURETOR FITTING  
UNDER ADJUSTING SCREWS  
TO SHORT PRIMER FITTING.  
3" LONG.  
01439-12

**1-1**  
FUEL INLET LINE  
FROM PICK UP TO  
FITTING ON BOTTOM  
OF CARBURETOR.  
5 1/2" LONG OVERALL  
AND 1 3/4" OUT OF TANK.  
70310-22

**FUEL LINE CONNECTION**  
1-1 FUEL INLET  
2-2 PRIMER INLET  
3-3 PRIMER RETURN

**OIL LINE CONNECTION**  
4-4 OIL PUMP INLET  
5-5 OIL PUMP OUTLET  
6-6 OIL TANK PRESSURE

ROUTE LINES AS  
SHOWN - DO NOT KINK.

XL Chain Saw UT-10694  
Peripheral Engine Parts

Page 8 of 10

| Ref # | Part Number | Qty | S/P/F | Description   |
|-------|-------------|-----|-------|---|
| 1     | A02459      | 1   |       | MUFFLER   |
| 2     | 02458       | 1   |       | SCREEN- Spark arrestor                              |
| 3     | 02500       | 1   | S     | FILTER- Air (10-24 x 1 7/8")                        |
| 4     | 82578       | 2   | S     | SCREW- Shoulder plastite (#10-24 x 1 3/4")          |
| 5     | 02491A      | 1   |       | BOX- Air filter                                     |
| 6     | A02486A     | 1   |       | CARBURETOR & OIL PUMP ASSY.                         |
| 7     | 825491      | 2   | S     | SCREW- Torx taptite, thd. forming (10-24 x 1")      |
| 8     | 02488       | 1   | S     | GASKET- Carburetor                                  |
| 9     | A02499      | 1   |       | HEAT DAM  |
| 10    | 95983       | 1   | S     | REED  |
| 11    | 03205       | 1   |       | STOP- Reed  |
| 12    | 82498       | 2   | /P    | SCREW- Hex Taptite (4-40 x 3/9)                     |
| 13    | 02453       | 1   | /P    | GASKET- Intake manifold                             |
| 14    | A95007      | 1   | S     | ROTOR & STARTER PAWL                                |
| 15    | A70285E     | 1   | /P    | KIT- Starter pawl                                   |
| 16    | 81229       | 2   |       | NUT- (5/16-24)                                      |
| 17    | 84065       | 1   | S     | WASHER- (5/16")                                     |
| 18    | 94711CS     | 1   | /P    | MODULE  |
| 19    | 69326       | 1   |       | LEAD- Hi-Tension                                    |
| 20    | A33055      | 1   | /P    | TERMINAL  |
| 21    | 96169S      | 1   | S     | SPARK PLUG (Champion DJ7Y)                          |
|       | 79252       | 1   | S     | SPARK PLUG (Champion RDJ7Y)<br>(International Only) |
| 22    | 98066       | 3   |       | SPRING- Clutch                                      |
| 23    | 79221       | 1   | /P    | SPIDER- Clutch                                      |
| 24    | 79222A      | 3   |       | SHOE- Clutch  |
| 25    | A95653C     | 1   | S     | SPROCKET & DRUM                                     |
| 26    | 70277       | 1   | S     | BEARING   |
| 27    | 692542      | 1   | /P    | PIN- Adjusting                                      |
| 28    | A00440      | 1   | /P    | SCREW & E-RING KIT                                  |
| 29    | 93574       | 1   | S     | E-RING  |
| 30    | 82540       | 2   | /P    | SCREW Machine hex sems                              |
| 31    | 93460       | 1   | /P    | SCREW- Machine hex sems (10-24 x 1 7/8")            |
| 32    | 95299       | 2   | /P    | WASHER- Thrust                                      |
|       | A97921A     | 1   | /P    | KIT - Clutch complete                               |



**ACCESSORIES  
ACCESSOIRES  
ZUBEHÖR  
ACCESSORIES  
ACCESORIOS**

- ▶ **KIT- Repair (sprocket nose bar)..... A-70239-E**  
 Jeu de réparation (Lame à nez à pignon)  
 Reparatursatz (Kettenrad-Nasenspitze)  
 Kit per riparazioni (denta punta lama)  
 Juego de reparación (extremo barra rueda dentada)
- ▶ **FUEL LINE (10 ft. length) ..... 70310-99**  
 Conduite de carburant (3 m de long)  
 Kraftstoffleitung (3 m Länge)  
 Condotto d'alimentazione (3 m di lunghezza)  
 Línea de combustible (10 pies de largo)
- ▶ **OIL LINE- (10 ft length)..... 70309-99**  
 Conduite d'huile (3 m de long)  
 Ölleitung (3 m Länge)  
 Condotto dell'olio (3 m di lunghezza)  
 Línea de aceite (10 pies de largo)
- ▶ **SAFE•T•TIP® (Standard)..... DA-70776-B**  
 SAFE•T•TIP® (Standard)  
 SAFE•T•TIP® (Standard)  
 SAFE•T•TIP® (Standard)  
 SAFE•T•TIP® (Standard)
- ▶ **GREASE- Multi Purpose (Sprocket bearing-PT guide bar) .....18453**  
 Graisse universelle (Palier de pignon-PT - lame-guide)  
 Mehrzweck-Schmiermittel (Kettenradlager-PT-Führungsschiene)  
 Grasso, multiuso Cuscinetto della ruota dentata - PT - barra di guida)  
 Grasa de uso general (Cojinete de la rueda dentada - PT - barra guía)
- ▶ **CARRYING CASE..... 94216-A**  
 Boítier de transport  
 Tragekasten  
 Custodia  
 Maletín
- ▶ **STARTING ROPE (250 ft. Reel)..... 98052-A**  
 Cordon de lanceur (75 m bobine)  
 Starterseil (76 m Spule)  
 Corda d'avviamento (bobina da 76 m)  
 Cuerda de arranque (carrete de 76 m)

**TOOLS  
OUTILS  
WERKZEUGE  
ATTREZZI  
HERRAMIENTAS**

- ▶ **WRENCH (combination)..... D-24814-A**  
 Clé combiné  
 Schraubenschlüssel Kombination  
 Chiave combinata  
 Llave combinada
- ▶ **SILASTIC (crankcase sealing)..... 24823**  
 Silastic (étanchéité du carter)  
 Silastic (Kurbelgehäuse Dichtung)  
 Silastic (sigillo di tenuta del carter)  
 Silastic (sello del cárter)
- ▶ **PULLER- Magneto Rotor ..... A-24747-A**  
 Extracteur, rotor magnéto  
 Abziehwerkzeug-Magnetrotor  
 Rotore d'estrazione a magnete  
 Extractor-rotor de magneto
- ▶ **IGNITION TEST SPARK PLUG ..... JA-31316-4**  
 Testeur d'allumage  
 Testzündkerze für Zündprüfung  
 Candela di collaudo  
 Bujía para probar el encendido
- ▶ **SHIM (0.015" AIR GAP).....22486**  
 Cale (écart de 0,38 mm)  
 Distanzscheibe (0,38 mm Luftspalt)  
 Spessore (spinterometro 0,38 mm)  
 Suplemento (espacio de 0,38 mm)
- ▶ **T-25 TORX DRIVE BIT..... 24982-01**  
 Foret torx T-25  
 T-25 Torx-Antriebsbit  
 Punta Torx Drive T-25  
 Broca de empuje T-25 Torx
- ▶ **T-27 TORX DRIVE BIT..... 18566-01**  
 Foret torx T-27  
 T-27 Torx-Antriebsbit  
 Punta Torx Drive T-27  
 Broca de empuje T-27 Torx

XL Chain Saw UT-10694  
Tools & Accessories

Page 10 of 10

| Ref #      | Part Number | Qty | S/P/F | Description   |
|------------|-------------|-----|-------|---|
| A-70239-E  | A70239E     | 1   |       | KIT- Repair (sprocket nose bar)                       |
| 7031099    | 7031099     | 1   | S     | FUEL LINE (10 ft. length)                             |
| 7030999    | 7030999     | 1   | /P    | OIL LINE- (10 ft. length)                             |
| DA-70776-B | DA70776B    | 1   |       | SAFE-T-TIP (Standard)                                 |
| 18453      | 18453       | 1   | /P    | GREASE- Multi Purpose (Sprocket bearing-PT guide bar) |
| 94216-A    | 94216A      | 1   | S     | CARRYING CASE   |
| 98052-A    | 98052A      | 1   | /P    | STARTING ROPE (250 ft. Reel)                          |
| D-24814-A  | D24814A     | 1   |       | WRENCH (combination)                                  |
| 24823      | 24823       | 1   | S     | SILASTIC (crankcase sealing)                          |
| A24747A    | A24747A     | 1   |       | PULLER- Magneto Rotor                                 |
| JA313164   | JA313164    | 1   |       | IGNITION TEST SPARK PLUG                              |
| 22486      | 22486       | 1   |       | SHIM (0.015" AIR GAP)                                 |
| 2498201    | 2498201     | 1   |       | T-25 TORX DRIVE BIT                                   |
| 18566-01   | 1856601     | 1   | /P    | T-27 TORX DRIVE BIT                                   |