

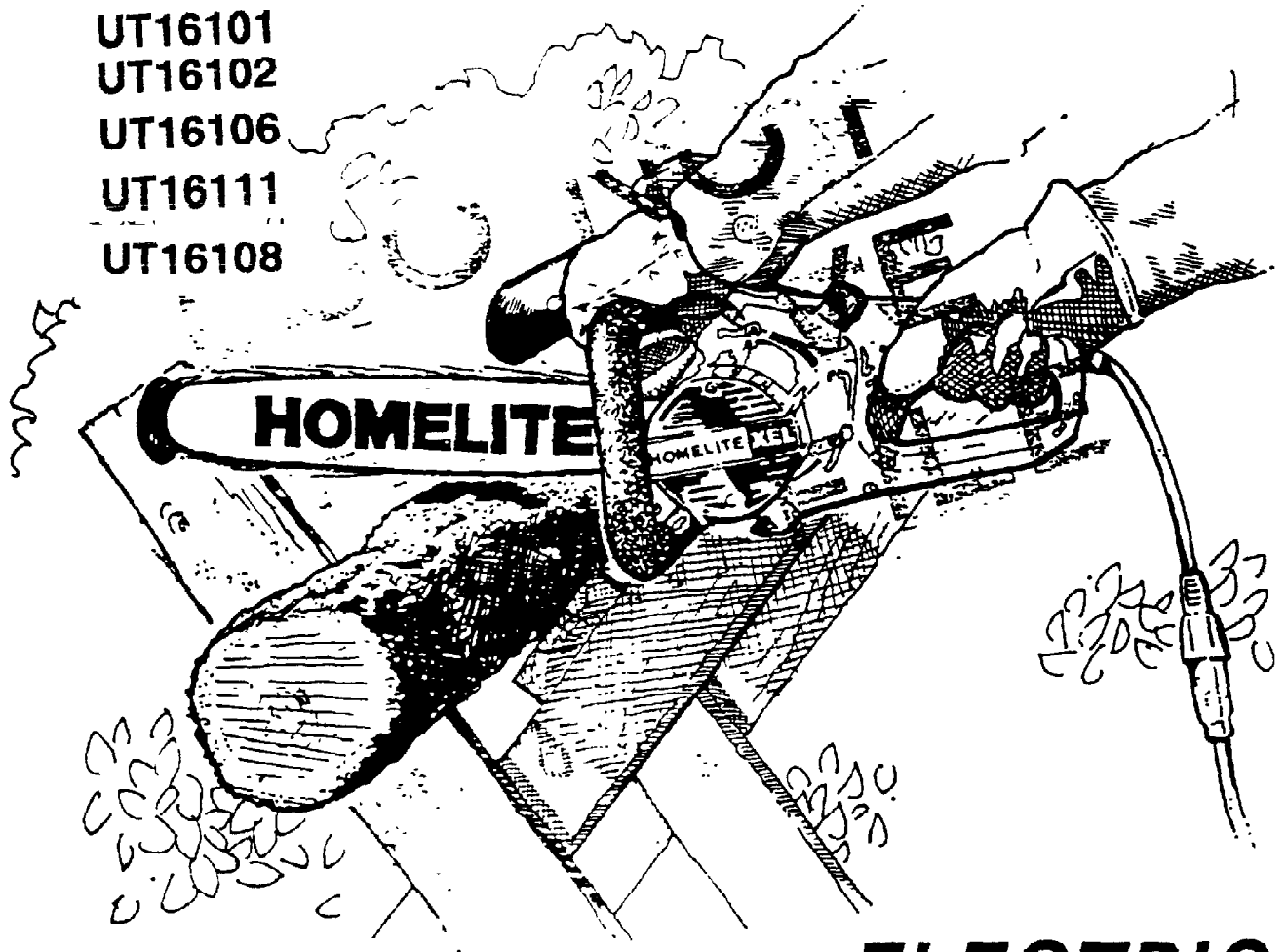
PARTS LIST

XEL-8 XEL-12
XEL-10 XEL-14

PART NO. 17214-A
Printed in U.S.A.
Price 35¢

(SUPERSEDES 17214)

UT16100
UT16101
UT16102
UT16106
UT16111
UT16108



ELECTRIC
CHAIN SAWS

HOMELITE **TEXTRON**

— Homelite Division of Textron Inc

**XEL-8
XEL-10
XEL-12
XEL-14**

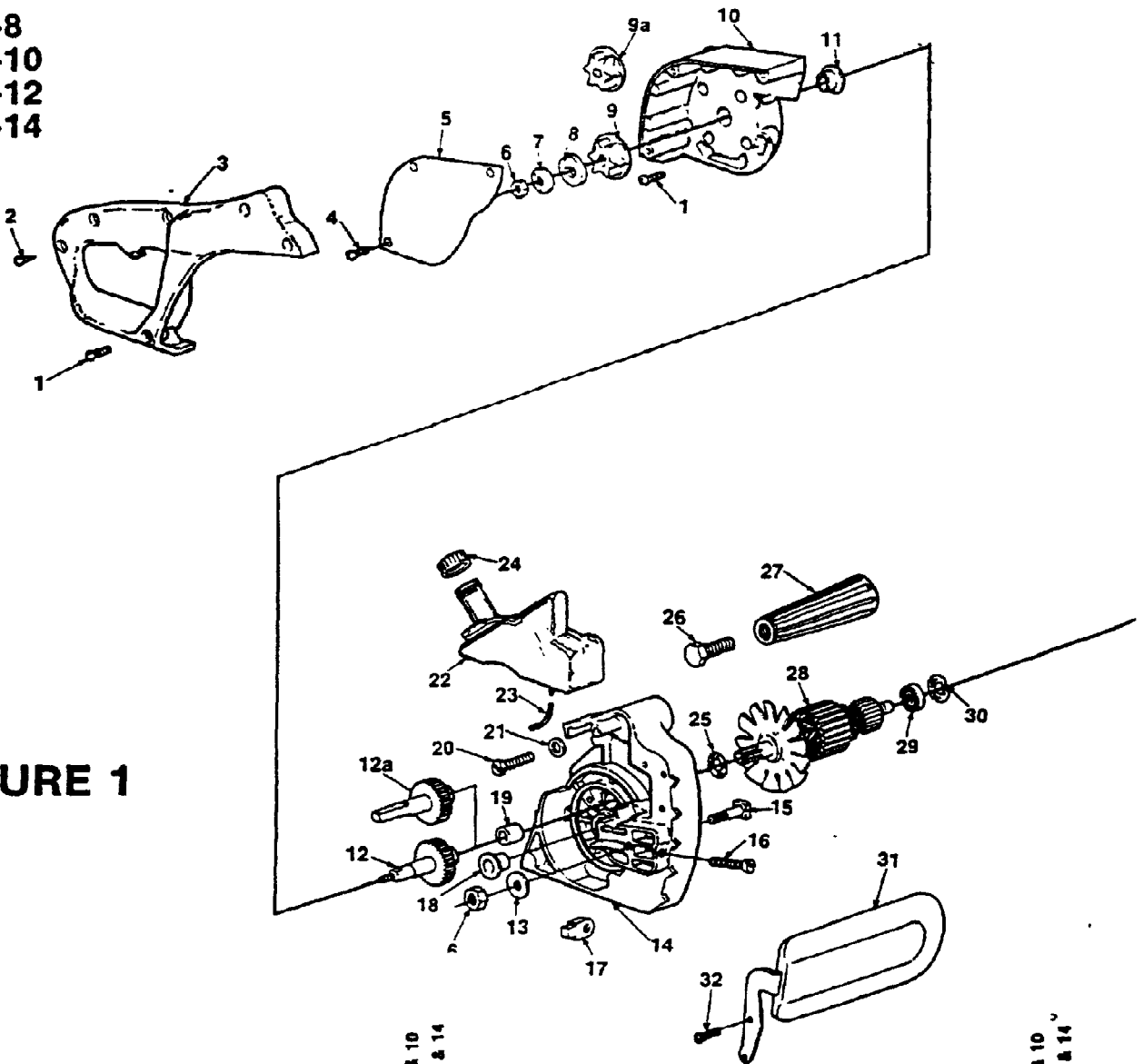


FIGURE 1

No.	Description	Part No.	XEL-8 & 10	XEL-12 & 14	Qty.	No.	Description	Part No.	XEL-8 & 10	XEL-12 & 14	Qty.
1	SCREW- 8-32 x 5/8	82331	x	x	7	18	BEARING- Sleeve	93002	x	x	1
2	SCREW- 10-16 x 9/16	93243	x	x	4	19	BEARING- Sleeve	93003	x	x	1
3	COVER- Handle	70983	x	x	1	20	SCREW- 1/4-20 x 1	80284	x	x	1
4	SCREW- 8-32 x 3/8	80577-2	x	x	3	21	WASHER- Flat	84020	x	x	1
5	COVER- Sprocket	70997-1	x	x	1	22	OIL TANK	A-93878-A	x	x	1
6	NUT- Hex, 1/4-28	81065-2	x	x	1	Includes:					
7	WASHER- Belleville	93231	x	x	1	23	TUBING- Rubber	95302	x	x	1
8	WASHER- D (Note 1)	93041	x	x	1	24	CAP- Oil	93017	x	x	1
9a	SPROCKET	93005	x	x	1	25	WASHER- Thrust	93070	x	x	1
9	SPROCKET	93004	x	x	1	26	SCREW- 3/8-16 x 1	80095	x	x	1
10	COVER- Drivecase	A-93233	x	x	1	27	HANDLE- Auxiliary	93057	x	x	1
Includes:						28	ARMATURE	A-94323	x	x	1
11	BEARING- Sleeve	93002	x	x	1	Includes:					
12a	SHAFT- Drive	A-93166	x	x	1	29	BEARING- Ball	94036	x	x	1
12	SHAFT- Drive	A-93167	x	x	1	30	WASHER- Finger spring	94037	x	x	1
13	WASHER- Flat	69309-A	x	x	1	31	GUARD- Hand	*A-94333	x	x	1
14	DRIVECASE	A-93235	x	x	1	Includes:					
Includes:						32	SCREW- 8-32 x 5/8	82331	x	x	2
15	BOLT- Guide bar	69195	x	x	1	* OPTIONAL ON THE 8"					
16	SCREW- Adjusting 8-32 x 1	80220-2	x	x	1	NOTE 1 - Install with cupped side of washer toward sprocket.					
17	PIN- Adjusting	69254-1A	x	x	1						

**XEL-8
XEL-10
XEL-12
XEL-14**

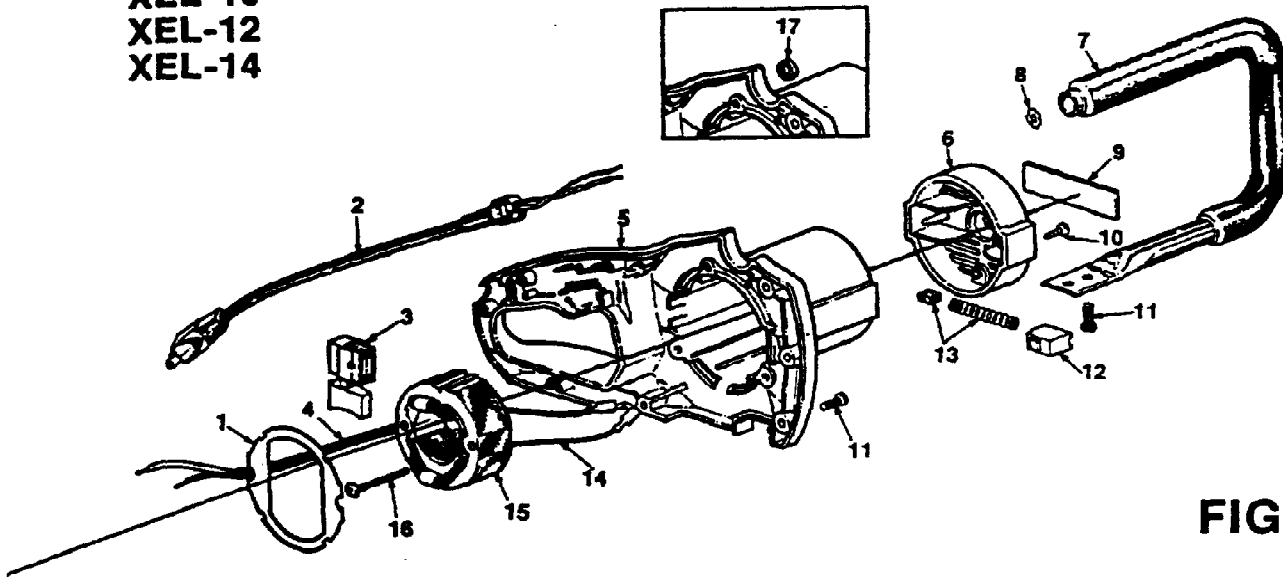


FIGURE 2

ACCESSORIES

- 17236 PLUG- Sleeve bearing
- 17237 GREASE- 8 oz. tube
- 22772 PAINT- Black 12 oz. spray can
- 94305 CORD- (50 ft.)
- 24814 WRENCH- Guide bar nut

No.	Description	Part No.	XEL-8 & 10	XEL-12 & 14	Qty.
1	BAFFLE- Fan	93741	x	x	1
2	POWER CORD	70996	x	x	1
3	SWITCH (Note 1)	93013	x	x	1
4	SLEEVE- Insulation	93975	x	x	1
5	HOUSING- Motor (Note 2)	A-93238	x	x	1
6	HOUSING- End	70967	x	x	1
7	HANDLE BAR	A-93059	x	x	1
	Includes:				
8	NUT- Tube connecting	93616		x	1
9	DECAL	93247	x	x	1
10	SCREW- 10-16 x 9/16	93243	x	x	2
11	SCREW- 8-32 x 5/8	82331	x	x	7
	SCREW- 8-32 x 5/8	82331	x	x	9
12	HOLDER- Brush	93035-A	x	x	2
13	BRUSH AND SPRING	A-94334	x	x	2
14	LEAD- Brush (Note 3)	A-94370-A	x	x	1
15	FIELD (Note 4)	93034-1A	x	x	1
16	SCREW- 10-16 x 1 3/4	93244	x	x	2
17	BUTTON- Lock (Note 5)	94214	x	x	1
	SAFE-T-TIP (not shown)	*A-70776-A	x	x	1
	Includes:				
	SCREW- Special (not shown)	93695	x	x	1

NOTE 1- Use 93014 Switch Button on XEL 12 & 14 on units prior to Lot #C036.

NOTE 2- Use A-70968 Motor Housing on XEL 12 & 14 on units prior to Lot #C036.

NOTE 3- Use A-93238-A Brush Lead on XEL 12 & 14 on units prior to Lot #C036.

NOTE 4- Use 93034-A Field on XEL 12 & 14 on units prior to Lot #C036.

NOTE 5- Use 94214 Lock Button on XEL 12 & 14 prior to Lot #C036.

* OPTIONAL ON 8" SAWS

21810

**FORESTRY PRODUCTS DIVISION
P.O. BOX 7047
14401 CAROWINDS BOULEVARD
CHARLOTTE, NORTH CAROLINA 28217**

HOMELITE **TEXTRON**

Homelite Division of Textron Inc.