

PARTS LIST

XEL-8 XEL-12

XEL-10 XEL-14

PART NO. 17214-A

Printed in U.S.A.

Price 35¢

(SUPERSEDES 17214

UT16100

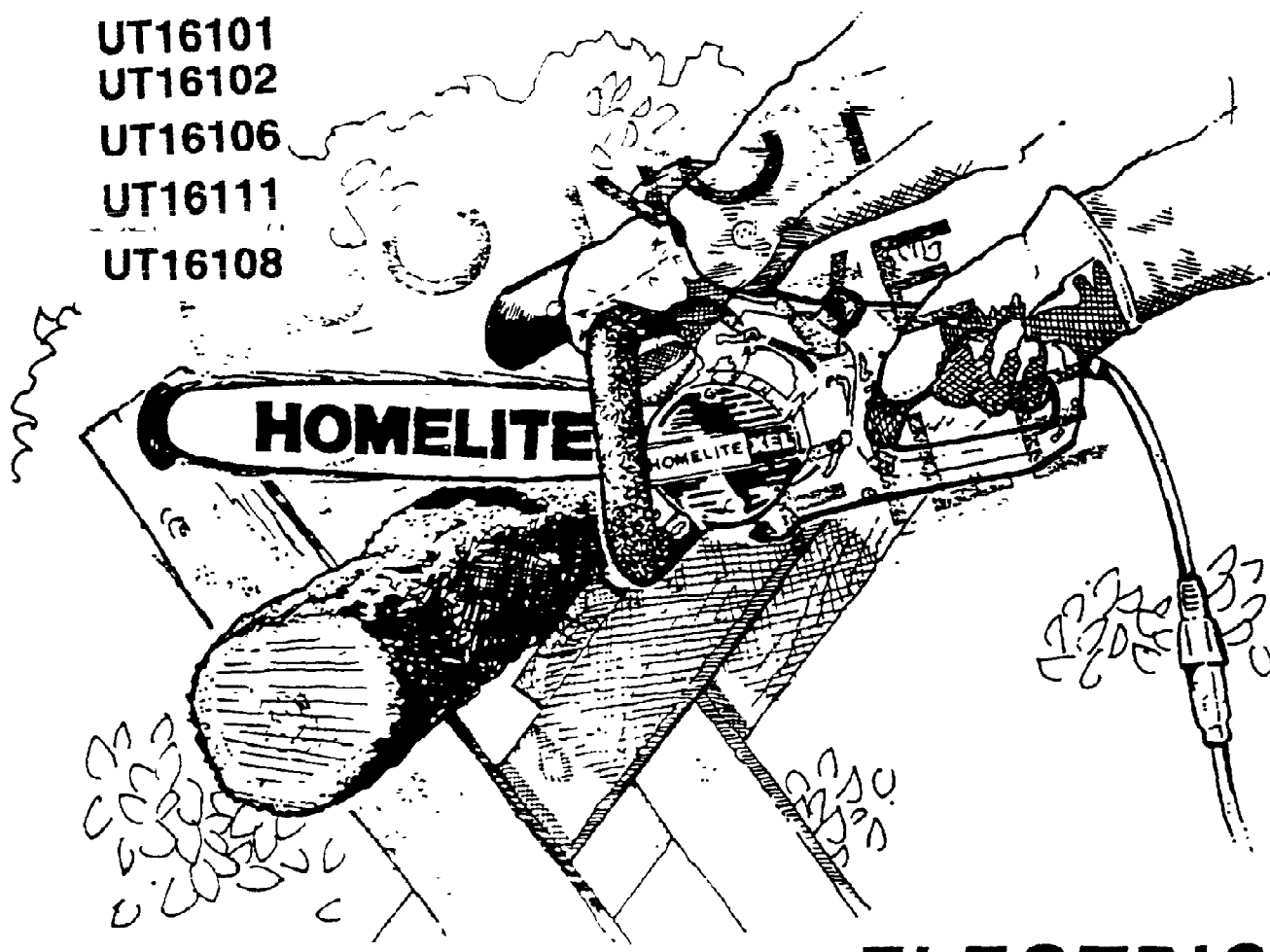
UT16101

UT16102

UT16106

UT16111

UT16108



**ELECTRIC
CHAIN SAWS**

HOMELITE TEXTRON

— Homelite Division of Textron Inc

**XEL-8
XEL-10
XEL-12
XEL-14**

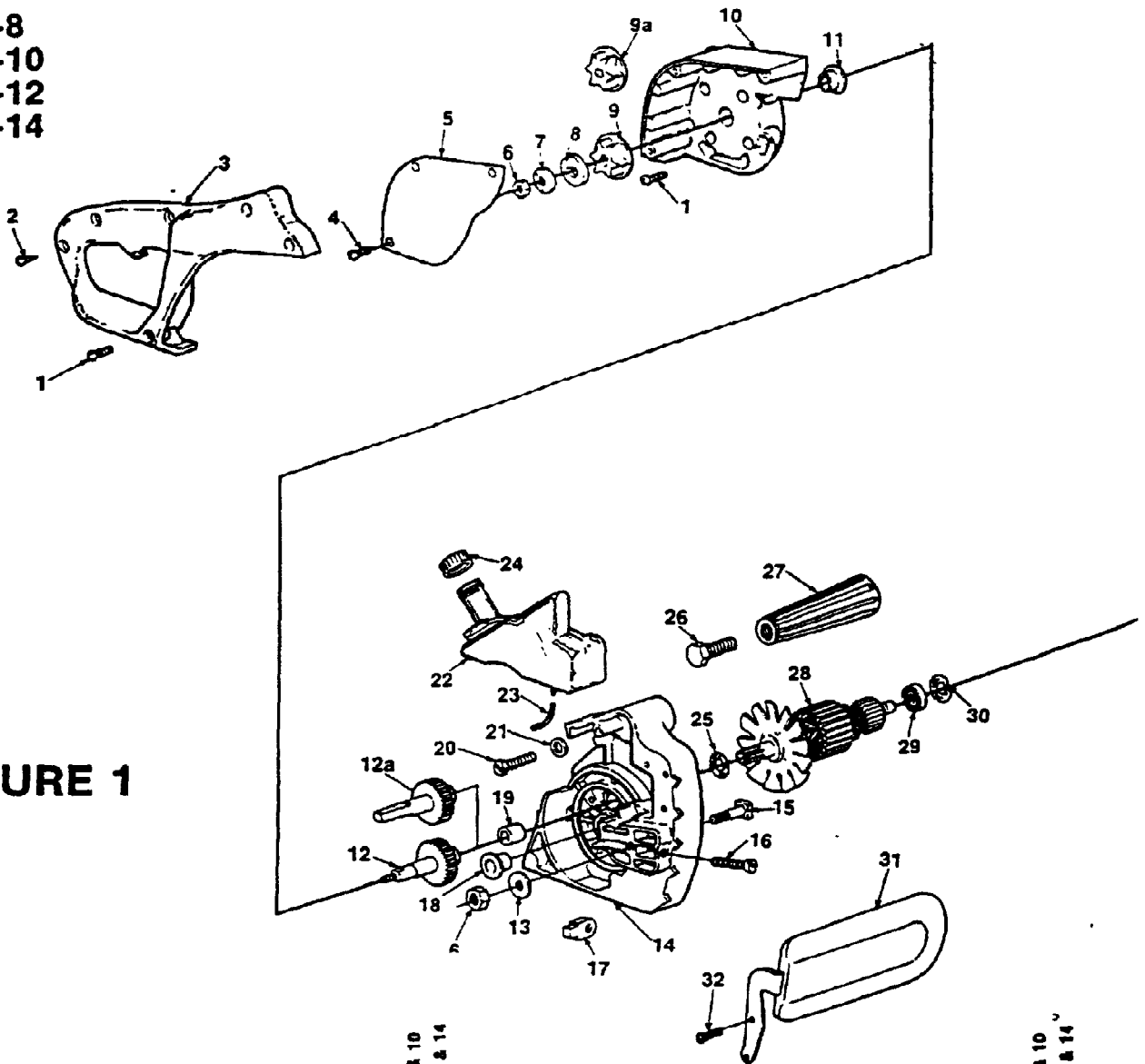


FIGURE 1

No.	Description	Part No.	XEL-8 & 10		XEL-12 & 14		Qty.	No.	Description	Part No.	XEL-8 & 10		XEL-12 & 14		Qty.
			x	x	x	x					x	x	x	x	
1	SCREW- 8-32 x 5/8	82331	x	x			7	18	BEARING- Sleeve	93002	x	x			1
2	SCREW- 10-16 x 9/16	93243	x	x			4	19	BEARING- Sleeve	93003	x	x			1
3	COVER- Handle	70983	x	x			1	20	SCREW- 1/4-20 x 1	80284			x		1
4	SCREW- 8-32 x 3/8	80577-2	x	x			3	21	WASHER- Flat	84020			x		1
5	COVER- Sprocket	70997-1	x	x			1	22	OIL TANK	A-93878-A	x	x			1
6	NUT- Hex, 1/4-28	81065-2	x				1	Includes:							
	NUT- Hex, 1/4-28	81065-2		x			2	23	TUBING- Rubber	95302	x	x			1
7	WASHER- Belleville	93231		x			1	24	CAP- Oil	93017	x	x			1
8	WASHER- D (Note 1)	93041		x			1	25	WASHER- Thrust	93070	x	x			1
9a	SPROCKET	93005	x				1	26	SCREW- 3/8-16 x 1	80095			x		1
9	SPROCKET	93004		x			1	27	HANDLE- Auxiliary	93057			x		1
10	COVER- Drivecase	A-93233	x	x			1	28	ARMATURE	A-94323	x	x			1
	Includes:							Includes:							
11	BEARING- Sleeve	93002	x	x			1	29	BEARING- Ball	94036	x	x			1
12a	SHAFT- Drive	A-93166	x				1	30	WASHER- Finger spring	94037			x		1
12	SHAFT- Drive	A-93167		x			1	31	GUARD- Hand	*A-94333			x		1
13	WASHER- Flat	69309-A		x			1	Includes:							
14	DRIVECASE	A-93235	x	x			1	32	SCREW- 8-32 x 5/8	82331	x	x			2
	Includes:							* OPTIONAL ON THE 8"							
15	BOLT- Guide bar	69195	x	x			1	NOTE 1 - Install with cupped side of washer toward sprocket.							
16	SCREW- Adjusting 8-32 x 1	80220-2					1								
17	PIN- Adjusting	69254-1A					1								

**XEL-8
XEL-10
XEL-12
XEL-14**

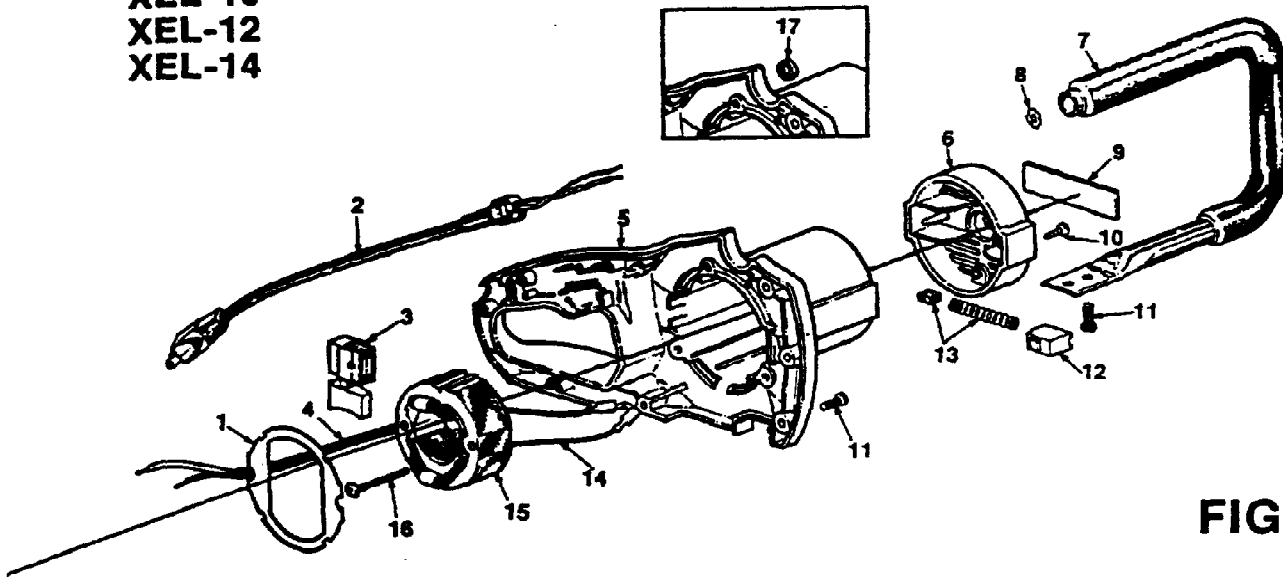


FIGURE 2

ACCESSORIES

- 17236 PLUG- Sleeve bearing
- 17237 GREASE- 8 oz. tube
- 22772 PAINT- Black 12 oz. spray can
- 94305 CORD- (50 ft.)
- 24814 WRENCH- Guide bar nut

No.	Description	Part No.	XEL-8 & 10	XEL-12 & 14	Qty.
1	BAFFLE- Fan	93741	x	x	1
2	POWER CORD	70996	x	x	1
3	SWITCH (Note 1)	93013	x	x	1
4	SLEEVE- Insulation	93975	x	x	1
5	HOUSING- Motor (Note 2)	A-93238	x	x	1
6	HOUSING- End	70967	x	x	1
7	HANDLE BAR	A-93059	x	x	1
	Includes:				
8	NUT- Tube connecting	93616		x	1
9	DECAL	93247	x	x	1
10	SCREW- 10-16 x 9/16	93243	x	x	2
11	SCREW- 8-32 x 5/8	82331	x	x	7
	SCREW- 8-32 x 5/8	82331	x	x	9
12	HOLDER- Brush	93035-A	x	x	2
13	BRUSH AND SPRING	A-94334	x	x	2
14	LEAD- Brush (Note 3)	A-94370-A	x	x	1
15	FIELD (Note 4)	93034-1A	x	x	1
16	SCREW- 10-16 x 1 3/4	93244	x	x	2
17	BUTTON- Lock (Note 5)	94214	x	x	1
	SAFE-T-TIP (not shown)	*A-70776-A	x	x	1
	Includes:				
	SCREW- Special (not shown)	93695	x	x	1

NOTE 1- Use 93014 Switch Button on XEL 12 & 14 on units prior to Lot #C036.

NOTE 2- Use A-70968 Motor Housing on XEL 12 & 14 on units prior to Lot #C036.

NOTE 3- Use A-93238-A Brush Lead on XEL 12 & 14 on units prior to Lot #C036.

NOTE 4- Use 93034-A Field on XEL 12 & 14 on units prior to Lot #C036.

NOTE 5- Use 94214 Lock Button on XEL 12 & 14 prior to Lot #C036.

* OPTIONAL ON 8" SAWS

21810

**FORESTRY PRODUCTS DIVISION
P.O. BOX 7047
14401 CAROWINDS BOULEVARD
CHARLOTTE, NORTH CAROLINA 28217**

HOMELITE **TEXTRON**

Homelite Division of Textron Inc.