

PARTS LIST

XEL-8 XEL-12

XEL-10 XEL-14

PART NO. 17214-A

Printed in U.S.A.

Price 35¢

(SUPERSEDES 17214)

UT16100

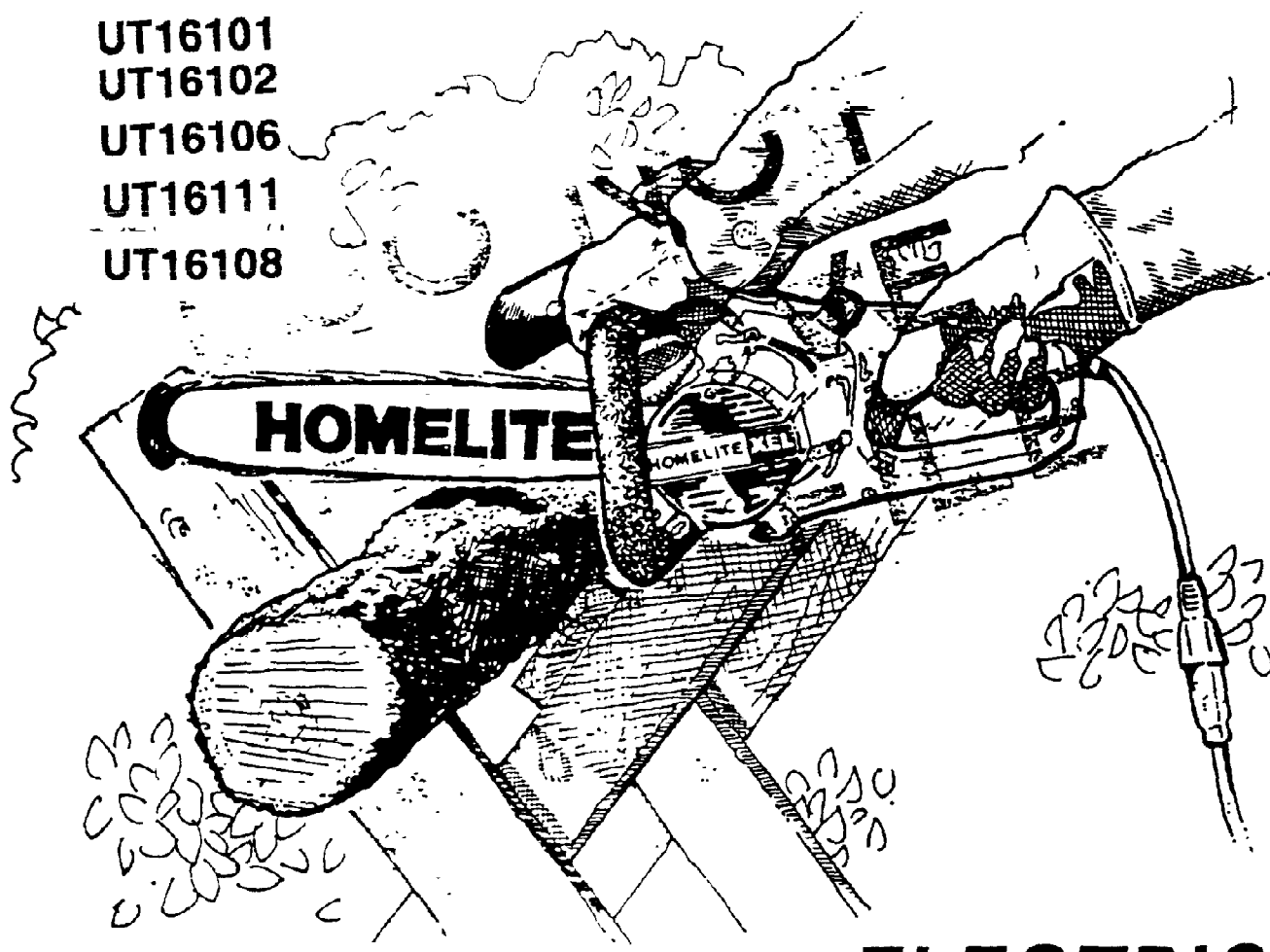
UT16101

UT16102

UT16106

UT16111

UT16108



ELECTRIC CHAIN SAWS

HOMELITE TEXTRON

— Homelite Division of Textron Inc

**XEL-8
XEL-10
XEL-12
XEL-14**

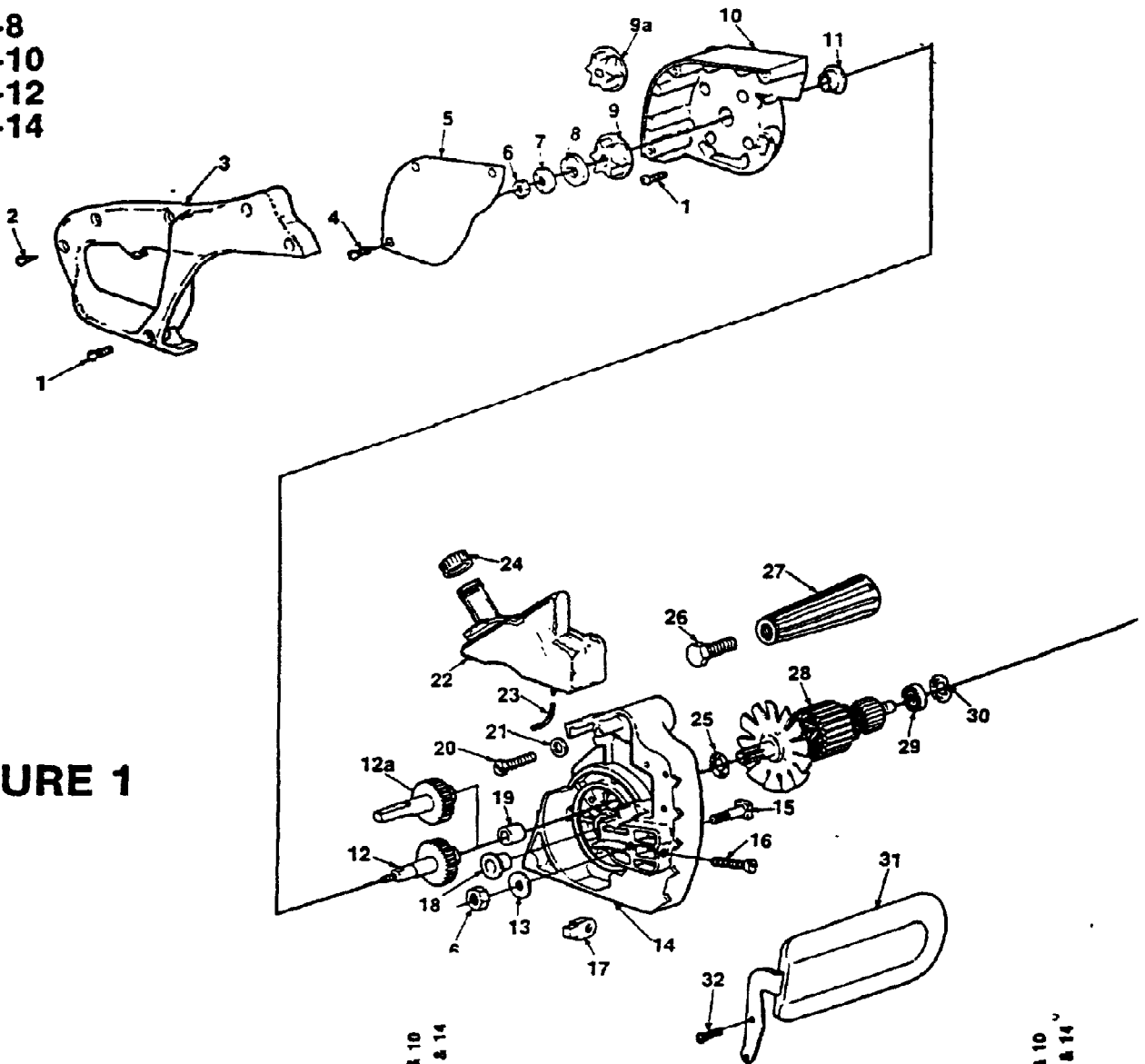


FIGURE 1

| No. | Description | Part No. | XEL-8 & 10 | | XEL-12 & 14 | | Qty. | No. | Description | Part No. | XEL-8 & 10 | | XEL-12 & 14 | | Qty. |
|-----|---------------------------|----------|------------|---|-------------|---|------|--|-----------------------|-----------|------------|---|-------------|---|------|
| | | | x | x | x | x | | | | | x | x | x | x | |
| 1 | SCREW- 8-32 x 5/8 | 82331 | x | x | | | 7 | 18 | BEARING- Sleeve | 93002 | x | x | | | 1 |
| 2 | SCREW- 10-16 x 9/16 | 93243 | x | x | | | 4 | 19 | BEARING- Sleeve | 93003 | x | x | | | 1 |
| 3 | COVER- Handle | 70983 | x | x | | | 1 | 20 | SCREW- 1/4-20 x 1 | 80284 | | | x | | 1 |
| 4 | SCREW- 8-32 x 3/8 | 80577-2 | x | x | | | 3 | 21 | WASHER- Flat | 84020 | | | x | | 1 |
| 5 | COVER- Sprocket | 70997-1 | x | x | | | 1 | 22 | OIL TANK | A-93878-A | x | x | | | 1 |
| 6 | NUT- Hex, 1/4-28 | 81065-2 | x | | | | 1 | Includes: | | | | | | | |
| | NUT- Hex, 1/4-28 | 81065-2 | | x | | | 2 | 23 | TUBING- Rubber | 95302 | x | x | | | 1 |
| 7 | WASHER- Belleville | 93231 | | x | | | 1 | 24 | CAP- Oil | 93017 | x | x | | | 1 |
| 8 | WASHER- D (Note 1) | 93041 | | x | | | 1 | 25 | WASHER- Thrust | 93070 | x | x | | | 1 |
| 9a | SPROCKET | 93005 | x | | | | 1 | 26 | SCREW- 3/8-16 x 1 | 80095 | | | x | | 1 |
| 9 | SPROCKET | 93004 | | x | | | 1 | 27 | HANDLE- Auxiliary | 93057 | | | x | | 1 |
| 10 | COVER- Drivecase | A-93233 | x | x | | | 1 | 28 | ARMATURE | A-94323 | x | x | | | 1 |
| | Includes: | | | | | | | Includes: | | | | | | | |
| 11 | BEARING- Sleeve | 93002 | x | x | | | 1 | 29 | BEARING- Ball | 94036 | x | x | | | 1 |
| 12a | SHAFT- Drive | A-93166 | x | | | | 1 | 30 | WASHER- Finger spring | 94037 | | | x | | 1 |
| 12 | SHAFT- Drive | A-93167 | | x | | | 1 | 31 | GUARD- Hand | *A-94333 | | | x | | 1 |
| 13 | WASHER- Flat | 69309-A | | x | | | 1 | Includes: | | | | | | | |
| 14 | DRIVECASE | A-93235 | | x | | | 1 | 32 | SCREW- 8-32 x 5/8 | 82331 | | | x | | 2 |
| | Includes: | | | | | | | * OPTIONAL ON THE 8" | | | | | | | |
| 15 | BOLT- Guide bar | 69195 | | x | | | 1 | NOTE 1 - Install with cupped side of washer toward sprocket. | | | | | | | |
| 16 | SCREW- Adjusting 8-32 x 1 | 80220-2 | | | | | 1 | | | | | | | | |
| 17 | PIN- Adjusting | 69254-1A | | | | | 1 | | | | | | | | |

**XEL-8
XEL-10
XEL-12
XEL-14**

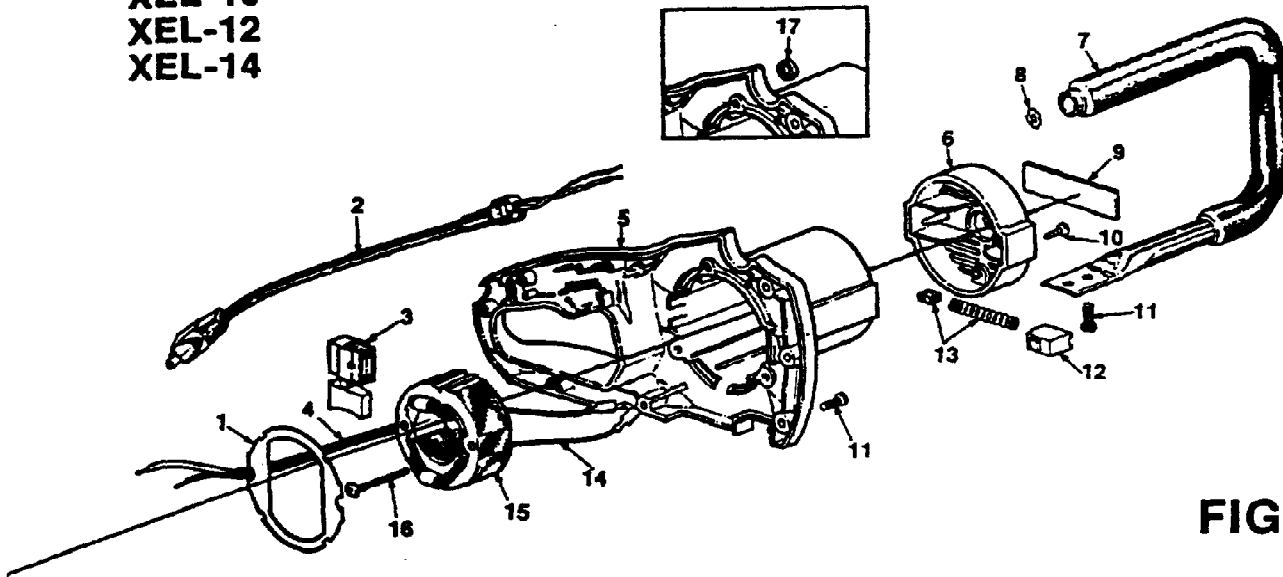


FIGURE 2

ACCESSORIES

- 17236 PLUG- Sleeve bearing
- 17237 GREASE- 8 oz. tube
- 22772 PAINT- Black 12 oz. spray can
- 94305 CORD- (50 ft.)
- 24814 WRENCH- Guide bar nut

| No. | Description | Part No. | XEL-8 & 10 | XEL-12 & 14 | Qty. |
|-----------|----------------------------|------------|------------|-------------|------|
| 1 | BAFFLE- Fan | 93741 | x | x | 1 |
| 2 | POWER CORD | 70996 | x | x | 1 |
| 3 | SWITCH (Note 1) | 93013 | x | x | 1 |
| 4 | SLEEVE- Insulation | 93975 | x | x | 1 |
| 5 | HOUSING- Motor (Note 2) | A-93238 | x | x | 1 |
| 6 | HOUSING- End | 70967 | x | x | 1 |
| 7 | HANDLE BAR | A-93059 | x | x | 1 |
| Includes: | | | | | |
| 8 | NUT- Tube connecting | 93616 | | x | 1 |
| 9 | DECAL | 93247 | x | x | 1 |
| 10 | SCREW- 10-16 x 9/16 | 93243 | x | x | 2 |
| 11 | SCREW- 8-32 x 5/8 | 82331 | x | x | 7 |
| | SCREW- 8-32 x 5/8 | 82331 | x | x | 9 |
| 12 | HOLDER- Brush | 93035-A | x | x | 2 |
| 13 | BRUSH AND SPRING | A-94334 | x | x | 2 |
| 14 | LEAD- Brush (Note 3) | A-94370-A | x | x | 1 |
| 15 | FIELD (Note 4) | 93034-1A | x | x | 1 |
| 16 | SCREW- 10-16 x 1 3/4 | 93244 | x | x | 2 |
| 17 | BUTTON- Lock (Note 5) | 94214 | x | x | 1 |
| | SAFE-T-TIP (not shown) | *A-70776-A | x | x | 1 |
| Includes: | | | | | |
| | SCREW- Special (not shown) | 93695 | x | x | 1 |

- NOTE 1- Use 93014 Switch Button on XEL 12 & 14 on units prior to Lot #C036.
 - NOTE 2- Use A-70968 Motor Housing on XEL 12 & 14 on units prior to Lot #C036.
 - NOTE 3- Use A-93238-A Brush Lead on XEL 12 & 14 on units prior to Lot #C036.
 - NOTE 4- Use 93034-A Field on XEL 12 & 14 on units prior to Lot #C036.
 - NOTE 5- Use 94214 Lock Button on XEL 12 & 14 prior to Lot #C036.
- * OPTIONAL ON 8" SAWS

21810

**FORESTRY PRODUCTS DIVISION
P.O. BOX 7047
14401 CAROWINDS BOULEVARD
CHARLOTTE, NORTH CAROLINA 28217**

HOMELITE **TEXTRON**

Homelite Division of Textron Inc.