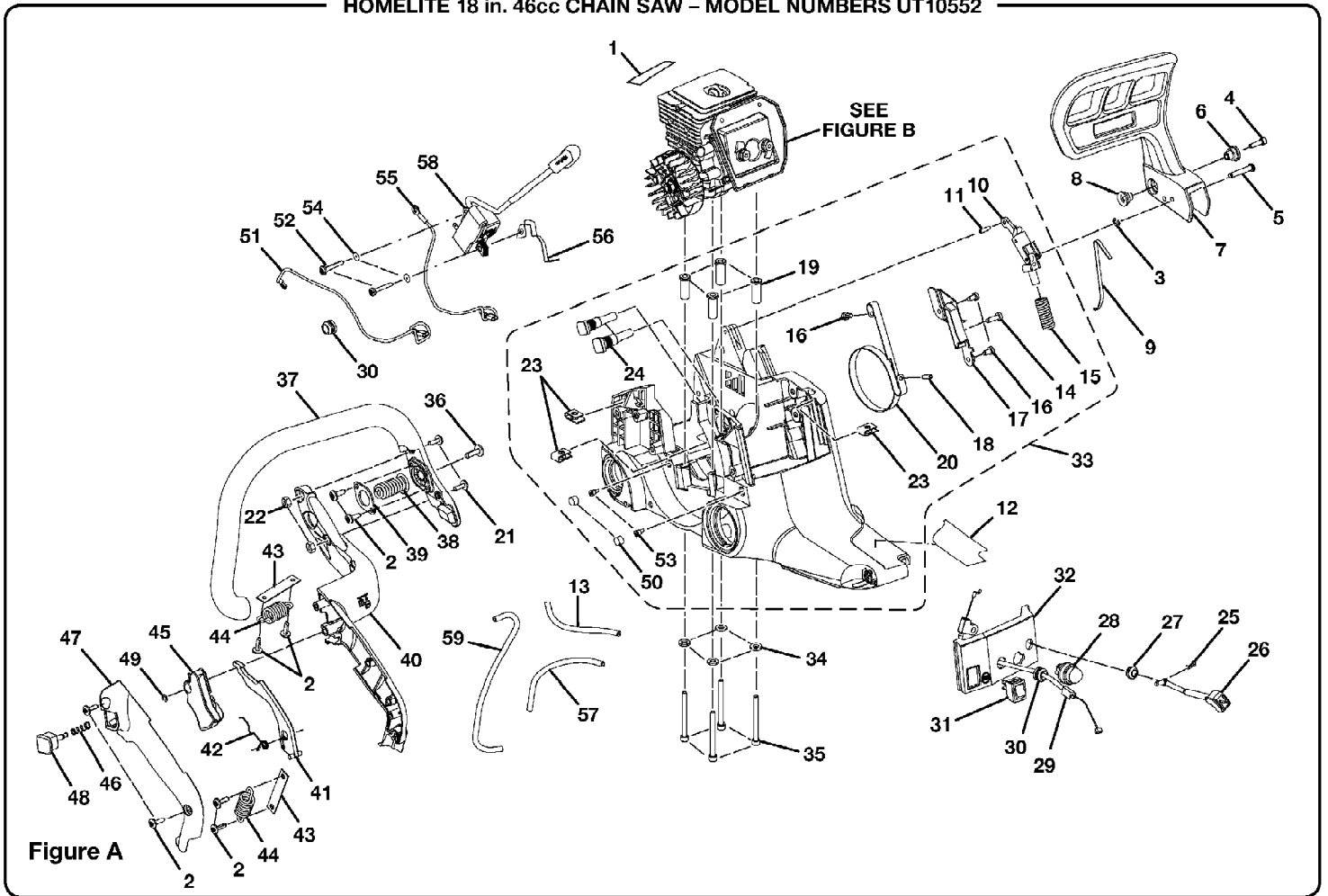


HOMELITE 18 in. 46cc CHAIN SAW - MODEL NUMBERS UT10552



UT10552 18in. 46cc Chain Saw  
Figure A

Page 2 of 8

| Ref # | Part Number | Qty | S/P/F | Description  |
|-------|-------------|-----|-------|--|
| 1     | 901358001   | 1   |       | Heat Reflector Tape  |
| 2     | 660632001   | 8   | S     | Screw (10-14 X 5/8 in. Torx Pan Hd.)<br>Purchase locally             |
| 3     | 671075001   | 1   | S     | Retaining Ring   |
| 4     | 660635001   | 1   | S     | Screw (8-32 X 5/8 in. Hex Soc. Hd.)<br>Purchase locally              |
| 5     | 620442001   | 1   |       | Handguard Lever Pin  |
| 6     | 671096001   | 1   | /P    | Pivot (Right Hand)   |
| 7     | 518278001   | 1   |       | Handguard  |
| 8     | 671097001   | 1   | /P    | Pivot (Left Hand)  |
| 9     | 638024001   | 1   | /P    | Spring   |
| 10    | 300954002   | 1   |       | Chain Brake Link Assembly  |
| 11    | 671099001   | 1   | S     | Roll Pin (Small)   |
| 12    | 940636001   | 1   |       | On-board Label   |
| 13    | 570247006   | 1   |       | Rubber Tubing (95 mm)  |
| 14    | 660634002   | 1   |       | Screw (8-16 X 17 mm) Purchase locally                                |
| 15    | 678113001   | 1   | S     | Spring   |
| 16    | 660634001   | 3   | /P    | Screw (8-16 X 0.32 Pan Hd.) Purchase<br>locally                      |
| 17    | 518305001   | 1   |       | Brake Band Cover   |
| 18    | 671095001   | 1   | /P    | Roll Pin (Big)   |
| 19    | 671087001   | 4   |       | Spacer Insert  |
| 20    | 631063001   | 1   | S     | Chain Brake Band Kit   |
| 21    | 660964001   | 2   |       | Screw (10-24 X 19.5 mm) Purchase locally                             |
| 22    | 678744002   | 2   |       | Lock Nut (10-24) Purchase locally                                    |
| 23    | 671077001   | 3   | S     | Speed Nut (• -type)  |
| 24    | 660628001   | 2   | S     | Guide Bar Bolt   |
| 25    | 631034001   | 1   | S     | Spring Clip  |
| 26    | 518298001   | 1   |       | Choke Rod  |
| 27    | 570219001   | 1   |       | Grommet  |
| 28    | 300780002   | 1   | S     | Primer Assembly  |
| 29    | 900885002   | 1   |       | Throttle Cable   |
| 30    | 570227001   | 2   | S     | Split Grommet  |
| 31    | 760338001   | 1   | S     | Switch   |
| 32    | 518276001   | 1   |       | Control Panel  |
| 33    | 308823001   | 1   | S     | Chassis Assembly (Inc. Key Nos. 10, 11,<br>14-20, 23, 24, 50 and 53) |
| 34    | 671080001   | 4   | /P    | Washer   |
| 35    | 660622001   | 4   | /P    | Screw (10-24 X 2 in. Soc. Cap Hd.) Purchase<br>locally               |
| 36    | 660630001   | 1   | /P    | Screw (10-24 X 5/8 in. Torx Hd.) Purchase<br>locally                 |
| 37    | 518244001   | 1   |       | Front Handle   |
| 38    | 671100003   | 1   |       | Upper Isolator Spring  |
| 39    | 631051001   | 1   |       | Isolator Plate   |
| 40    | 518240001   | 1   |       | Handle Support   |
| 41    | 518301001   | 1   |       | Lockout Throttle   |
| 42    | 678037001   | 1   | S     | Torsion Spring   |
| 43    | 308776001   | 2   |       | Isolator Limiter   |
| 44    | 671100002   | 2   |       | Isolator Spring  |

UT10552 18in. 46cc Chain Saw  
Figure A

Page 3 of 8

| Ref # | Part Number | Qty | S/P/F | Description                           |
|-------|-------------|-----|-------|---------------------------------------|
| 45    | 518300001   | 1   |       | Trigger                               |
| 46    | 671073001   | 1   | S     | Spring                                |
| 47    | 518241001   | 1   |       | Handle Cover                          |
| 48    | 518299001   | 1   |       | Throttle Lock Pin                     |
| 49    | 638177001   | 1   |       | Retaining Ring                        |
| 50    | 671088001   | 2   | /P    | Element                               |
| 51    | 290709001   | 1   |       | Lead, Ignition Wire                   |
| 52    | 660792001   | 2   |       | Screw (9-15 x 1 in.) Purchase locally |
| 53    | 560955001   | 2   | /P    | Duck Bill Valve                       |
| 54    | 678399001   | 2   |       | Washer                                |
| 55    | 290709002   | 1   |       | Lead,ground Wire                      |
| 56    | 290709003   | 1   |       | Lead,ground Wire                      |
| 57    | 570247007   | 1   |       | Rubber Tubing (120 mm)                |
| 58    | 300953002   | 1   |       | Ignition Module                       |
| 59    | 570247008   | 1   |       | Rubber Tubing (222 mm)                |

HOMELITE 18 in. 46cc CHAIN SAW – MODEL NUMBERS UT10552

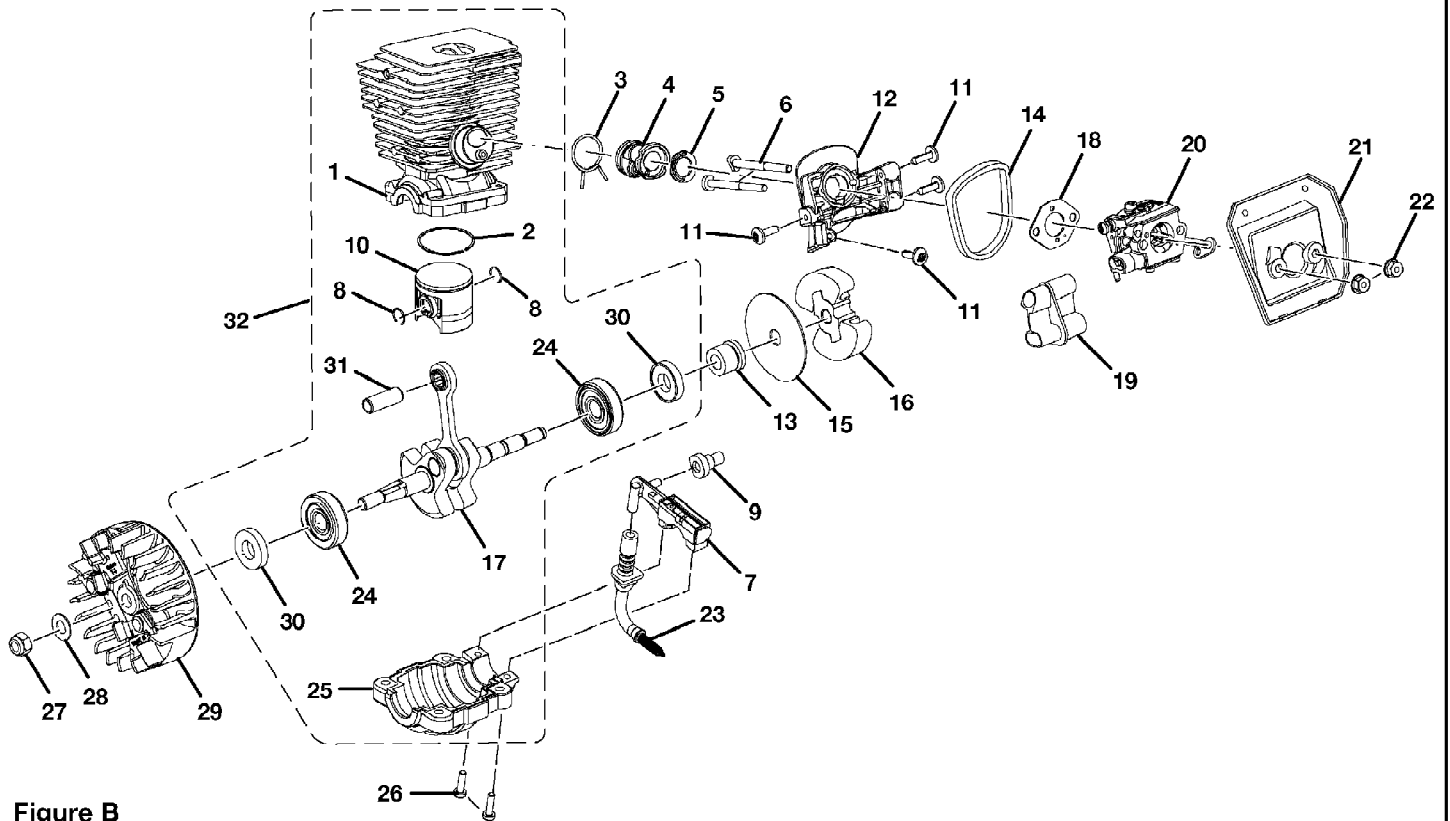
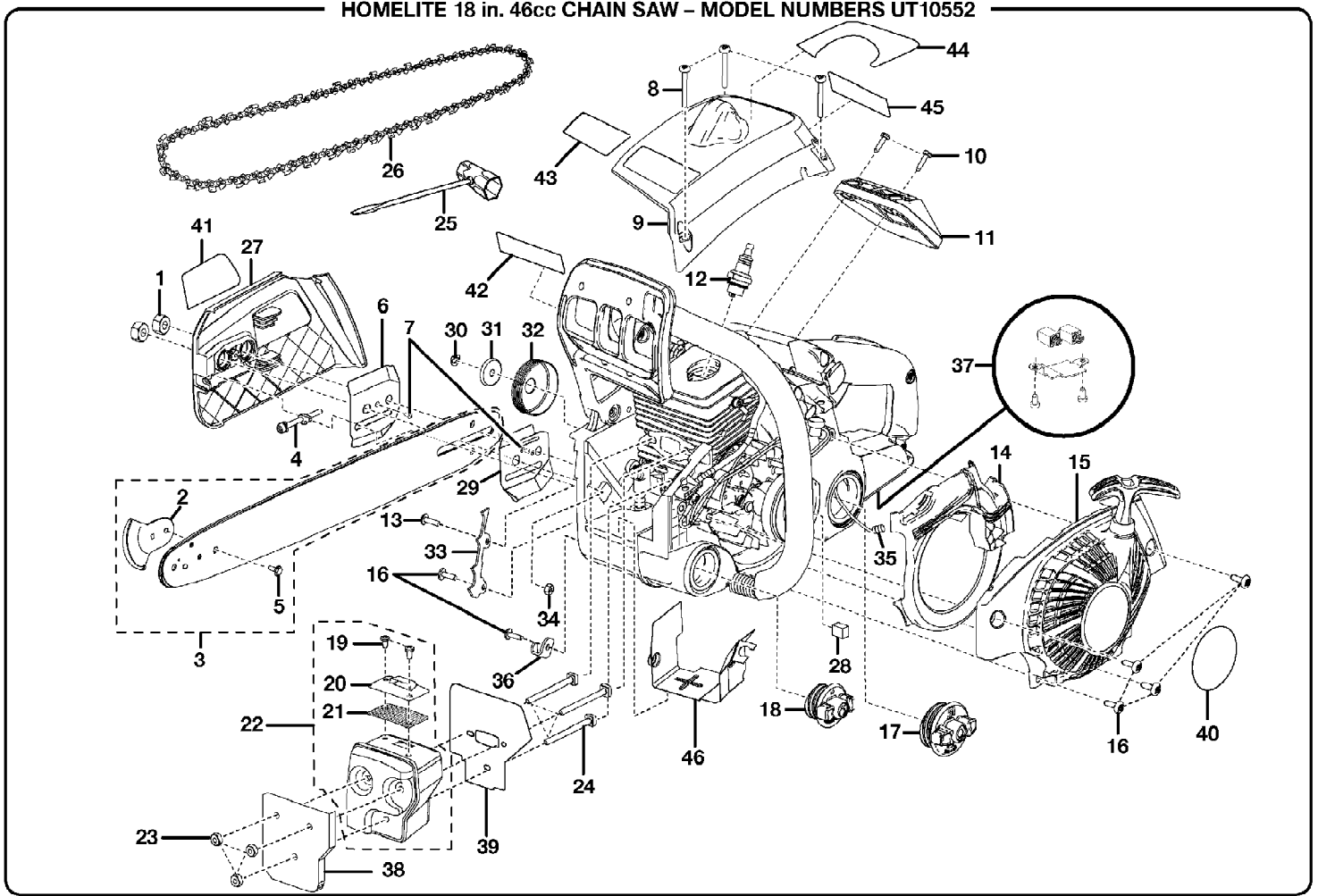


Figure B

UT10552 18in. 46cc Chain Saw  
Figure B

Page 5 of 8

| Ref # | Part Number | Qty | S/P/F | Description  |
|-------|-------------|-----|-------|--|
| 1     | 640982004   | 1   |       | Cylinder   |
| 2     | 678182001   | 1   |       | Piston Ring  |
| 3     | 671168001   | 1   |       | Wire Clamp   |
| 4     | 570662001   | 1   |       | Intake Boot Rubber   |
| 5     | 518490001   | 1   |       | Carburetor Plate   |
| 6     | 660879001   | 2   |       | Screw (10-24 x 2-1/4 in.) Purchase locally                                 |
| 7     | 300945001   | 1   | S     | Oil Pump Assembly  |
| 8     | 678183001   | 2   |       | Retaining Ring   |
| 9     | 570597001   | 1   |       | Oil Outlet Grommet   |
| 10    | 640975002   | 1   |       | Piston (46cc)  |
| 11    | 660632001   | 4   | S     | Screw (10-14 x 5/8 in. Torx Pan Hd.)<br>Purchase locally                   |
| 12    | 518245001   | 1   |       | Carburetor Spacer  |
| 13    | T610389001  | 1   | /P    | Left Hand Worm   |
| 14    | 570577001   | 1   |       | Spacer Seal  |
| 15    | 631061001   | 1   | S     | Thrust Washer  |
| 16    | 300960003   | 1   | /P    | Clutch Assembly  |
| 17    | 308290001   | 1   |       | Crankshaft Assembly  |
| 18    | 900843001   | 1   | S/P   | Carburetor Gasket  |
| 19    | 518312001   | 1   |       | Carburetor Grommet   |
| 20    | 308370001   | 1   |       | Carburetor Assembly  |
| 21    | 518360001   | 1   |       | Air Filter Plate   |
| 22    | 678033001   | 2   | S     | Flange Nut (10-24) Purchase locally  |
| 23    | 308291001   | 1   |       | Oil Intake Tube with Spring  |
| 24    | 308007001   | 2   |       | Bearing Case with Bearing  |
| 25    | 640957001   | 1   |       | Crankcase  |
| 26    | 660627001   | 2   | S     | Screw (8-32 X 5/8 in. Pan Hd.) Purchase<br>locally                         |
| 27    | 678123001   | 1   | /P    | Nut (5/16-24) Purchase locally   |
| 28    | 631049001   | 1   | S/P   | Flat Washer  |
| 29    | 308631001   | 1   |       | Rotor Assembly   |
| 30    | 570220001   | 2   | /P    | Shaft Seal   |
| 31    | 620392001   | 1   |       | Piston Pin   |
| 32    | 300984004   | 1   |       | Short Block Assembly (Inc. Key Nos. 1, 2, 8,<br>10, 17, 24, 25, 30 and 31) |



| Ref # | Part Number | Qty | S/P/F | Description   |
|-------|-------------|-----|-------|---|
| 1     | 671076001   | 2   | /P    | Guide Bar Nut (5/16-18)                               |
| 2     | 308006003   | 1   |       | SAFE TIP  |
| 3     | 308626001   | 1   |       | Guide Bar (16 in.) (Incl. Key Nos. 2 and 5)           |
| 4     | 308116002   | 1   |       | Guide Bar Adjustment Assembly                         |
| 5     | 660640001   | 1   |       | SAFE-T-TIP (Screw and Washer)                         |
| 6     | 638173001   | 1   |       | Outer Guide Plate                                     |
| 7     | 660619002   | 2   |       | Screw (6-19 x 1/2 in. T.F.) Purchase locally          |
| 8     | 660636001   | 3   | /P    | Screw (10-16 x 1-1/2 in. Special) Purchase locally    |
| 9     | 518238001   | 1   |       | Top Cover   |
| 10    | 660617001   | 2   | S     | Screw (8-16 x 16 mm Torx T.F.) Purchase locally       |
| 11    | 518306001   | 1   |       | Air Filter Cover                                      |
| 12    | 870174001   | 1   | /P    | Spark Plug (Champion RCJ6Y)                           |
| 13    | 660868001   | 1   |       | Screw (10-24 x 5/8 in. Torx Pan Hd.) Purchase locally |
| 14    | 518283001   | 1   |       | Baffle  |
| 15    | 308383001   | 1   |       | Starter Cover Assembly                                |
| 16    | 660632001   | 6   | S     | Screw (10-14 x 5/8 in. Torx Pan Hd.) Purchase locally |
| 17    | 308362001   | 1   |       | Fuel Cap Assembly                                     |
| 18    | 308363001   | 1   |       | Oil Cap Assembly                                      |
| 19    | 660624001   | 2   | S     | Screw (8-32 x 5/16 in.) Purchase locally              |
| 20    | 638148001   | 1   |       | Plate   |
| 21    | 638147001   | 1   |       | Spark Screen  |
| 22    | 300940005   | 1   |       | Muffler Assembly (Incl. Key Nos. 19-21)               |
| 23    | 671079001   | 3   | /P    | Lock Nut (10-32) Purchase locally                     |
| 24    | 660765001   | 3   |       | Bolt (10-32 x 63.6 mm Square Hd.) Purchase locally    |
| 25    | 308369001   | 1   |       | Combination Wrench                                    |
| 26    | 900920007   | 1   |       | Chain   |
| 27    | 308364001   | 1   |       | Chain Cover Assembly                                  |
| 28    | 900844002   | 1   |       | Pre-Filter  |
| 29    | 638169001   | 1   |       | Inner Guide Plate                                     |
| 30    | 671103001   | 1   | S     | E-Ring  |
| 31    | 631060001   | 1   | S     | Cupped Washer   |
| 32    | 300958002   | 1   |       | Sprocket Drum & Bearing Assembly                      |
| 33    | 638176001   | 1   |       | Bumper Spike  |
| 34    | 678744002   | 1   |       | Lock Nut (10-24) Purchase locally                     |
| 35    | 300759003   | 1   | S     | Fuel Filter   |
| 36    | 631035001   | 1   | S     | Chain Guard   |
| 37    | 120640001   | 1   |       | Tool Holder Assembly                                  |
| 38    | 638041002   | 1   |       | Heat Shield   |
| 39    | 900977003   | 1   |       | Muffler Gasket  |
| 40    | 940718001   | 1   |       | Starter Housing Decal                                 |
| 41    | 940635002   | 1   |       | Clutch Cover Label                                    |
| 42    | 940634001   | 1   |       | Chain Brake Label                                     |
| 43    | 940661002   | 1   |       | Warning Label   |
| 44    | 940632001   | 1   |       | Starting Instruction Decal                            |
| 45    | 940964002   | 1   |       | Icon Warning Label                                    |
| 46    | 638381001   | 1   |       | Heat Shield   |

UT10552 18in. 46cc Chain Saw  
General Assembly

Page 8 of 8

| Ref # | Part Number | Qty | S/P/F | Description                   |
|-------|-------------|-----|-------|-------------------------------|
|       | 580656001   | 1   |       | Scabbard (Not Shown)          |
|       | 983000736   | 1   |       | Operator's Manual (961027002) |
|       | 983000736R  | 1   |       | Repair Sheet (Rev:00)         |