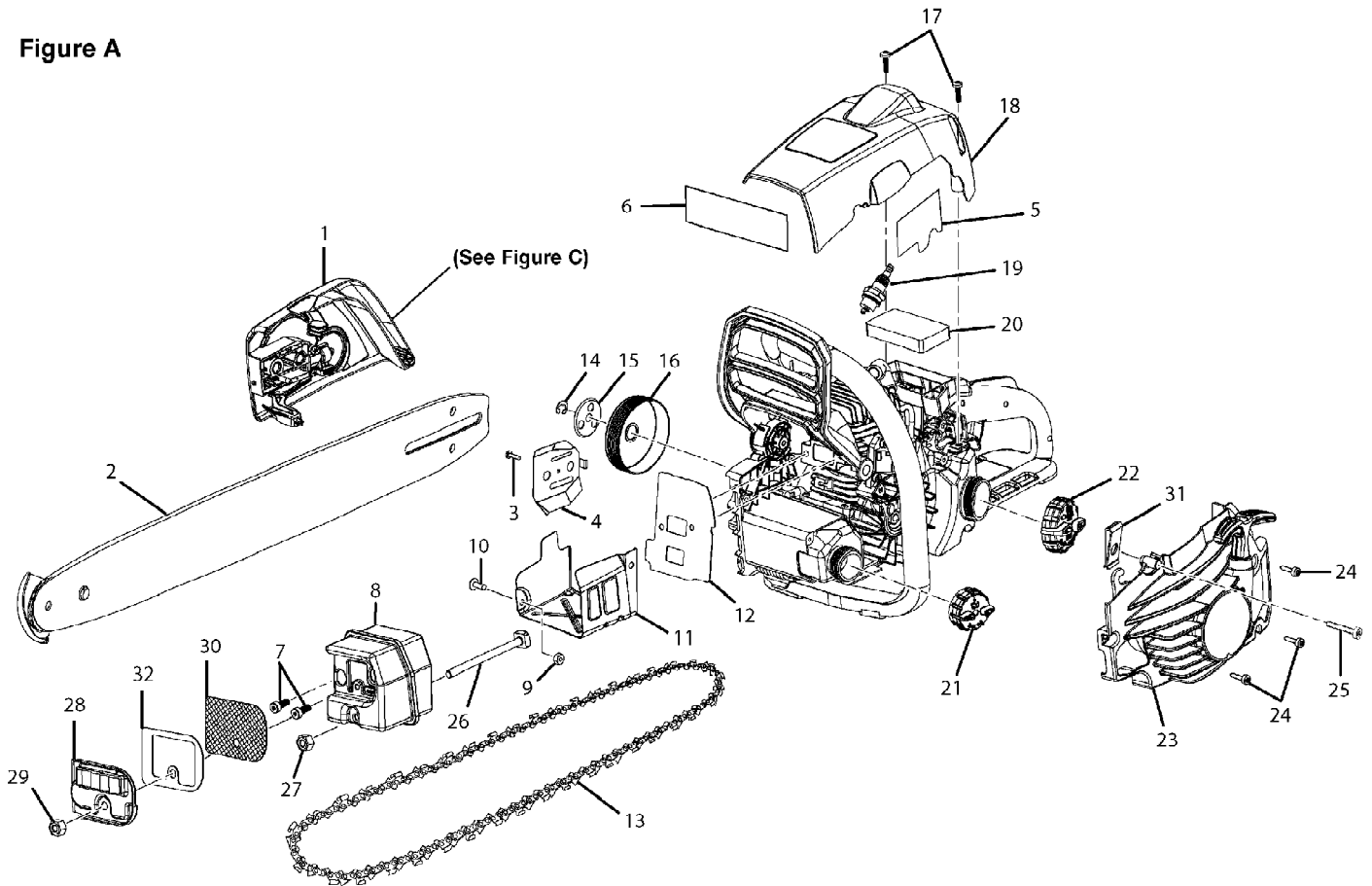


HOMELITE 35cc/38cc/42cc CHAIN SAWS MODEL NOs. UT10540, UT10542,
UT10560, UT10562, UT10580, UT10582 & UT10918 (ALL VERSIONS)

Figure A



UT10540 14 in. 35cc Chain Saw
Figure A

Page 2 of 10

Ref #	Part Number	Qty	S/P/F	Description
1	310508001	1		Chain Cover Assembly
2	310625001	1	S	Guide Bar (with SAFE-T-TIP): - 14 in. UT10540, UT10542
	310626001	1	S	Guide Bar (with SAFE-T-TIP): - 16 in. UT10560, UT10562
	310627001	1	S	Guide Bar (with SAFE-T-TIP): - 18 in. UT10580, UT10582, UT10918
3	660619001	1		Screw (6-19 x 1/2 in.)
4	638515001	1		Inner Guide Plate
5	700150004	1		Heat Shield
6	700150002	1		Heat Shield
7	660612001	2		Screw (1/4-20 x 5/8 in.)
8	309315001	1		Muffler Assembly
9	678027001	1	S	Lock Nut (10-24)
10	660754001	1		Screw (10-24 x 5/8 in.)
11	638278001	1		Heat Shield
12	901653001	1		Muffler Gasket
13	901212001	1	S	Chain (3/8 in.): - 52 link, 14 in. UT10540, UT10542
	901212002	1	S	Chain (3/8 in.): - 56 link, 16 in. UT10560, UT10562
	671258001	1	S	Chain (3/8 in.): - 62 link, 18 in. UT10580, UT10582, UT10918
14	671103001	1	S	E-Clip
15	678620001	1		Clutch Washer
16	309410001	1		Sprocket Drum and Bearing Assembly (.375 chain)
17	660504001	2		Screw (10-16 x 16 mm)
18	518776001	1		Cylinder Cover
19	870170001	1		Spark Plug (Champion RCJ4)
20	901652001	1		Air Filter
21	310560001	1		Oil Cap Assembly
22	310561004	1		Fuel Cap Assembly
23	310502001	1		Starter Cover Assembly
24	660505001	3		Screw (M4 x 17 mm)
25	660548001	1		Screw (10-16 x 24 mm, T25 Torx)
26	660626002	1		Screw (#10-32 x 2.8)
27	671079001	1	/P	Nut (#10-32)
28	638513003	1		Exhaust Cover
29	678065002	1		Nut, Muffler
30	638514002	1		Screen
31	671077004	1		U-Nut
32	901653004	1		Exhaust Cover Gasket
	580438003	1		Scabbard: - 14 in. Not Shown UT10540, UT10542
	518061003	1		Scabbard: - 16 in. Not Shown UT10560, UT10562

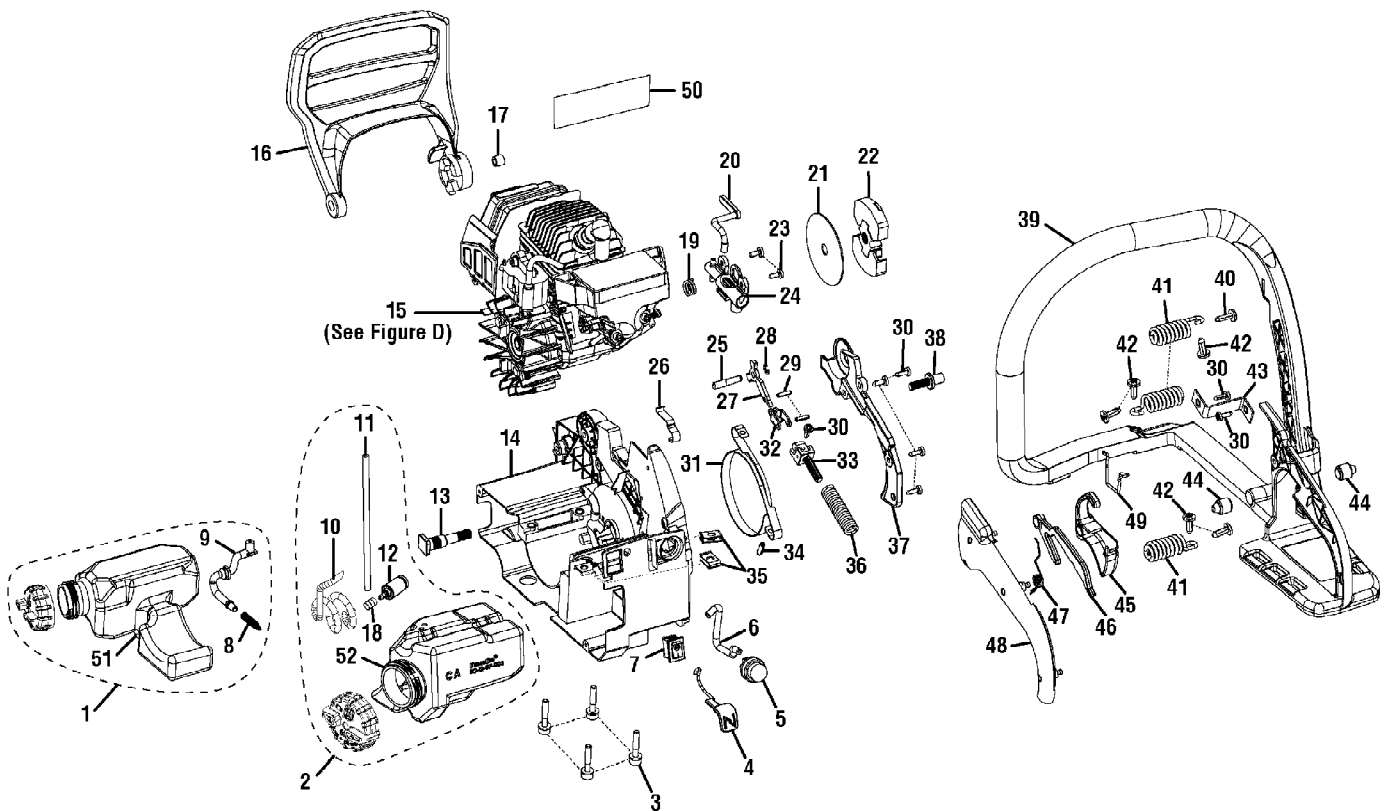
UT10540 14 in. 35cc Chain Saw
Figure A

Page 3 of 10

Ref #	Part Number	Qty	S/P/F	Description
	518061001	1		Scabbard: - 18 in. Not Shown UT10580, UT10582, UT10918
	940656013	1		Starter Cover Labels: - 35 cc Not Shown UT10540, UT10542
	940635044	1		Starter Cover Labels: - 38 cc Not Shown UT10560, UT10562
	940635045	1		Starter Cover Labels: - 45 cc Not Shown UT10580, UT10582, UT10918
	940777002	1		Warning Labels: - 35 cc Not Shown UT10540, UT10542
	940777003	1		Warning Labels: - 38 cc Not Shown UT10560, UT10562
	940777004	1		Warning Labels: - 42 cc Not Shown UT10580, UT10582, UT10918
	940797038	1		Warning Labels: - 35 cc Not Shown UT10540, UT10542
	940797039	1		Warning Labels: - 38 cc Not Shown UT10560, UT10562
	940797040	1		Warning Labels: - 42 cc Not Shown UT10580, UT10582, UT10918
	940734033	1		Starting Instruction Label Not Shown
	940793001	1		Chain Brake Label Not Shown
	631055001	1	S	Combination Wrench Not Shown (UT10526 only)
	987000339	1		Operator's Manual (960404001) Not Shown

HOMELITE 35cc/38cc/42cc CHAIN SAWS MODEL NOS. UT10540, UT10542,
UT10560, UT10562, UT10580, UT10582 & UT10918 (ALL VERSIONS)

Figure B



UT10540 14 in. 35cc Chain Saw
Figure B

Page 5 of 10

Ref #	Part Number	Qty	S/P/F	Description
1	310550001	1		Oil Tank & Cap Assembly (Inc. Key Nos. 8-9 and 51)
2	310551001	1		Fuel Tank & Cap Assembly (Inc. Key Nos. 10-12, 18 and 52)
3	660609001	4		Screw (M5 x 28 mm)
4	518760001	1		Choke Lever
5	300780002	1	S	Primer Bulb
6	570247013	1		Primer Bulb Inlet Tube
7	760338002	1		Switch
8	671090001	1		Cone Spring
9	570097001	1		Oil Pump Inlet Tube
10	570259012	1		Fuel Line Inlet
11	570247014	1		Fuel Line (L=210 mm)
12	300759005	1		Fuel Filter
13	660503001	1		Guide Bar Bolt (M8 x 42.3 mm)
14	310501001	1		Main Chassis
15	309643001	1		Engine Assembly
16	518756001	1		Front Hand Guard
17	678602001	1		Hand Guard Insert
18	690765001	1	/P	Hose Clamp
19	678063001	1		Oil Pump Gear Spring
20	570096001	1		Oil Pump Outlet Tube
21	638504001	1		Thrust Washer
22	310510001	1		Clutch Assembly
23	660610001	2		Screw (M4 x 9.5 mm)
24	309514001	1		Oil Pump Assembly
25	678054001	1		Chain Brake Pin
26	678061001	1		Spring
27	678060001	1		Chain Break Pivot
28	671075001	1	S	E-Ring
29	671099001	2	S	Spring Pin
30	660608001	7		Screw (M4 x 12 mm)
31	638502001	1		Brake Band
32	678058001	1		Chain Brake Linkage
33	518754001	1		Spring Guide
34	671095001	1	/P	Spring Pin
35	671077003	2		Speed Nut (â€œUâ€• -Type)
36	678057001	1		Chain Brake Spring
37	518819001	1		Chain Brake Cover
38	678056001	1		Bar Bushing
39	518755001	1		Rear Handle
40	660630001	1	/P	Screw (10-24 x 5/8 in.)
41	678069001	3		Isolator Spring
42	660614001	5		Screw (10-14 x 16 mm)
43	901654001	1		Anti-Vibe Strap
44	570095001	2		Isolator
45	518765001	1		Trigger
46	518764001	1		Lock-Out Lever
47	678068001	1		Trigger Return Spring
48	518763001	1		Rear Handle Cover
49	678603001	1		Throttle Rod
50	700150003	1		Heat Shield

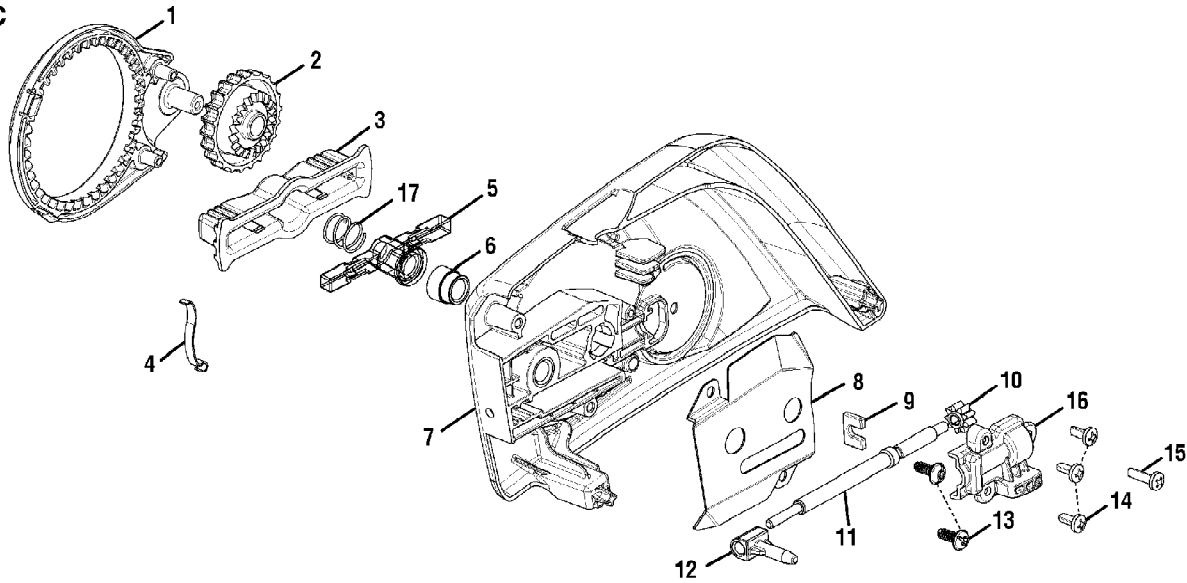
UT10540 14 in. 35cc Chain Saw
Figure B

Page 6 of 10

Ref #	Part Number	Qty	S/P/F	Description
51	580506001	1		Oil Tank
52	580507001	1		Fuel Tank

**HOMELITE 35cc/38cc/42cc CHAIN SAWS MODEL NOS. UT10540, UT10542,
UT10560, UT10562, UT10580, UT10582 & UT10918 (ALL VERSIONS)**

Figure C



UT10540 14 in. 35cc Chain Saw
Figure C

Page 8 of 10

Ref #	Part Number	Qty	S/P/F	Description
1	518796001	1		Clutch Cover Ring
2	518767001	1	/P	Adjustment Knob
3	518769001	1		Cover Knob
4	638246002	1		Lock Spring Plate
5	678618002	1		Tension Nut
6	678056002	1		Bushing
7	518773001	1		Clutch Cover
8	638524001	1		Guide Bar Plate
9	678616001	1		Thrust Washer
10	610711001	1		Chain Adjustment Gear
11	678072001	1		Adjustment Rod
12	678071001	1		Adjustment Pin
13	660922001	2		Screw (4-18 x 10 mm)
14	660507001	3		Screw (6-19 x 8 mm)
15	660619001	1		Screw (6-19 x 1/2 in.)
16	518857001	1		Gear Cover
17	678057002	1		Spring

HOMELITE 35cc/38cc/42cc CHAIN SAWS MODEL NOS. UT10540, UT10542,
UT10560, UT10562, UT10580, UT10582 & UT10918 (ALL VERSIONS)

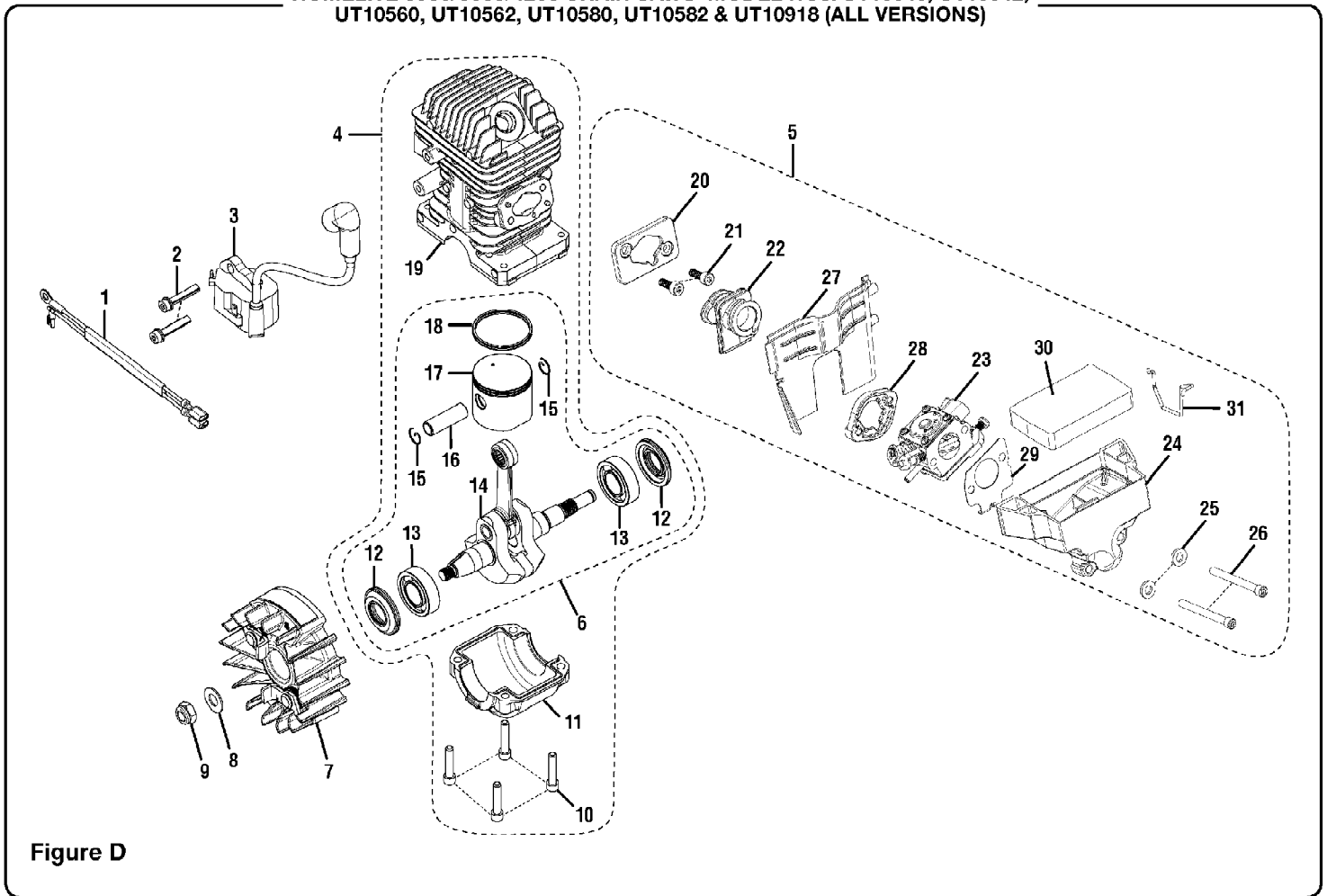


Figure D

UT10540 14 in. 35cc Chain Saw
Figure D

Page 10 of 10

Ref #	Part Number	Qty	S/P/F	Description
1	290298001	1		Ignition Switch Harness
2	660613001	2		Bolt (M5 x 25.4 mm)
3	309261001	1		Ignition Module
4	309892001	1		Short Block Assembly (Inc. Key Nos. 10-19)
5	310503001	1		Intake Assembly (Inc. Key Nos. 20-31)
6	310041001	1		Crankshaft & Piston Assembly (Inc. Key Nos. 12-18 and page 3, key no. 20)
7	309010001	1		Flywheel Assembly
8	631049001	1	S/P	Washer
9	678067001	1		Flywheel Nut
10	660607001	4		Screw (M5 x 24 mm)
11	640251001	1		Crankshaft Case
12	570090001	2		Crankshaft Seal
13	678048001	2		Ball Bearing
14	309163001	1		Crankshaft & Rod Assembly
15	678053001	2		Spring Retainer
16	620579001	1		Piston Pin
17	309110001	1		Piston
18	690161001	2		Piston Ring
19	640202002	1		Cylinder
20	678695001	1		Press Plate, Cylinder
21	661600001	2		Bolt (M5 x 14 mm)
22	570757001	1		Intake Boot
23	309362001	1		Carburetor
24	518762001	1		Air Filter Box
25	671080001	2	/P	Washer
26	661600002	2		Bolt (M5 x 50 mm)
27	518771001	1		Heat Dam
28	678694001	1		Press Plate, Carb
29	638528002	1		Carb Bracket
30	901652001	1		Air Filter
31	678603001	1		Throttle Rod