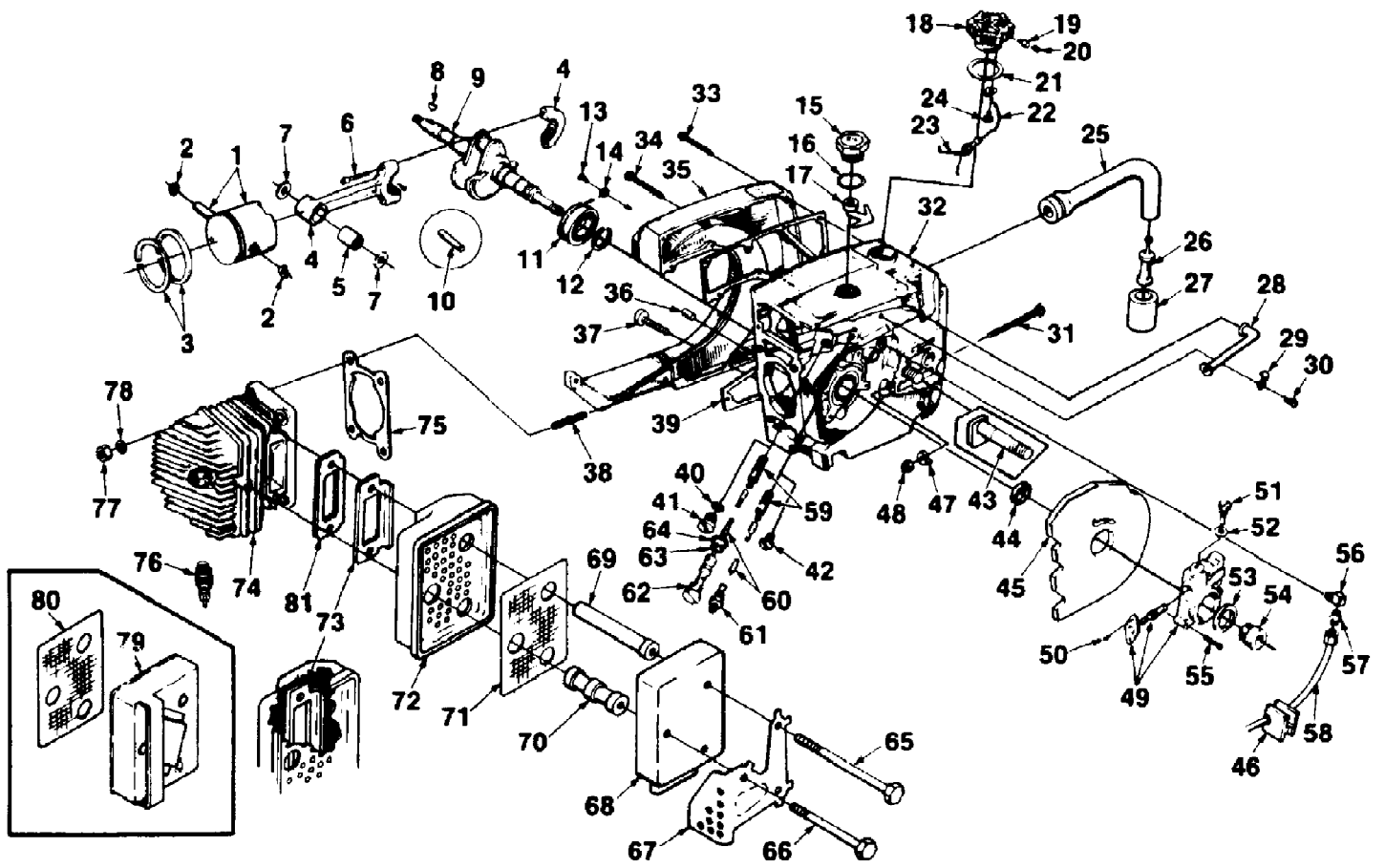


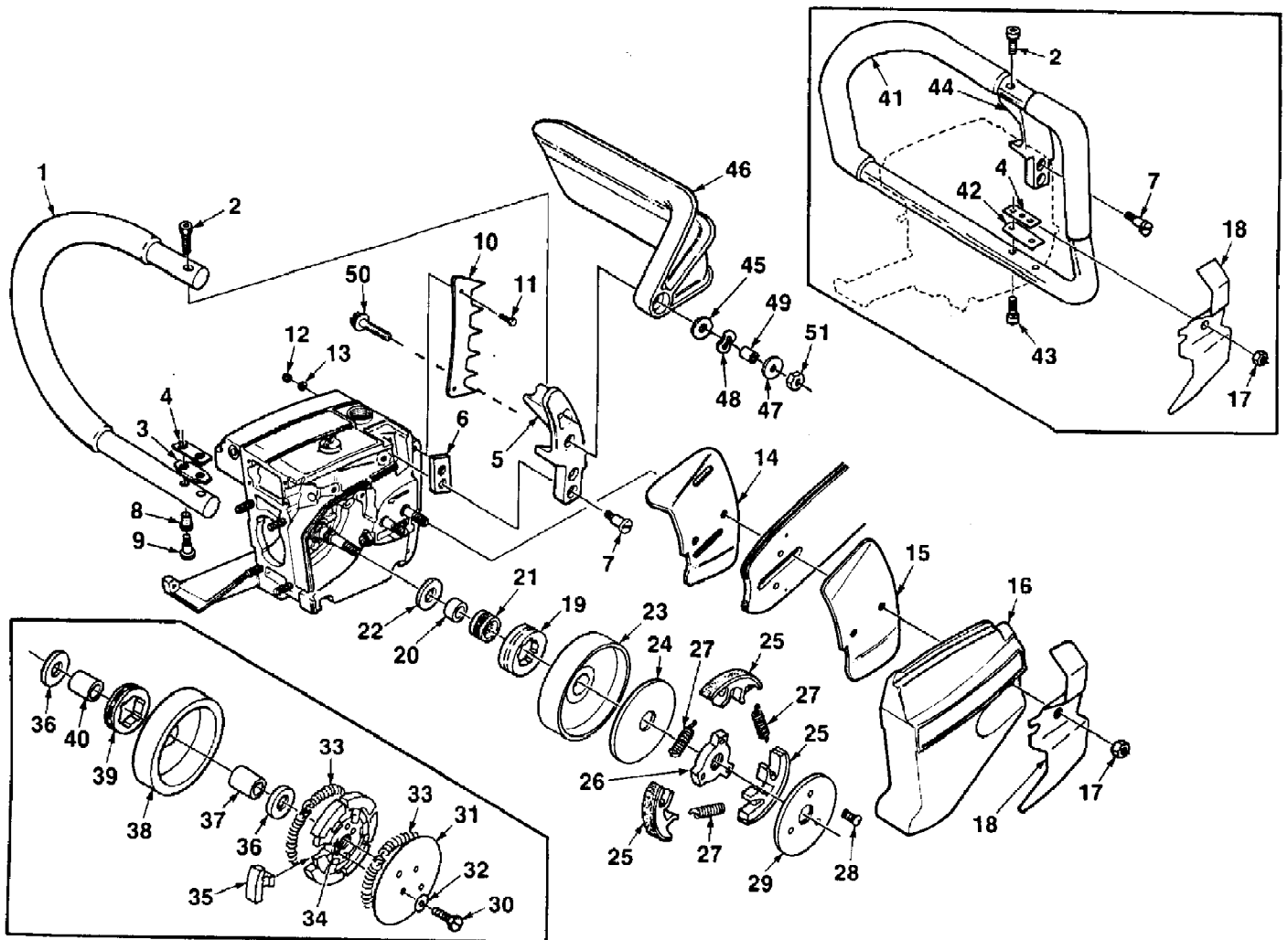
Ref #	Part Number	Qty	S/P/F	Description
1	63370A	1	/P	RETAINER- Reed valve
2	63166A	4		VALVE- Reed
3	63371B	1		SEAT- Reed valve
4	65483	1		GASKET- Reed valve seat
5	A674601	1		MANIFOLD- Intake
6	82174	2	S	SCREW- Pan hd., 8-32 x 1 1/4
7	82173	1	S	SCREW- Pan hd., 8-32 x 1
8	67540	1		GASKET- Carburetor
9	A69812A	1	S	CARBURETOR
10	69751	1		GROMMET- Hi-Lo
11	83046	2		WASHER- Lock #10
12	82179	2		SCREW- Hex hd. 10-32 x 1 7/8
13	63266A	1		ROD- Throttle
14	58348	1		BOOT- Throttle rod
15	A67639	1		NUT- Cover mounting
16	A694142	1		COVER- Air filter element
17	58319A	1	/P	RING- Retaining
18	69880	1		FILTER ELEMENT- Air
19	80821	1	/P	SCREW- Hex hd. 12-24 x 1/2
20	A67101A	1		BRACKET- Air filter
21	583921	1		GASKET- Mounting nut
22	70189	1		DEFLECTOR- Air
23	95671	1	S	PIN- Throttle latch
24	58405	1		SPRING- Throttle latch
25	58409	1	/P	RING- Retaining
26	65745	1		TRIGGER- Throttle
27	65719	1		PIN- Throttle latch adjusting
28	86324	1	/P	PIN- Cotter
29	A68429	1	S	ROD- Choke
30	64862	1	/P	GROMMET
31	A68025D	1	/P	HANDLE- Throttle
	68445	1		BUSHING (not shown)
32	68767	1		GRIP- Throttle handle
33	68768	1	/P	GRIP- Throttle handle cover
34	80560	2	/P	SCREW- Pan hd. 8-32 x 1/2
35	A69045	1	/P	COVER- Throttle handle
	59064	1		BUSHING- Nylon (not shown)
36	68046	1		GROMMET- Fuel line
37	65718B	1	S	LINE- Fuel
38	63622	1		BUTTON- Oil pump plunger
39	A5783416	1		PLUNGER- Oil pump
40	59074	1	/P	"O" RING- Shaft
41	74388	1	S	"O" RING- Plunger
42	59293	1	/P	SPRING- Compression
43	633435	1		BODY- Oil pump
44	80568	2		SCREW- Hex hd. 3-32 x 7/8
45	80891	1	/P	SCREW- Hex hd. 12-24 x 7/8
46	80676	4	/P	SCREW- Hex hd. 12-24 x 5/8
47	63779C	1		GASKET- Throttle handle
48	637781	1		GASKET- Cylinder (Fig 2)
49	800232	1		SCREW- Fil. hd. 8-32 x 5/8
50	656601	1		CLAMP- Oil line
51	A65705	1		LINE- Oil (intake)

Ref #	Part Number	Qty	S/P/F	Description
52	80571	4	/P	SCREW- Pan hd. 6-32 x 3/8
53	81126	2		NUT- Lock 6-32
54	65357	1		GROMMET- Oil line
55	655131	1		CLAMP- Oil line
56	A65682	1		LINE- Oil (discharge)
57	A65502	1		VALVE- Check
	25527	1		BALL- (not shown)
58	A65515	1		VALVE- Check
	25527	1		BALL- (not shown)
	59022	1		SPRING- (not shown)



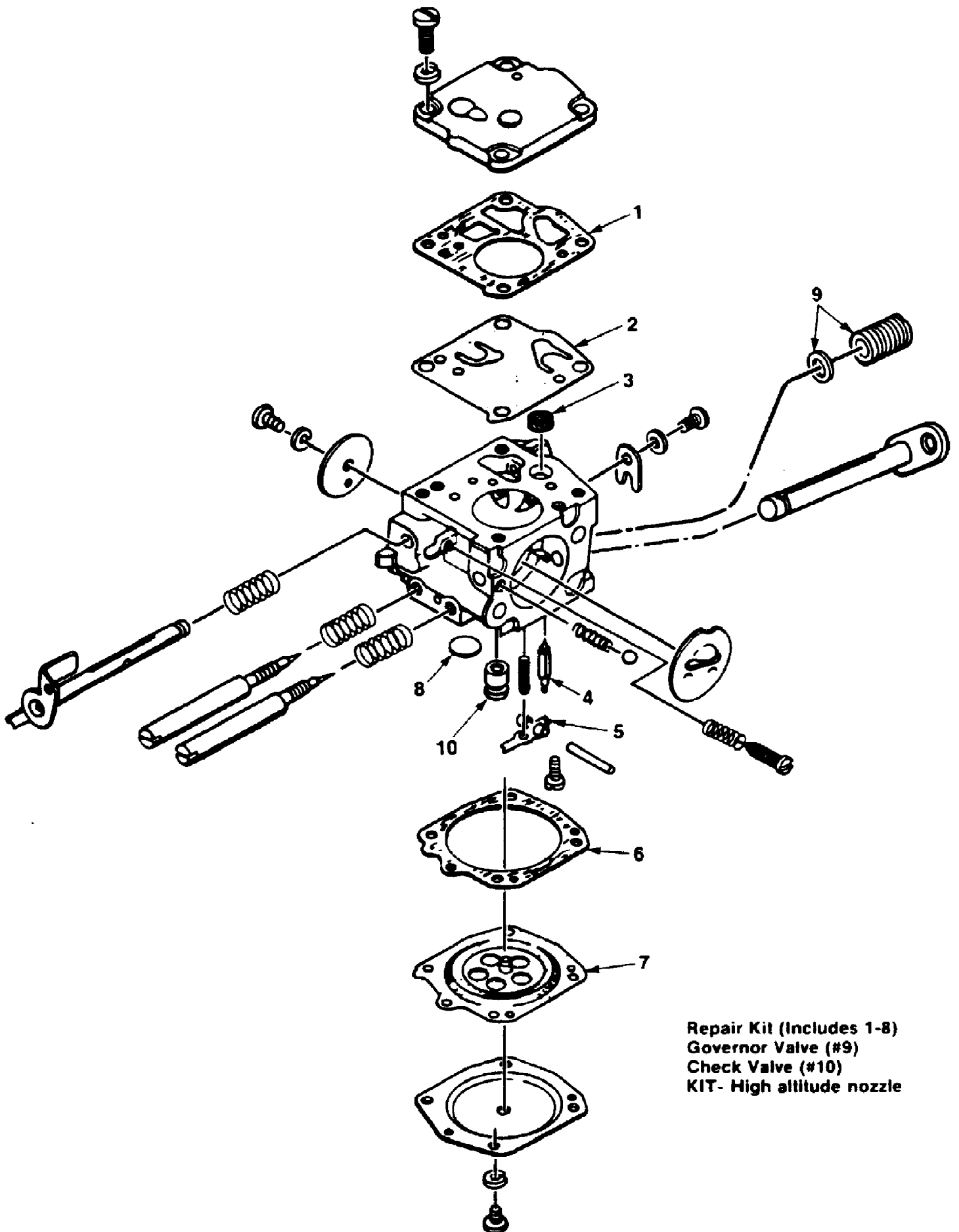
Ref #	Part Number	Qty	S/P/F	Description
1	A69467	1		PISTON & PIN
2	64742	2		RING- Piston pin retaining
3	69452	2	/P	PISTON RING
4	A69658A	1	/P	ROD- Connecting
5	69638	1	S	BEARING- Needle
6	69919	2	/P	SCREW- Soc hd. 8-32 x 9/16
7	68010	2		WASHER- Thrust
8	75078	1		KEY- Woodruff
9	671683	1		CRANKSHAFT
10	A69056	1	/P	BEARING- Needle (set of 28)
11	58190S	1	S	BEARING- Ball
12	58319A	1	/P	RING- Retaining
13	70306	2		SCREW- Bearing retaining
14	59705	2		WASHER- Lock
15	A65284B	1		CAP- Oil filler
16	69834	1		GASKET- Oil cap
	69451	1	/P	VALVE- Check duck bill (not shown)
17	68750	1		RETAINER
18	A69500A	1	S	CAP- Fuel filler
19	69451	1	/P	VALVE- Check (oval duckbill)
20	69454	1	/P	FILTER- Filler cap
21	69501	1	/P	GASKET- Fuel cap
22	69502	1		CHAIN- Bead
23	69503	1	S	RETAINER
24	82256	1	S	SCREW- Pan hd., plastite 6 x 1/4
25	65593A	1	S	LINE- Fuel
26	A69923	1	S	FILTER- Fuel
27	64083	1		FILTER- Felt
28	67080	1		CONNECTOR- Fuel line
29	655971	1		CLAMP- Fuel line
30	80605	1		SCREW- Pan hd. 6-32 x 5/16
31	63367	1		SCREW- Guide bar adjusting
32	A68023B	1		CRANKCASE
	65144	1		GASKET- Check valve (not shown)
	65143	1		CAP- Check valve (not shown)
33	82358	6		SCREW- Fil. hd., 8-32 x 5/8
34	95725	8		SCREW- Fil. hd., 8-32 x 2 3/16
35	671532	1		COVER- Fuel tank
36	63621	1		PIN- Dowel
37	82147	1	/P	SCREW- Fil. hd. 8-32 x 1 3/4
38	55871	4	S	STUD
39	67159	1		GASKET- Fuel tank
40	58138	1		WASHER
41	63115	1		CAP- Oil pump
42	28097	1		PLUG- Pipe
43	67158	2		BOLT- Guide bar
44	12282A	1	S	SEAL
45	A64715	1	S	SHIELD- Sawdust
46	65357	1		GROMMET- Oil line
47	93039	1	/P	PIN- Guide bar adjusting
48	81204	1	/P	NUT- Gripco
49	A68265A	1	S	PUMP- Automatic oil
50	80919	2		SCREW- Pan hd. 4-40 x 1/4

Ref #	Part Number	Qty	S/P/F	Description
51	64102A	1		SCREW- Cam
52	59736	1		GASKET- Cam screw
53	59926	1	S	SEAL- Felt
54	59675	1		WORM- Gear
55	82248	3		SCREW- Fil hd. 8-32 x 3/4
56	31734	1		CONNECTOR- Elbow
57	65696	1		FITTING- Tube
58	A65682	1		LINE- Oil (discharge)
59	A64293	2		FILTER- Oil
60	64356	2		LINE- Oil pick-up
61	65695	1		CONNECTOR- Oil filter
62	63452A	1		TUBE- Oil line
63	58406	1		"O" RING
64	63751	1		GASKET- Oil line tube
	A69864C	1	/P	MUFFLER- Downdraft (complete)
65	82280	2		SCREW- Hex hd. cap 1/4-20 x 3
66	95885	1		SCREW- Hex hd. 1/4-20 x 2 3/8
67	69842	1		SHIELD- muffler
68	A698361	1		CAP- Muffler (SXL-925)
69	69843	2		SUPPORT- Muffler (long)
70	69844	1		SUPPORT- Muffler (short)
71	A93900A	1		SCREEN- Spark arrestor
72	A698381	1		BODY- Muffler
73	69839	1		PLATE- Muffler body
74	A42206A	1	S	CYLINDER- 2 1/16" bore
75	637781	1		GASKET- Cylinder
	80402	3	S	SCREW Hex hd. cap 1/4-20 x 5/8 (not shown)
76	93561S	1	S	SPARK PLUG CJ-6Y Champion (after Lot #C-246)
76	63547S	1	/P	SPARK PLUG- C-J6 Champion (prior to Lot #C-246)
	69027S	1	/P	SPARK PLUG- C-J4 Champion (opt) (colder plug)
77	810652	4	S	NUT- Hex 1/4-28
78	83009	4	/P	WASHER- Lock, 1/4
79	A94119	1		KIT- Muffler temperature ("SXL-925W")
80	A93900A	1		SPARK ARRESTOR
81	78098	1		GASKET- Muffler



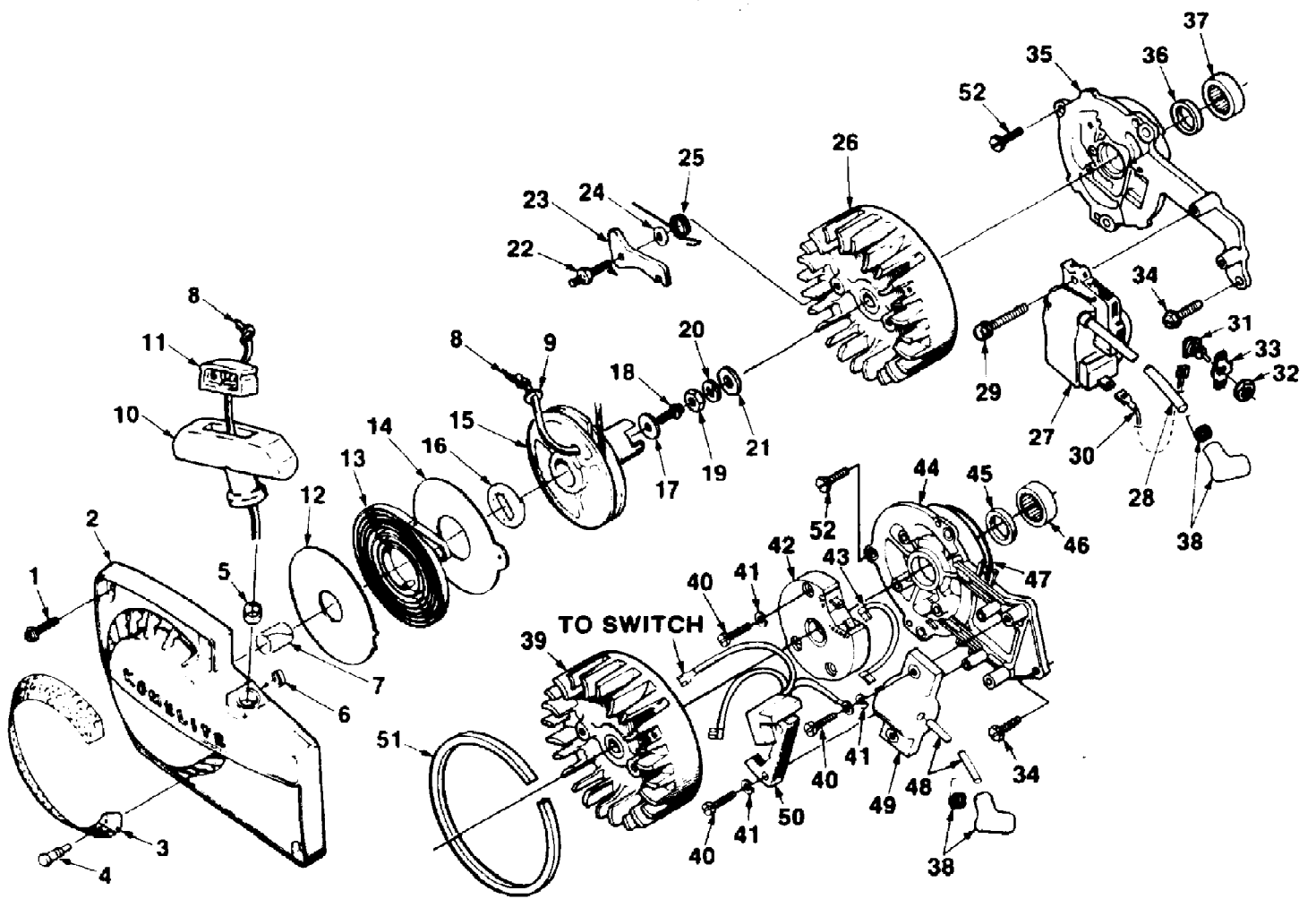
Ref #	Part Number	Qty	S/P/F	Description
1	A69034	1	/P	HANDLE BAR- Flush cut (rubber cover)
2	82259	1		SCREW- Fil, hd., 1/4-20 x 1
3	68765	1		SPACER- Handle bar
4	65599	1		PLATE- Handle bar
5	A70289A	1		BRACKET- Handle bar (flush cut)
6	65598A	1		PLATE- Handle bar bracket
7	80867	2	/P	SCREW- 12-24 x 3/4
8	65518	2		GROMMET- Handle bar
9	65520	2		SCREW- Shoulder
10	A63720	1		KIT- Spiked bumper
11	80867	2	/P	SCREW- Hex hd., 12-24 x 3/4
12	81068	2	/P	NUT- 12-24
13	83056	2		WASHER- Lock #12
	A70618	1	/P	GUIDE BAR PLATE
14	70399	1	S	PLATE- Guide bar (Inner)
15	70400	1	S	PLATE- Guide bar (outer)
16	6715614	1		COVER- Drivecase
17	810892	2	/P	NUT- Hex 3/8-16
18	680781	1		GUARD- Chain (SXL-925W)
19	63284	1		SPROCKET- 7 spline 7T-3/8 pitch 3 shoe clutch (SXL-925W)
20	64129A	1		RACE- Inner
21	64124	1	S	BEARING- Roller
22	63462	1		WASHER- Thrust (inner) for rim sprocket only)
	63463	1		WASHER- Thrust (inner) (for spur sprocket & drum)
23	A94117	1		DRUM 8. HUB (SXL-925W)
	A95631	1		SPROCKET & DRUM (for 3 shoe clutch) 3/8 7 tooth
24	93650	1	/P	WASHER- Thrust
25	A94126	3		SHOE- Clutch
26	93811	1		SPIDER- Clutch
27	93814A	3	S	SPRING- Clutch
28	93126	3	S	SCREW- Torx
	82253	3	/P	SCREW- Mach pan hd. 8-32 x 3/8" (alternate)
29	93628	1	/P	COVER- Clutch
30	803612	2		SCREW- Hex hd., 10-32 x 1/2 (opt.)
31	A24921A	1	/P	COVER- Clutch (opt.)
32	12940	2		WASHER- Belleville
33	67441	2		SPRING- Clutch (opt.)
34	657232A	1		SPIDER- Clutch (opt.)
35	697541	6		SHOE Clutch (opt.)
36	63462	2		WASHER- Thrust
37	64124	1	S	BEARING- Roller
38	A65990	1		DRUM & HUB- Rim type (opt.)
39	63284	1		SPROCKET- 3/8 pitch 7 tooth (opt.)
	63285	1		404 pitch 7 tooth (opt.)
40	64129A	1		RACE- Inner
	A94153	1		KIT- Handle- wrap-around (SXL-925W)

Ref #	Part Number	Qty	S/P/F	Description
41	A784571T	1	/P	HANDLE BAR
	680781	1		CHAIN GUARD (See Index #18)
42	688981	1		SPACER
	65599	1		PLATE (see Index #4)
43	78117	2		SCREW- 1 4-20 x 1.125
44	687664C	1		BRACKET- Handle bar
	80867	2	/P	SCREW- 12-24 x 3/4 (see Index #7)
	65598A	1		PLATE- Handle bar bracket (see index #6)
45	840651	1	S	WASHER
46	95898	1	F	HAND GUARD
47	95935	1	/P/F	WASHER
48	96757	1	F	WASHER
49	95937	1	F	SPACER
50	80945	1		SCREW- Flat hd., 12-24 x 1
51	81225	1	/P	NUT- Lock
	A65886	1		SPROCKET 8 DRUM 404 7 tooth
	A95620	1		SPROCKET 8 DRUM 3 8 7 tooth
	A65732	1		SPROCKET 8 DRUM 3 8 8 tooth



Repair Kit (Includes 1-8)
Governor Valve (#9)
Check Valve (#10)
KIT- High altitude nozzle

Ref #	Part Number	Qty	S/P/F	Description
1	95698	1	/P	Repair Kit
2	95698	1	/P	Repair Kit
3	95698	1	/P	Repair Kit
4	95698	1	/P	Repair Kit
5	95698	1	/P	Repair Kit
6	95698	1	/P	Repair Kit
7	95698	1	/P	Repair Kit
8	95698	1	/P	Repair Kit
9	70334	1		Governor Valve
10	69793	1		Check Valve
	A69819	1		Kit - High altitude nozzle



Ref #	Part Number	Qty	S/P/F	Description
1	80676	4	/P	SCREW- Hex hd. 12-24 x 5/8
2	A64504C	1	S	HOUSING- Fan
3	A64421	1	/P	SCREEN- Fan housing
4	67191	4	S	STUD- Drive
5	67177	1		BUSHING- Starter rope
6	64443	1	/P	BUSHING- Starter post
7	65830	1		BUSHING- Rewind spring
8	A93875	1	S	ROPE- Starting
9	93862	1	/P	WASHER
10	A69962B	1	/P	GRIP- Starting rope
11	70018A	1	/P	INSERT- Rope retaining
12	63566	1		SHIELD- Spring (inner)
13	63268A	1		SPRING- Rewind
14	63565A	1		SHIELD- Spring (outer)
15	A64446	1	/P	PULLEY- Rewind starter
16	94827	1	S	LOCK- Rewind spring
17	58763	1		WASHER- Retaining
18	80648	1	/P	SCREW- Hex hd. 10-32 x 1/2
19	81124	1	S	NUT- Hex 3/8-24
20	83102	1	/P	WASHER- Lock 3/8
21	84010	1	S	WASHER- Flat 3/8
22	58757E	2	/P	STUD- Pawl
23	58756	2	S	PAWL- Starter
24	70901	2	/P	WASHER- Lock #12
25	653752	2	S	SPRING- Starter pawl
26	96801	1	S	ROTOR- Magneto
27	A96798	1	S	MODULE- Ignition
28	96743	1		LEAD- High tension
29	88044	2		SCREW- Sems hex hd.
30	A94850	1	/P	LEAD- Ground
31	A576503A	1	S	SWITCH- Toggle
32	72084A1	1	S	NUT
33	12793A	1	S	PLATE- Indicating
34	802181	1	S	SCREW- 1/4-20
35	A96799	1	S	PLATE- Back
36	12282A	1	S	SEAL
37	63195	1		BEARING
38	A33055	1	/P	TERMINAL- Spark plug
39	A02480	1	/P	ROTOR- Magneto (prior to lot #C-246)
40	82178	7		SCREW- Pan 8-32 x 3/4 (prior to lot #C-246)
41	83022	7		WASHER- Lock #8 (prior to lot #C-246)
42	67162	1		MODULE- Ignition (prior to lot #C-246)
43	67167	1		LEAD- Transformer (prior to lot #C-246)
44	A67618A	1		PLATE- Back (prior to lot #C-246)
45	12282A	1	S	SEAL
46	63195	1		BEARING- Roller
47	67559	1		"O" RING
48	67166	1		LEAD- High tension (prior to lot #C-246)
49	67164A	1	S	COIL- Transformer (prior to lot #C-246)
50	67163	1		COIL- Core and generator (prior to lot #C-246)
51	67409	1		RING- Air flow (until lot #7045 only)
52	80048	3	S	SCREW- Hex cap 1/4-20 x 5/8

TOOLS

WRENCH- Spanner (3-shoe)	A-17146
WRENCH- Spanner (6-shoe)	A-23696-A
Includes:	
PIN- Spanner clutch	23717-A
BIT- Driver torx (clutch plate) 1/4 shank	24982-01
BIT- Driver torx (clutch plate) 5/16 shank	24982-02
ANVIL- Bearing disassembling (back plate)	23846-2
BIT- Pozidriv #2	24304
COLLAR- Bearing installation	22820-4
JACKSCREW- Crankshaft	A-23965
Includes	
WASHER	84035
JACKSCREW- Bearing removal (back plate)	A-23962
PLATE- Crankshaft aligning	24006-1
PLUG- Bearing and seal installation (back plate)	23956
PLUG- Bearing installation	23420
PLUG- Bearing installation (conn. rod)	23955
PLUG- Seal installation (back plate)	24302
PLUG- Seal installation (crankcase)	23957
PULLER- rotor	A-24290
SHIM- Air gap (black)	24306
SLEEVE- Bearing and shaft installation	23136-2A
SLEEVE- Seal installation (crankcase)	23972
SLEEVE- Seal protection (crankcase)	23971
WRENCH- Combination	A-22808
WRENCH- Hex socket (conn. rod)	23528
WRENCH- Spark plug removal	24094
PULLER- Back plate	A-94147
Includes	
SCREW- Hex cap (1)	80095
NUT- Hex (3)	81009

ACCESSORIES

LOCTITE	23488-B
REEL- 250 ft. starting rope #5	57084-1
KIT- Clutch conversion (3-shoe)	A-94156-A
KIT- Chain brake	A-93680
Includes	
COVER- Drivecase	70361-2
SPRING	70093-B
WASHER	12290
BAND- Brake	70346
LEVER- Brake band	12372-3
PIN- Roll	67911
SCREW	78200-A
SCREW- Pan hd 1/4-20 x 5/8	82258
BRAKE- Lever w. guard	A-12952
SCREW	12955
NUT	81204
DECAL	78290
SPROCKET & DRUM	A-95620
BRACKET	A-93682
RETAINER	93684
SCREW- Fil hd 8-32 x 7/8	80220-2
SAFE•T•TIP (Standard on units)	A-70790-A
Includes	
SCREW	82335

Ref #	Part Number	Qty	S/P/F	Description
A-17146	A17146	1	S	WRENCH- Spanner (3-shoe)
A23696A	A23696A	1	S	WRENCH- Spanner (6-shoe)
23717A	23717A	1	/P	PIN- Spanner clutch
2498201	2498201	1		BIT- Driver torx (clutch plate) 1/4 shank
2498202	2498202	1	/P	BIT- Driver torx (clutch plate) 5/16 shank
23846-2	238462	1		ANVIL- Bearing disassembling (back plate)
24304	24304	1		BIT- Pozidriv #2
22820-4	228204	1		COLLAR- Bearing installation
A-23965	A23965	1		JACKSCREW- Crankshaft
84035	84035	1		WASHER
A-23962	A23962	1		JACKSCREW- Bearing removal (back plate)
24006-1	240061	1		PLATE- Crankshaft alligning
23956	23956	1		PLUG- Bearing and seal installatlon (back plate)
23420	23420	1		PLUG- Bearing Installatlon
23955	23955	1		PLUG- Bearing Installatlon (conn. rod)
24302	24302	1		PLUG- Seal Installation (back plate)
23957	23957	1		PLUG- Seal Installation (crankcase)
A-24290	A24290	1	/P	PULLER- rotor
24306	24306	1	S	SHIM- Air gap (black)
23136-2A	231362A	1	/P	SLEEVE- Beangng and shaft installation
23972	23972	1		SLEEVE- Seal Installation (crankcase)
23971	23971	1		SLEEVE- Seal protection (crankcase)
A-22808	A22808	1	S	WRENCH- Comblnation
23528	23528	1		WRENCH- Hex socket (conn. rod)
24094	24094	1		WRENCH- Spark plug removal
A-94147	A94147	1		PULLER- Back plate
80095	80095	1	/P	SCREW- Hex cap (1)
81009	81009	1	/P	NUT- Hex (3)
23488-B	23488B	1		LOCTITE
57084-1	570841	1	/P	REEL- 250 ft. starting rope #5
A-94156-A	A94156A	1		KIT- Clutch conversion (3-shoe)
A-93680	A93680	1		KIT- Chain brake
70361-2	703612	1		COVER- Drivecase
70093B	70093B	1		SPRING
12290	12290	1		WASHER
70346	70346	1		BAND- Brake
12372-3	123723	1		LEVER- Brake band
67911	67911	1		PIN- Roll
78200-A	78200A	1		SCREW
82258	82258	1		SCREW- Pan hd. 1/4-20 x 5/8
A-12952	A12952	1		BRAKE- Lever w/guard
12955	12955	1		SCREW
81204	81204	1	/P	NUT
78290	78290	1		DECAL
A-95620	A95620	1		SPROCKET & DRUM
A-93682	A93682	1		BRACKET
93684	93684	1		RETAINER
80220-2	802202	1		SCREW- Fil hd. 8-32 x 7/8
A70790A	A70790A	1		SAFE-T-TIP (standard on units)
82335	82335	1	S	SCREW