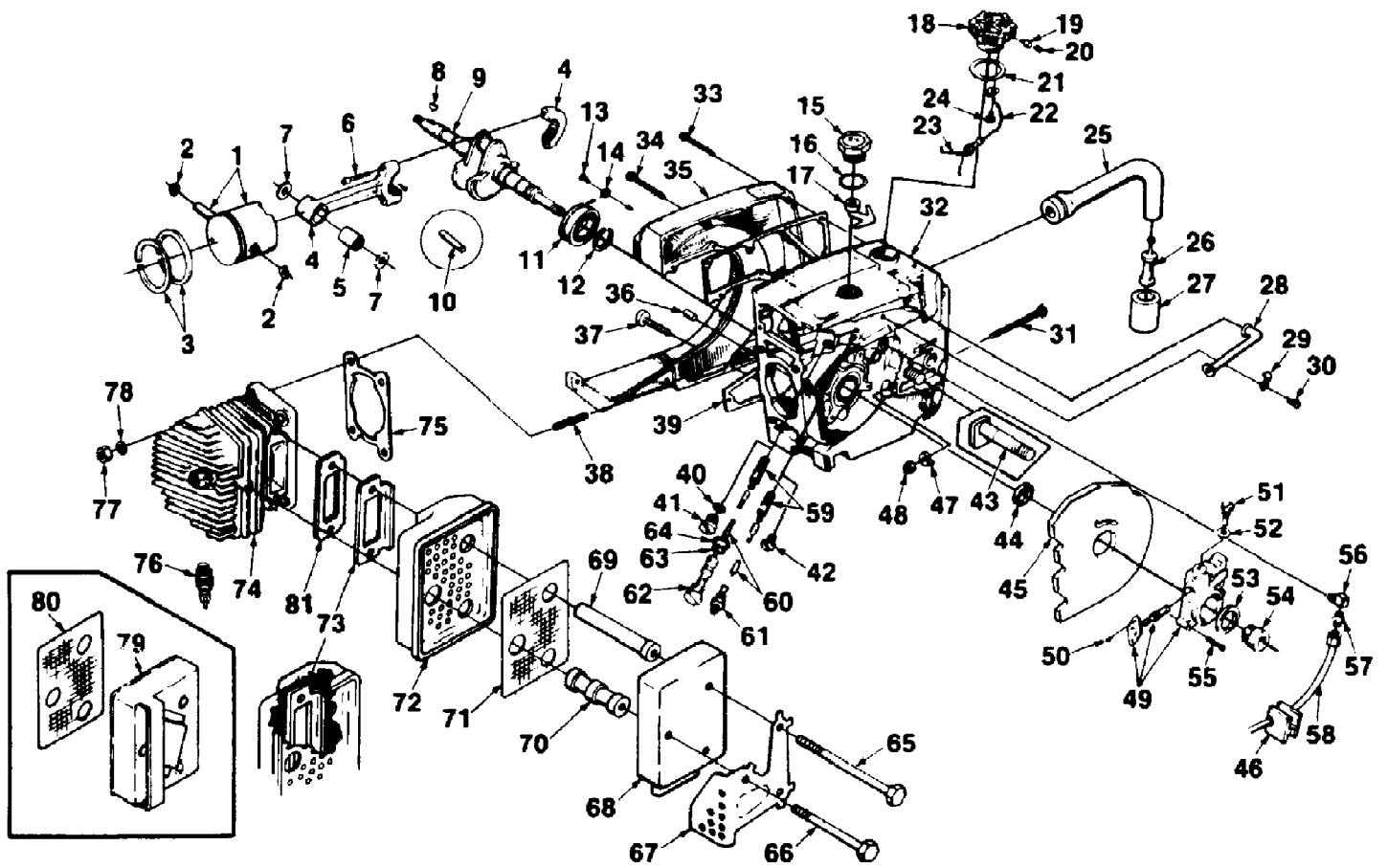


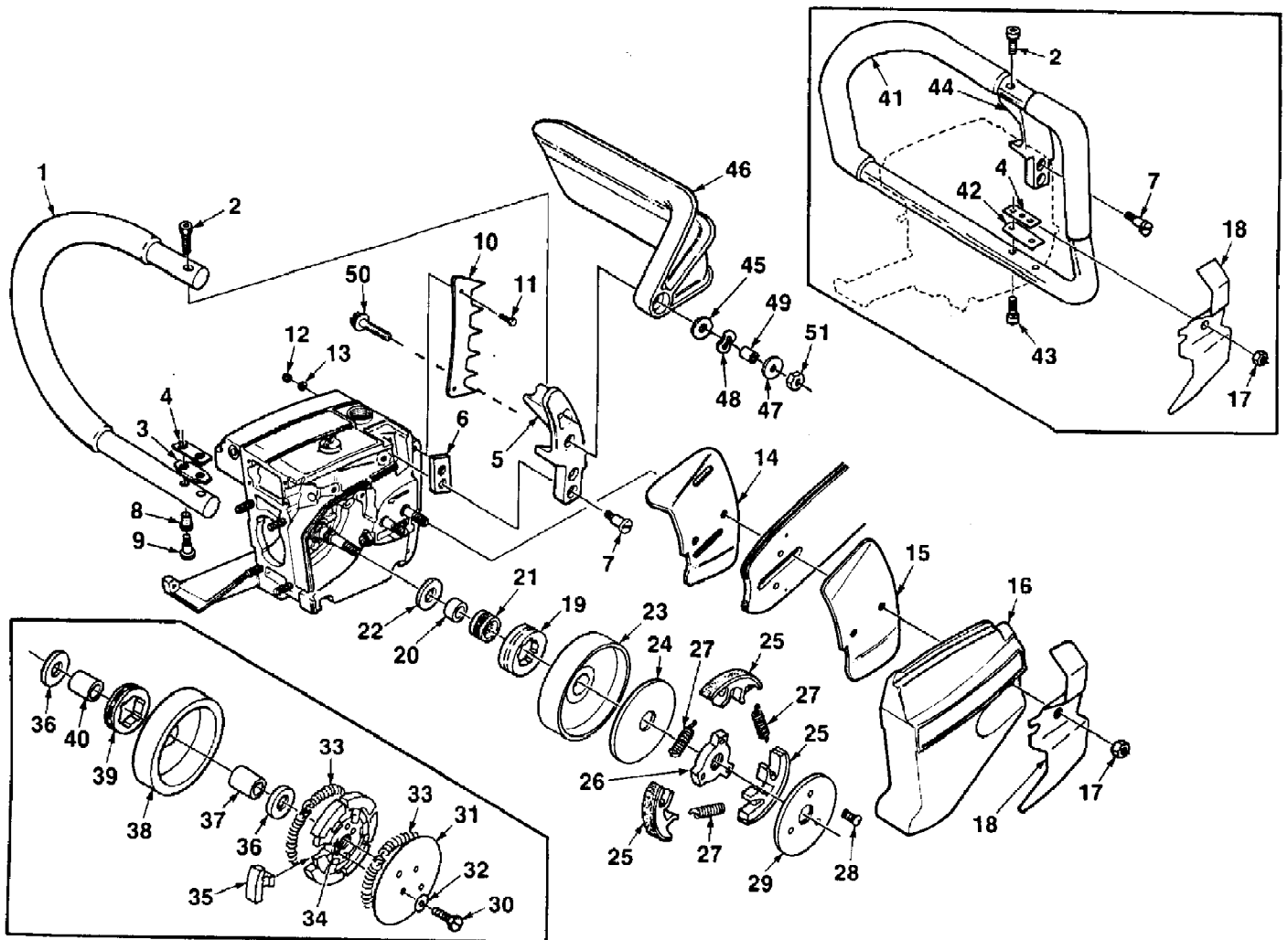
| Ref # | Part Number | Qty | S/P/F | Description |
|-------|-------------|-----|-------|-------------------------------|
| 1 | 63370A | 1 | /P | RETAINER- Reed valve |
| 2 | 63166A | 4 | | VALVE- Reed |
| 3 | 63371B | 1 | | SEAT- Reed valve |
| 4 | 65483 | 1 | | GASKET- Reed valve seat |
| 5 | A674601 | 1 | | MANIFOLD- Intake |
| 6 | 82174 | 2 | S | SCREW- Pan hd., 8-32 x 1 1/4 |
| 7 | 82173 | 1 | S | SCREW- Pan hd., 8-32 x 1 |
| 8 | 67540 | 1 | | GASKET- Carburetor |
| 9 | A69812A | 1 | S | CARBURETOR |
| 10 | 69751 | 1 | | GROMMET- Hi-Lo |
| 11 | 83046 | 2 | | WASHER- Lock #10 |
| 12 | 82179 | 2 | | SCREW- Hex hd. 10-32 x 1 7/8 |
| 13 | 63266A | 1 | | ROD- Throttle |
| 14 | 58348 | 1 | | BOOT- Throttle rod |
| 15 | A67639 | 1 | | NUT- Cover mounting |
| 16 | A694142 | 1 | | COVER- Air filter element |
| 17 | 58319A | 1 | /P | RING- Retaining |
| 18 | 69880 | 1 | | FILTER ELEMENT- Air |
| 19 | 80821 | 1 | /P | SCREW- Hex hd. 12-24 x 1/2 |
| 20 | A67101A | 1 | | BRACKET- Air filter |
| 21 | 583921 | 1 | | GASKET- Mounting nut |
| 22 | 70189 | 1 | | DEFLECTOR- Air |
| 23 | 95671 | 1 | S | PIN- Throttle latch |
| 24 | 58405 | 1 | | SPRING- Throttle latch |
| 25 | 58409 | 1 | /P | RING- Retaining |
| 26 | 65745 | 1 | | TRIGGER- Throttle |
| 27 | 65719 | 1 | | PIN- Throttle latch adjusting |
| 28 | 86324 | 1 | /P | PIN- Cotter |
| 29 | A68429 | 1 | S | ROD- Choke |
| 30 | 64862 | 1 | /P | GROMMET |
| 31 | A68025D | 1 | /P | HANDLE- Throttle |
| | 68445 | 1 | | BUSHING (not shown) |
| 32 | 68767 | 1 | | GRIP- Throttle handle |
| 33 | 68768 | 1 | /P | GRIP- Throttle handle cover |
| 34 | 80560 | 2 | /P | SCREW- Pan hd. 8-32 x 1/2 |
| 35 | A69045 | 1 | /P | COVER- Throttle handle |
| | 59064 | 1 | | BUSHING- Nylon (not shown) |
| 36 | 68046 | 1 | | GROMMET- Fuel line |
| 37 | 65718B | 1 | S | LINE- Fuel |
| 38 | 63622 | 1 | | BUTTON- Oil pump plunger |
| 39 | A5783416 | 1 | | PLUNGER- Oil pump |
| 40 | 59074 | 1 | /P | "O" RING- Shaft |
| 41 | 74388 | 1 | S | "O" RING- Plunger |
| 42 | 59293 | 1 | /P | SPRING- Compression |
| 43 | 633435 | 1 | | BODY- Oil pump |
| 44 | 80568 | 2 | | SCREW- Hex hd. 3-32 x 7/8 |
| 45 | 80891 | 1 | /P | SCREW- Hex hd. 12-24 x 7/8 |
| 46 | 80676 | 4 | /P | SCREW- Hex hd. 12-24 x 5/8 |
| 47 | 63779C | 1 | | GASKET- Throttle handle |
| 48 | 637781 | 1 | | GASKET- Cylinder (Fig 2) |
| 49 | 800232 | 1 | | SCREW- Fil. hd. 8-32 x 5/8 |
| 50 | 656601 | 1 | | CLAMP- Oil line |
| 51 | A65705 | 1 | | LINE- Oil (intake) |

| Ref # | Part Number | Qty | S/P/F | Description |
|-------|-------------|-----|-------|---------------------------|
| 52 | 80571 | 4 | /P | SCREW- Pan hd. 6-32 x 3/8 |
| 53 | 81126 | 2 | | NUT- Lock 6-32 |
| 54 | 65357 | 1 | | GROMMET- Oil line |
| 55 | 655131 | 1 | | CLAMP- Oil line |
| 56 | A65682 | 1 | | LINE- Oil (discharge) |
| 57 | A65502 | 1 | | VALVE- Check |
| | 25527 | 1 | | BALL- (not shown) |
| 58 | A65515 | 1 | | VALVE- Check |
| | 25527 | 1 | | BALL- (not shown) |
| | 59022 | 1 | | SPRING- (not shown) |



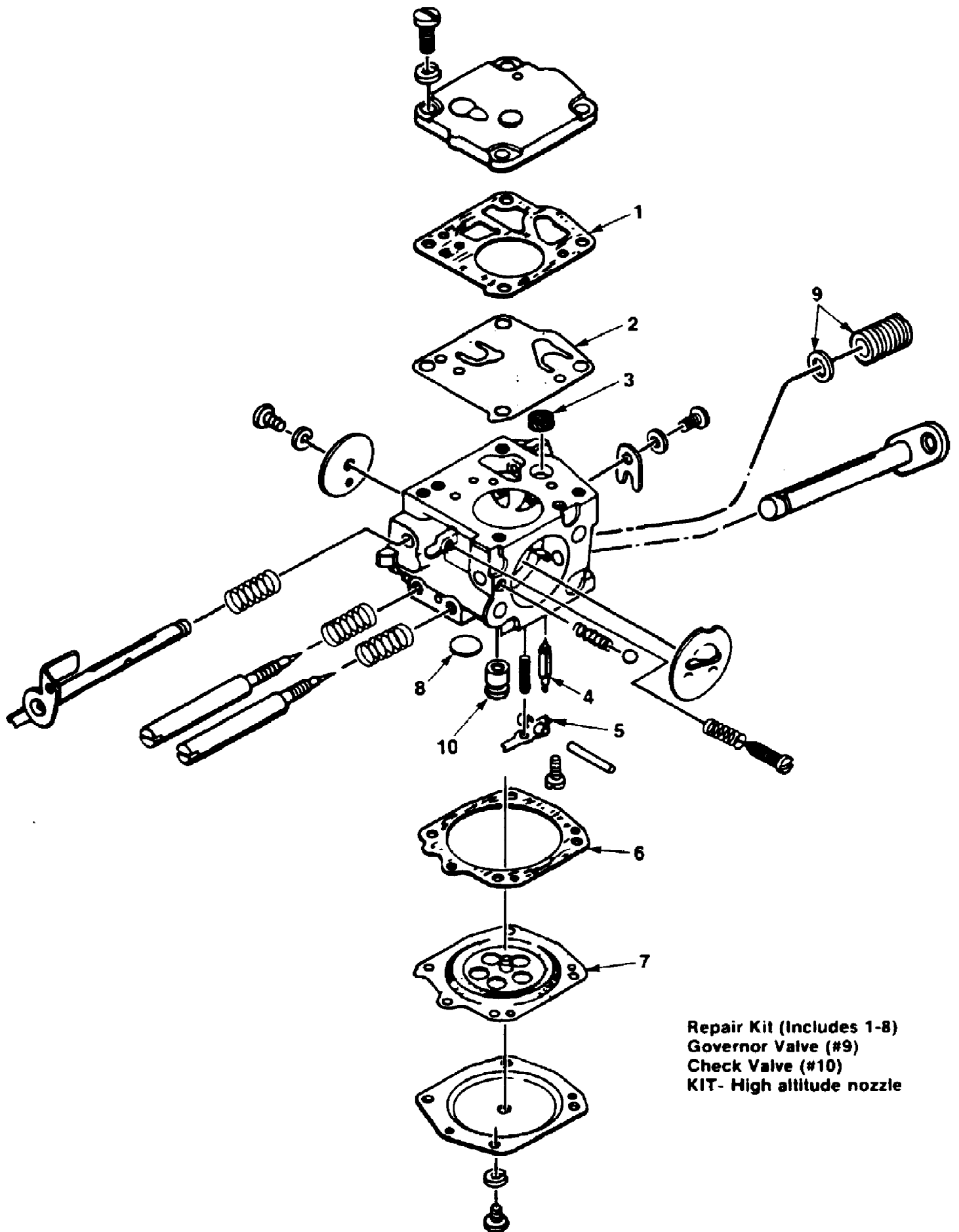
| Ref # | Part Number | Qty | S/P/F | Description |
|-------|-------------|-----|-------|------------------------------------|
| 1 | A69467 | 1 | | PISTON & PIN |
| 2 | 64742 | 2 | | RING- Piston pin retaining |
| 3 | 69452 | 2 | /P | PISTON RING |
| 4 | A69658A | 1 | /P | ROD- Connecting |
| 5 | 69638 | 1 | S | BEARING- Needle |
| 6 | 69919 | 2 | /P | SCREW- Soc hd. 8-32 x 9/16 |
| 7 | 68010 | 2 | | WASHER- Thrust |
| 8 | 75078 | 1 | | KEY- Woodruff |
| 9 | 671683 | 1 | | CRANKSHAFT |
| 10 | A69056 | 1 | /P | BEARING- Needle (set of 28) |
| 11 | 58190S | 1 | S | BEARING- Ball |
| 12 | 58319A | 1 | /P | RING- Retaining |
| 13 | 70306 | 2 | | SCREW- Bearing retaining |
| 14 | 59705 | 2 | | WASHER- Lock |
| 15 | A65284B | 1 | | CAP- Oil filler |
| 16 | 69834 | 1 | | GASKET- Oil cap |
| | 69451 | 1 | /P | VALVE- Check duck bill (not shown) |
| 17 | 68750 | 1 | | RETAINER |
| 18 | A69500A | 1 | S | CAP- Fuel filler |
| 19 | 69451 | 1 | /P | VALVE- Check (oval duckbill) |
| 20 | 69454 | 1 | /P | FILTER- Filler cap |
| 21 | 69501 | 1 | /P | GASKET- Fuel cap |
| 22 | 69502 | 1 | | CHAIN- Bead |
| 23 | 69503 | 1 | S | RETAINER |
| 24 | 82256 | 1 | S | SCREW- Pan hd., plastite 6 x 1/4 |
| 25 | 65593A | 1 | S | LINE- Fuel |
| 26 | A69923 | 1 | S | FILTER- Fuel |
| 27 | 64083 | 1 | | FILTER- Felt |
| 28 | 67080 | 1 | | CONNECTOR- Fuel line |
| 29 | 655971 | 1 | | CLAMP- Fuel line |
| 30 | 80605 | 1 | | SCREW- Pan hd. 6-32 x 5/16 |
| 31 | 63367 | 1 | | SCREW- Guide bar adjusting |
| 32 | A68023B | 1 | | CRANKCASE |
| | 65144 | 1 | | GASKET- Check valve (not shown) |
| | 65143 | 1 | | CAP- Check valve (not shown) |
| 33 | 82358 | 6 | | SCREW- Fil. hd., 8-32 x 5/8 |
| 34 | 95725 | 8 | | SCREW- Fil. hd., 8-32 x 2 3/16 |
| 35 | 671532 | 1 | | COVER- Fuel tank |
| 36 | 63621 | 1 | | PIN- Dowel |
| 37 | 82147 | 1 | /P | SCREW- Fil. hd. 8-32 x 1 3/4 |
| 38 | 55871 | 4 | S | STUD |
| 39 | 67159 | 1 | | GASKET- Fuel tank |
| 40 | 58138 | 1 | | WASHER |
| 41 | 63115 | 1 | | CAP- Oil pump |
| 42 | 28097 | 1 | | PLUG- Pipe |
| 43 | 67158 | 2 | | BOLT- Guide bar |
| 44 | 12282A | 1 | S | SEAL |
| 45 | A64715 | 1 | S | SHIELD- Sawdust |
| 46 | 65357 | 1 | | GROMMET- Oil line |
| 47 | 93039 | 1 | /P | PIN- Guide bar adjusting |
| 48 | 81204 | 1 | /P | NUT- Gripco |
| 49 | A68265A | 1 | S | PUMP- Automatic oil |
| 50 | 80919 | 2 | | SCREW- Pan hd. 4-40 x 1/4 |

| Ref # | Part Number | Qty | S/P/F | Description |
|-------|-------------|-----|-------|---|
| 51 | 64102A | 1 | | SCREW- Cam |
| 52 | 59736 | 1 | | GASKET- Cam screw |
| 53 | 59926 | 1 | S | SEAL- Felt |
| 54 | 59675 | 1 | | WORM- Gear |
| 55 | 82248 | 3 | | SCREW- Fil hd. 8-32 x 3/4 |
| 56 | 31734 | 1 | | CONNECTOR- Elbow |
| 57 | 65696 | 1 | | FITTING- Tube |
| 58 | A65682 | 1 | | LINE- Oil (discharge) |
| 59 | A64293 | 2 | | FILTER- Oil |
| 60 | 64356 | 2 | | LINE- Oil pick-up |
| 61 | 65695 | 1 | | CONNECTOR- Oil filter |
| 62 | 63452A | 1 | | TUBE- Oil line |
| 63 | 58406 | 1 | | "O" RING |
| 64 | 63751 | 1 | | GASKET- Oil line tube |
| | A69864C | 1 | /P | MUFFLER- Downdraft (complete) |
| 65 | 82280 | 2 | | SCREW- Hex hd. cap 1/4-20 x 3 |
| 66 | 95885 | 1 | | SCREW- Hex hd. 1/4-20 x 2 3/8 |
| 67 | 69842 | 1 | | SHIELD- muffler |
| 68 | A698361 | 1 | | CAP- Muffler (SXL-925) |
| 69 | 69843 | 2 | | SUPPORT- Muffler (long) |
| 70 | 69844 | 1 | | SUPPORT- Muffler (short) |
| 71 | A93900A | 1 | | SCREEN- Spark arrestor |
| 72 | A698381 | 1 | | BODY- Muffler |
| 73 | 69839 | 1 | | PLATE- Muffler body |
| 74 | A42206A | 1 | S | CYLINDER- 2 1/16" bore |
| 75 | 637781 | 1 | | GASKET- Cylinder |
| | 80402 | 3 | S | SCREW Hex hd. cap 1/4-20 x 5/8 (not shown) |
| 76 | 93561S | 1 | S | SPARK PLUG CJ-6Y Champion (after Lot #C-246) |
| 76 | 63547S | 1 | /P | SPARK PLUG- C-J6 Champion (prior to Lot #C-246) |
| | 69027S | 1 | /P | SPARK PLUG- C-J4 Champion (opt) (colder plug) |
| 77 | 810652 | 4 | S | NUT- Hex 1/4-28 |
| 78 | 83009 | 4 | /P | WASHER- Lock, 1/4 |
| 79 | A94119 | 1 | | KIT- Muffler temperature ("SXL-925W") |
| 80 | A93900A | 1 | | SPARK ARRESTOR |
| 81 | 78098 | 1 | | GASKET- Muffler |



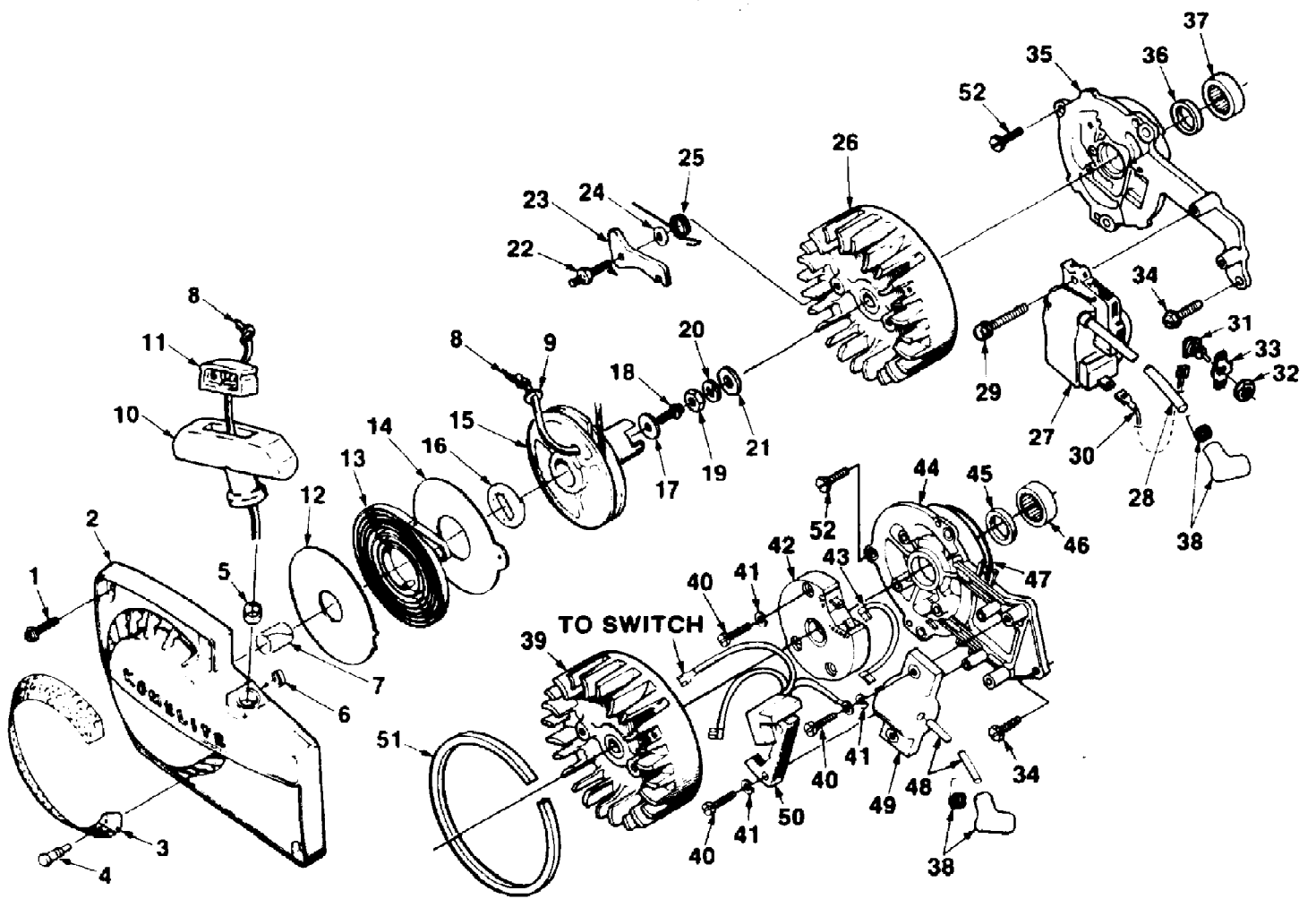
| Ref # | Part Number | Qty | S/P/F | Description |
|-------|-------------|-----|-------|--|
| 1 | A69034 | 1 | /P | HANDLE BAR- Flush cut (rubber cover) |
| 2 | 82259 | 1 | | SCREW- Fil, hd., 1/4-20 x 1 |
| 3 | 68765 | 1 | | SPACER- Handle bar |
| 4 | 65599 | 1 | | PLATE- Handle bar |
| 5 | A70289A | 1 | | BRACKET- Handle bar (flush cut) |
| 6 | 65598A | 1 | | PLATE- Handle bar bracket |
| 7 | 80867 | 2 | /P | SCREW- 12-24 x 3/4 |
| 8 | 65518 | 2 | | GROMMET- Handle bar |
| 9 | 65520 | 2 | | SCREW- Shoulder |
| 10 | A63720 | 1 | | KIT- Spiked bumper |
| 11 | 80867 | 2 | /P | SCREW- Hex hd., 12-24 x 3/4 |
| 12 | 81068 | 2 | /P | NUT- 12-24 |
| 13 | 83056 | 2 | | WASHER- Lock #12 |
| | A70618 | 1 | /P | GUIDE BAR PLATE |
| 14 | 70399 | 1 | S | PLATE- Guide bar (Inner) |
| 15 | 70400 | 1 | S | PLATE- Guide bar (outer) |
| 16 | 6715614 | 1 | | COVER- Drivecase |
| 17 | 810892 | 2 | /P | NUT- Hex 3/8-16 |
| 18 | 680781 | 1 | | GUARD- Chain (SXL-925W) |
| 19 | 63284 | 1 | | SPROCKET- 7 spline 7T-3/8 pitch 3 shoe clutch (SXL-925W) |
| 20 | 64129A | 1 | | RACE- Inner |
| 21 | 64124 | 1 | S | BEARING- Roller |
| 22 | 63462 | 1 | | WASHER- Thrust (inner) for rim sprocket only) |
| | 63463 | 1 | | WASHER- Thrust (inner) (for spur sprocket & drum) |
| 23 | A94117 | 1 | | DRUM 8. HUB (SXL-925W) |
| | A95631 | 1 | | SPROCKET & DRUM (for 3 shoe clutch) 3/8 7 tooth |
| 24 | 93650 | 1 | /P | WASHER- Thrust |
| 25 | A94126 | 3 | | SHOE- Clutch |
| 26 | 93811 | 1 | | SPIDER- Clutch |
| 27 | 93814A | 3 | S | SPRING- Clutch |
| 28 | 93126 | 3 | S | SCREW- Torx |
| | 82253 | 3 | /P | SCREW- Mach pan hd. 8-32 x 3/8" (alternate) |
| 29 | 93628 | 1 | /P | COVER- Clutch |
| 30 | 803612 | 2 | | SCREW- Hex hd., 10-32 x 1/2 (opt.) |
| 31 | A24921A | 1 | /P | COVER- Clutch (opt.) |
| 32 | 12940 | 2 | | WASHER- Belleville |
| 33 | 67441 | 2 | | SPRING- Clutch (opt.) |
| 34 | 657232A | 1 | | SPIDER- Clutch (opt.) |
| 35 | 697541 | 6 | | SHOE Clutch (opt.) |
| 36 | 63462 | 2 | | WASHER- Thrust |
| 37 | 64124 | 1 | S | BEARING- Roller |
| 38 | A65990 | 1 | | DRUM & HUB- Rim type (opt.) |
| 39 | 63284 | 1 | | SPROCKET- 3/8 pitch 7 tooth (opt.) |
| | 63285 | 1 | | 404 pitch 7 tooth (opt.) |
| 40 | 64129A | 1 | | RACE- Inner |
| | A94153 | 1 | | KIT- Handle- wrap-around (SXL-925W) |

| Ref # | Part Number | Qty | S/P/F | Description |
|-------|-------------|-----|-------|--|
| 41 | A784571T | 1 | /P | HANDLE BAR |
| | 680781 | 1 | | CHAIN GUARD (See Index #18) |
| 42 | 688981 | 1 | | SPACER |
| | 65599 | 1 | | PLATE (see Index #4) |
| 43 | 78117 | 2 | | SCREW- 1 4-20 x 1.125 |
| 44 | 687664C | 1 | | BRACKET- Handle bar |
| | 80867 | 2 | /P | SCREW- 12-24 x 3/4 (see Index #7) |
| | 65598A | 1 | | PLATE- Handle bar bracket (see index #6) |
| 45 | 840651 | 1 | S | WASHER |
| 46 | 95898 | 1 | F | HAND GUARD |
| 47 | 95935 | 1 | /P/F | WASHER |
| 48 | 96757 | 1 | F | WASHER |
| 49 | 95937 | 1 | F | SPACER |
| 50 | 80945 | 1 | | SCREW- Flat hd., 12-24 x 1 |
| 51 | 81225 | 1 | /P | NUT- Lock |
| | A65886 | 1 | | SPROCKET 8 DRUM 404 7 tooth |
| | A95620 | 1 | | SPROCKET 8 DRUM 3 8 7 tooth |
| | A65732 | 1 | | SPROCKET 8 DRUM 3 8 8 tooth |



Repair Kit (Includes 1-8)
Governor Valve (#9)
Check Valve (#10)
KIT- High altitude nozzle

| Ref # | Part Number | Qty | S/P/F | Description |
|-------|-------------|-----|-------|----------------------------|
| 1 | 95698 | 1 | /P | Repair Kit |
| 2 | 95698 | 1 | /P | Repair Kit |
| 3 | 95698 | 1 | /P | Repair Kit |
| 4 | 95698 | 1 | /P | Repair Kit |
| 5 | 95698 | 1 | /P | Repair Kit |
| 6 | 95698 | 1 | /P | Repair Kit |
| 7 | 95698 | 1 | /P | Repair Kit |
| 8 | 95698 | 1 | /P | Repair Kit |
| 9 | 70334 | 1 | | Governor Valve |
| 10 | 69793 | 1 | | Check Valve |
| | A69819 | 1 | | Kit - High altitude nozzle |



| Ref # | Part Number | Qty | S/P/F | Description |
|-------|-------------|-----|-------|--|
| 1 | 80676 | 4 | /P | SCREW- Hex hd. 12-24 x 5/8 |
| 2 | A64504C | 1 | S | HOUSING- Fan |
| 3 | A64421 | 1 | /P | SCREEN- Fan housing |
| 4 | 67191 | 4 | S | STUD- Drive |
| 5 | 67177 | 1 | | BUSHING- Starter rope |
| 6 | 64443 | 1 | /P | BUSHING- Starter post |
| 7 | 65830 | 1 | | BUSHING- Rewind spring |
| 8 | A93875 | 1 | S | ROPE- Starting |
| 9 | 93862 | 1 | /P | WASHER |
| 10 | A69962B | 1 | /P | GRIP- Starting rope |
| 11 | 70018A | 1 | /P | INSERT- Rope retaining |
| 12 | 63566 | 1 | | SHIELD- Spring (inner) |
| 13 | 63268A | 1 | | SPRING- Rewind |
| 14 | 63565A | 1 | | SHIELD- Spring (outer) |
| 15 | A64446 | 1 | /P | PULLEY- Rewind starter |
| 16 | 94827 | 1 | S | LOCK- Rewind spring |
| 17 | 58763 | 1 | | WASHER- Retaining |
| 18 | 80648 | 1 | /P | SCREW- Hex hd. 10-32 x 1/2 |
| 19 | 81124 | 1 | S | NUT- Hex 3/8-24 |
| 20 | 83102 | 1 | /P | WASHER- Lock 3/8 |
| 21 | 84010 | 1 | S | WASHER- Flat 3/8 |
| 22 | 58757E | 2 | /P | STUD- Pawl |
| 23 | 58756 | 2 | S | PAWL- Starter |
| 24 | 70901 | 2 | /P | WASHER- Lock #12 |
| 25 | 653752 | 2 | S | SPRING- Starter pawl |
| 26 | 96801 | 1 | S | ROTOR- Magneto |
| 27 | A96798 | 1 | S | MODULE- Ignition |
| 28 | 96743 | 1 | | LEAD- High tension |
| 29 | 88044 | 2 | | SCREW- Sems hex hd. |
| 30 | A94850 | 1 | /P | LEAD- Ground |
| 31 | A576503A | 1 | S | SWITCH- Toggle |
| 32 | 72084A1 | 1 | S | NUT |
| 33 | 12793A | 1 | S | PLATE- Indicating |
| 34 | 802181 | 1 | S | SCREW- 1/4-20 |
| 35 | A96799 | 1 | S | PLATE- Back |
| 36 | 12282A | 1 | S | SEAL |
| 37 | 63195 | 1 | | BEARING |
| 38 | A33055 | 1 | /P | TERMINAL- Spark plug |
| 39 | A02480 | 1 | /P | ROTOR- Magneto (prior to lot #C-246) |
| 40 | 82178 | 7 | | SCREW- Pan 8-32 x 3/4 (prior to lot #C-246) |
| 41 | 83022 | 7 | | WASHER- Lock #8 (prior to lot #C-246) |
| 42 | 67162 | 1 | | MODULE- Ignition (prior to lot #C-246) |
| 43 | 67167 | 1 | | LEAD- Transformer (prior to lot #C-246) |
| 44 | A67618A | 1 | | PLATE- Back (prior to lot #C-246) |
| 45 | 12282A | 1 | S | SEAL |
| 46 | 63195 | 1 | | BEARING- Roller |
| 47 | 67559 | 1 | | "O" RING |
| 48 | 67166 | 1 | | LEAD- High tension (prior to lot #C-246) |
| 49 | 67164A | 1 | S | COIL- Transformer (prior to lot #C-246) |
| 50 | 67163 | 1 | | COIL- Core and generator (prior to lot #C-246) |
| 51 | 67409 | 1 | | RING- Air flow (until lot #7045 only) |
| 52 | 80048 | 3 | S | SCREW- Hex cap 1/4-20 x 5/8 |

TOOLS

| | |
|--|-----------|
| WRENCH- Spanner (3-shoe) | A-17146 |
| WRENCH- Spanner (6-shoe) | A-23696-A |
| Includes: | |
| PIN- Spanner clutch | 23717-A |
| BIT- Driver torx (clutch plate) 1/4 shank | 24982-01 |
| BIT- Driver torx (clutch plate) 5/16 shank | 24982-02 |
| ANVIL- Bearing disassembling (back plate) | 23846-2 |
| BIT- Pozidriv #2 | 24304 |
| COLLAR- Bearing installation | 22820-4 |
| JACKSCREW- Crankshaft | A-23965 |
| Includes | |
| WASHER | 84035 |
| JACKSCREW- Bearing removal (back plate) | A-23962 |
| PLATE- Crankshaft aligning | 24006-1 |
| PLUG- Bearing and seal installation (back plate) | 23956 |
| PLUG- Bearing installation | 23420 |
| PLUG- Bearing installation (conn. rod) | 23955 |
| PLUG- Seal installation (back plate) | 24302 |
| PLUG- Seal installation (crankcase) | 23957 |
| PULLER- rotor | A-24290 |
| SHIM- Air gap (black) | 24306 |
| SLEEVE- Bearing and shaft installation | 23136-2A |
| SLEEVE- Seal installation (crankcase) | 23972 |
| SLEEVE- Seal protection (crankcase) | 23971 |
| WRENCH- Combination | A-22808 |
| WRENCH- Hex socket (conn. rod) | 23528 |
| WRENCH- Spark plug removal | 24094 |
| PULLER- Back plate | A-94147 |
| Includes | |
| SCREW- Hex cap (1) | 80095 |
| NUT- Hex (3) | 81009 |

ACCESSORIES

| | |
|---------------------------------|-----------|
| LOCTITE | 23488-B |
| REEL- 250 ft. starting rope #5 | 57084-1 |
| KIT- Clutch conversion (3-shoe) | A-94156-A |
| KIT- Chain brake | A-93680 |
| Includes | |
| COVER- Drivecase | 70361-2 |
| SPRING | 70093-B |
| WASHER | 12290 |
| BAND- Brake | 70346 |
| LEVER- Brake band | 12372-3 |
| PIN- Roll | 67911 |
| SCREW | 78200-A |
| SCREW- Pan hd 1/4-20 x 5/8 | 82258 |
| BRAKE- Lever w. guard | A-12952 |
| SCREW | 12955 |
| NUT | 81204 |
| DECAL | 78290 |
| SPROCKET & DRUM | A-95620 |
| BRACKET | A-93682 |
| RETAINER | 93684 |
| SCREW- Fil hd 8-32 x 7/8 | 80220-2 |
| SAFE•T•TIP (Standard on units) | A-70790-A |
| Includes | |
| SCREW | 82335 |

| Ref # | Part Number | Qty | S/P/F | Description |
|-----------|-------------|-----|-------|--|
| A-17146 | A17146 | 1 | S | WRENCH- Spanner (3-shoe) |
| A23696A | A23696A | 1 | S | WRENCH- Spanner (6-shoe) |
| 23717A | 23717A | 1 | /P | PIN- Spanner clutch |
| 2498201 | 2498201 | 1 | | BIT- Driver torx (clutch plate) 1/4 shank |
| 2498202 | 2498202 | 1 | /P | BIT- Driver torx (clutch plate) 5/16 shank |
| 23846-2 | 238462 | 1 | | ANVIL- Bearing disassembling (back plate) |
| 24304 | 24304 | 1 | | BIT- Pozidriv #2 |
| 22820-4 | 228204 | 1 | | COLLAR- Bearing installation |
| A-23965 | A23965 | 1 | | JACKSCREW- Crankshaft |
| 84035 | 84035 | 1 | | WASHER |
| A-23962 | A23962 | 1 | | JACKSCREW- Bearing removal (back plate) |
| 24006-1 | 240061 | 1 | | PLATE- Crankshaft alligning |
| 23956 | 23956 | 1 | | PLUG- Bearing and seal installatlon (back plate) |
| 23420 | 23420 | 1 | | PLUG- Bearing Installatlon |
| 23955 | 23955 | 1 | | PLUG- Bearing Installatlon (conn. rod) |
| 24302 | 24302 | 1 | | PLUG- Seal Installation (back plate) |
| 23957 | 23957 | 1 | | PLUG- Seal Installation (crankcase) |
| A-24290 | A24290 | 1 | /P | PULLER- rotor |
| 24306 | 24306 | 1 | S | SHIM- Air gap (black) |
| 23136-2A | 231362A | 1 | /P | SLEEVE- Beangng and shaft installation |
| 23972 | 23972 | 1 | | SLEEVE- Seal Installation (crankcase) |
| 23971 | 23971 | 1 | | SLEEVE- Seal protection (crankcase) |
| A-22808 | A22808 | 1 | S | WRENCH- Comblnation |
| 23528 | 23528 | 1 | | WRENCH- Hex socket (conn. rod) |
| 24094 | 24094 | 1 | | WRENCH- Spark plug removal |
| A-94147 | A94147 | 1 | | PULLER- Back plate |
| 80095 | 80095 | 1 | /P | SCREW- Hex cap (1) |
| 81009 | 81009 | 1 | /P | NUT- Hex (3) |
| 23488-B | 23488B | 1 | | LOCTITE |
| 57084-1 | 570841 | 1 | /P | REEL- 250 ft. starting rope #5 |
| A-94156-A | A94156A | 1 | | KIT- Clutch conversion (3-shoe) |
| A-93680 | A93680 | 1 | | KIT- Chain brake |
| 70361-2 | 703612 | 1 | | COVER- Drivecase |
| 70093B | 70093B | 1 | | SPRING |
| 12290 | 12290 | 1 | | WASHER |
| 70346 | 70346 | 1 | | BAND- Brake |
| 12372-3 | 123723 | 1 | | LEVER- Brake band |
| 67911 | 67911 | 1 | | PIN- Roll |
| 78200-A | 78200A | 1 | | SCREW |
| 82258 | 82258 | 1 | | SCREW- Pan hd. 1/4-20 x 5/8 |
| A-12952 | A12952 | 1 | | BRAKE- Lever w/guard |
| 12955 | 12955 | 1 | | SCREW |
| 81204 | 81204 | 1 | /P | NUT |
| 78290 | 78290 | 1 | | DECAL |
| A-95620 | A95620 | 1 | | SPROCKET & DRUM |
| A-93682 | A93682 | 1 | | BRACKET |
| 93684 | 93684 | 1 | | RETAINER |
| 80220-2 | 802202 | 1 | | SCREW- Fil hd. 8-32 x 7/8 |
| A70790A | A70790A | 1 | | SAFE-T-TIP (standard on units) |
| 82335 | 82335 | 1 | S | SCREW |